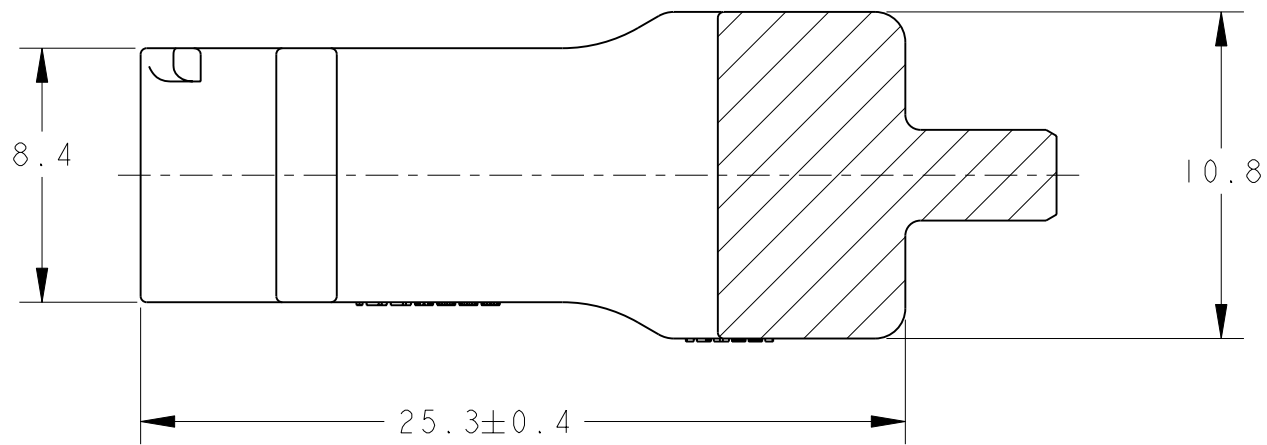
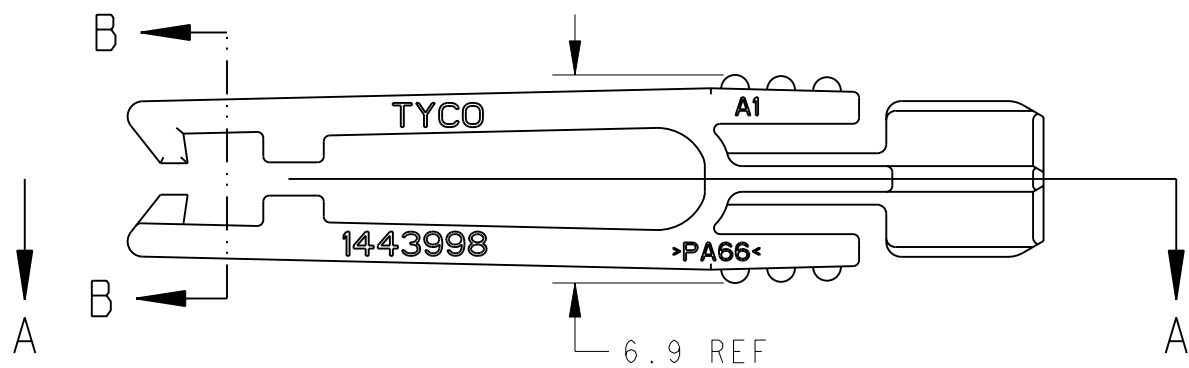


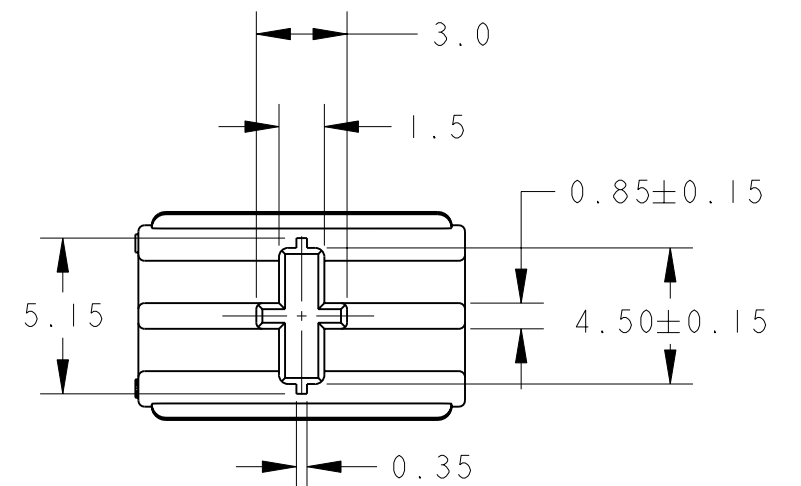
LOC	DIST	REVISIONS			
P	LTR	DESCRIPTION	DATE	DWN	APVD
HK	00	0	INITIAL RELEASE	17MAY2005	KB RM



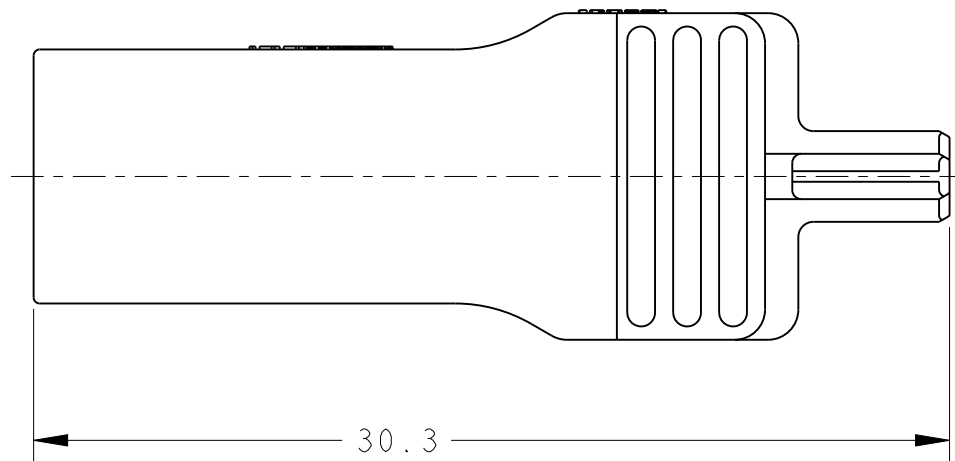
SECTION A-A



SECTION B-B



SCALE 4:1



△ MATERIAL: PA66, NATURAL

1443998-1
PART NUMBER

<small>THIS DRAWING IS A CONTROLLED DOCUMENT FOR TYCO ELECTRONICS CORPORATION IT IS SUBJECT TO CHANGE AND THE CONTROLLING ENGINEERING ORGANIZATION SHOULD BE CONTACTED FOR THE LATEST REVISION.</small>		DWN K. BOYD 17MAY2005 CHK K. BOYD 17MAY2005 APVD R. MCCRAW 17MAY2005		tyco Tyco Electronics Electronics Harrisburg, PA 17105-3608	
DIMENSIONS: mm		TOLERANCES UNLESS OTHERWISE SPECIFIED: 0 PLC ±0.5 1 PLC ±0.5 2 PLC ±0.2 3 PLC ±. 4 PLC ±. ANGLES ±-		NAME FUSE PULLER	
MATERIAL △		FINISH -		PRODUCT SPEC - APPLICATION SPEC - WEIGHT -	
		CUSTOMER DRAWING		SIZE A3	CAGE CODE 00779
		SCALE 2:1		DRAWING NO ©-1443998	RESTRICTED TO
		SHEET 1 OF 1		REV 0	