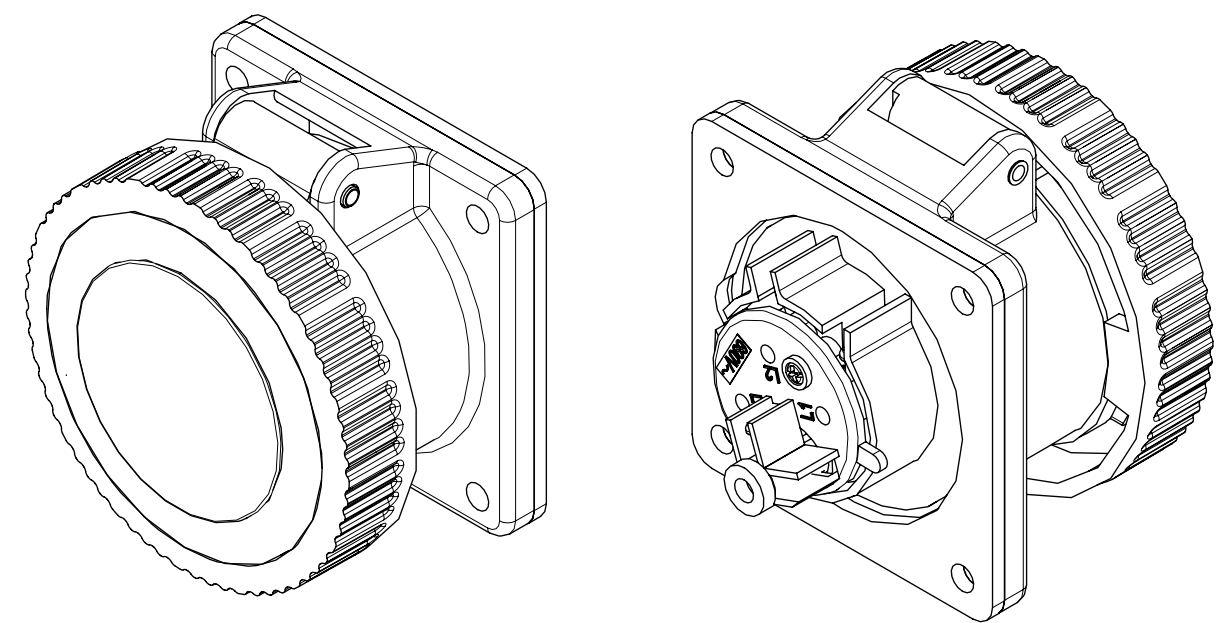
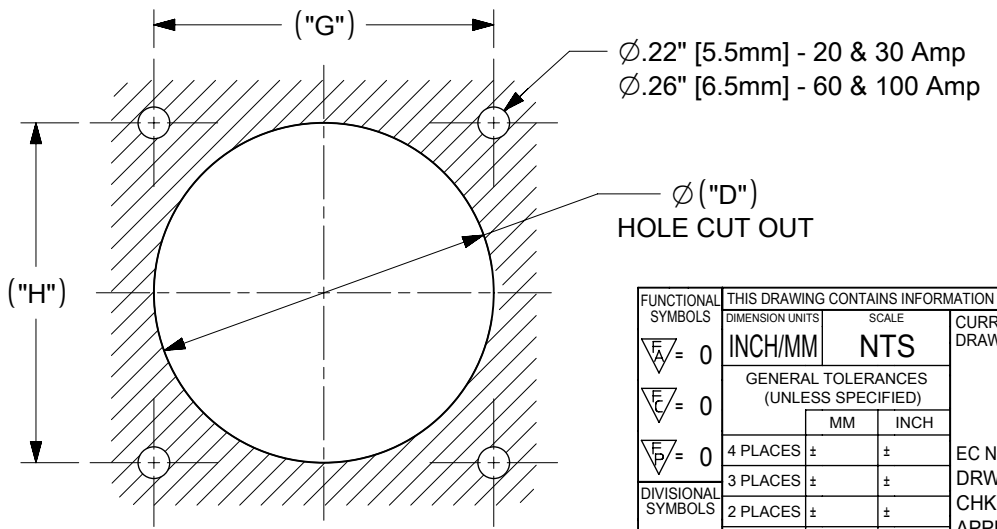
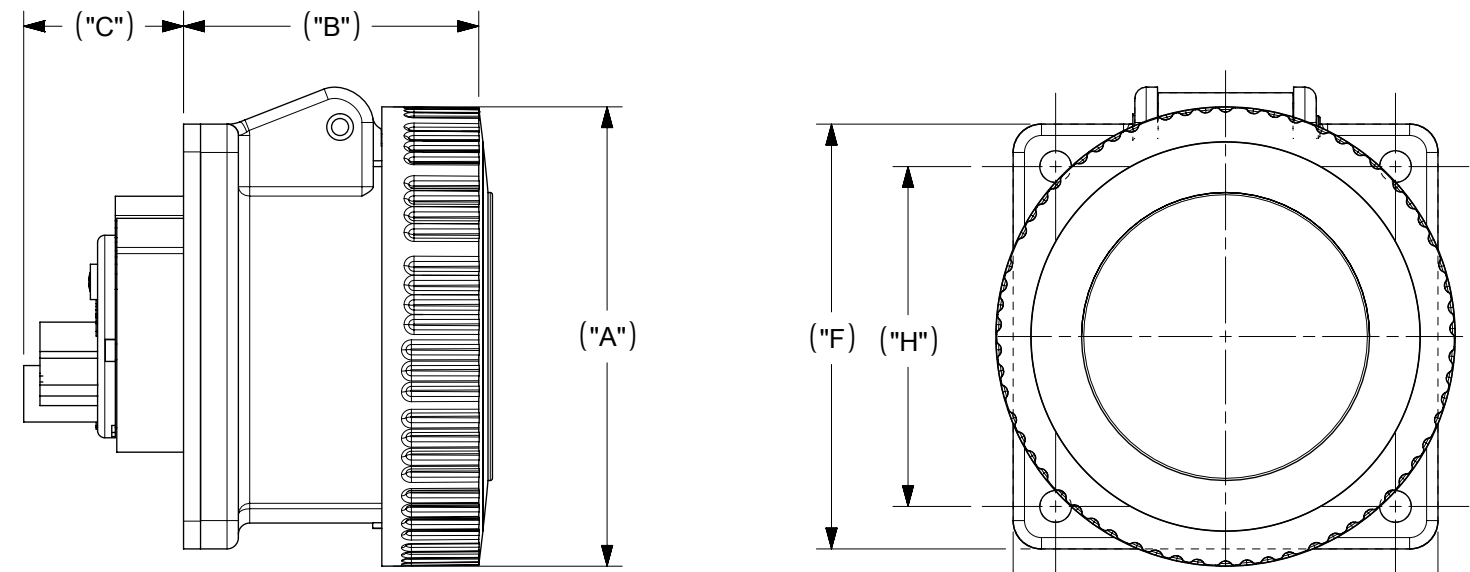


AMPS	TYPE	DIMENSIONS:							
		("A")	("B")	("C")	("D")	("E")	("F")	("G")	("H")
20	3 WIRE	2.82 [71.5]	2.05 [52.0]	1.10 [28.0]	1.81 [46.0]	2.44 [62.0]	2.44 [62.0]	1.85 [47.0]	1.85 [47.0]
20	4 WIRE	3.19 [81.0]	2.05 [52.0]	1.10 [28.0]	2.36 [60.0]	2.95 [75.0]	2.95 [75.0]	2.36 [60.0]	2.36 [60.0]
30	3 & 4 WIRE	3.78 [96.0]	2.56 [65.0]	1.06 [27.0]	2.36 [60.0]	2.95 [75.0]	2.95 [75.0]	2.36 [60.0]	2.36 [60.0]
60	3,4 & 5 WIRE	4.29 [109.0]	3.27 [83.0]	2.05 [52.0]	3.54 [90.0]	3.94 [100.0]	4.21 [107.0]	3.03 [77.0]	3.35 [85.0]
100	3,4 & 5 WIRE	5.12 [130.0]	3.78 [96.0]	2.52 [64.0]	3.54 [90.0]	4.49 [114.0]	4.49 [114.0]	3.54 [90.0]	3.54 [90.0]



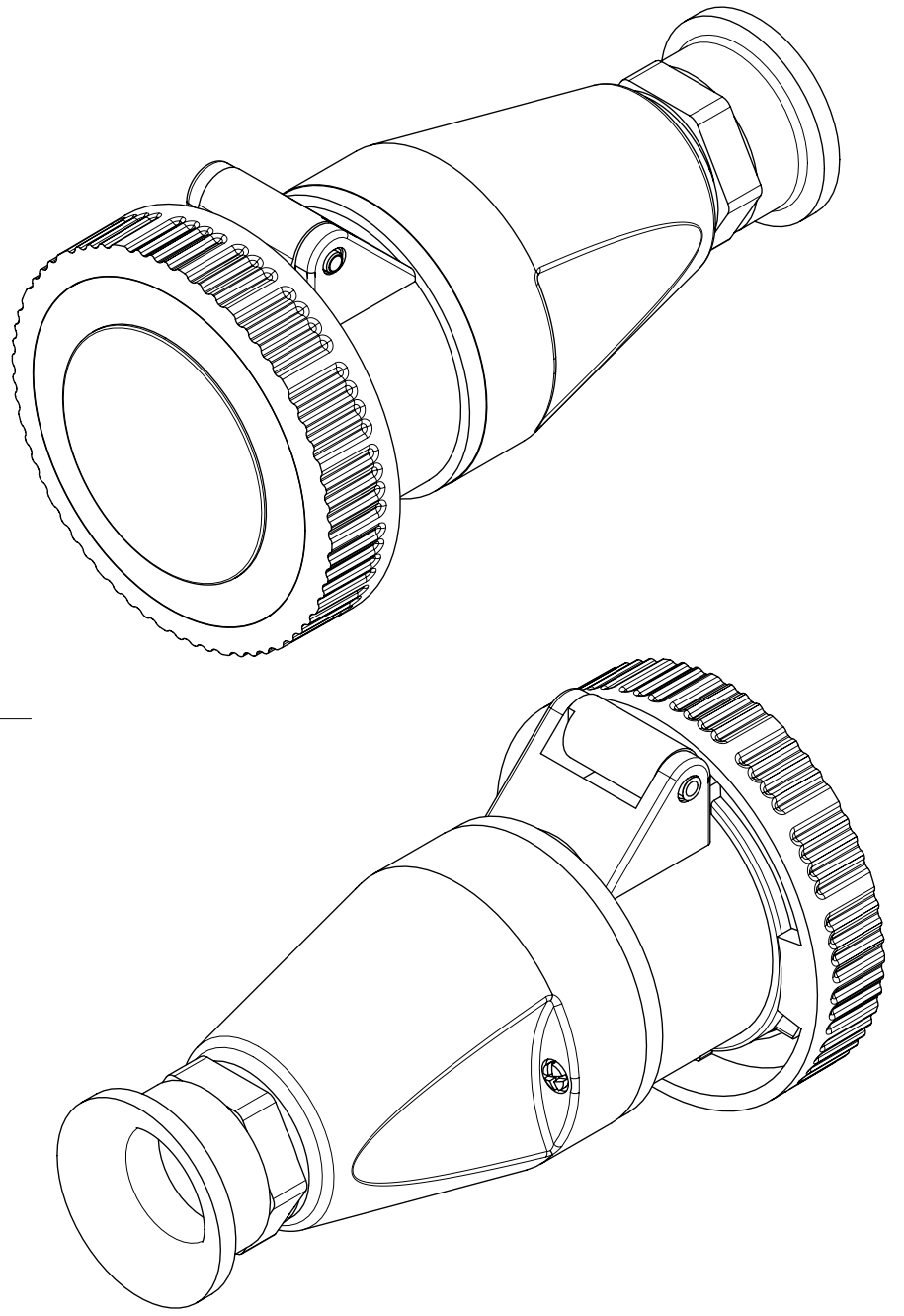
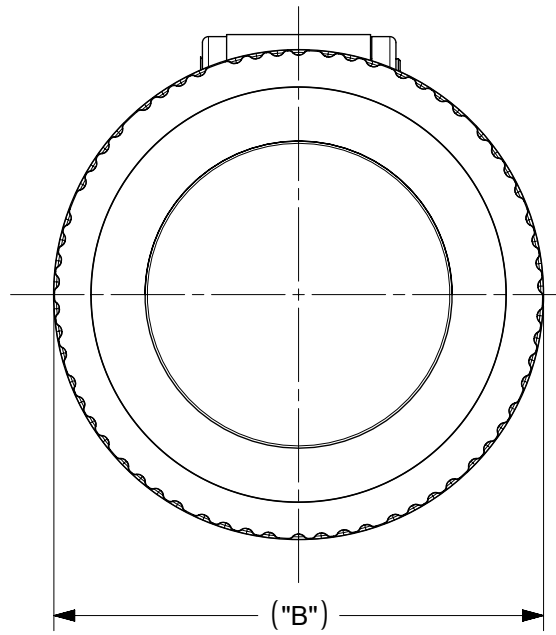
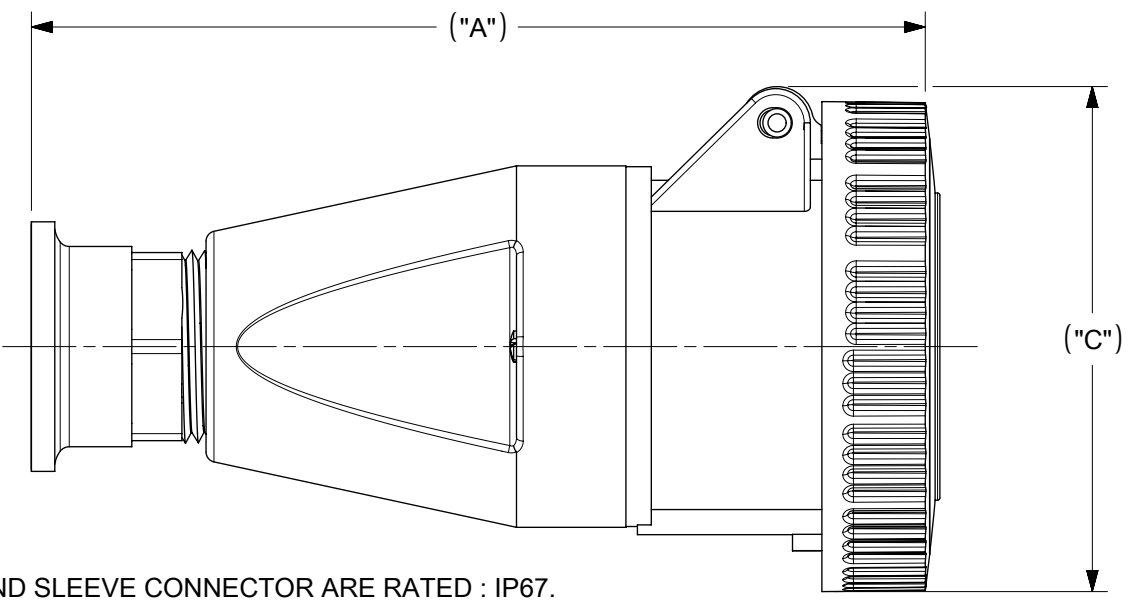
NOTES:
1. THE BELOW WATERTIGHT PIN AND SLEEVE RECPT. ARE RATED : IP67.



POLE/WIRE	AMPS	VOLTAGE	MATERIAL No.	ENGINEERING No.	COLOR
2-Pole/3-Wire	20	125	1301500057	320R4W	Yellow
		250	1301500059	320R6W	Blue
125/250		1301500144	420R12W	Orange	
3ø250		1301500150	420R9W	Blue	
3ø480		1301500148	420R7W	Red	
3ø600		1301500146	420R5W	Black	
3-Pole/4-Wire	30	3ø250	1301500179	430R9W	Blue
		3ø480	1301500177	430R7W	Red
		3ø600	1301500175	430R5W	Black
3-Pole/4-Wire	60	125/250	1301500207	460R12W	Orange
		3ø250	1301500213	460R9W	Blue
		3ø480	1301500211	460R7W	Red
3-Pole/4-Wire	100	3ø600	1301500209	460R5W	Black
		125/250	1301500116	4100R12W	Orange
		3ø250	1301500119	4100R9W	Blue
3-Pole/4-Wire	100	3ø480	1301500118	4100R7W	Red
		3ø600	1301500117	4100R5W	Black

FUNCTIONAL SYMBOLS	THIS DRAWING CONTAINS INFORMATION THAT IS PROPRIETARY TO MOLEX ELECTRONIC TECHNOLOGIES, LLC AND SHOULD NOT BE USED WITHOUT WRITTEN PERMISSION		CURRENT REV DESC: CREATING NEW SALES DRAWING	
	DIMENSION UNITS	SCALE		
$\nabla = 0$	INCH/MM	NTS		
$\nabla = 0$	GENERAL TOLERANCES (UNLESS SPECIFIED)			
$\nabla = 0$		MM	INCH	
DIVISIONAL SYMBOLS	4 PLACES	±	±	
	3 PLACES	±	±	
	2 PLACES	±	±	
	1 PLACE	±	±	
	0 PLACES	±	±	
	ANGULAR TOL	±	°	
DRAFT WHERE APPLICABLE MUST REMAIN WITHIN DIMENSIONS		THIRD ANGLE PROJECTION	DRAWING	SERIES
			B-SIZE	130150
EC NO: 66118		DRWN: DSOPPIN 2021/03/10		
CHK'D: VOU		2021/05/04		
APPR: HKNEELAND		2021/05/05		
INITIAL REVISION:				
DRWN: DRWN BY		0099/99/99		
APPR: APPR BY		0099/99/99		
DOCUMENT NUMBER		DOC TYPE	DOC PART	REVISION
1301500148		PSD	000	A
MATERIAL NUMBER		CUSTOMER		SHEET NUMBER
SEE TABLE		GENERAL MARKET		1 OF 1

AMPS	TYPE	DIMENSIONS:			CORD GRIP RANGE:
		("A")	("B")	("C")	
20	3 WIRE	5.35 [136.0]	2.83 [72.0]	3.07 [78.0]	.275 [7.0] - .530 [13.5]
20	4 WIRE	5.63 [143.0]	3.19 [81.0]	3.35 [85.0]	.395 [10.0] - .825 [21.0]
30	4 WIRE	6.97 [177.0]	3.78 [96.0]	3.78 [96.0]	.650 [16.5] - 1.10 [28.0]
60	3,4 & 5 WIRE	10.0 [255.0]	4.33 [110.0]	4.61 [117.0]	.650 [16.5] - 1.50 [38.0]
100	3,4 & 5 WIRE	13.1 [332.0]	5.12 [130.0]	5.12 [130.0]	.950 [24.0] - 1.90 [48.0]



NOTES:

1. THE BELOW WATERTIGHT PIN AND SLEEVE CONNECTOR ARE RATED : IP67.

POLE/WIRE	AMPS	VOLTAGE	MATERIAL No.	ENGINEERING No.	COLOR
2-Pole/3-Wire	20	125	1301500037	320C4W	Yellow
		250	1301500040	320C6W	Blue
3-Pole/4-Wire	20	125/250	1301500118	420C12W	Orange
		3ø250	1301500129	420C9W	Blue
		3ø480	1301500128	420C7W	Red
3-Pole/4-Wire	30	3ø600	1301500126	420C5W	Black
		3ø250	1301500160	430C9W	Blue
		3ø480	1301500158	430C7W	Red
3-Pole/4-Wire	60	3ø600	1301500156	430C5W	Black
		125/250	1301500186	460C12W	Orange
		3ø250	1301500192	460C9W	Blue
3-Pole/4-Wire	100	3ø480	1301500190	460C7W	Red
		3ø600	1301500188	460C5W	Black
		125/250	1301500105	4100C12W	Orange
		3ø250	1301500108	4100C9W	Blue
3-Pole/4-Wire	100	3ø480	1301500107	4100C7W	Red
		3ø600	1301500106	4100C5W	Black

FUNCTIONAL SYMBOLS	THIS DRAWING CONTAINS INFORMATION THAT IS PROPRIETARY TO MOLEX ELECTRONIC TECHNOLOGIES, LLC AND SHOULD NOT BE USED WITHOUT WRITTEN PERMISSION		CURRENT REV DESC: NEW SALES DRAWING CREATED	
	DIMENSION UNITS	SCALE	EC NO: 661118	
$\nabla = 0$	INCH/MM	NTS	DRWN: DSOPPIN	2021/04/14
$\nabla = 0$	GENERAL TOLERANCES (UNLESS SPECIFIED)		CHK'D: VOU	2021/05/04
$\nabla = 0$		MM	INCH	APPR: HKNEELAND
DIVISIONAL SYMBOLS	4 PLACES	±	±	2021/05/05
	3 PLACES	±	±	INITIAL REVISION:
	2 PLACES	±	±	DRWN: DRWN BY
	1 PLACE	±	±	APPR: APPR BY
	0 PLACES	±	±	0099/99/99
	ANGULAR TOL	±	°	0099/99/99
	DRAFT WHERE APPLICABLE MUST REMAIN WITHIN DIMENSIONS		THIRD ANGLE PROJECTION	DRAWING
				B-SIZE
			SERIES	130150
			MATERIAL NUMBER	SEE TABLE
			CUSTOMER	GENERAL MARKET
			DOC NUMBER	1301500158
			DOC TYPE	PSD
			DOC PART	000
			REVISION	A
			SHEET NUMBER	1 OF 1