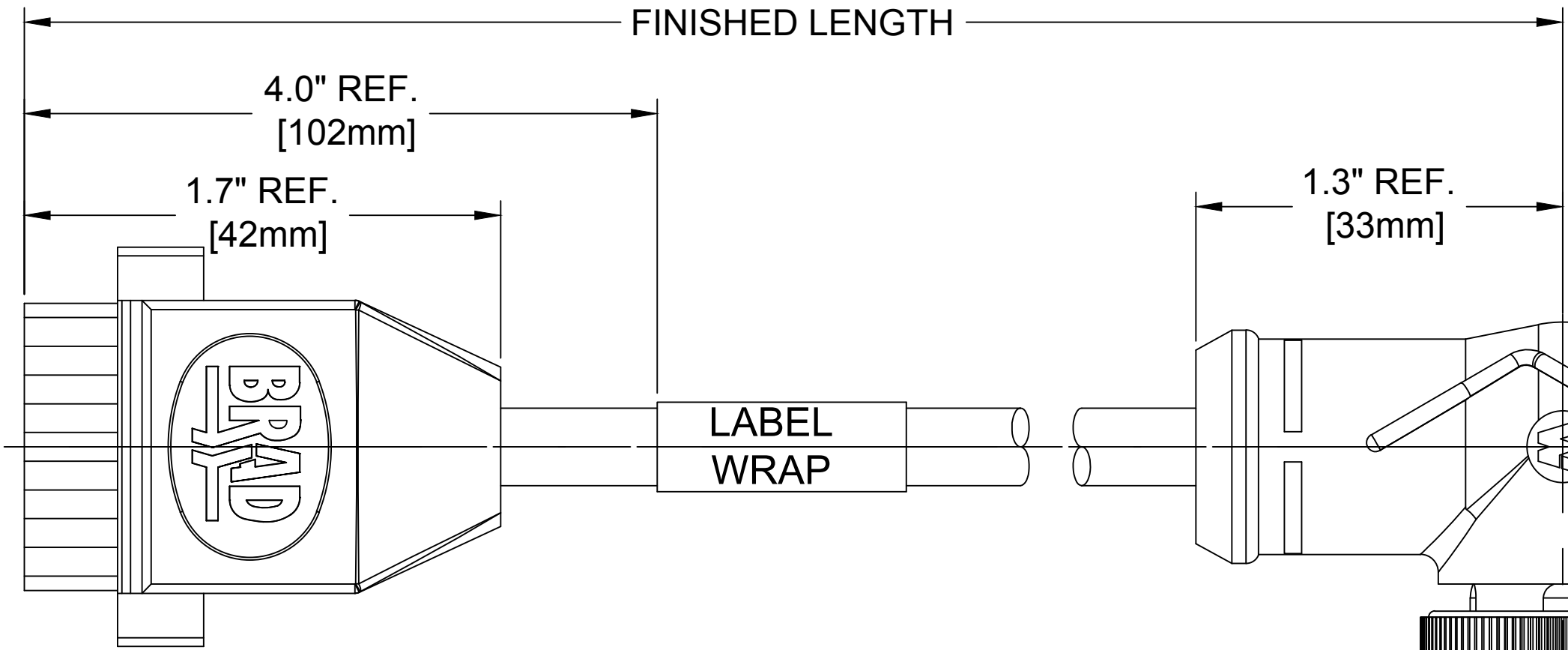
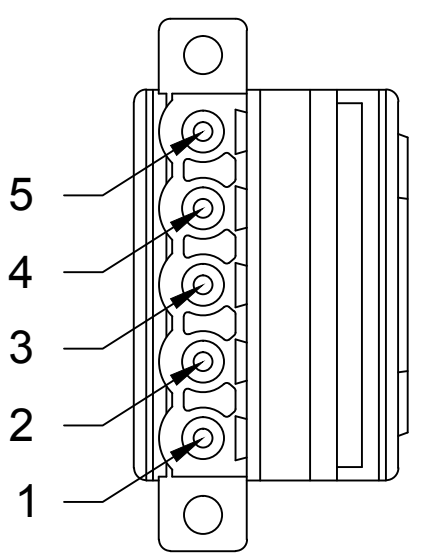


13	12	11	10	9	8	7	6	5	4	3	2	1
MATERIAL NUMBER		ENGINEERING NUMBER		FINISHED LENGTH								
1300390547		DNDF49A-M010		1M +55.6mm -0 [3.3FT +2.2IN -0]								

FEMALE FACE VIEW



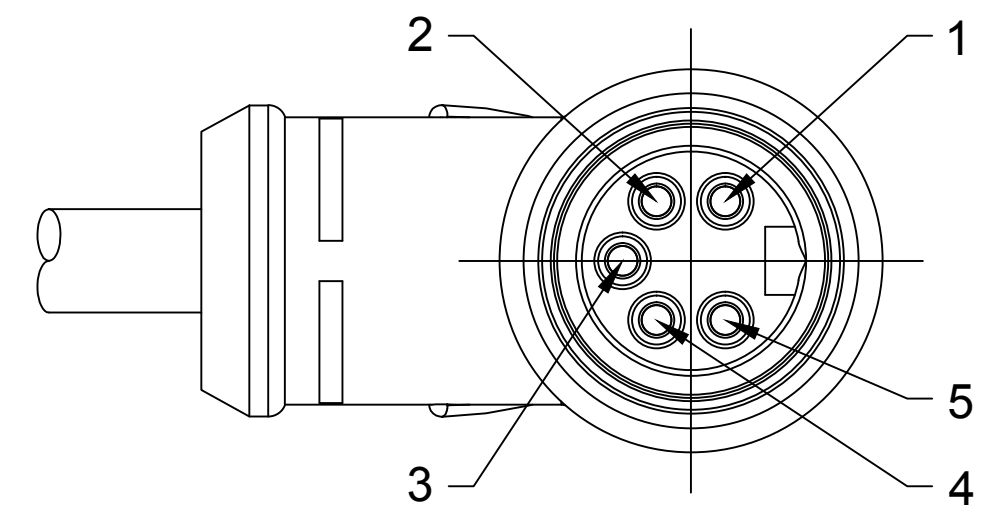
1.3" REF. [33mm]

1.9" REF. [47mm]

WIRING DIAGRAM



MALE FACE VIEW



SPECIFICATION DATA

ELECTRICAL DATA:
 MAX. VOLTAGE: 300 VAC
 MAX. CURRENT: 4 AMPS
 ENVIRONMENTAL:
 PROTECTION IP20
 TEMPERATURE RANGE: -20°C TO 80°C
 CERTIFICATIONS:
 cCSAus FILE: LR6837
 ASSEMBLY IS RoHS COMPLIANT.

LABEL	PLASTIC FILM	YELLOW
OVERMOLD	TPE	GRAY
COUPLING NUT	ZINC DIE-CAST	BLACK E-COAT
INSERT	PVC	GRAY
PIN CONTACT	COPPER ALLOY	GOLD PLATING
D-NET OPEN CONNECTOR	POLYAMIDE	GRAY
CABLE #22/2 & #24/2 + DRAIN	TPE JACKET	GRAY
DESCRIPTION	MATERIAL	FINISH

DNDF49A-M010

Cable type
DEVICENET (FLEX DROP)

cable length
M010----1 Meter
M100----10 Meter

RELEASE EC NO: IFC2014-0701 DRWN: GGUSTAFS 2013/10/17 CH'KD: BARDEN APPR: BWOODMAN2013/10/21 REV A	QUALITY SYMBOL	GENERAL TOLERANCES (UNLESS SPECIFIED)		DIMENSION STYLE	SCALE	DESIGN UNITS	THIRD ANGLE PROJECTION		
	▽=0	mm	INCH	IN/MM	NTS	INCH			
	∇=0	4 PLACES	±---	±---	DRAWN BY	DATE	TITLE		
		3 PLACES	±---	±.005	GGUSTAFS	2013/10/17	MC CORDSET TO OPEN 5P MA 90 TO OPEN DEVICENET FLEX DROP		
		2 PLACES	±0.13	±.010	CHECKED BY	DATE	BARDEN 2013/11/11		
	1 PLACE	±0.25	±.020	APPROVED BY	DATE	BWOODMAN 2013/10/21			
		ANGULAR ±.5°		MATERIAL NO.		DOCUMENT NO.		SHEET NO.	
		DRAFT WHERE APPLICABLE MUST REMAIN WITHIN DIMENSIONS		SEE CHART		SD-130039-060		1 OF 1	
				SIZE	THIS DRAWING CONTAINS INFORMATION THAT IS PROPRIETARY TO MOLEX INCORPORATED AND SHOULD NOT BE USED WITHOUT WRITTEN PERMISSION				
				C					