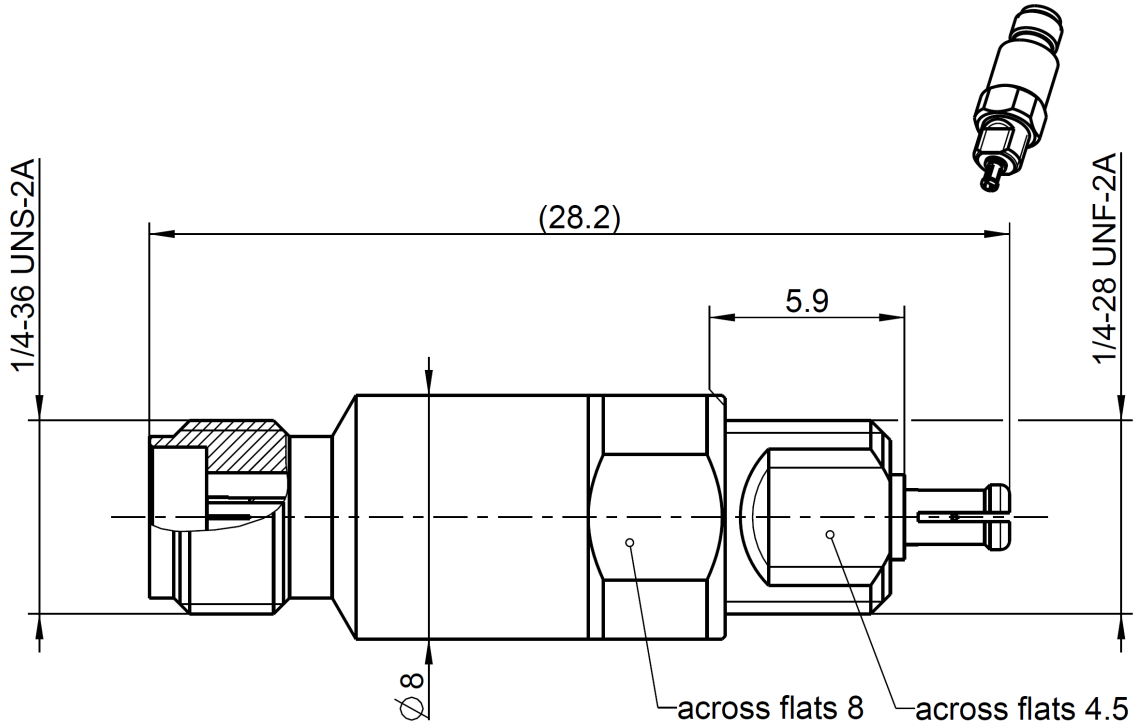


RPC-2.92 Adaptor  
RPC-2.92 JACK –  
Mini-Coax 40 GHz PLUG

**02K123-S00S3**



All dimensions are in mm; tolerances according to ISO 2768 m-H

**Interface**

According to IEC 61169-35  
Mechanically compatible with RPC-3.50 and SMA  
Mini-Coax according to Rosenberger Mini-Coax

**Documents**

N/A

**Material and plating**

**Connector parts**

Center contact CuBe  
Outer contact Mini-Coax CuBe  
Outer contact RPC-2.92 Stainless steel  
Dielectric 1 PS  
Dielectric 2 PTFE

**Plating**

Gold, min. 1.27  $\mu\text{m}$ , over chemical nickel  
Gold, min. 1.27  $\mu\text{m}$ , over chemical nickel  
Passivated

Dieses Dokument ist urheberrechtlich geschützt • This document is protected by copyright • Rosenberger Hochfrequenztechnik GmbH & Co. KG

RF\_35/05:10/6.0

RPC-2.92 Adaptor  
RPC-2.92 JACK –  
Mini-Coax 40 GHz PLUG

**02K123-S00S3**

**Electrical data**

Impedance 50 Ω  
 Frequency DC to 40 GHz  
 Return loss ≥ 26 dB, DC to 18 GHz  
 ≥ 21 dB, 18 GHz to 26.5 GHz  
 ≥ 15 dB, 26.5 GHz to 40 GHz  
 Insertion loss ≤ 0.04 x √f(GHz) dB  
 Insulation resistance ≥ 5 GΩ  
 Center contact resistance RPC-2.92 ≤ 3.0 mΩ  
 Outer contact resistance RPC-2.92 ≤ 2.0 mΩ  
 Center contact resistance Mini-Coax ≤ 10.0 mΩ  
 Outer contact resistance Mini-Coax ≤ 3.0 mΩ  
 Test voltage 750 V rms  
 Working voltage 250 V rms  
 RF-leakage ≥ 80 dB @ DC to 1 GHz  
 ≥ 60 dB @ 1GHz to 4 GHz

**Mechanical data**

Mating cycles ≥ 500  
 Center contact captivation ≥ 20 N  
 Coupling test torque RPC-2.92 1.70 Nm  
 Recommended torque RPC-2.92 0.80 Nm to 1.10 Nm  
 Mini-Coax  
 Engagement and disengagement force 1 N to 4 N

**Environmental data**

Temperature range -40°C to +85°C  
 Thermal shock MIL-STD-202, Method 107, Condition B  
 Corrosion MIL-STD-202, Method 101, Condition B  
 Vibration MIL-STD-202, Method 204, Condition D  
 Shock MIL-STD-202, Method 213, Condition I  
 Moisture resistance MIL-STD-202, Method 106  
 RoHS compliant

**Tooling**

N/A

**Weight**

Weight 7.1 g/pce

While the information has been carefully compiled to the best of our knowledge, nothing is intended as representation or warranty on our part and no statement herein shall be construed as recommendation to infringe existing patents. In the effort to improve our products, we reserve the right to make changes judged to be necessary.

Draft	Date	Approved	Date	Rev.	Engineering change number	Name	Date
Martin Moder	25.05.16	Martin Moder	29.05.19	b00	19-0918	A. Youmsi	29.05.19
Rosenberger Hochfrequenztechnik GmbH & Co. KG P.O.Box 1260 D-84526 Tittmoning Germany www.rosenberger.de					Tel. : +49 8684 18-0 Fax : +49 8684 18-499 Email : info@rosenberger.de		Page 2 / 2