



CONSWF001-SMD

Surface-Mount SWF RF Switch Connector

The CONSWF001-SMD is a surface-mount SWF RF switch connector designed primarily for use in diagnostic measurement between printed circuit board components.

Operating from 0 Hz to 6 GHz, the CONSWF001-SMD provides high isolation between ports for improved data accuracy and is designed for reflow-solder mounting directly to a printed circuit board for high-volume applications. Additionally, all Linx connectors meet RoHS lead free standards and are tested to meet requirements for corrosion resistance, vibration, mechanical and thermal shock.

FEATURES

- 0 Hz to 6 GHz operation
- Compact, low profile design
 - 2.6 mm x 2.5 mm x 1.5 mm
- Nickel plated copper-alloy housing
- Steel center contact
- Direct PCB attachment
- Reflow- or hand-solder assembly

APPLICATIONS

- Quality assurance, test and measurement
- Internet of Things (IoT) devices
- WiFi/WLAN/802.11
- Cellular IoT: LTE-M (Cat-M1) and NB-IoT
- Low-power, wide-area (LPWA) applications
 - LoRaWAN® ITU-T Y.4480, Sigfox®
- ISM applications
 - Bluetooth® ZigBee®

ELECTRICAL SPECIFICATIONS

Parameter	Value
Impedance	50 Ω
Frequency Range	0 Hz to 6 GHz
Dielectric Withstanding Voltage	300 V RMS
Max. Power Rating	2 W
Contact Resistance	Center: ≤ 120.0 mΩ Outer: ≤ 20.0 mΩ
Insertion Loss (dB max)	Port 1 (Input) to Port 2 (Output) = 0.8, Port 1 (Input) to RF switch = 1.7
VSWR (max)	Port 1 (Input) = 1.1, Port 2 (Output) = 1.1, RF switch = 1.2
Isolation (dB min)	Port 1 (Input) to Port 2 (Output) = 57.4

ORDERING INFORMATION

Part Number	Description
CONSWF001-SMD	Surface-mount SWF RF switch connector

Available from Linx Technologies and select distributors and representatives.

PRODUCT DIMENSIONS

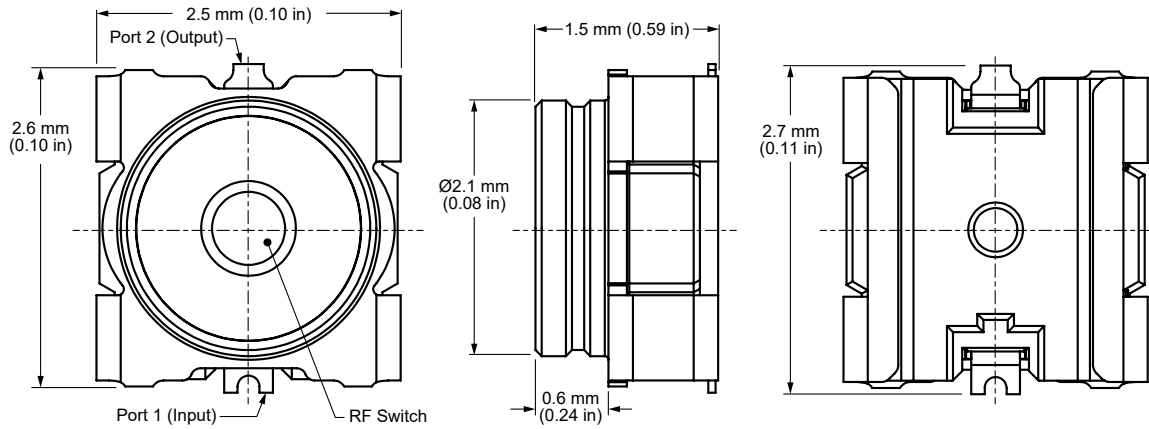


Figure 1. CONSWF001-SMD Antenna Dimensions

CONNECTOR COMPONENTS

Model	CONSWF001-SMD	
Connector Part	Material	Finish
Connector Body	Copper Alloy	Nickel
Signal Contacts (PCB)	SUS	Gold

RECOMMENDED PCB FOOTPRINT

Figure 2 shows the connectors recommended PCB footprint

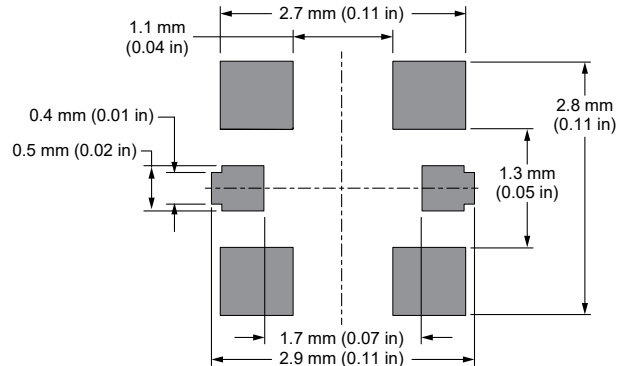


Figure 2. Recommended PCB Dimensions for the CONSWF001-SMD

INSERTION LOSS

Figure 3 shows the Insertion Loss for the CONSWF001-SMD connector. Insertion loss is the loss of signal power (gain) resulting from the insertion of a device in a transmission line.

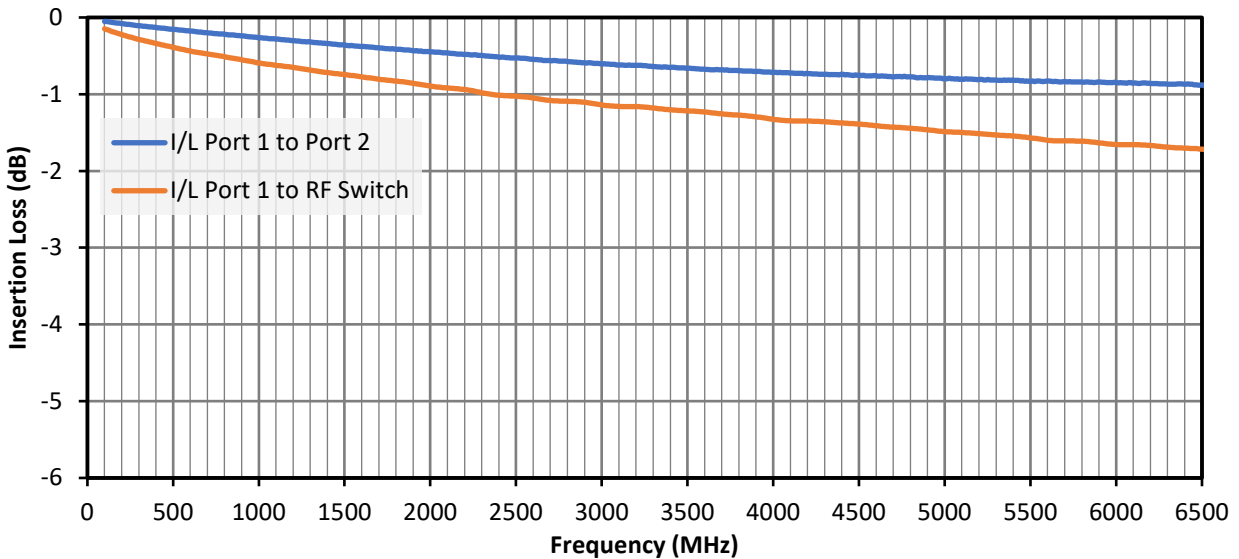


Figure 3. Insertion Loss for the CONSWF001-SMD Connector

VSWR

Figure 4 provides the voltage standing wave ratio (VSWR) across the adapter's bandwidth for the CONSWF001-SMD connector. VSWR describes how efficiently power is transmitted. A lower VSWR value indicates better performance at a given frequency.

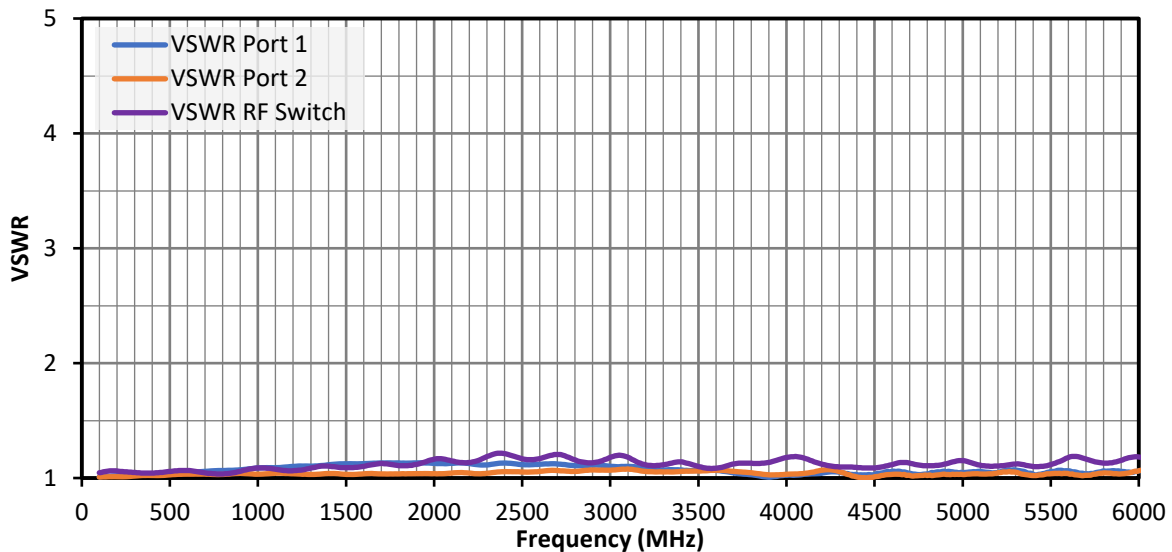


Figure 4. VSWR for the CONSWF001-SMD Connector

MECHANICAL SPECIFICATIONS

Model	CONSWF001-SMD
Mounting Type	PCB Surface-Mount
Fastening Type	Snap-on Coupling
Interface in Accordance with	IAW EIA 364
Connector Durability	500 cycles min.
Recommended torque	8.0 in. -lbs
Weight	0.01 g (0.0004 oz)

ENVIRONMENTAL SPECIFICATIONS

STD, Test Condition	
Corrosion (Salt spray)	EIA 364-26C
Thermal Shock	EIA 364-32G Method A, Condition I, Duration A
Vibration	EIA 364-28F Condition II
Mechanical Shock	EIA 364-27C Condition A
Temperature Range	-40 °C to +85 °C
Environmental Compliance	RoHS, REACH

REFLOW SOLDER PROFILE

Figure 5 shows the time and temperature data for reflow soldering the connector to a PCB.

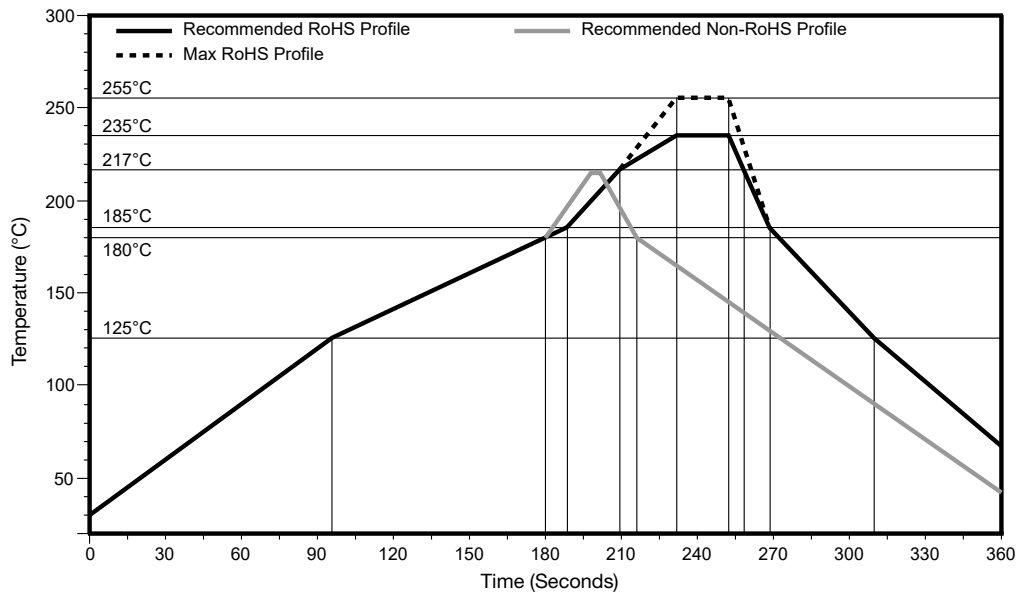


Figure 5. Recommended Reflow Solder Profile

PACKAGING INFORMATION

Figure 6 shows the tape dimensions for the CONSWF001-SMD connector. The reel specifications are provided in Figure 7.

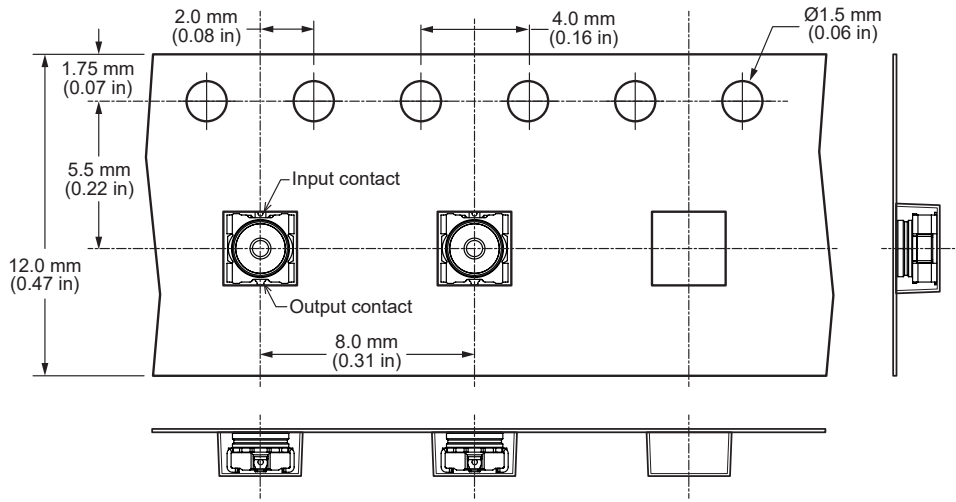
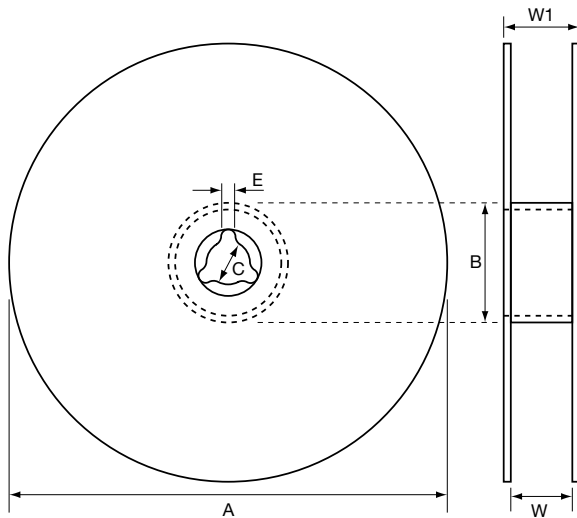


Figure 6. Tape Specifications for the CONSWF001-SMD Connector



Reel Dimensions		
Symbol	Qty	Unit
QTY per reel	1,000	pcs
Tape width	12.00	mm
A	Ø 330 ±1	mm
B	Ø 100 ±0.5	mm
C	Ø 13.00 ±0.2	mm
E	2.2 ±0.5	mm
W	12 ±0.5	mm
W1	16.4 ±0.2	mm

Figure 7. Reel Specifications for the CONSWF001-SMD Connector

TE TECHNICAL SUPPORT CENTER

USA:	+1 (800) 522-6752
Canada:	+1 (905) 475-6222
Mexico:	+52 (0) 55-1106-0800
Latin/S. America:	+54 (0) 11-4733-2200
Germany:	+49 (0) 6251-133-1999
UK:	+44 (0) 800-267666
France:	+33 (0) 1-3420-8686
Netherlands:	+31 (0) 73-6246-999
China:	+86 (0) 400-820-6015

te.com

TE Connectivity, TE, TE connectivity (logo), Linx and Linx Technologies are trademarks owned or licensed by the TE Connectivity Ltd. family of companies. All other logos, products and/or company names referred to herein might be trademarks of their respective owners.

The information given herein, including drawings, illustrations and schematics which are intended for illustration purposes only, is believed to be reliable. However, TE Connectivity makes no warranties as to its accuracy or completeness and disclaims any liability in connection with its use. TE Connectivity's obligations shall only be as set forth in TE Connectivity's Standard Terms and Conditions of Sale for this product and in no case will TE Connectivity be liable for any incidental, indirect or consequential damages arising out of the sale, resale, use or misuse of the product. Users of TE Connectivity products should make their own evaluation to determine the suitability of each such product for the specific application.

TE Connectivity warrants to the original end user customer of its products that its products are free from defects in material and workmanship. Subject to conditions and limitations TE Connectivity will, at its option, either repair or replace any part of its products that prove defective because of improper workmanship or materials. This limited warranty is in force for the useful lifetime of the original end product into which the TE Connectivity product is installed. Useful lifetime of the original end product may vary but is not warranted to exceed one (1) year from the original date of the end product purchase.

©2022 TE Connectivity. All Rights Reserved.

09/22 Original