



15.0" ~ 21.5" Hazardous Locations Fanless Panel PC with Intel® Core™ i5-6300U Processor



- CSA C1D2, C2D2, C3, ATEX / IECEx Zone 2, Zone 22 Certified for Use in Harsh Environments
- High Brightness Sunlight Readable 1000 Nits Optically Bonded TFT LCD (Available on 15" and 19" units)
- Extended Operating Temperature (-20~60°C)
- 316 Stainless Steel Chassis with IP66 Rating on All Sides
- Microsoft Windows® 10 IoT 2019 Operating System

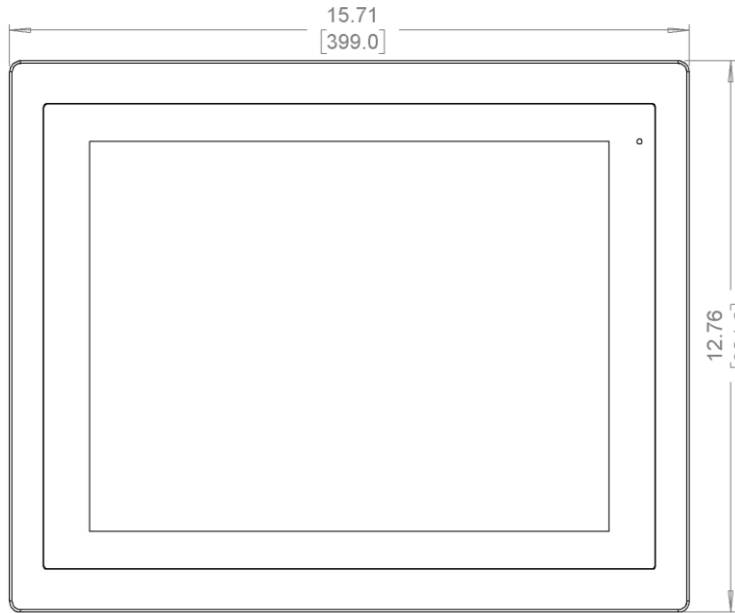
Extended Temperature
 316 Stainless Steel
 Class1Div2

| | | | | |
|-------------------------|--|---|--|--|
| System | CPU | Intel® Skylake Core™ i5-6300U 2.4GHz Dual-Core Processor | | |
| | System Chipset | SoC | | |
| | System Memory | 1 x DDR4 260-pin SO-DIMM 16 GB 2133 MHz | | |
| I/O Ports | Connector Type | M12, with waterproof cover and tether chain* | | |
| | USB | 1 x M12 8-pin for 2 x USB 2.0 type A* | | |
| | Serial | 1 x M12 8-pin for RS-232/422/485, DE-9, COM1 (default RS-232)* | | |
| | Audio | N/A | | |
| | Graphics | 1 x M12 12-pin for VGA* | | |
| | LAN | 2 x M12 8-pin for RJ-45* | | |
| | Power | 1 x M12 3-pin for DC power input (leads)* | | |
| | Remote Power Switch | N/A | | |
| Touch Screen | Type | Projected Capacitive | | |
| | Interface | USB (Internal) | | |
| | Light Transmission | 90+% | | |
| Display | Display Type | 15.0" XGA TFT LCD | 19.0" SXGA TFT LCD | 21.5" FHD LCD |
| | Max. Resolution | 1024 x 768 | 1280 x 1024 | 1920 x 1080 |
| | Max. Color | 262K | 16.7M | 16.7M |
| | Luminance (cd/m²) | 1000 | 1000 | 300 |
| | View Angle (H°/V°) | 160/140 | 170/160 | 178/178 |
| | Contrast Ratio | 800:1 | 1000:1 | 3000:1 |
| | Backlight Lifetime (hrs) | 50,000+ | 70,000+ | 50,000+ |
| Storage | Internal Storage Device | 1 x 256 GB 2.5" SATA III, MLC SSD 1 x 64 GB mSATA MLC SSD | | |
| | SD Card Slot | N/A | | |
| Electrical | Input Voltage | 9-36 VDC | 9-36 VDC | 9-36 VDC |
| | Input Current | 2.02-8.07 A | 2.59-10.34 A | 1.34-5.37 A |
| | Input Power (max.) | 72.6 W | 93.1 W | 48.3 W |
| Mechanical | Dimensions (W x H x D) | 15.71 x 12.76 x 2.76 inches [399 x 324 x 70 mm] | 18.50 x 15.30 x 2.95 inches [470 x 388.6 x 75 mm] | 22.48 x 14.25 x 2.96 inches [571 x 362 x 75.1 mm] |
| | Net Weight | Approx. 21.61 lbs [9.8 kg] | Approx. 27.12 lbs [12.3 kg] | Approx. 27.78 lbs [12.6 kg] |
| | Mounting | VESA 100 x 100 mm | | |
| | Construction | 316 Stainless Steel Chassis | | |
| Environmental | Operating Temperature | -4~140°F [-20~60°C] | | |
| | Storage Temperature | -22~158°F [-30~70°C] | | |
| | Relative Humidity | 10 to 95% @ 40°C, non-condensing | | |
| | Rating | IP66 | | |
| | Certifications | ATEX / IECEx Zone 2 Ex ec ic IIC T4 Gc ATEX / IECEx Zone 22 Ex tc IIIC T135°C Dc Class I Division 2 Group A, B, C, D, T4 Class II Division 2 Group F, G, T135°C Class III ANSI/ISA 12.12-01-2013 CSA Std. C22 No213-1987, C22.2 No.61010 CE / FCC Class A / RoHS | | |
| Operating System | Microsoft Windows | Microsoft Windows® 10 IoT Enterprise 2019 LTSC 64-bit (PKEA) | | |
| Notes | * AEX units come provided with the following I/O cables; M12 waterproof connectors for PC side, other end of I/O cable is corresponding specified connector type: <ul style="list-style-type: none"> • 1x DE-9 • 1x VGA • 1x USB 2.0 Type A • 2x RJ-45 | | | |
| | I/O cable length: 10', Power cable length: 15' Specifications subject to change without notice. | | | |

AEx-915APH

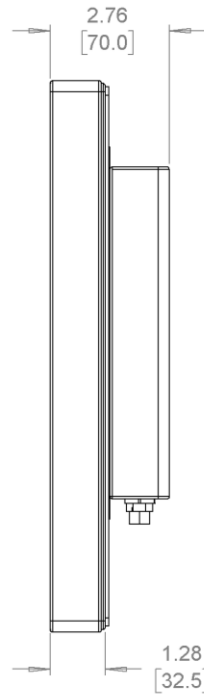


TOP VIEW

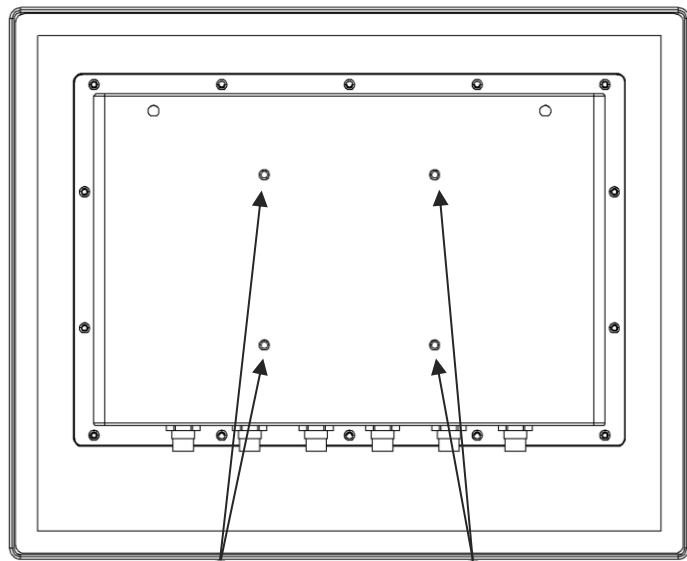


FRONT VIEW

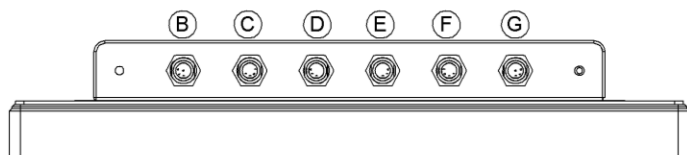
DIMENSIONS ARE IN INCHES [MM]



SIDE VIEW



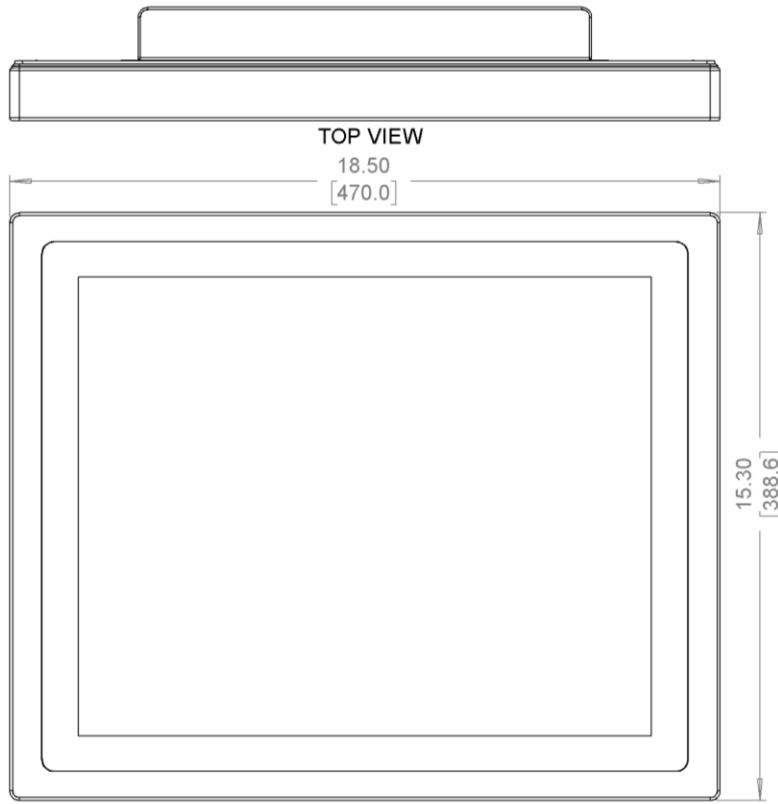
REAR VIEW



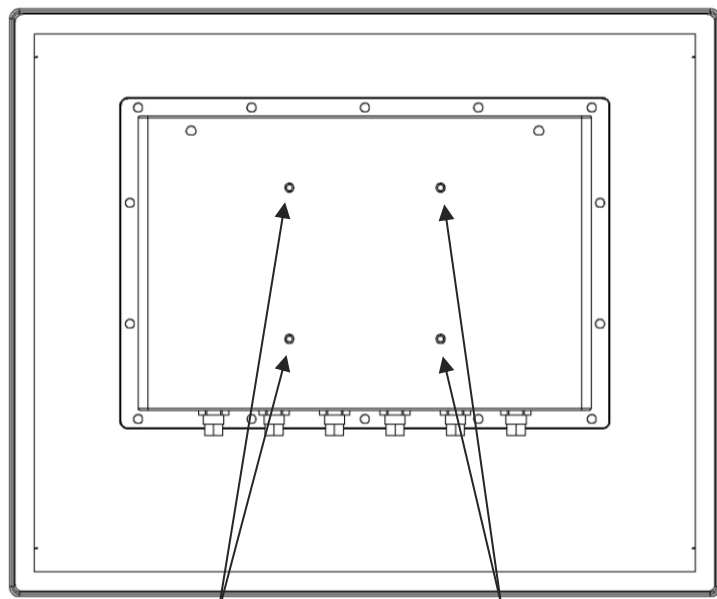
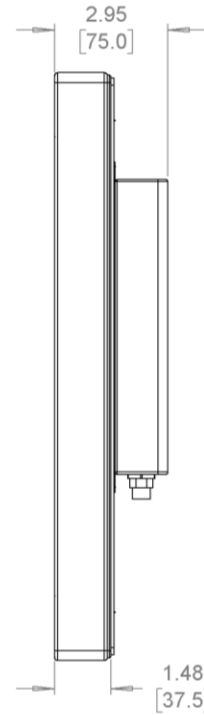
BOTTOM VIEW

- A VESA 100 x 100 mm Screw Holes
- B M12 VDC Power Connector
- C M12 LAN Connector
- D M12 USB 2.0 Connector
- E M12 COM1 Connector
- F M12 LAN Connector
- G M12 VGA Connector

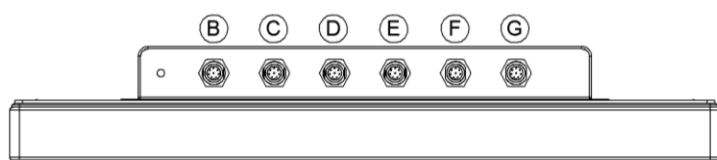
AEx-919APH



DIMENSIONS ARE IN INCHES [MM]



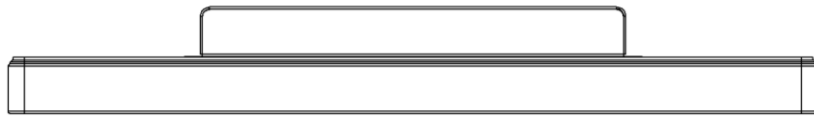
REAR VIEW



BOTTOM VIEW

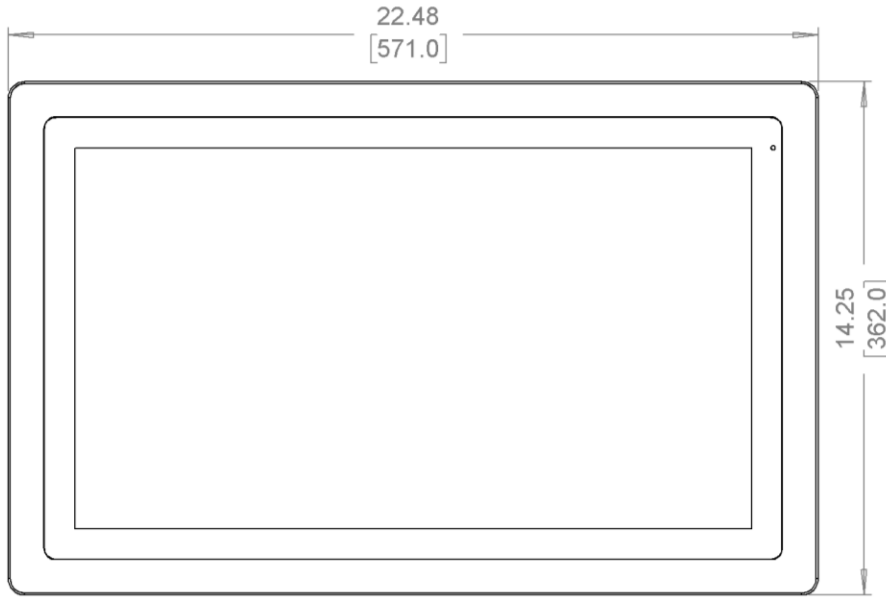
- A VESA 100 x 100 mm Screw Holes
- B M12 VDC Power Connector
- C M12 LAN Connector
- D M12 USB 2.0 Connector
- E M12 COM1 Connector
- F M12 LAN Connector
- G M12 VGA Connector

AEx-921AP

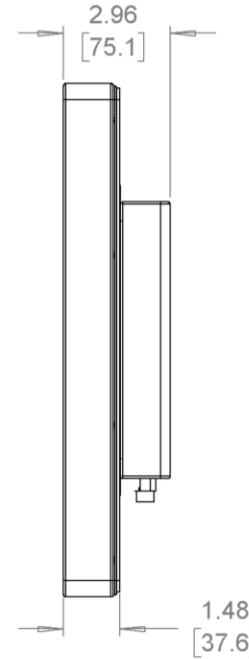


TOP VIEW

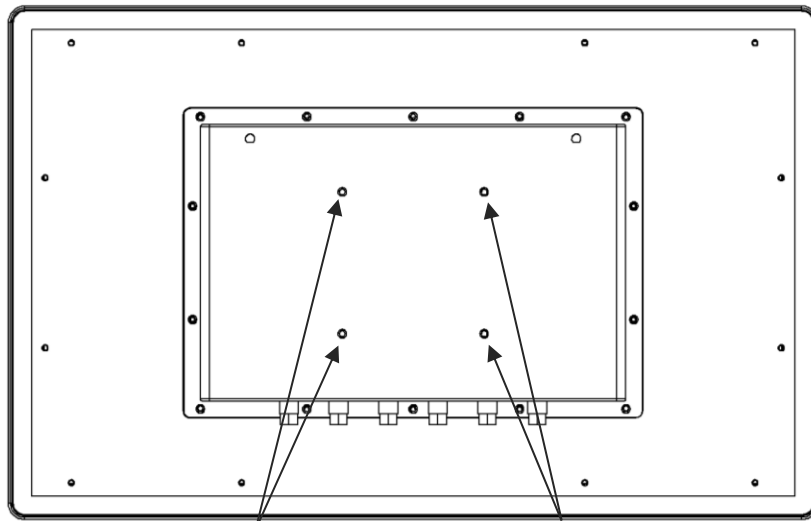
DIMENSIONS SHOWN ARE IN INCHES [MM]



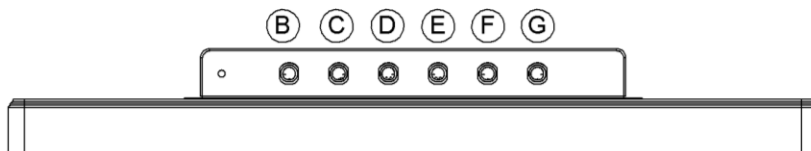
FRONT VIEW



SIDE VIEW



REAR VIEW



BOTTOM VIEW

- A VESA 100 x 100 mm Screw Holes
- B M12 VDC Power Connector
- C M12 LAN Connector
- D M12 USB 2.0 Connector
- E M12 COM1 Connector
- F M12 LAN Connector
- G M12 VGA Connector