

NOTES:

1. MATERIALS AND FINISHES:  
 BODIES, CONTACT & CAP - BRASS, GOLD PLATING  
 INSULATOR & INSULATOR DISC - PTFE, NATURAL  
 SPRING RING - BeCu, GOLD PLATING  
 FERRULE - COPPER, GOLD PLATING
2. ELECTRICAL:  
 A. IMPEDANCE: 50 OHM  
 B. FREQUENCY RANGE: DC - 6 GHz  
 D. DIELECTRIC WITHSTANDING VOLTAGE: 500 VRMS, MIN.
3. MECHANICAL:  
 A. DURABILITY: 500 CYCLES MIN.  
 B. TEMPERATURE RANGE: -65°C TO +165°C

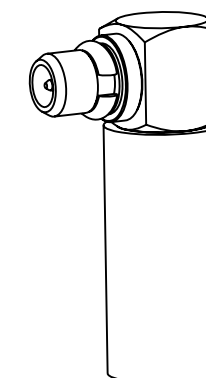
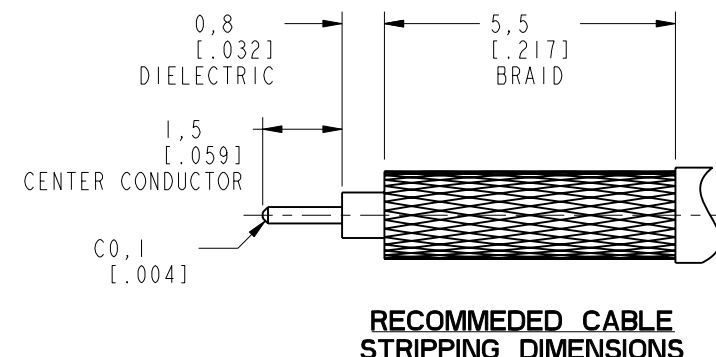
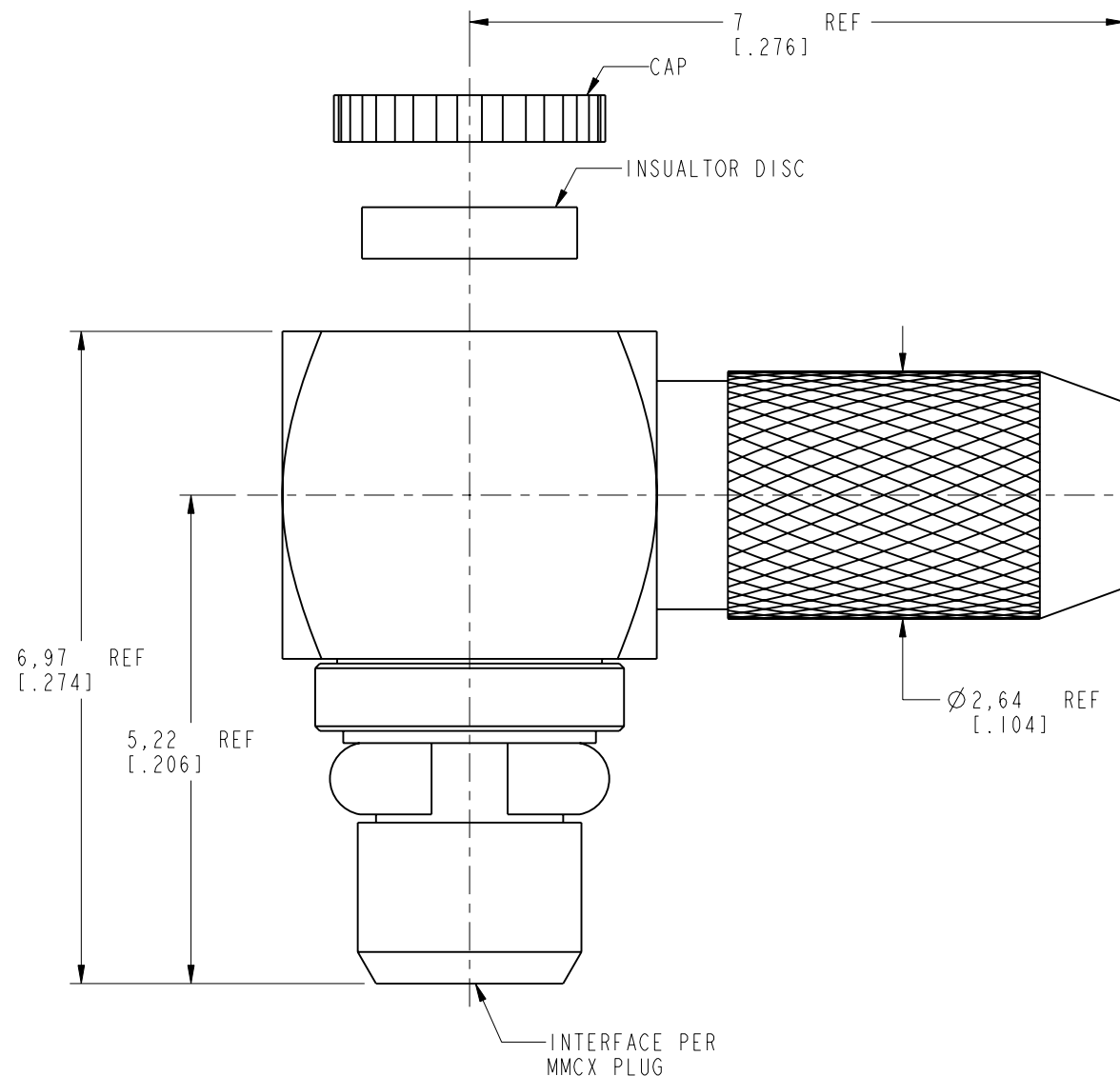
4. PACKAGING:  
 A. QUANTITY: SINGLE PACK  
 B. MARKING: BAG TO BE MARKED  
 "AMPHENOL RF, 908-43500, AND DATE CODE"
5. CABLE ASSEMBLY INSTRUCTIONS:  
 A. TRIM CABLE AS SHOWN.  
 B. SLIDE FERRULE ONTO CABLE.  
 C. INSERT CABLE WITH FOIL ENTERING CONNECTOR AND BRAID OVER KNURL.  
 D. SOLDER CABLE CENTER CONDUCTOR TO CONTACT.  
 E. CRIMP FERRULE OVER THE BRAID WITH .151" HEX DIE.  
 F. INSERT INSULATOR DISC INTO THE REAR BODY & PRESS THE CAP.

6 SHOWS CABLE ENTRY DIMENSIONS.

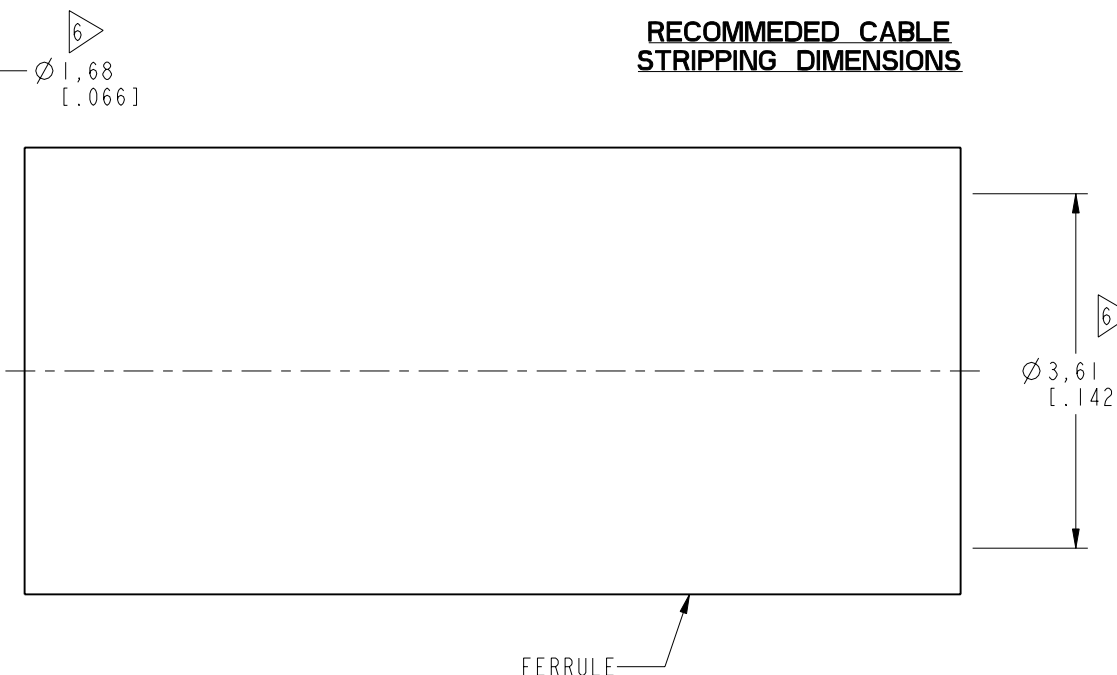
THIRD ANGLE PROJ.

REVISIONS

REV	DESCRIPTION	DATE	ECO	APPR
A	OFFICIAL ENG. RELEASE TO MFG.	06-Jun-95	40634	GT/RV
D	CHANGED TO ONE PIECE BODY	17-Nov-99	43171	PB
E	SEE SHEET 1	07-Sep-05	45686	CPM
F	UPDATED FERRULE	29-Mar-06	45994	CPM
G	REDESIGNED TO BE PURCHASED COMPLETE FROM ARFA	29-Sep-17	05362	JTS



SCALE 3.500



**CUSTOMER OUTLINE DRAWING**

ALL OTHER SHEETS ARE FOR INTERNAL USE ONLY

UNLESS OTHERWISE SPECIFIED, DIMENSIONS ARE IN METRIC AND TOLERANCES ARE:  
 <0.5mm ±0.05mm    0.5 - 6mm ±0.1mm    6 - 30mm ±0.2mm    30 - 120mm ±0.3mm    ANGLES ±1°

NOTICE - These drawings, specifications, or other data (1) are, and remain the property of Amphenol corp. (2) must be returned upon request; and (3) are confidential and not to be disclosed to any person other than those to whom they are given by Amphenol Corp. the furnishing of these drawings, specifications, or other data by Amphenol Corp., or to any other person to anyone for any purpose is not to be regarded by implication or otherwise in any manner licensing, granting rights to permitting such holder or any other person to manufacture, use or sell any product, process or design, patented or otherwise, that may in any way be related to or disclosed by said drawings, specifications, or other data.

MATERIAL	SEE NOTES
REFERENCE	EAR# 7675
REF:	
CONFIGURATION LEVEL:	In Work
FINISH	

DRAWN	M. ZHANG	DATE	29-Sep-17
ENGINEER	T. SMITH	DATE	12-May-17
APPROVED	S. HSIEH	DATE	09-Oct-17
CAD FILE			

TITLE	
MMCX R/A CRIMP PLUG FOR RD-316 CABLE	
SCALE: 13.0:1.0	SHEET 2 OF 2
DWG SIZE	REV
B	G

Amphenol RF	
www.amphenolrf.com	
DRAWING NO. 908-43500	
ITEM NO. 908-43500	
PART NO. 908-43500	