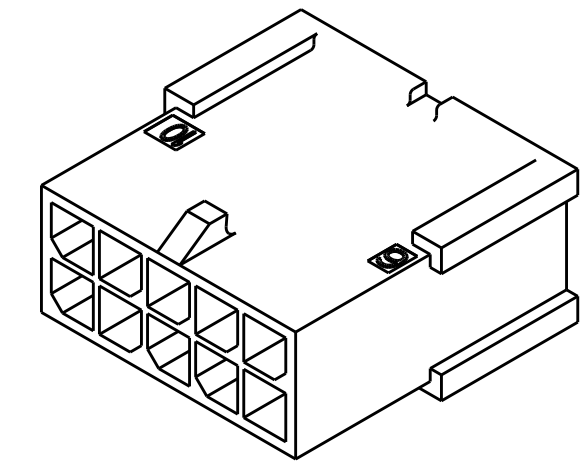
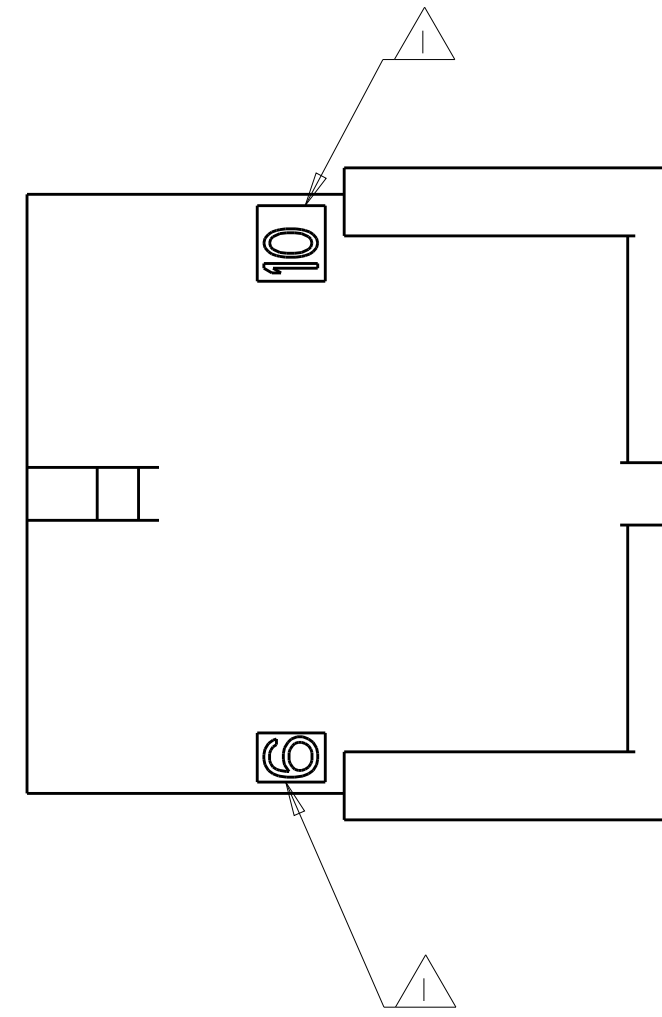
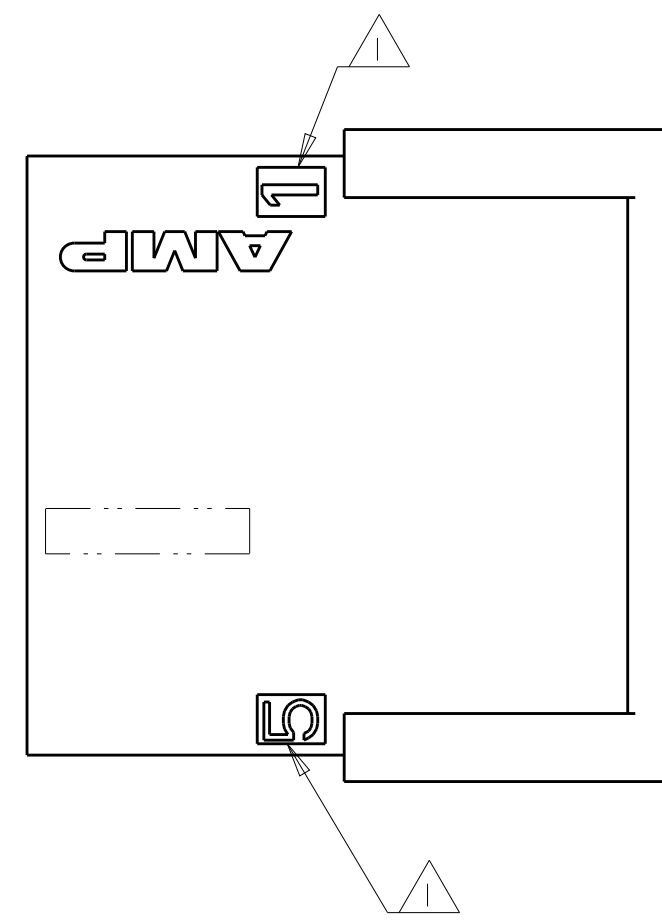
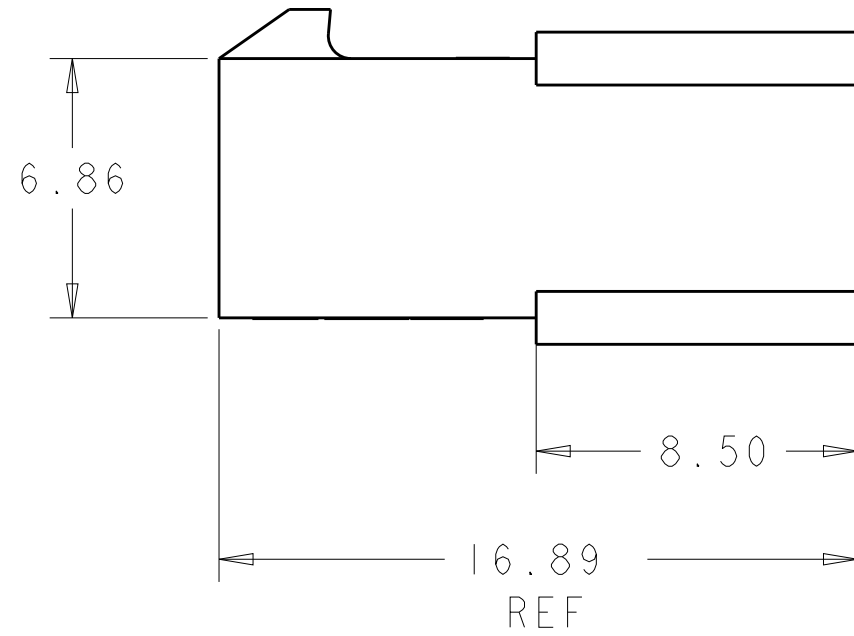
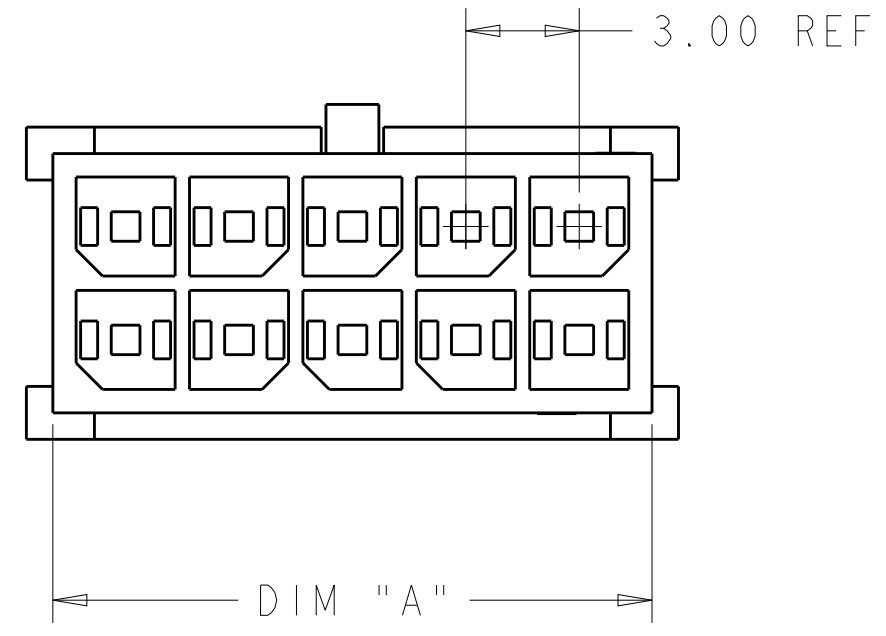


THIS DRAWING IS UNPUBLISHED. RELEASED FOR PUBLICATION 20
 © COPYRIGHT 20 BY - ALL RIGHTS RESERVED.

REVISIONS				
P	LTR	DESCRIPTION	DATE	APVD
P9		REVISED PER ECR-18-011787	10SEP2018	JB DZ
P10		REVISED PER ECN-20-100589	29OCT2020	WLS VS
P11		REVISED PER ECN-20-100715	30NOV2020	WLS VS



SCALE 3:1



- ① CIRCUIT IDENTIFIERS LOCATED APPROXIMATELY AS SHOWN.
- ② MATERIAL PA66/6 UL94-V0. COLOR-BLACK
- ③ PRELIMINARY MATERIAL PA6 UL94-V0
- ④ MATERIAL PA66 UL94-V0, GW . COLOR - NATURAL.
- ⑤ PRELIMINARY PART NOT RELEASED FOR PRODUCTION.

REMARK	DIM A	NO. OF POS.	PART NUMBER
OBSOLETE	④ 36.85	24	5-794616-4
	30.85	20	5-794616-0
	24.85	16	4-794616-6
	21.85	14	4-794616-4
	⑤ 18.85	12	4-794616-2
UL-V0	15.85	10	3-794616-0
GWEPT 750°C NO FLAME ④	12.85	8	3-794616-8
GWFI 850°C NO FLAME	9.85	6	3-794616-6
OBSOLETE	6.85	4	3-794616-4
OBSOLETE	3.85	2	3-794616-2
OBSOLETE ③ ⑤	12.85	8	2-794616-8
②	36.85	24	2-794616-4
	33.85	22	2-794616-2
	30.85	20	2-794616-0
	27.85	18	1-794616-8
	24.85	16	1-794616-6
	21.85	14	1-794616-4
	18.85	12	1-794616-2
	15.85	10	1-794616-0
	12.85	8	794616-8
	9.85	6	794616-6
6.85	4	794616-4	
3.85	2	794616-2	

THIS DRAWING IS A CONTROLLED DOCUMENT.		DWN W J RUDY 29AUG2000	TE Connectivity	
DIMENSIONS: mm		CHK W DAVIS 29AUG2000		
TOLERANCES UNLESS OTHERWISE SPECIFIED:		APVD W DAVIS 29AUG2000	NAME PLUG HOUSING, 2 to 24 POSITION DUAL ROW, FREE HANGING, MICRO MATE-N-LOK(TM)	
0 PLC ±		PRODUCT SPEC 108-1836	SIZE CAGE CODE DRAWING NO RESTRICTED TO	
1 PLC ±		APPLICATION SPEC 114-13000	A200779 C-794616	
2 PLC ±0.13		WEIGHT -	SCALE 5:1 SHEET OF REV P11	
3 PLC ±		CUSTOMER DRAWING		
4 PLC ±				
ANGLES ±				
FINISH -				