



Neohm | Neohm SMA-A

TE Internal #: 7-2176315-1

56K  $\Omega$ , Thin Film, Precision Resistor, 1 %, 2 Termination, 0204,  
Taped & Reeled, .4 W,  $\pm 50$  ppm/ $^{\circ}\text{C}$ , Metal Electrode Leadless Face  
(MELF), Neohm SMA-A

[View on TE.com >](#)

Passive Components > Resistors > Surface Mount Resistors



Resistor Type: **Precision Resistor**

Number of Terminations: **2**

Package Size Code: **0204**

Packaging Method: **Taped & Reeled**

Passive Component Tolerance: **1 %**

## Features

### Product Type Features

Product Type	Fixed Resistor
Resistor Type	Precision Resistor
Package Size Code	0204
Element Type	Thin Film

### Configuration Features

Number of Resistors	1
---------------------	---

### Electrical Characteristics

Voltage Rating	200 V
Passive Component Tolerance	1 %
Resistance Class	1k $\Omega$ – 1M $\Omega$
Resistance Value	56K $\Omega$
Power Rating	.4 W

### Termination Features

Number of Terminations	2
------------------------	---

Surface Mount Resistor Termination Type

Metal Electrode Leadless Face (MELF)

### Dimensions

Passive Component Dimensions

3.5 x 1.4 mm

### Usage Conditions

Operating Temperature Range

-55 – 155  $^{\circ}\text{C}$ 

Temperature Coefficient

 $\pm 50$  ppm/ $^{\circ}\text{C}$ 

### Packaging Features

Packaging Method

Taped &amp; Reeled

## Product Compliance

For compliance documentation, visit the product page on [TE.com](#)>

EU RoHS Directive 2011/65/EU

Compliant

EU ELV Directive 2000/53/EC

Compliant

China RoHS 2 Directive MIIT Order No 32, 2016

No Restricted Materials Above Threshold

EU REACH Regulation (EC) No. 1907/2006

Current ECHA Candidate List: JAN 2023 (233)  
 Candidate List Declared Against: JAN 2023 (233)  
 Does not contain REACH SVHC

Halogen Content

Low Halogen - Br, Cl, F, I < 900 ppm per homogenous material. Also BFR/CFR/PVC Free

Solder Process Capability

Reflow solder capable to 260 $^{\circ}\text{C}$ 

#### Product Compliance Disclaimer

This information is provided based on reasonable inquiry of our suppliers and represents our current actual knowledge based on the information they provided. This information is subject to change. The part numbers that TE has identified as EU RoHS compliant have a maximum concentration of 0.1% by weight in homogenous materials for lead, hexavalent chromium, mercury, PBB, PBDE, DBP, BBP, DEHP, DIBP, and 0.01% for cadmium, or qualify for an exemption to these limits as defined in the Annexes of Directive 2011/65/EU (RoHS2). Finished electrical and electronic equipment products will be CE marked as required by Directive 2011/65/EU. Components may not be CE marked. Additionally, the part numbers that TE has identified as EU ELV compliant have a maximum concentration of 0.1% by weight in homogenous materials for lead, hexavalent chromium, and mercury, and 0.01% for cadmium, or qualify for an exemption to these limits as defined in the Annexes of Directive 2000/53/EC (ELV). Regarding the REACH Regulation, the information TE provides on SVHC in articles for this part number is based on the latest European Chemicals Agency (ECHA) 'Guidance on requirements for substances in articles' posted at this URL: <https://echa.europa.eu/guidance-documents/guidance-on-reach>

## Compatible Parts



TE Part # 6-2176314-9  
MELF SMA-A 10R 1% 50PPM 0102 0.3 W



TE Part # 3-2176315-2  
MELF SMA\_A 39K 0.1% 15PPM 0204 0.4W



TE Part # 2176316-5  
MELF SMA\_A 220R 0.1% 15PPM 0207 1W



TE Part # 9-2176315-8  
MELF SMA-A 1M0 1% 50PPM 0204 0.4 W



TE Part # 9-2176316-4  
MELF SMA-A 330K 1% 50PPM 0207 1W

## Also in the Series | Neohm SMA-A



Surface Mount Resistors(384)

## Customers Also Bought



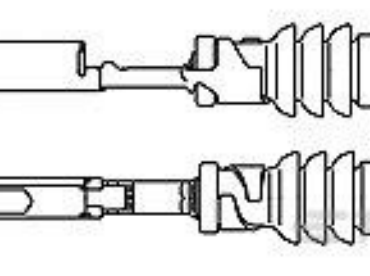
TE Part #175289-3  
DYNAMIC D-3 TAB CONT. L AU 0.76 L /P



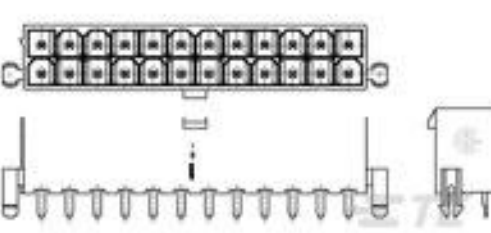
TE Part #5554990-1  
MJ,TE,6P



TE Part #1744429-7  
3.96 EP HDR ASSY 7P W/PEGS, GW



TE Part #1703032-5  
MQS0,63 Au rec CB EDS 0,5-0,75



TE Part #2029265-8  
8P VAL-U-LOK VRTHDR W/PGS GW



## Documents

### Product Drawings

[MELF SMA\\_A 56K 1% 50PPM 0204 0.4W](#)

English

---

### CAD Files

[3D PDF](#)

3D

Customer View Model

[ENG\\_CVM\\_CVM\\_7-2176315-1\\_BA.2d\\_dxf.zip](#)

English

Customer View Model

[ENG\\_CVM\\_CVM\\_7-2176315-1\\_BA.3d\\_igs.zip](#)

English

Customer View Model

[ENG\\_CVM\\_CVM\\_7-2176315-1\\_BA.3d\\_stp.zip](#)

English

By downloading the CAD file I accept and agree to the [Terms and Conditions](#) of use.

---

### Datasheets & Catalog Pages

[SMA-A-1017](#)

English

---

### Product Environmental Compliance

[Product Compliance](#)

English

[Product Compliance](#)

English