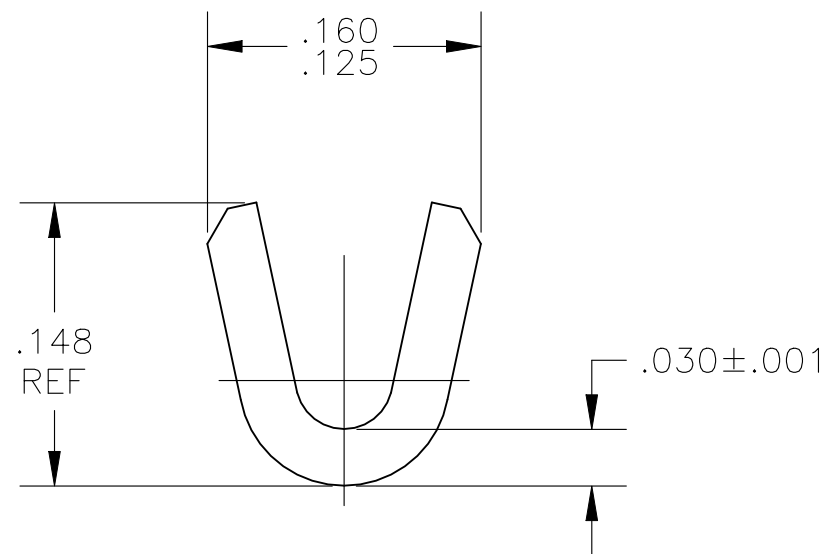
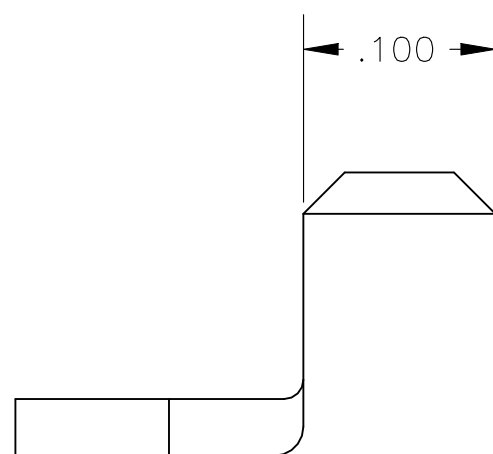
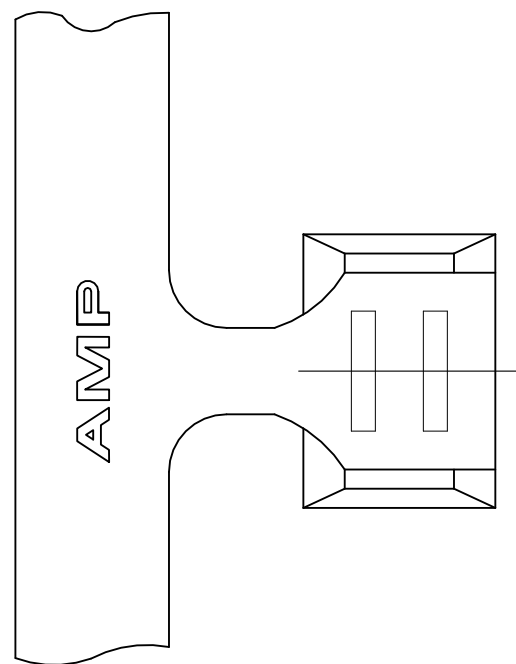



REVISIONS

P	LTR	DESCRIPTION	DATE	DWN	APVD
	B2	ECR-23-175652	17MAY23	LZ	EW

- 1 CONTINUOUS STRIP ON REELS
- 2 WIRE RANGE: 500 TO 2200 CMA
- 3 CRIMP WIDTH: .110 F TYPE  
CRIMP HEIGHT:  $(\pm.002)=(\text{TOTAL CMA}+8500)/126000$



485016-1  
PART NO

THIS DRAWING IS A CONTROLLED DOCUMENT.		DWN RAGHAVENDRA 03JUL07	 <b>TE Connectivity</b>														
DIMENSIONS: INCHES		CHK G.D.PORTA 03JUL07															
TOLERANCES UNLESS OTHERWISE SPECIFIED:		APVD G.D.PORTA 03JUL07	NAME														
<table border="0"> <tr><td>0 PLC</td><td>± -</td></tr> <tr><td>1 PLC</td><td>± -</td></tr> <tr><td>2 PLC</td><td>± -</td></tr> <tr><td>3 PLC</td><td>± .010</td></tr> <tr><td>4 PLC</td><td>± -</td></tr> <tr><td>ANGLES</td><td>± -</td></tr> </table>		0 PLC	± -	1 PLC	± -	2 PLC	± -	3 PLC	± .010	4 PLC	± -	ANGLES	± -	PRODUCT SPEC -	SPLICE		
0 PLC	± -																
1 PLC	± -																
2 PLC	± -																
3 PLC	± .010																
4 PLC	± -																
ANGLES	± -																
MATERIAL BRASS		FINISH NONE	APPLICATION SPEC -	SIZE A3	CAGE CODE 00779	DRAWING NO C-485016	RESTRICTED TO -										
CUSTOMER DRAWING			WEIGHT -	SCALE 10:1	SHEET 1 OF 1	REV B2											