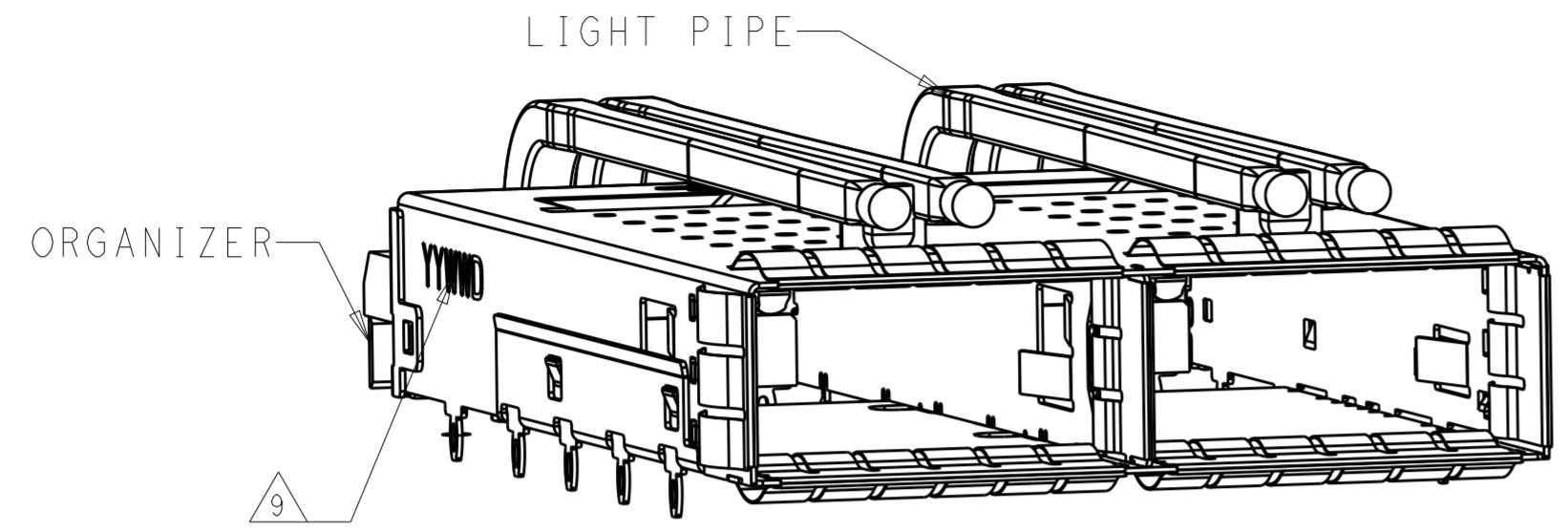
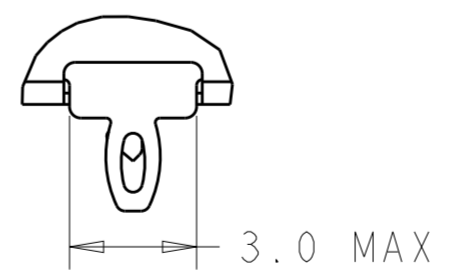
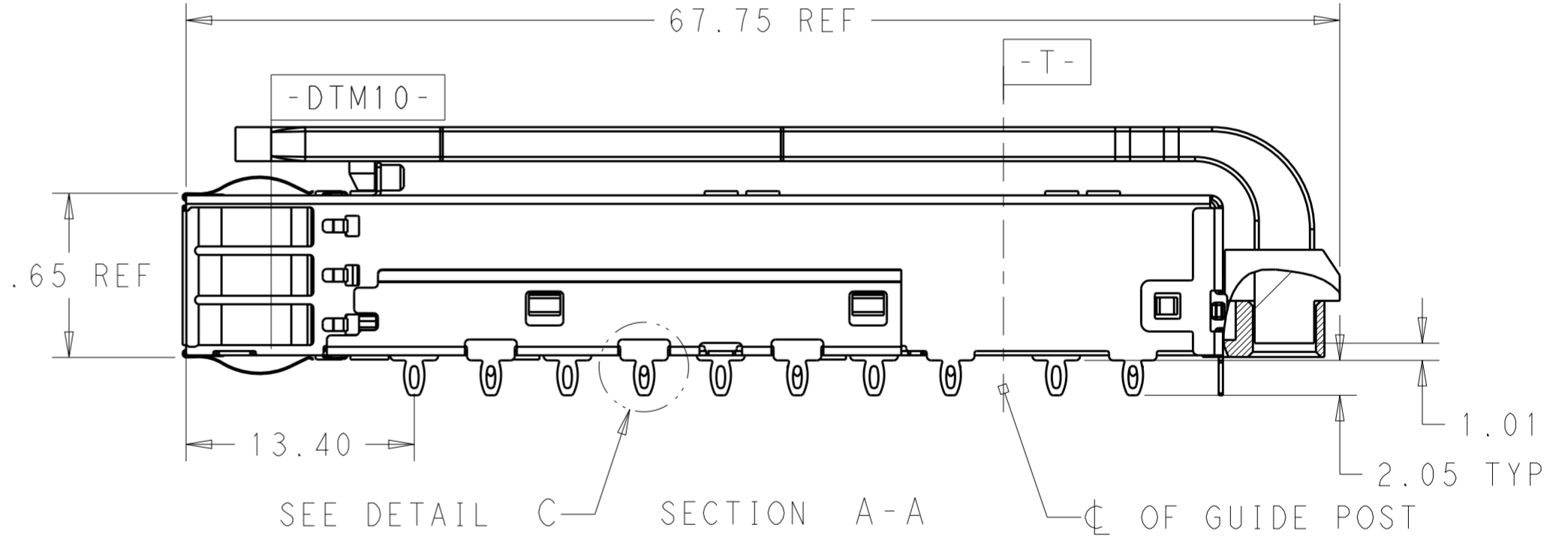
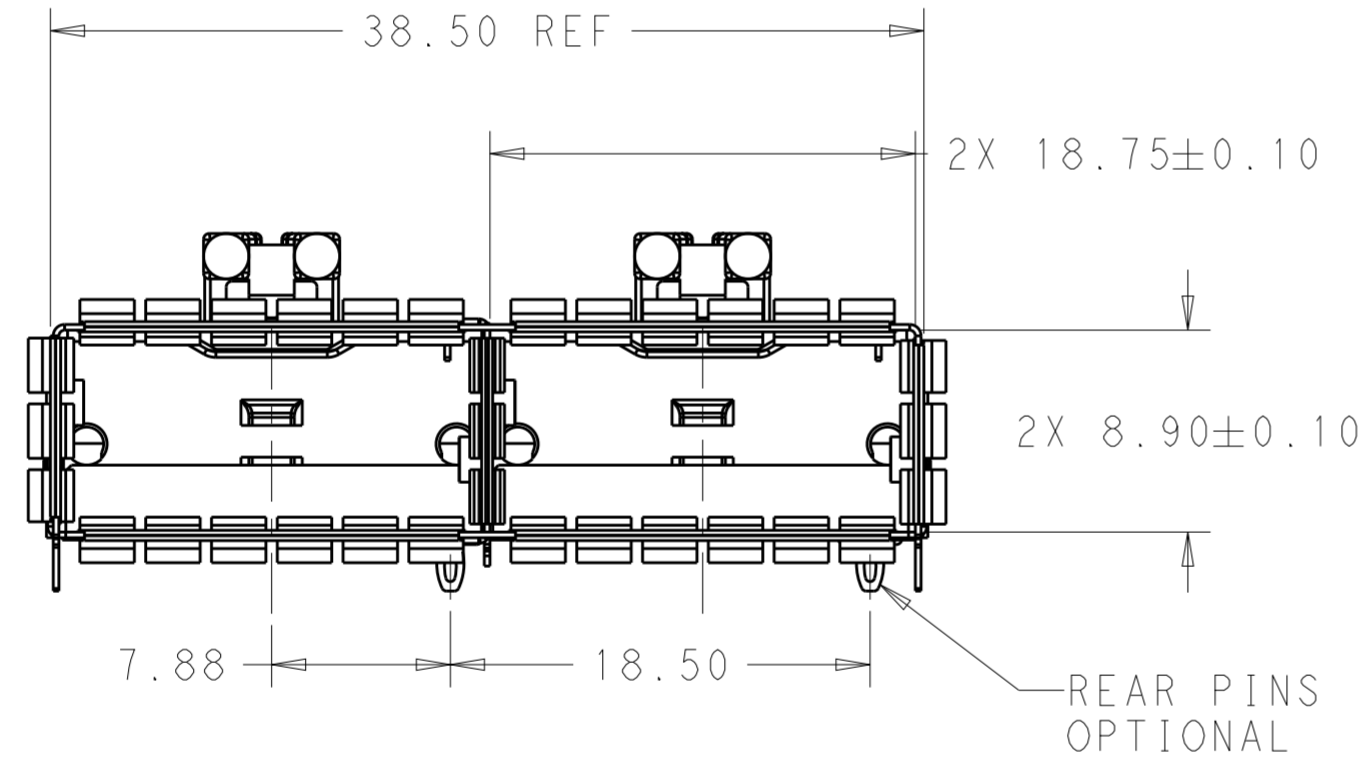


THIS DRAWING IS UNPUBLISHED. RELEASED FOR PUBLICATION 20
 © COPYRIGHT 20 BY - ALL RIGHTS RESERVED.

LOC	DIST	REVISIONS					
GP	00	P	LTR	DESCRIPTION	DATE	DWN	APVD
		A		RELEASE	08NOV2016	JY	SH
		B		REVISED PER ECO-19-016558	31OCT2019	JW	SH



2170807-1, -2
1X2 CAGE ASSEMBLY



DETAIL C
SCALE 6:1

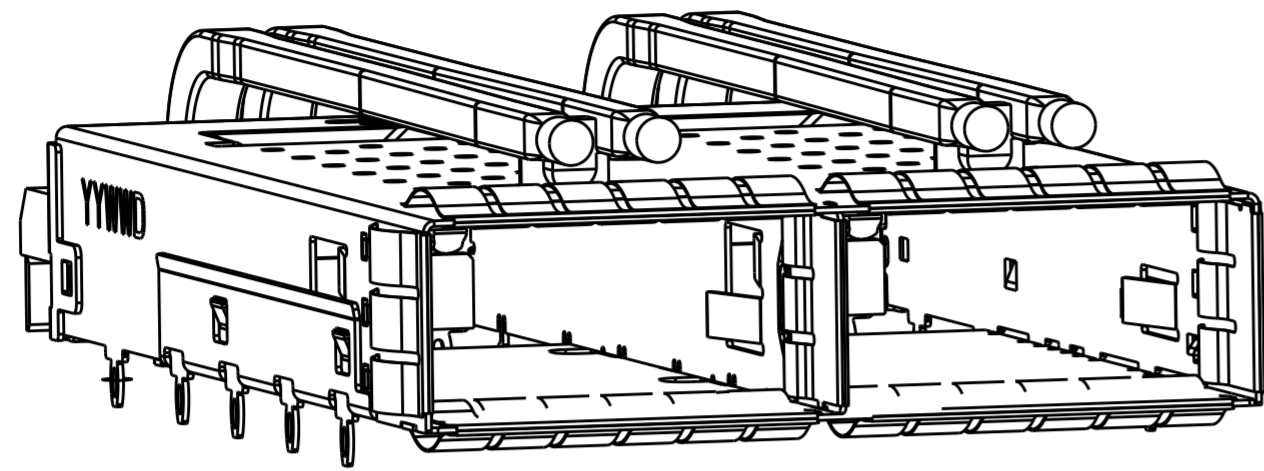
- COMPONENTS
 CAGE ASSEMBLY: NICKEL-SILVER ALLOY
 EMI SPRING: COPPER ALLOY/NICKEL PLATE
 LIGHT PIPE: CLEAR POLYCARBONATE
 ORGANIZER: POLYESTER
- REFERENCE APPLICATION SPECIFICATION 114-32023 FOR RECOMMENDED DRILL HOLE DIAMETER AND PLATING THICKNESS
- DATUM AND BASIC DIMENSION ESTABLISHED BY CUSTOMER
- MATES WITH QSFP28 MSA COMPATIBLE TRANSCEIVER.
- LIGHT PIPES ARE SHIPPED ASSEMBLED ON CAGE
- MINIMUM PC BOARD THICKNESS: SINGLE SIDED: 1.57 MIN
 DOUBLE SIDED: 2.20 MIN
- DATUM **-A-** IS TOP SURFACE OF THE HOST BOARD.
- THESE HOLES ARE OPTIONAL WHEN THE REAR PINS ARE REMOVED.
- DATE CODE (YYWWD) MARKED APPROXIMATELY AS SHOWN.

WITHOUT	DUAL LP	2170807-6
WITH	DUAL LP	2170807-5
WITHOUT	QUAD LP	2170807-4
WITH	QUAD LP	2170807-3
WITHOUT	DUAL LP	2170807-2
WITH	DUAL LP	2170807-1
REAR PINS OPTIONAL	LIGHT PIPE OPTIONAL	PART NUMBER

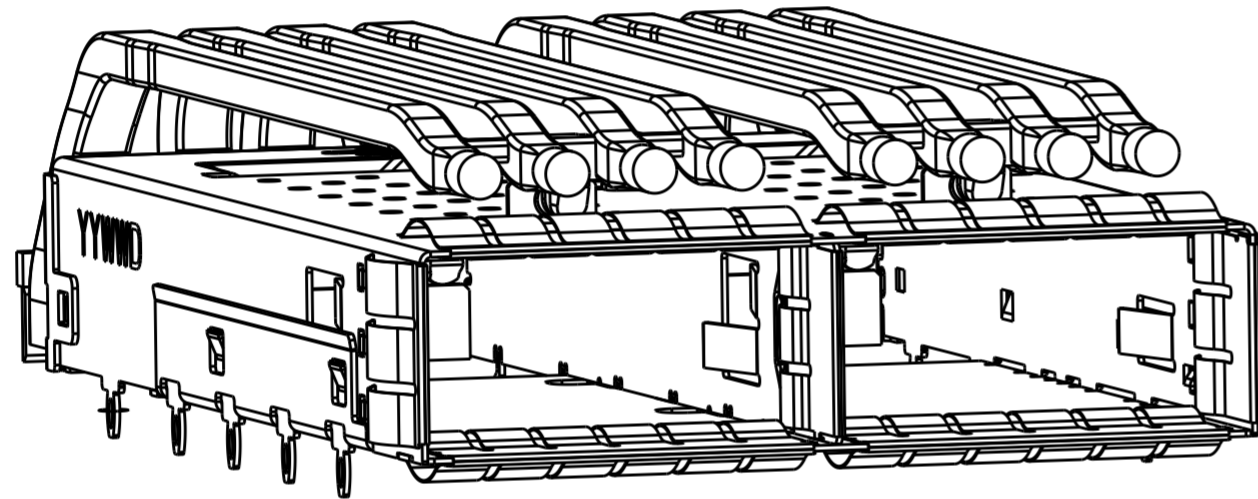
DIMENSIONS:		TOLERANCES UNLESS OTHERWISE SPECIFIED:		APVD		NAME	
mm		0 PLC	±	DWN	BING LIU	16SEP2014	STE TE Connectivity
		1 PLC	±0.25	CHK	JASON YANG	16SEP2014	
		2 PLC	±0.2	APVD	SEAN HAN	08NOV2016	RECEPTACLE CAGE ASSEMBLY WITH LIGHT PIPES, THRU BEZEL, 1X2, QSFP28
		3 PLC	±	PRODUCT SPEC			
		4 PLC	±	APPLICATION SPEC			SIZE
		ANGLES	±	114-32023			CAGE CODE
		FINISH	±	WEIGHT			DRAWING NO
							RESTRICTED TO
SEE NOTES	SEE NOTES			CUSTOMER DRAWING			A200779
							C-2170807
							SCALE 3:1
							SHEET 1 OF 6
							REV B

THIS DRAWING IS UNPUBLISHED. RELEASED FOR PUBLICATION 20
 © COPYRIGHT 20 BY - ALL RIGHTS RESERVED.

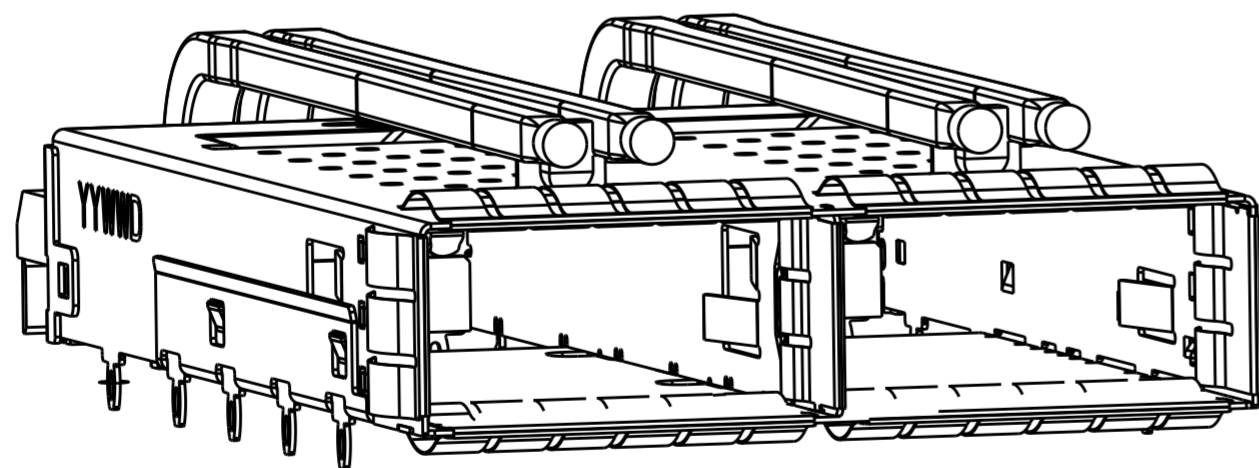
LOC		DIST		REVISIONS			
P	LTR	DESCRIPTION	DATE	DWN	APVD		
-	-	SEE SHEET 1	-	-	-		



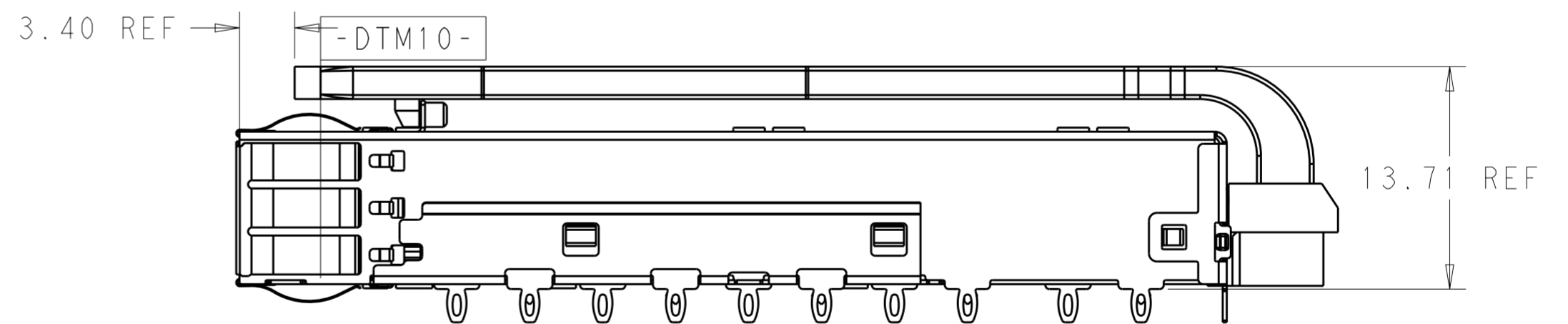
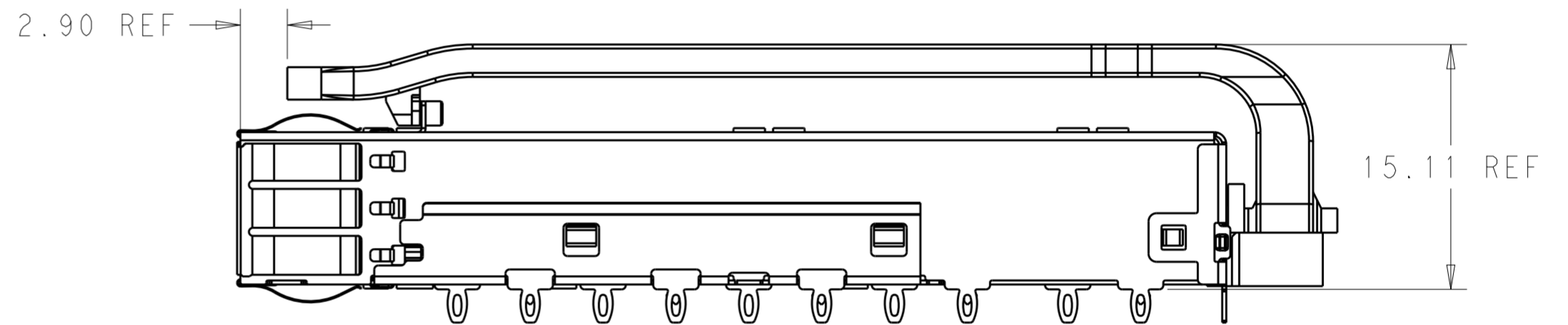
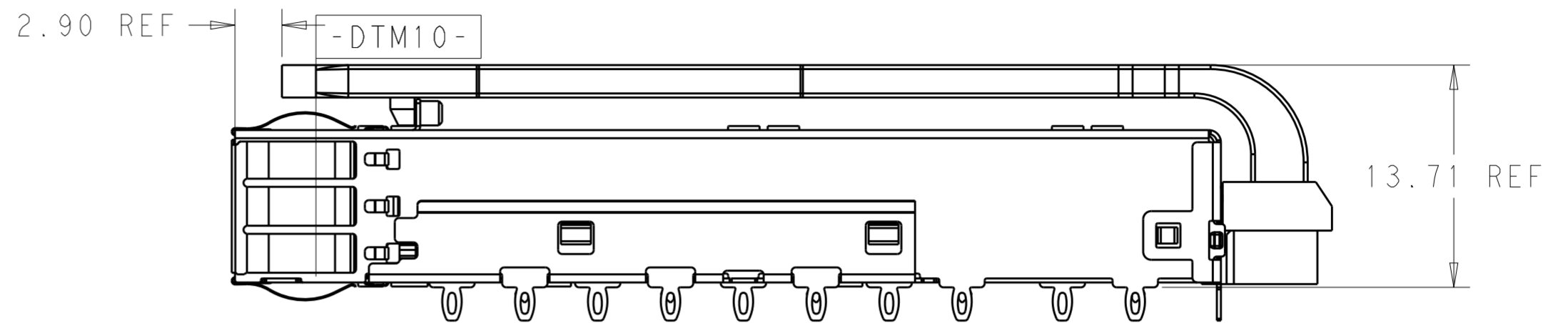
2170807-1, -2 WITH DUAL LIGHT PIPE
SCALE 3:1



2170807-3, -4 WITH QUAD LIGHT PIPE
SCALE 3:1



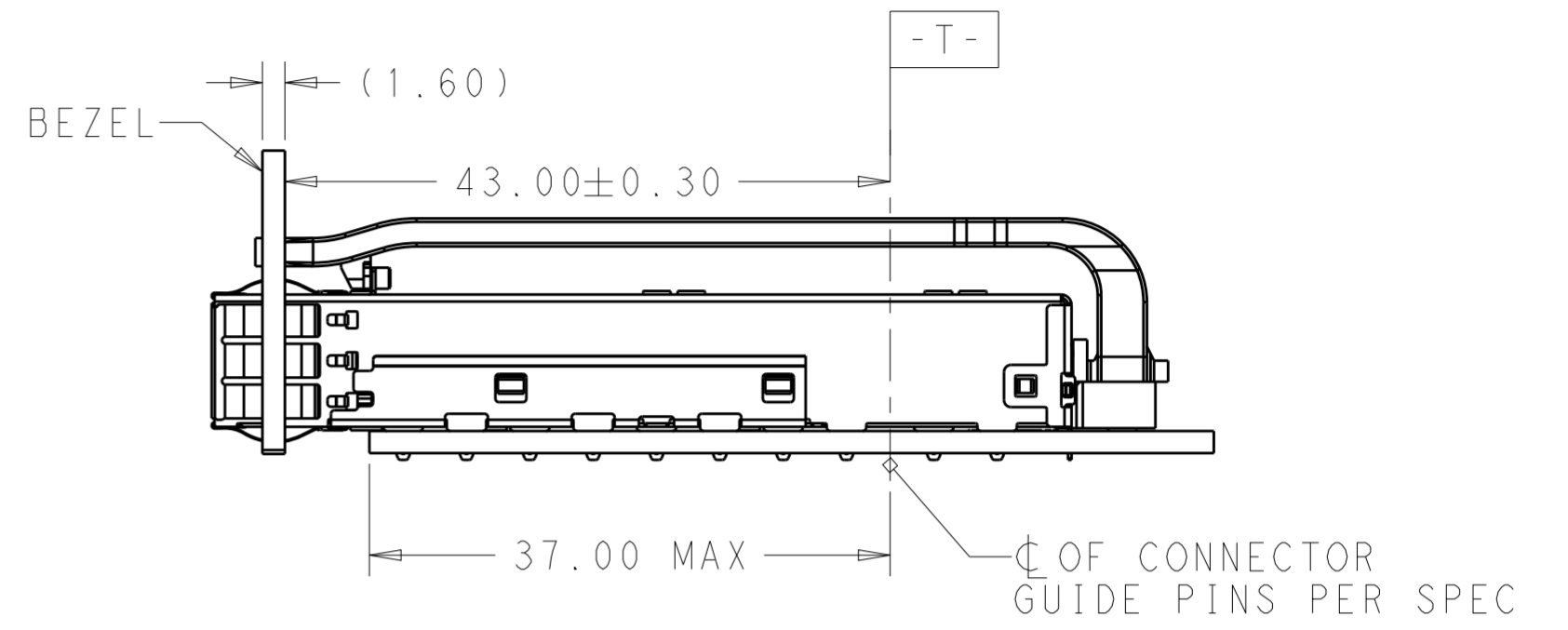
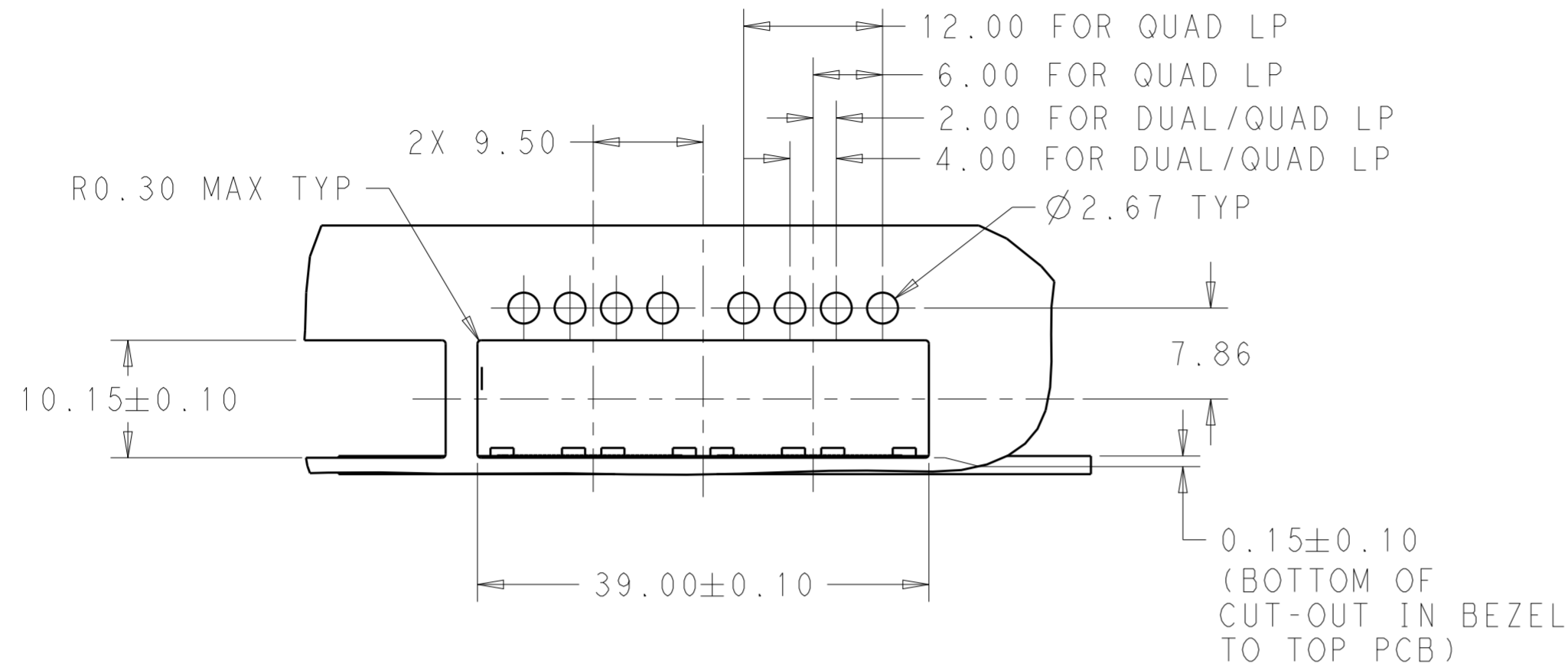
2170807-5, -6 WITH DUAL LIGHT PIPE, SHORTER
SCALE 3:1



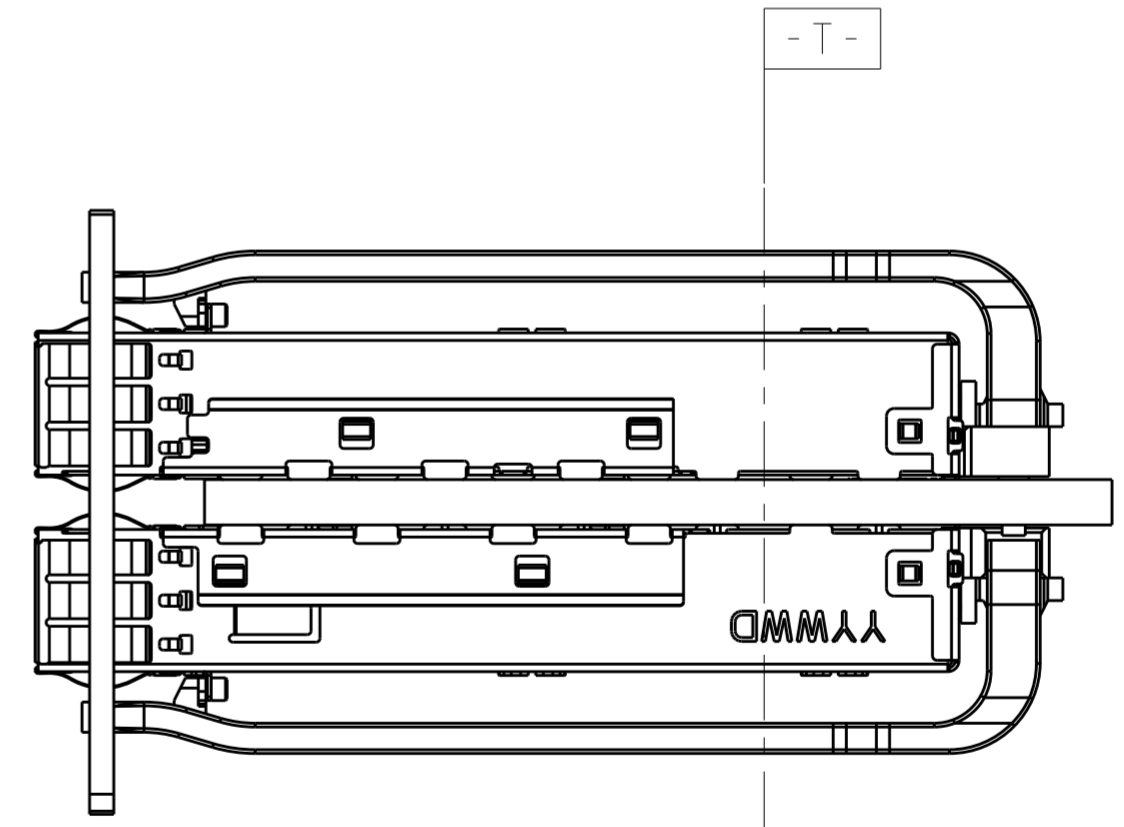
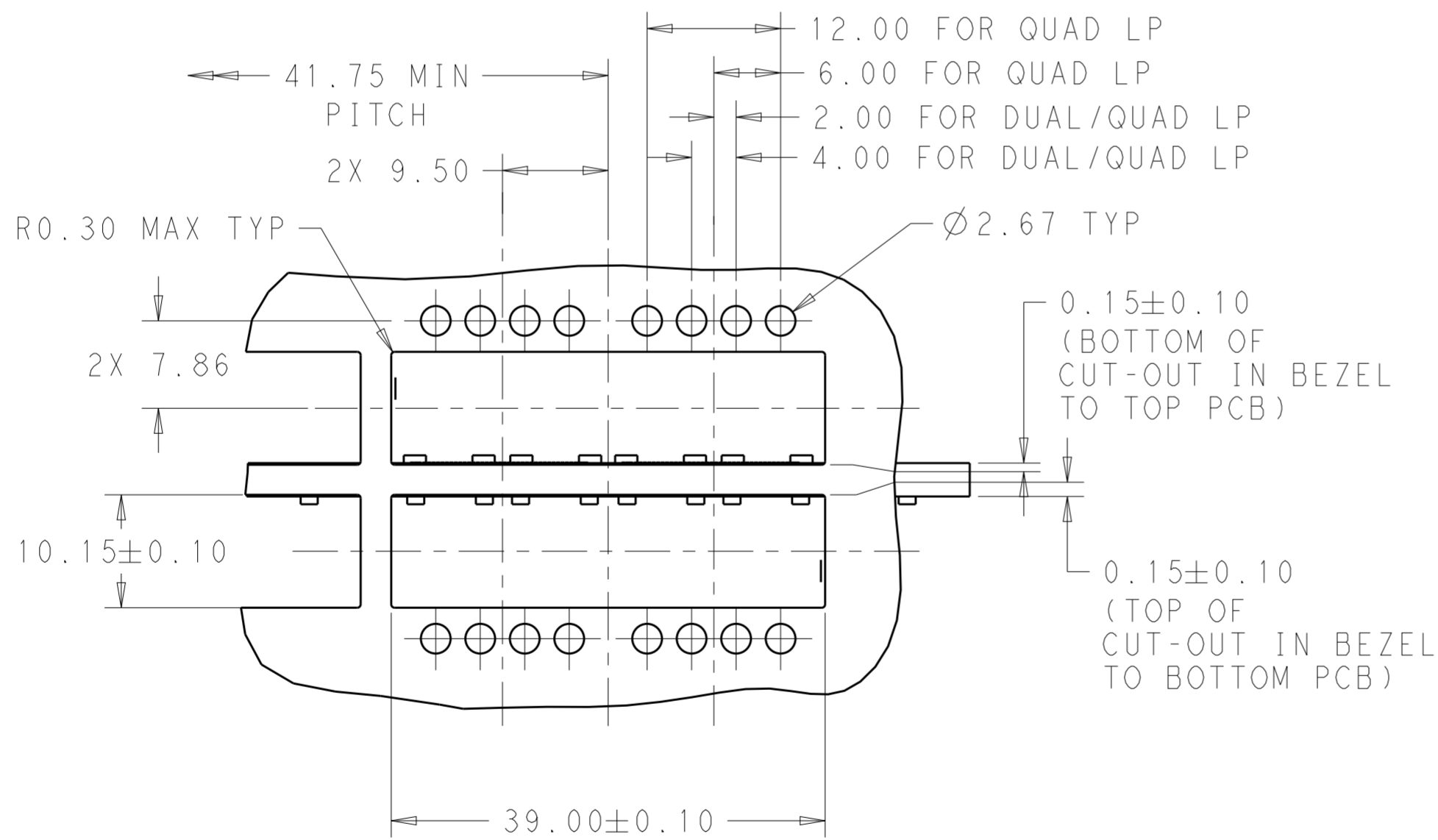
THIS DRAWING IS A CONTROLLED DOCUMENT.		DWN BING LIU 16SEP2014	STE TE Connectivity
DIMENSIONS: mm		CHK JASON YANG 16SEP2014	
TOLERANCES UNLESS OTHERWISE SPECIFIED:		APVD SEAN HAN 08NOV2016	NAME RECEPTACLE CAGE ASSEMBLY WITH LIGHT PIPES, THRU BEZEL, 1X2, QSFP28
0 PLC ±-	1 PLC ±0.25	PRODUCT SPEC 108-19428	SIZE A200779
2 PLC ±0.2	3 PLC ±-	APPLICATION SPEC 114-32023	CAGE CODE C-2170807
4 PLC ±-	ANGLES ±-	WEIGHT -	DRAWING NO G-2170807
MATERIAL SEE NOTES material_2	FINISH SEE NOTES finish_spec_2	CUSTOMER DRAWING	RESTRICTED TO -
		SCALE 3:1	SHEET 2 OF 6
			REV B

THIS DRAWING IS UNPUBLISHED. RELEASED FOR PUBLICATION 20
 © COPYRIGHT 20 BY - ALL RIGHTS RESERVED.

LOC		DIST		REVISIONS			
P	LTR	DESCRIPTION	DATE	DWN	APVD		
-	-	SEE SHEET 1	-	-	-		



SINGLE SIDE MOUNTING
SCALE 2:1

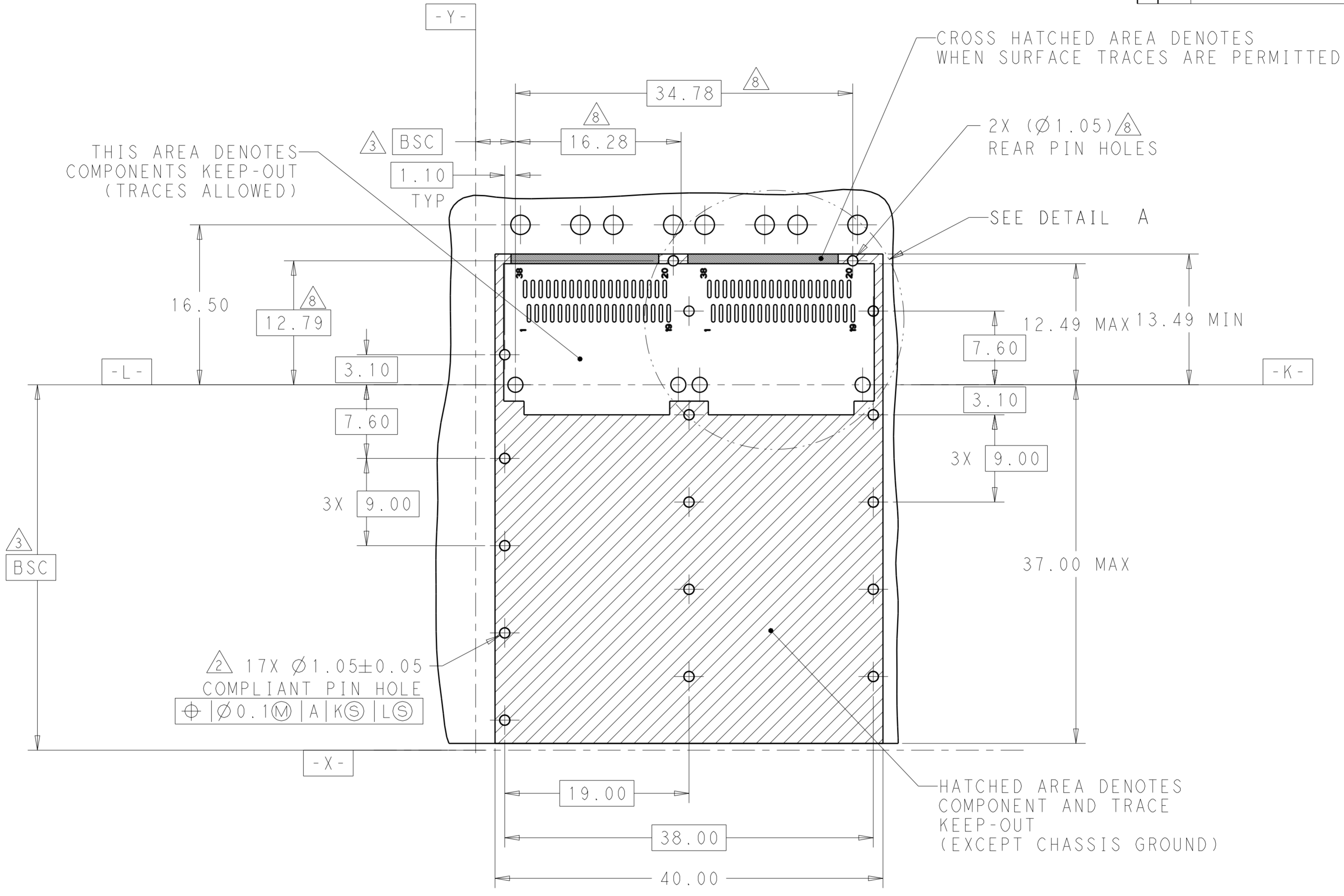


BELLY TO BELLY MOUNTING
SCALE 2:1

THIS DRAWING IS A CONTROLLED DOCUMENT.		DWN BING LIU 16SEP2014	STE TE Connectivity	
		CHK JASON YANG 16SEP2014		
DIMENSIONS: mm		APVD SEAN HAN 08NOV2016	NAME RECEPTACLE CAGE ASSEMBLY WITH LIGHT PIPES, THRU BEZEL, 1X2, QSFP28	
TOLERANCES UNLESS OTHERWISE SPECIFIED: 0 PLC ± 1 PLC ±0.25 2 PLC ±0.2 3 PLC ± 4 PLC ± ANGLES ± FINISH		PRODUCT SPEC 108-19428	SIZE 114-32023	DRAWING NO A200779C-2170807
MATERIAL SEE NOTES material_2	SEE NOTES finish_spec_2	APPLICATION SPEC 114-32023	WEIGHT -	RESTRICTED TO -
		CUSTOMER DRAWING	SCALE 3:1	SHEET 3 OF 6 REV B

THIS DRAWING IS UNPUBLISHED. RELEASED FOR PUBLICATION 20
 © COPYRIGHT 20 BY - ALL RIGHTS RESERVED.

LOC		DIST		REVISIONS			
P	LTR	DESCRIPTION	DATE	DWN	APVD		
-	-	SEE SHEET 1	-	-	-		

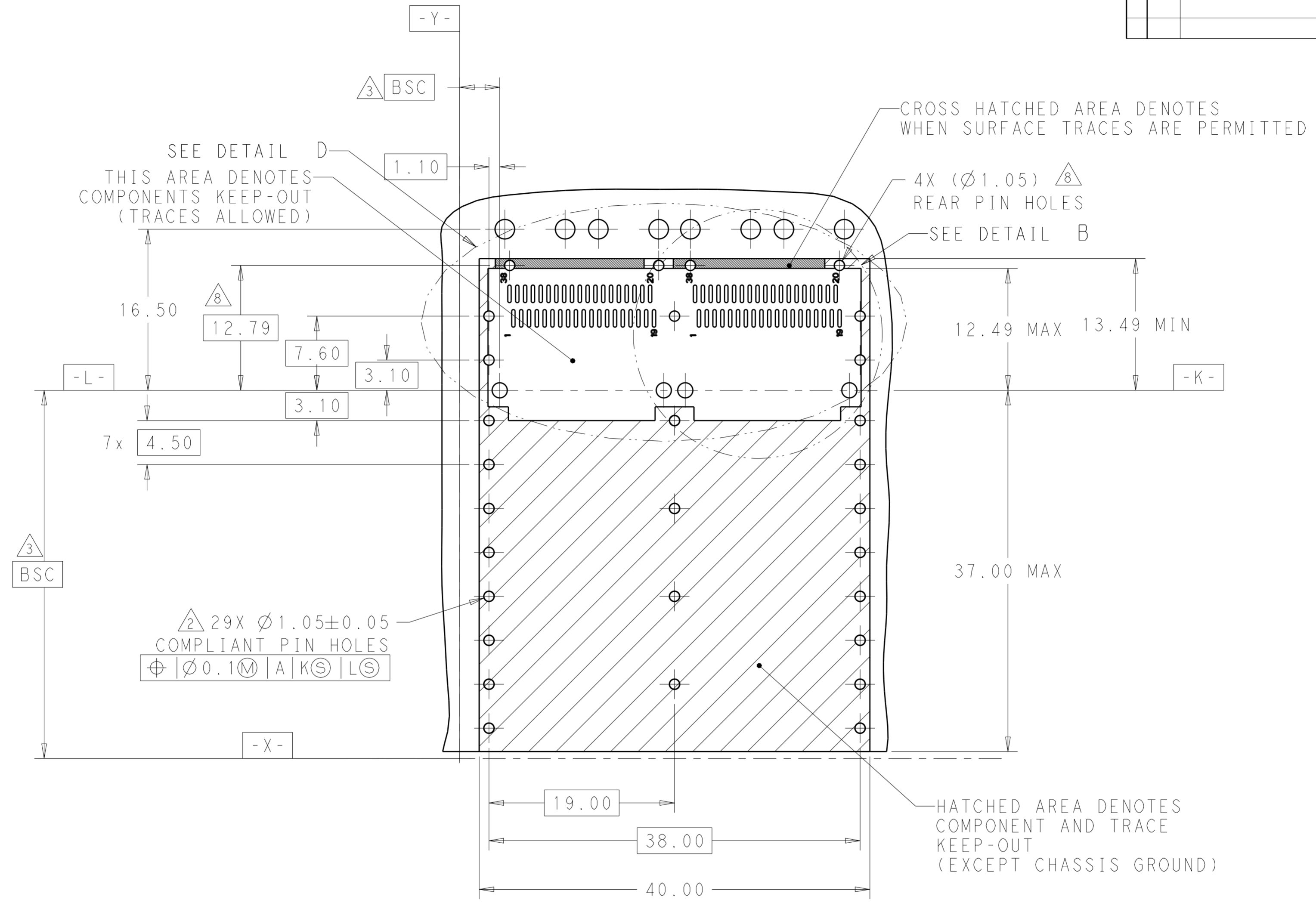


RECOMMENDED PCB LAYOUT
 SINGLE TYPE
 PCB TOLERANCE: ±0.05
 SCALE 3:1

THIS DRAWING IS A CONTROLLED DOCUMENT.		DWN	16SEP2014	STE TE Connectivity					
DIMENSIONS: mm		CHK	16SEP2014						
TOLERANCES UNLESS OTHERWISE SPECIFIED:		APVD	08NOV2016						
0 PLC ± 1 PLC ±0.25 2 PLC ±0.2 3 PLC ± 4 PLC ± ANGLES ± FINISH SEE NOTES		NAME	RECEPTACLE CAGE ASSEMBLY WITH LIGHT PIPES, THRU BEZEL, 1X2, QSFP28						
MATERIAL SEE NOTES material_2		PRODUCT SPEC	108-19428	SIZE	A200779	CAGE CODE	C-2170807	DRAWING NO	RESTRICTED TO
FINISH SEE NOTES finish_spec_2		APPLICATION SPEC	114-32023	SCALE	3:1	SHEET	4 OF 6	REV	B
		WEIGHT	-	CUSTOMER DRAWING					

THIS DRAWING IS UNPUBLISHED. RELEASED FOR PUBLICATION 20
 © COPYRIGHT 20 BY - ALL RIGHTS RESERVED.

LOC	DIST	REVISIONS			
P	LTR	DESCRIPTION	DATE	DWN	APVD
-	-	SEE SHEET 1	-	-	-



SEE DETAIL D
 THIS AREA DENOTES
 COMPONENTS KEEP-OUT
 (TRACES ALLOWED)

CROSS HATCHED AREA DENOTES
 WHEN SURFACE TRACES ARE PERMITTED

4X (Ø1.05) REAR PIN HOLES
 SEE DETAIL B

29X Ø1.05±0.05
 COMPLIANT PIN HOLES
 Ø0.1 | M | A | K | S | L | S

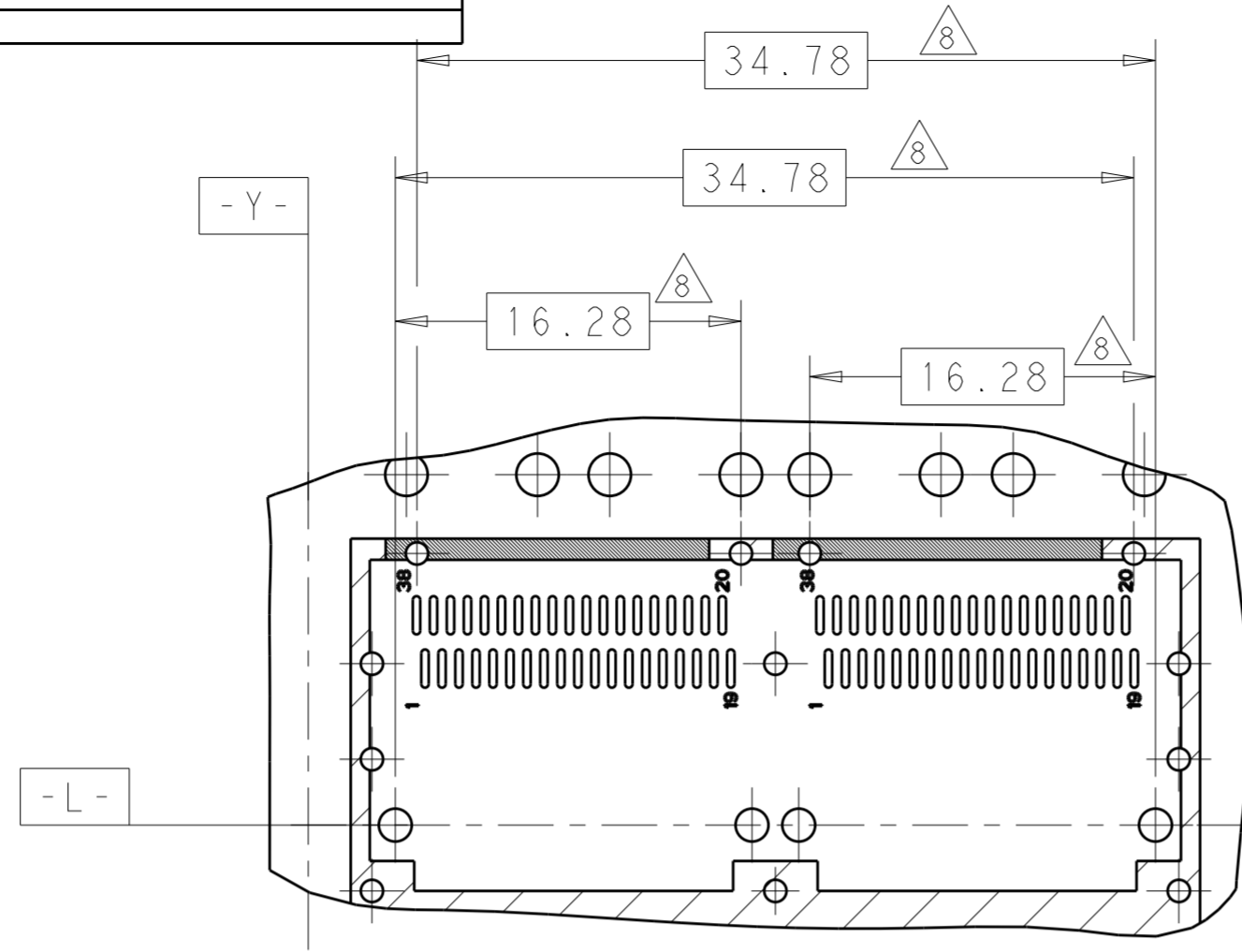
HATCHED AREA DENOTES
 COMPONENT AND TRACE
 KEEP-OUT
 (EXCEPT CHASSIS GROUND)

RECOMMENDED PCB LAYOUT
 BELLY TO BELLY TYPE
 PCB TOLERANCE: ±0.05
 SCALE 3:1

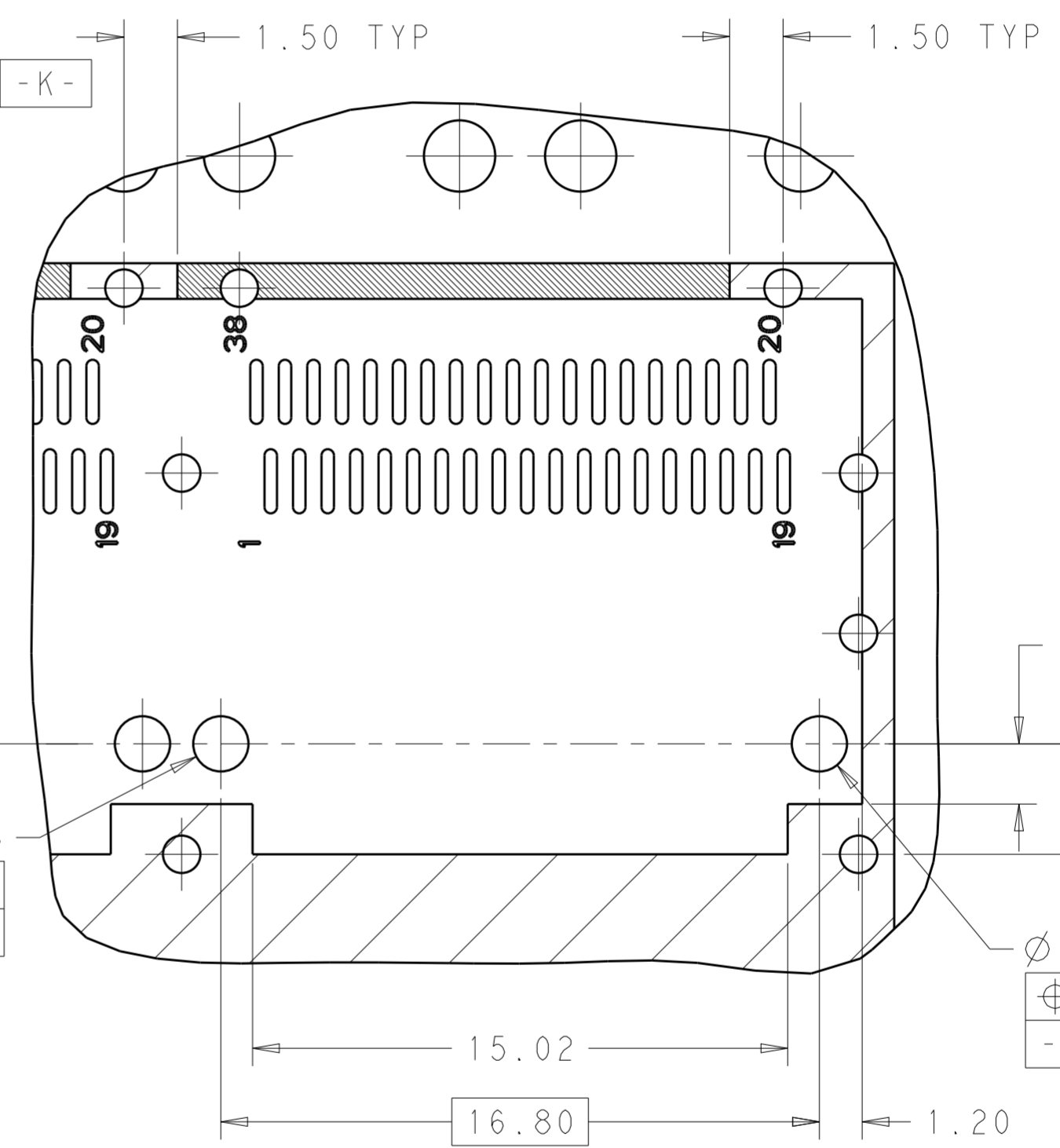
THIS DRAWING IS A CONTROLLED DOCUMENT.		DWN BING LIU 16SEP2014	STE TE Connectivity	
DIMENSIONS: mm		CHK JASON YANG 16SEP2014		
TOLERANCES UNLESS OTHERWISE SPECIFIED:		APVD SEAN HAN 08NOV2016	NAME RECEPTACLE CAGE ASSEMBLY WITH LIGHT PIPES, THRU BEZEL, 1X2, QSFP28	
0 PLC ±	1 PLC ±0.25	PRODUCT SPEC 108-19428	SIZE CAGE CODE DRAWING NO. RESTRICTED TO	
2 PLC ±0.2	3 PLC ±	APPLICATION SPEC 114-32023	A200779 C-2170807	
4 PLC ±	ANGLES ±	WEIGHT	SCALE 3:1 SHEET 5 OF 6 REV B	
MATERIAL SEE NOTES material_2	FINISH SEE NOTES finish_spec_2	CUSTOMER DRAWING		

THIS DRAWING IS UNPUBLISHED. RELEASED FOR PUBLICATION 20
 © COPYRIGHT 20 BY - ALL RIGHTS RESERVED.

LOC		DIST		REVISIONS				
P	LTR	DESCRIPTION	DATE	DWN	APVD			
-	-	SEE SHEET 1	-	-	-			

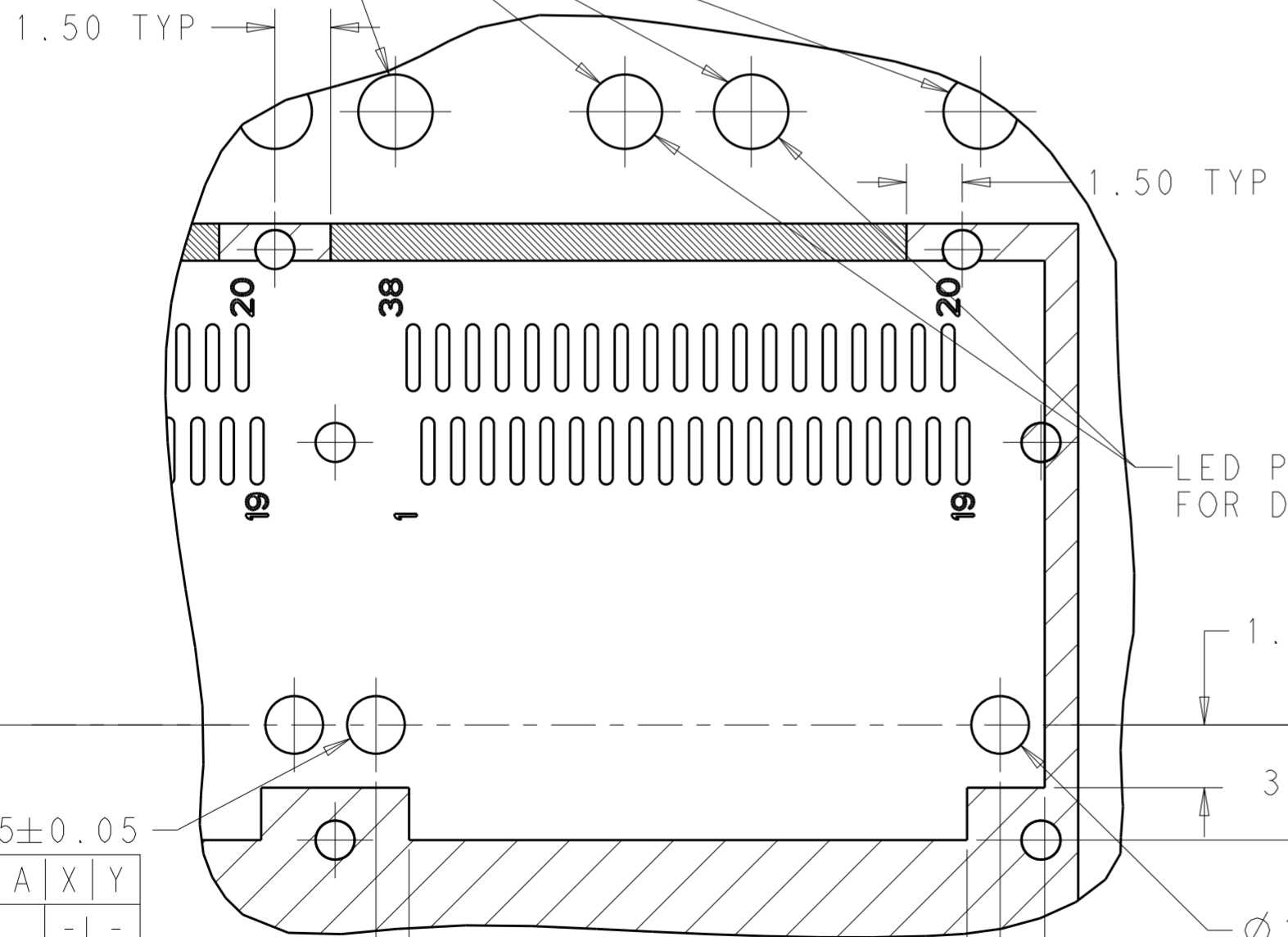


DETAIL D
SCALE 3:1



DETAIL B
SCALE 6:1

LED POSITION FOR QUAD LIGHT PIPE



DETAIL A
SCALE 6:1

LED POSITION FOR DUAL LIGHT PIPE

THIS DRAWING IS A CONTROLLED DOCUMENT.		DWN BING LIU 16SEP2014	TE Connectivity
DIMENSIONS: mm		CHK JASON YANG 16SEP2014	
TOLERANCES UNLESS OTHERWISE SPECIFIED:		APVD SEAN HAN 08NOV2016	
0 PLC ± 1 PLC ±0.25 2 PLC ±0.2 3 PLC ± 4 PLC ± ANGLES ±		NAME RECEPTACLE CAGE ASSEMBLY WITH LIGHT PIPES, THRU BEZEL, 1X2, QSFP28	
MATERIAL SEE NOTES material_2	FINISH SEE NOTES finish_spec_2	PRODUCT SPEC 108-19428	SIZE CAGE CODE DRAWING NO RESTRICTED TO
		APPLICATION SPEC 114-32023	A200779C-2170807
		WEIGHT -	SCALE 3:1 SHEET 6 OF 6 REV B
		CUSTOMER DRAWING	