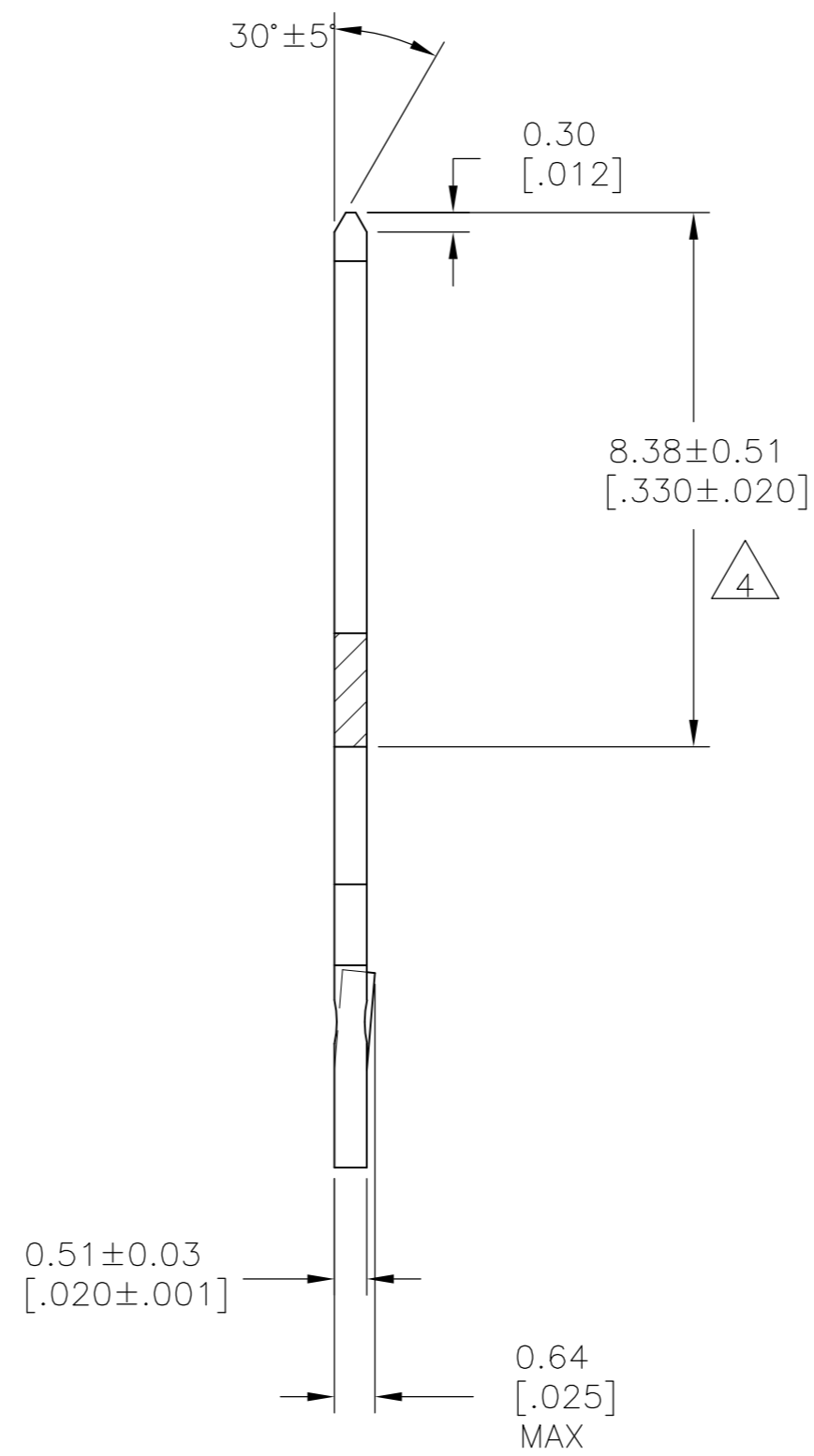
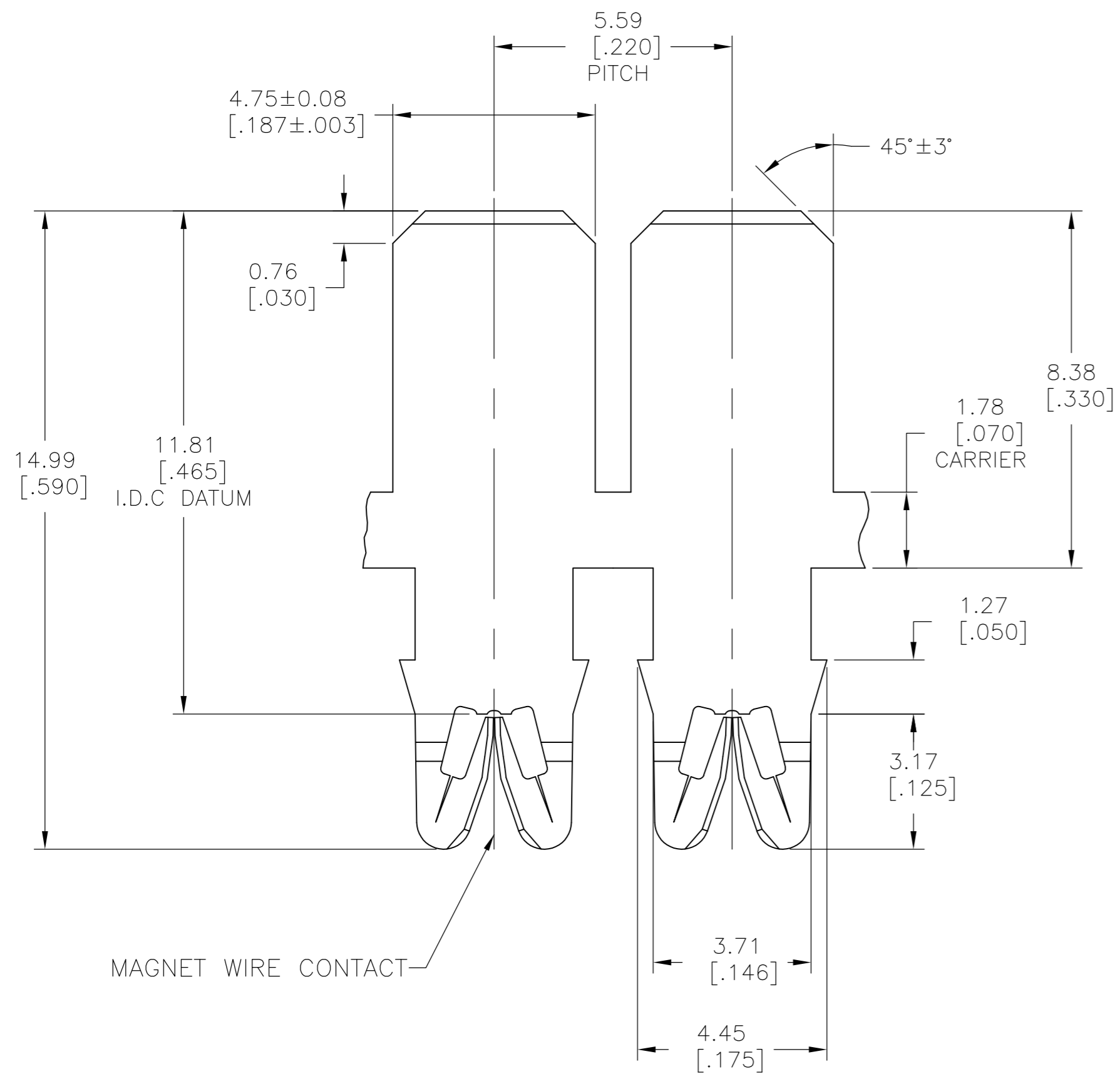
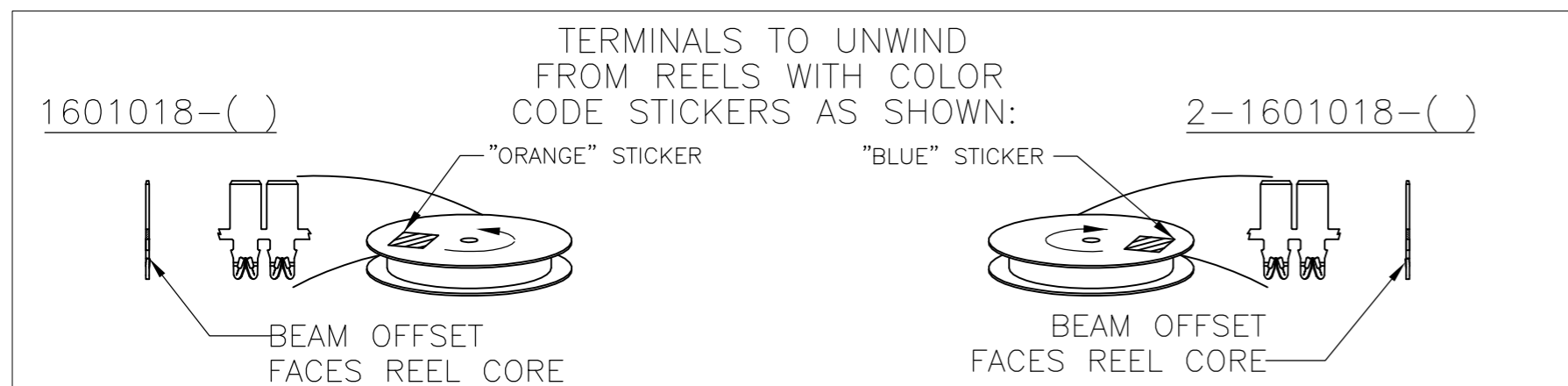
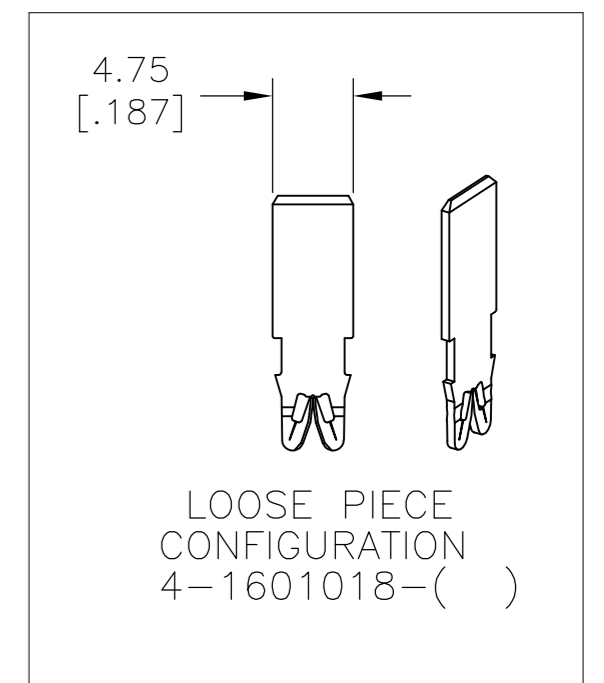


THIS DRAWING IS UNPUBLISHED. RELEASED FOR PUBLICATION  
 © COPYRIGHT BY TYCO ELECTRONICS CORPORATION. ALL INTERNATIONAL RIGHTS RESERVED.

LOC	DIST	REVISIONS			
P	LTR	DESCRIPTION	DATE	DWN	APVD
AF	50	E2	REVISED PER ECR-10-013696	19AUG10	HMR GJ



- SPECIFICATIONS:  
MAGNET WIRE #18 - #34 AWG, 1.02MM(.040) -0.16MM(.006) DIA. COPPER.
- POCKET RECOMMENDATION: #1601427
- △3 TERMINAL TO BE APPLIED PER TYCO ELECTRONICS SPECIFICATION #114-13166 FIGURE 15.
- △4 SELECTIVE PLATE THIS AREA:  
0.00076 [.00030] MIN GOLD PLATE OVER  
0.00127 [.00050] MIN NICKEL UNDERPLATE  
OVER ENTIRE TERMINAL.
- △5 PRELIMINARY - NOT FOR PRODUCTION.
- TWO(2) TERMINALS SHOWN FOR ILLUSTRATION PURPOSES ONLY.



FINISH	REFERENCE PART NUMBER	TE PART NUMBER
△4	-	△5 2-1601018-3
PRE-TIN PLATE OVER COPPER UNDERPLATE	131-042-014	2-1601018-2
△4	-	△5 1601018-3
PRE-TIN PLATE OVER COPPER UNDERPLATE	131-044-014	1601018-2
UNPLATED	-	△5 1601018-1

THIS DRAWING IS A CONTROLLED DOCUMENT.		DWN J.WELLER 11JAN2002	Tyco Electronics Corporation Harrisburg, PA 17105-3608
DIMENSIONS: mm [INCHES]		CHK M.FEHER 11JAN2002	
TOLERANCES UNLESS OTHERWISE SPECIFIED:		APVD K.RANDOLPH 11JAN2002	
0 PLC ± - 1 PLC ± - 2 PLC ± 0.13[.005] 3 PLC ± - 4 PLC ± - ANGLES ± 2°		NAME STANDARD RANGE WIRE TO 4.75[.187] BARB TAB SIAMEZE TERMINAL	
MATERIAL BRASS, FULL HARD	FINISH SEE TABLE	WEIGHT -	SIZE A2 CAGE CODE 00779 DRAWING NO C=1601018 RESTRICTED TO -
CUSTOMER DRAWING			SCALE 9:1 SHEET 1 OF 1 REV E2