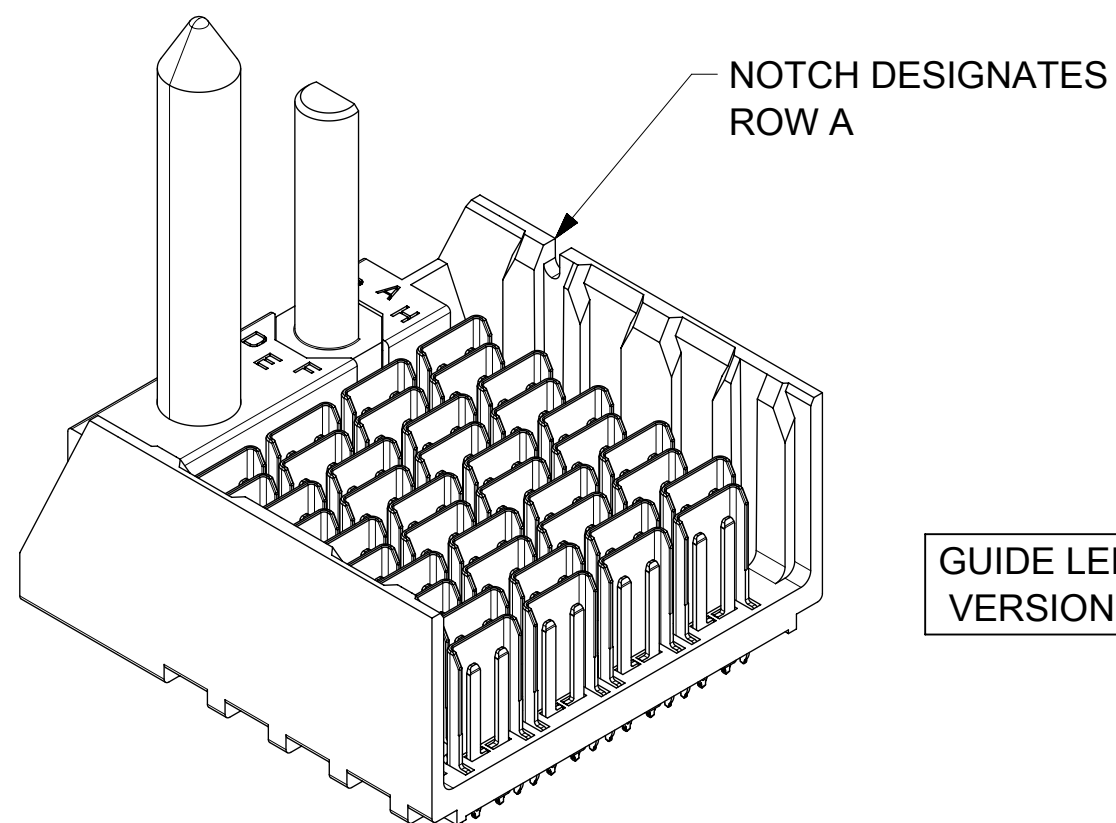
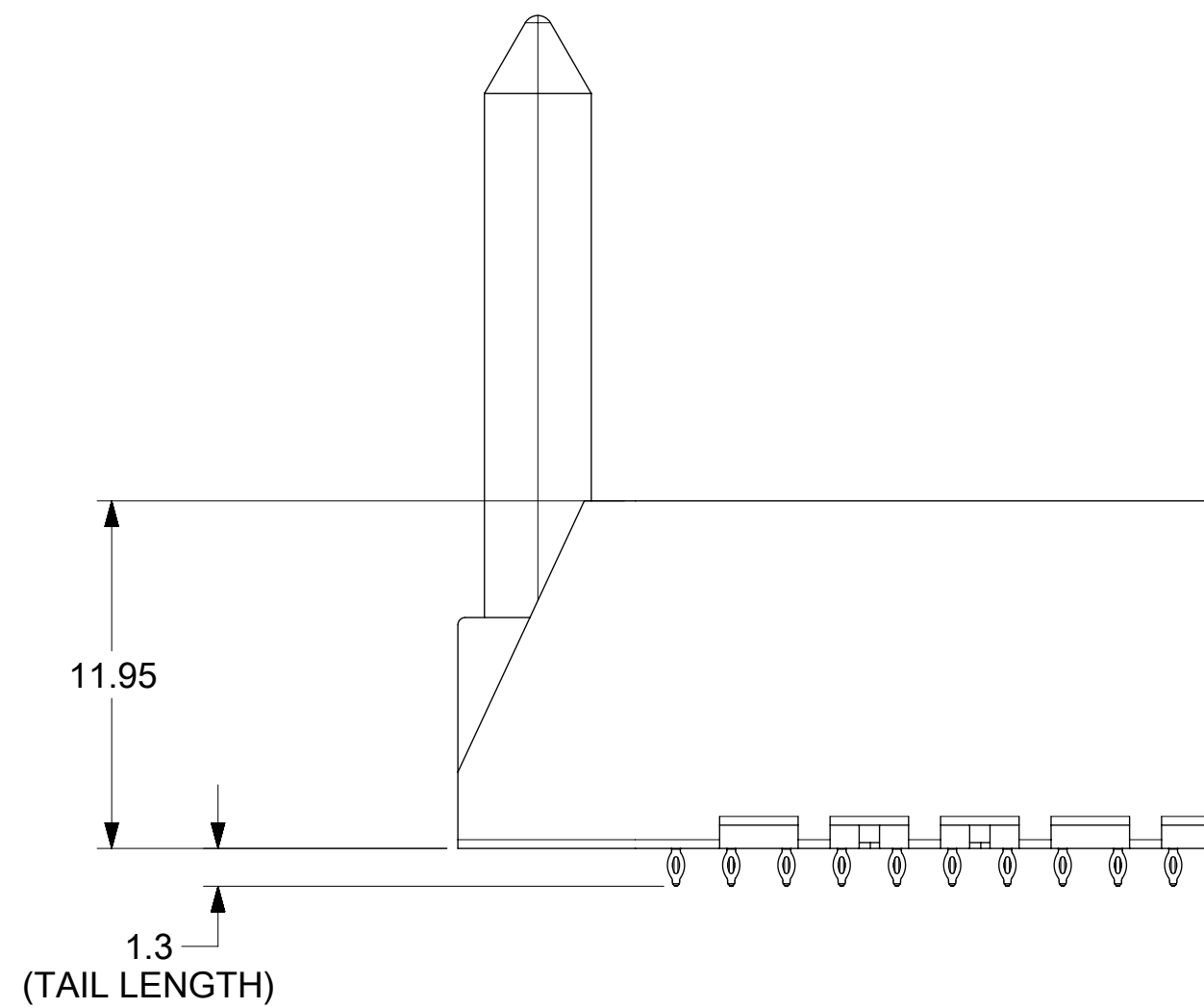
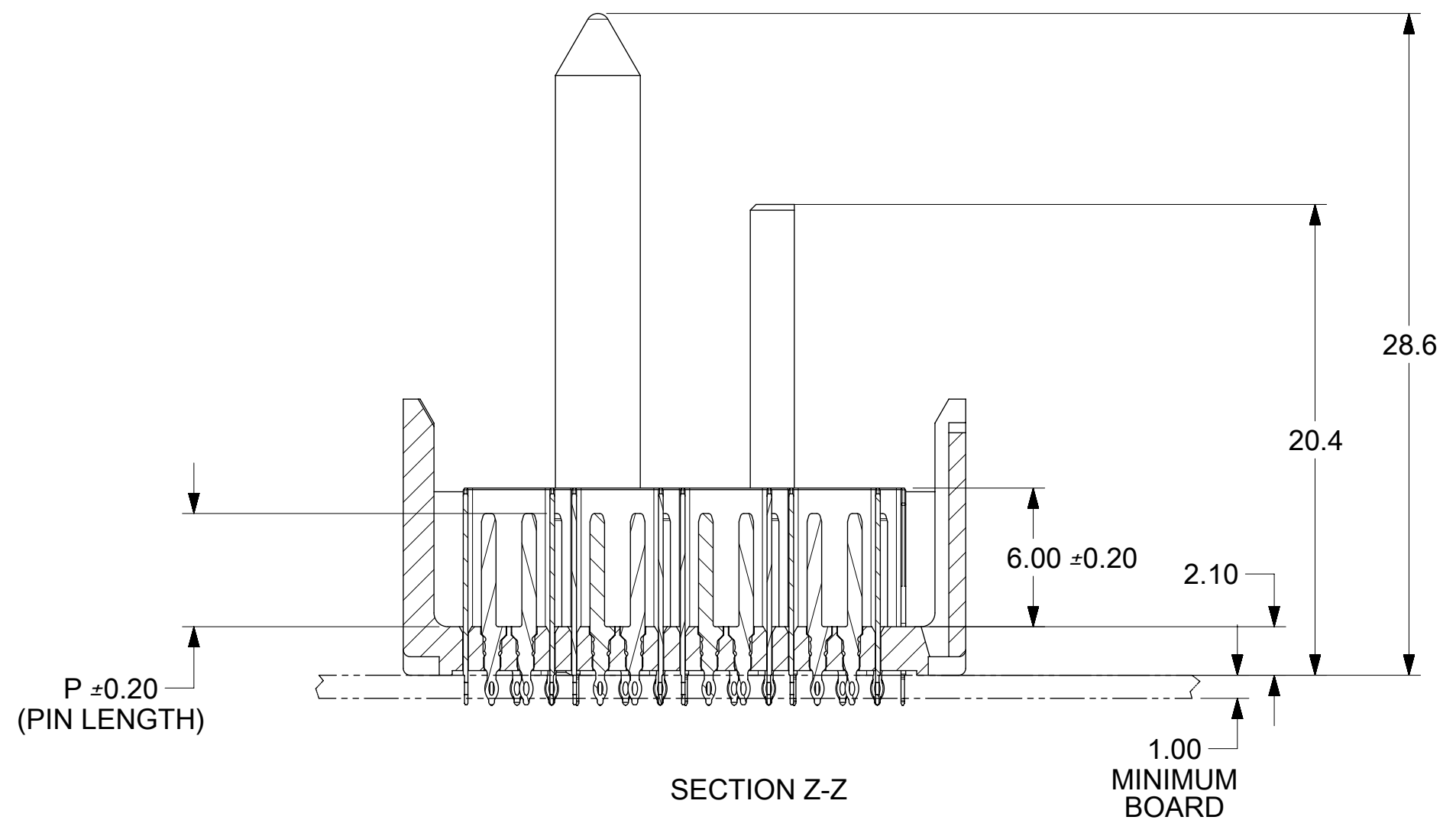


- NOTES:
1. MATERIALS: HOUSING - LIQUID CRYSTAL POLYMER (LCP)
GLASS-FILLED, UL94V-0
TERMINALS - HIGH PERFORMANCE COPPER ALLOY
 2. FINISH: 30uIN GOLD IN CONTACT AREA.
SELECTIVE TIN ON PCB TAILS.
NICKEL OVERALL.
 3. REFER TO MOLEX PRODUCT SPECIFICATION PS-171320-999 FOR PERFORMANCE SPECIFICATIONS.
 4. THIS PART CONFORMS TO CLASS B REQUIREMENTS OF MOLEX COSMETIC SPEC PS-45499-002.
 5. PRODUCT WILL BE PACKAGED PER PK-78888-084.
 6. SEE SHEETS 2, 3, 4, AND 5 FOR HOLE PATTERN AND MATED PART DIMENSIONS.
 7. MATES WITH IMPEL DC SERIES NUMBER 171320.
 8. REFER TO IMPEL PCB ROUTING GUIDE AS-171320-990 FOR ANTIPAD, ROUTING RECOMMENDATIONS, AND ADDITIONAL PCB INFORMATION.
 9. WHEN STACKING MODULES END TO END, THE MINIMUM COLUMN TO COLUMN SPACING IS 2.65mm.
 10. THE KEEP-OUT ZONE FOR THE BP HOUSING LENGTH INCLUDES THE NECESSARY SPACE REQUIRED FOR THE MATING DAUGHTERCARD HOUSING.
 11. PART IS SUPPLIED WITH ONE 2-56 UNC-2A SCREW.

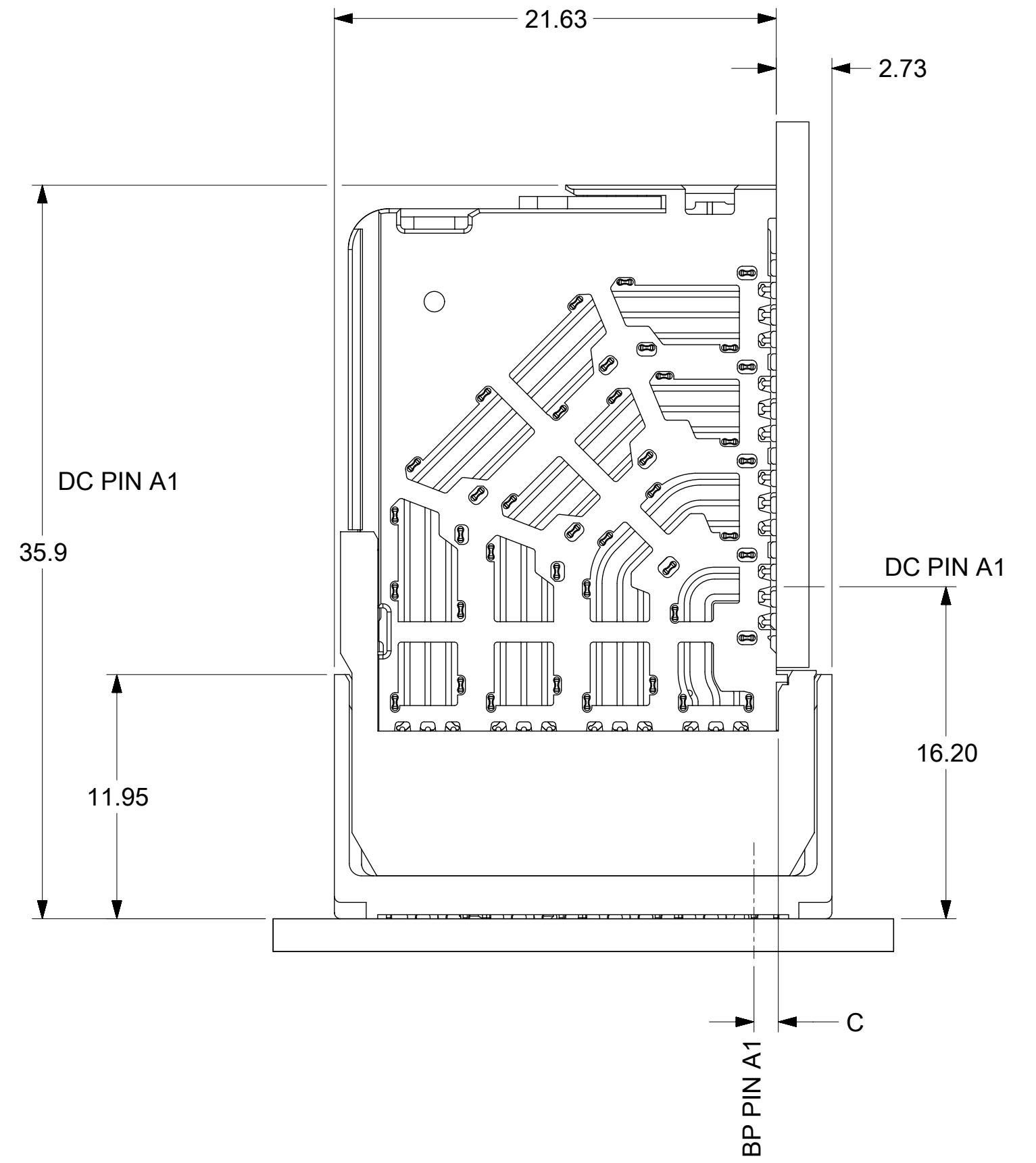


GUIDE LEFT VERSION



THIS DRAWING CONTAINS INFORMATION THAT IS PROPRIETARY TO MOLEX ELECTRONIC TECHNOLOGIES, LLC AND SHOULD NOT BE USED WITHOUT WRITTEN PERMISSION														
MIGRATED TO NX EC NO: 172623 DRWN: TMARRI CHKD: DWLEED1 REV: APPR: DWLEED1	2017/11/07		2018/06/07		2018/06/07		GENERAL TOLERANCES (UNLESS SPECIFIED)		DIMENSION UNITS		SCALE			
							ANGULAR TOL ± 0.5 °		MM		4:1			
	4 PLACES ±		3 PLACES ±		2 PLACES ± 0.13		1 PLACE ± 0.25		DRWN BY		DATE			
	0 PLACES ±		DRAFT WHERE APPLICABLE MUST REMAIN WITHIN DIMENSIONS		C		THIRD ANGLE PROJECTION		BJANOWIAK		2012/11/29			
									CHKD BY		DATE			
								APPR BY		DATE	PRODUCT CUSTOMER DRAWING			
								JLAURX		2013/12/09				
								DRAWING SIZE		THIRD ANGLE PROJECTION		SERIES	MATERIAL NUMBER	CUSTOMER
								C		171315		SEE CHART	GENERAL MARKET	
										DOCUMENT NUMBER		DOC TYPE	DOC PART	SHEET NUMBER
										SD-171315-0002		PSD	001	1 OF 5

MATERIAL NUMBER	NUMBER OF COLUMNS	NUMBER OF DIFF PAIR	DIM "A"	DIM "B"	DIM "C"	DIM "P"	PTH ϕ
171315-33*4	6	24	18.10	9.50	1.10	4.90	0.46±0.05
171315-33*5	6	24	18.10	9.50	1.10	5.50	0.46±0.05
171315-33*7	6	24	18.10	9.50	1.20	4.90	0.36±0.05
171315-33*8	6	24	18.10	9.50	1.20	5.50	0.36±0.05
171315-38*4	8	32	21.90	13.30	1.10	4.90	0.46±0.05
171315-38*5	8	32	21.90	13.30	1.10	5.50	0.46±0.05
171315-38*7	8	32	21.90	13.30	1.20	4.90	0.36±0.05
171315-38*8	8	32	21.90	13.30	1.20	5.50	0.36±0.05
171315-31*4	10	40	25.70	17.10	1.10	4.90	0.46±0.05
171315-31*5	10	40	25.70	17.10	1.10	5.50	0.46±0.05
171315-31*7	10	40	25.70	17.10	1.20	4.90	0.36±0.05
171315-31*8	10	40	25.70	17.10	1.20	5.50	0.36±0.05
171315-32*4	12	48	29.50	20.90	1.10	4.90	0.46±0.05
171315-32*5	12	48	29.50	20.90	1.10	5.50	0.46±0.05
171315-32*7	12	48	29.50	20.90	1.20	4.90	0.36±0.05
171315-32*8	12	48	29.50	20.90	1.20	5.50	0.36±0.05
171315-36*4	16	64	37.10	28.50	1.10	4.90	0.46±0.05
171315-36*5	16	64	37.10	28.50	1.10	5.50	0.46±0.05
171315-36*7	16	64	37.10	28.50	1.20	4.90	0.36±0.05
171315-36*8	16	64	37.10	28.50	1.20	5.50	0.36±0.05



MATED PART DIMENSIONS

171315-****

MODULE TYPE
 3 = GUIDE LEFT
 7 = GUIDE LEFT END WALL

PIN LENGTH (P)
 4 = 4.90 (0.46 PTH)
 5 = 5.50 (0.46 PTH)
 7 = 4.90 (0.36 PTH)
 8 = 5.50 (0.36 PTH)

OF COLUMNS
 3 = 6 COL
 8 = 8 COL
 1 = 10 COL
 2 = 12 COL
 6 = 16 COL

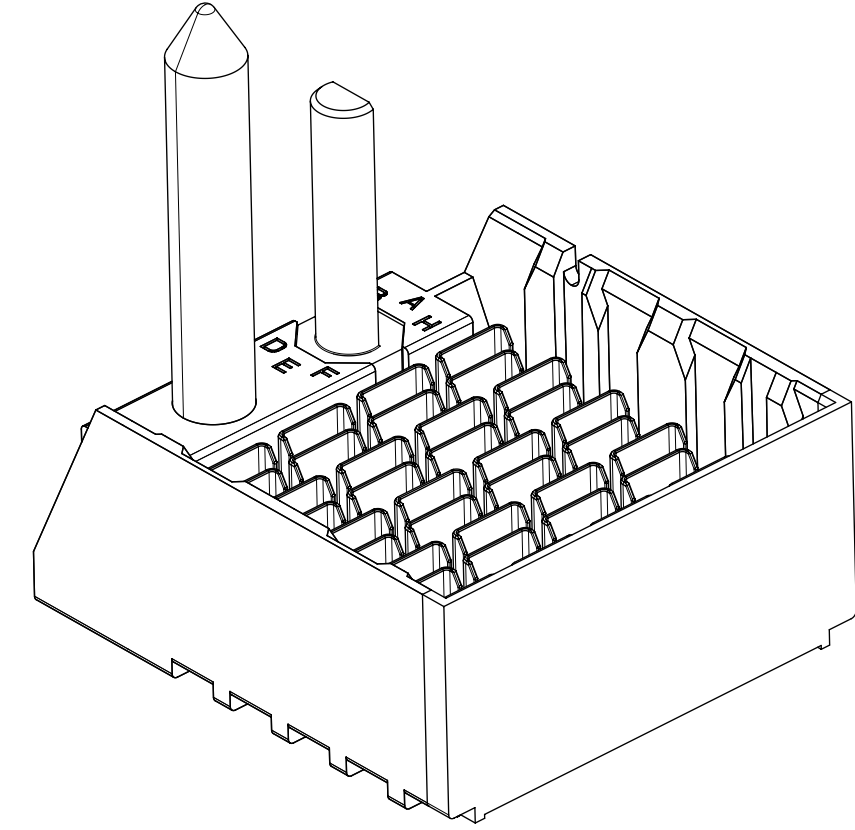
KEY ORIENTATION
 0 = NO KEY
 1 = A
 2 = B
 3 = C
 4 = D
 5 = E
 6 = F
 7 = G
 8 = H

THIS DRAWING CONTAINS INFORMATION THAT IS PROPRIETARY TO MOLEX ELECTRONIC TECHNOLOGIES, LLC AND SHOULD NOT BE USED WITHOUT WRITTEN PERMISSION

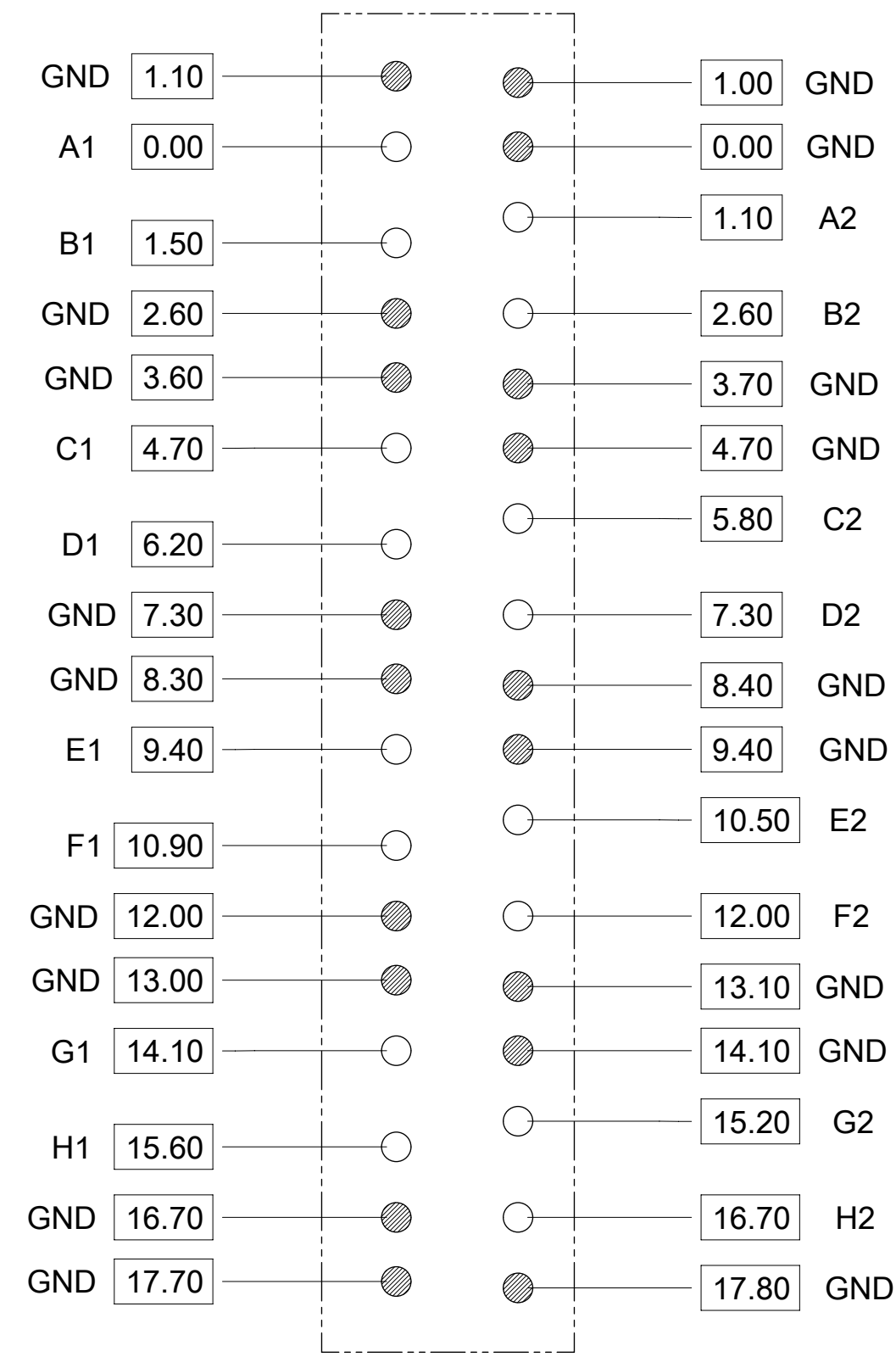
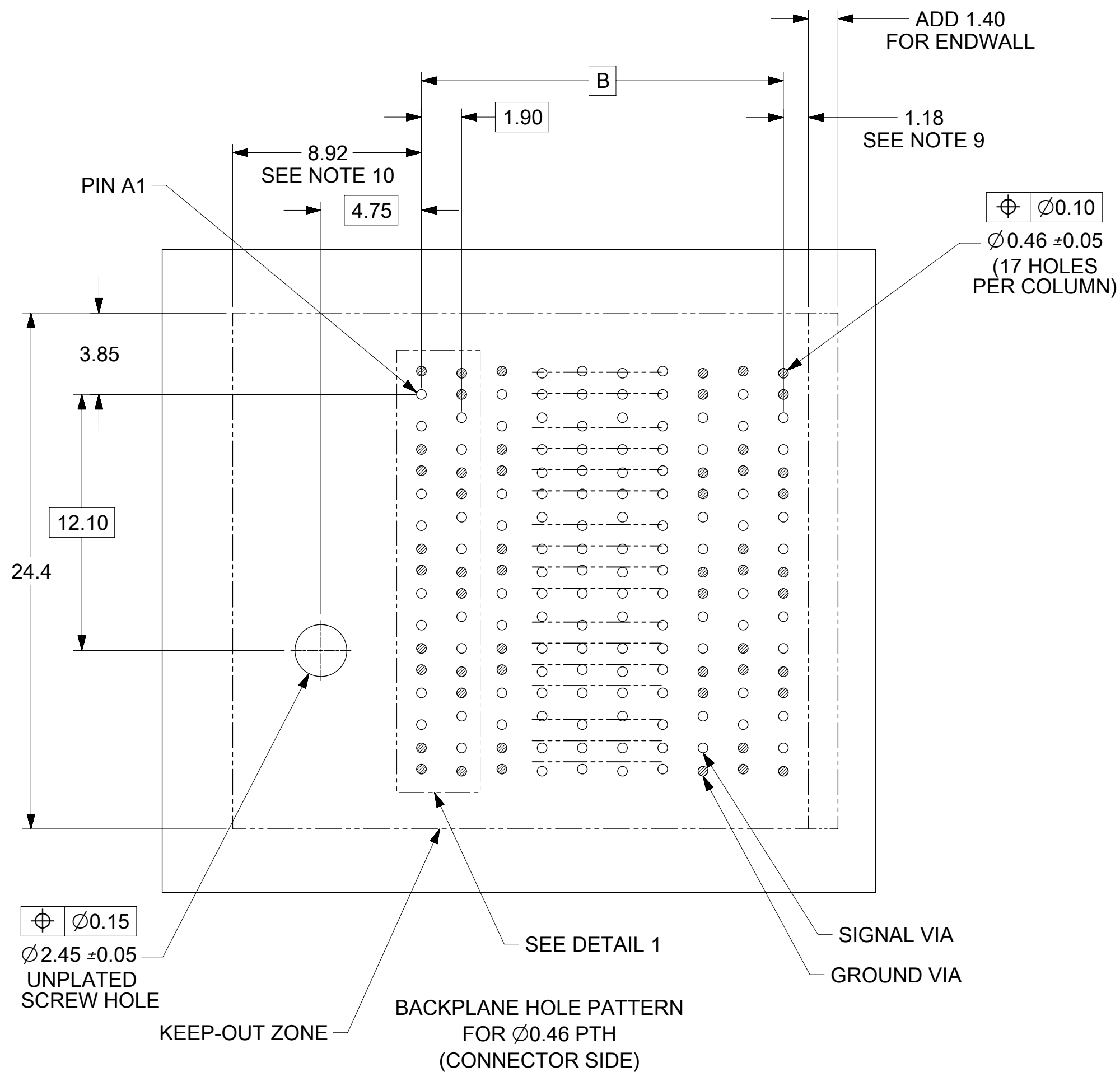
MIGRATED TO NX EC NO: 172623 DRWN: TMARRI CHKD: DWLEED1 REV / APPR: DWLEED1	2017/11/07	GENERAL TOLERANCES (UNLESS SPECIFIED) ANGULAR TOL ± 0.5 °	DIMENSION UNITS	SCALE	molex IMPEL 4 PAIR BACKPLANE GUIDED LEFT ASSEMBLY SALES DRAWING
	2018/06/07		MM	4:1	
	2018/06/07		DRWN BY	DATE	
			BJANOWIAK	2012/11/29	
			CHKD BY	DATE	PRODUCT CUSTOMER DRAWING
			APPR BY	DATE	
			JLAURX	2013/12/09	
			DRAWING SIZE	THIRD ANGLE PROJECTION	SERIES
			C		171315
					MATERIAL NUMBER
					SEE CHART
					CUSTOMER
					GENERAL MARKET
					DOCUMENT NUMBER
					SD-171315-0002
					DOC TYPE
					PSD
					DOC PART
					001
					SHEET NUMBER
					2 OF 5

MATERIAL NUMBER	NUMBER OF COLUMNS	NUMBER OF DIFF PAIR	DIM "A"	DIM "B"	DIM "C"	DIM "P"	PTH ϕ
171315-73*4	6	24	19.50	9.50	1.10	4.90	0.46±0.05
171315-73*5	6	24	19.50	9.50	1.10	5.50	0.46±0.05
171315-73*7	6	24	19.50	9.50	1.20	4.90	0.36±0.05
171315-73*8	6	24	19.50	9.50	1.20	5.50	0.36±0.05
171315-78*4	8	32	23.30	13.30	1.10	4.90	0.46±0.05
171315-78*5	8	32	23.30	13.30	1.10	5.50	0.46±0.05
171315-78*7	8	32	23.30	13.30	1.20	4.90	0.36±0.05
171315-78*8	8	32	23.30	13.30	1.20	5.50	0.36±0.05
171315-71*4	10	40	27.10	17.10	1.10	4.90	0.46±0.05
171315-71*5	10	40	27.10	17.10	1.10	5.50	0.46±0.05
171315-71*7	10	40	27.10	17.10	1.20	4.90	0.36±0.05
171315-71*8	10	40	27.10	17.10	1.20	5.50	0.36±0.05
171315-72*4	12	48	30.90	20.90	1.10	4.90	0.46±0.05
171315-72*5	12	48	30.90	20.90	1.10	5.50	0.46±0.05
171315-72*7	12	48	30.90	20.90	1.20	4.90	0.36±0.05
171315-72*8	12	48	30.90	20.90	1.20	5.50	0.36±0.05
171315-76*4	16	64	38.50	28.50	1.10	4.90	0.46±0.05
171315-76*5	16	64	38.50	28.50	1.10	5.50	0.46±0.05
171315-76*7	16	64	38.50	28.50	1.20	4.90	0.36±0.05
171315-76*8	16	64	38.50	28.50	1.20	5.50	0.36±0.05

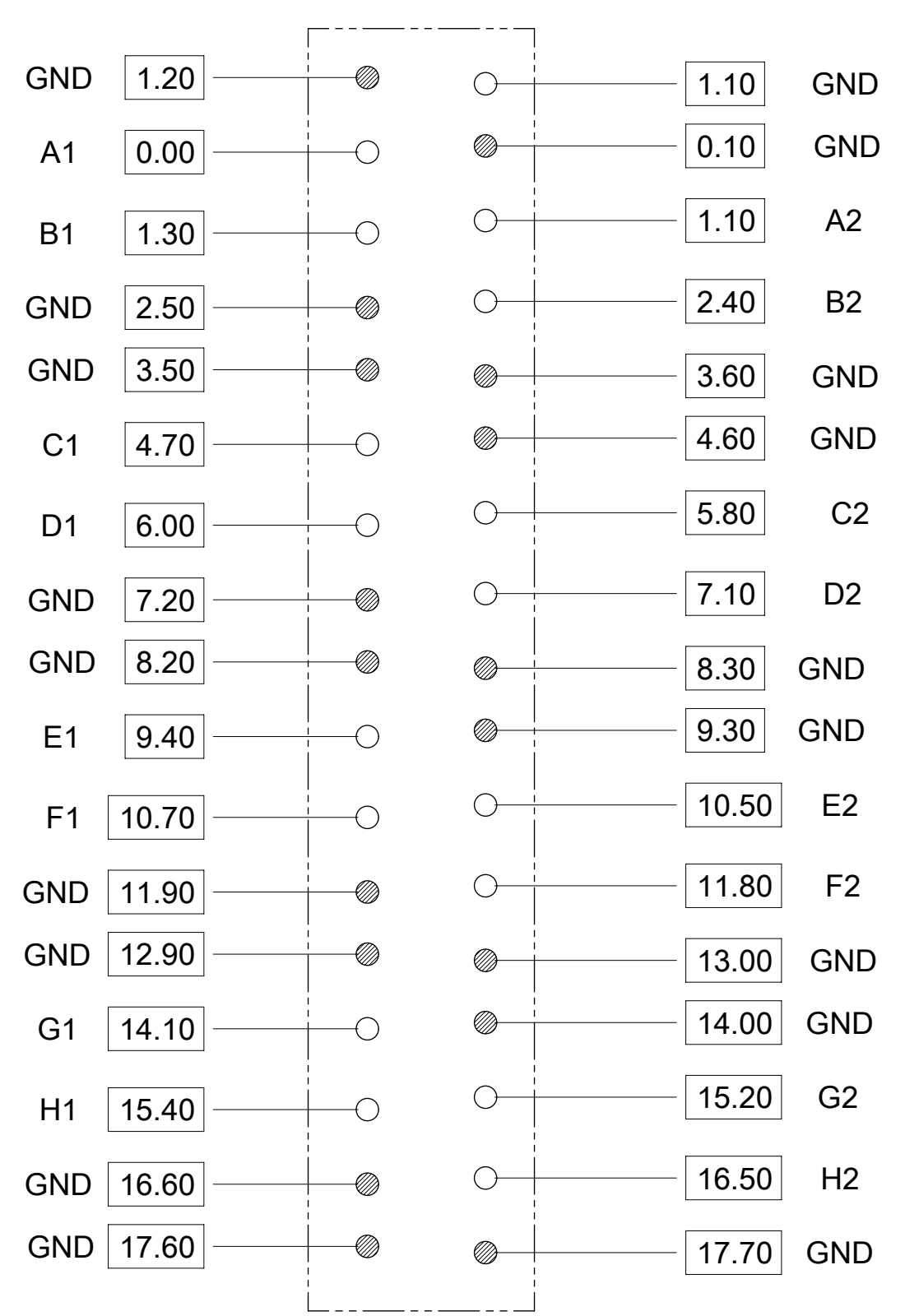
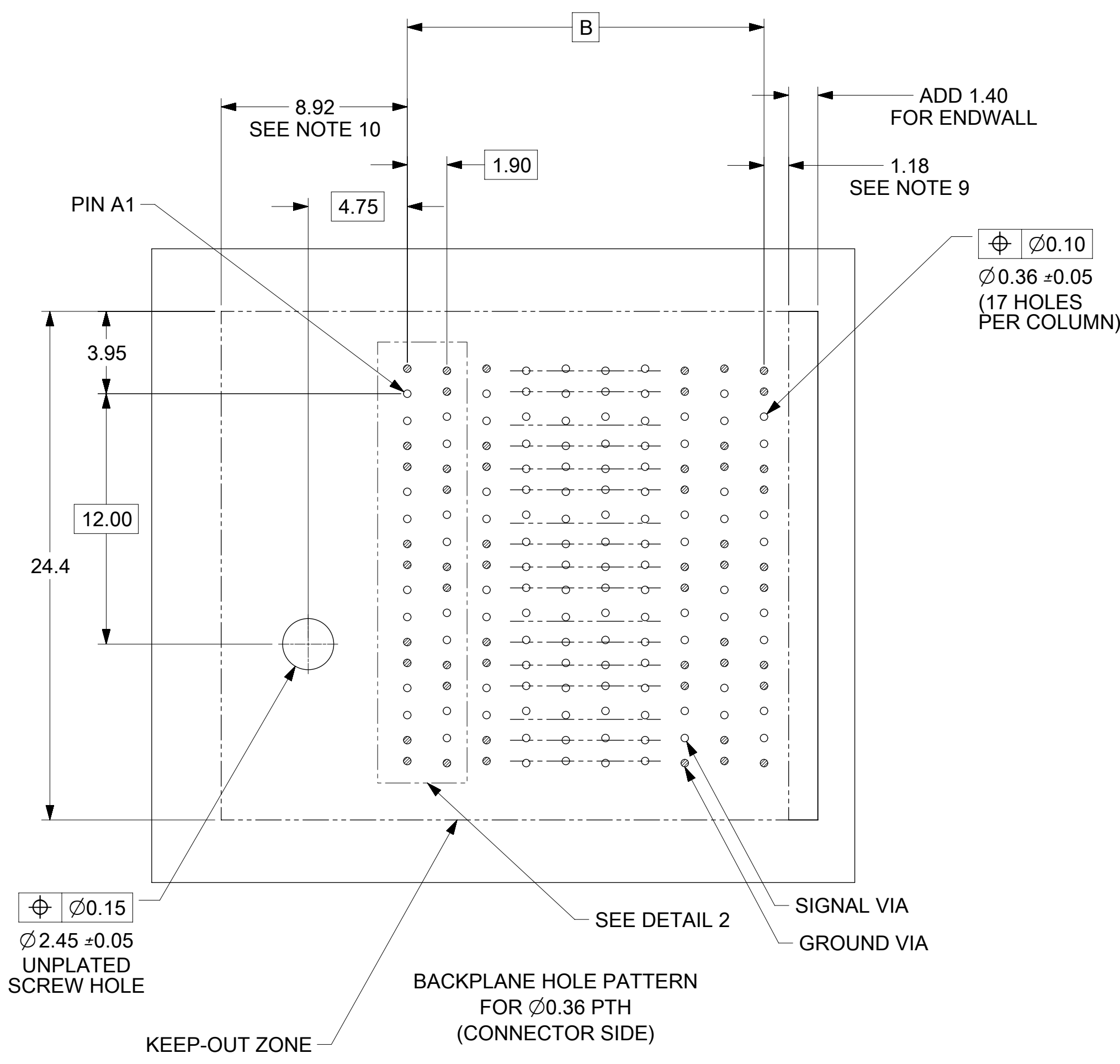
GUIDE LEFT
END WALL VERSION



THIS DRAWING CONTAINS INFORMATION THAT IS PROPRIETARY TO MOLEX ELECTRONIC TECHNOLOGIES, LLC AND SHOULD NOT BE USED WITHOUT WRITTEN PERMISSION											
MIGRATED TO NX EC NO: 172623 DRWN: TMARRI CHKD: DWLEED01 REV / APPR: DWLEED01	2017/11/07		2018/06/07		2018/06/07		GENERAL TOLERANCES (UNLESS SPECIFIED)		DIMENSION UNITS		SCALE
							ANGULAR TOL ± 0.5 °		MM		3:1
	4 PLACES ±		3 PLACES ±		2 PLACES ± 0.13		1 PLACE ± 0.25		DRWN BY		DATE
	0 PLACES ±								BJANOWIAK		2012/11/29
									CHKD BY		DATE
									APPR BY		DATE
								JLAURX		2013/12/09	
								DRAFT WHERE APPLICABLE MUST REMAIN WITHIN DIMENSIONS		DRAWING SIZE	
								C		THIRD ANGLE PROJECTION	
										SERIES	
										MATERIAL NUMBER	
										CUSTOMER	
										PRODUCT CUSTOMER DRAWING	
										GENERAL MARKET	
										DOCUMENT NUMBER	
										DOCS	
										DOC PART	
										SHEET NUMBER	
										3 OF 5	



THIS DRAWING CONTAINS INFORMATION THAT IS PROPRIETARY TO MOLEX ELECTRONIC TECHNOLOGIES, LLC AND SHOULD NOT BE USED WITHOUT WRITTEN PERMISSION										
MIGRATED TO NX EC NO: 172623 DRWN: TMARRI CHKD: DWLEED01 REV / APPR: DWLEED01	GENERAL TOLERANCES (UNLESS SPECIFIED)			DIMENSION UNITS	SCALE	molex IMPEL 4 PAIR BACKPLANE GUIDED LEFT ASSEMBLY SALES DRAWING				
	ANGULAR TOL $\pm 0.5^\circ$			MM	5:1					
	4 PLACES \pm			DRWN BY	DATE	PRODUCT CUSTOMER DRAWING				
	3 PLACES \pm			BJANOWIAK	2012/11/29					
	2 PLACES ± 0.13			CHKD BY	DATE	SERIES MATERIAL NUMBER CUSTOMER 171315 SEE CHART GENERAL MARKET				
	1 PLACE ± 0.25			APPR BY	DATE					
0 PLACES \pm			JLAURX	2013/12/09	DOCUMENT NUMBER DOC TYPE DOC PART SHEET NUMBER SD-171315-0002 PSD 001 4 OF 5					
DRAFT WHERE APPLICABLE MUST REMAIN WITHIN DIMENSIONS			DRAWING SIZE	THIRD ANGLE PROJECTION						
A2	C									



ODD COLUMN DIMENSIONS

DETAIL 2
SCALE 10:1

EVEN COLUMN DIMENSIONS

THIS DRAWING CONTAINS INFORMATION THAT IS PROPRIETARY TO MOLEX ELECTRONIC TECHNOLOGIES, LLC AND SHOULD NOT BE USED WITHOUT WRITTEN PERMISSION

EC NO: 172623 DRWN: TMARRI CHKD: DWLEED1 REV APPR: DWLEED1	2017/11/07 2018/06/07 2018/06/07	GENERAL TOLERANCES (UNLESS SPECIFIED) ANGULAR TOL $\pm 0.5^\circ$ 4 PLACES \pm 3 PLACES \pm 2 PLACES ± 0.13 1 PLACE ± 0.25 0 PLACES \pm	DIMENSION UNITS: MM SCALE: 5:1 DRWN BY: BIANOWIAK DATE: 2012/11/29 CHKD BY: DATE:	
	PRODUCT CUSTOMER DRAWING		APPR BY: JLAURX DATE: 2013/12/09	
	DRAFT WHERE APPLICABLE MUST REMAIN WITHIN DIMENSIONS		DRAWING SIZE: C THIRD ANGLE PROJECTION	SERIES: 171315 MATERIAL NUMBER: SEE CHART CUSTOMER: GENERAL MARKET
	A2		DOCUMENT NUMBER: SD-171315-0002 DOC TYPE: PSD DOC PART: 001 SHEET NUMBER: 5 OF 5	