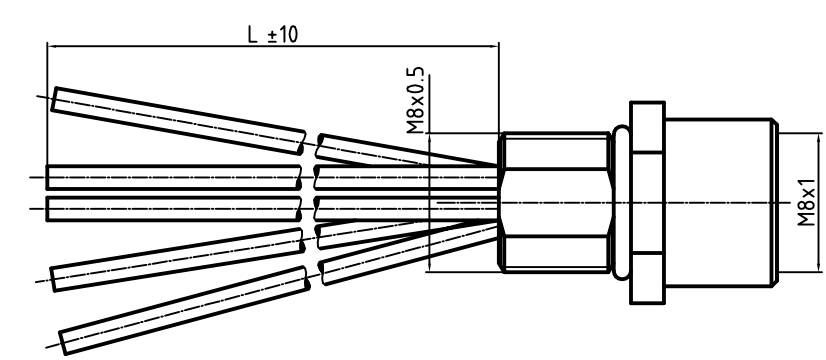
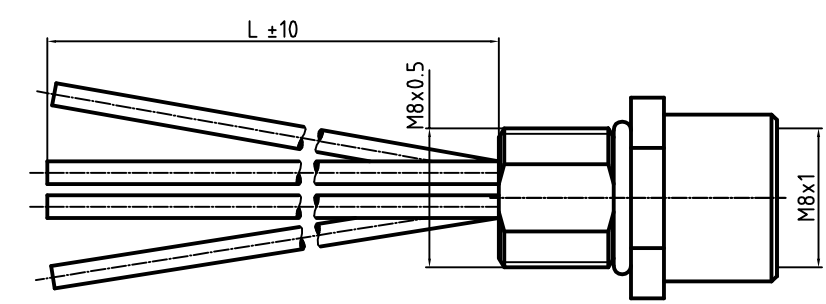
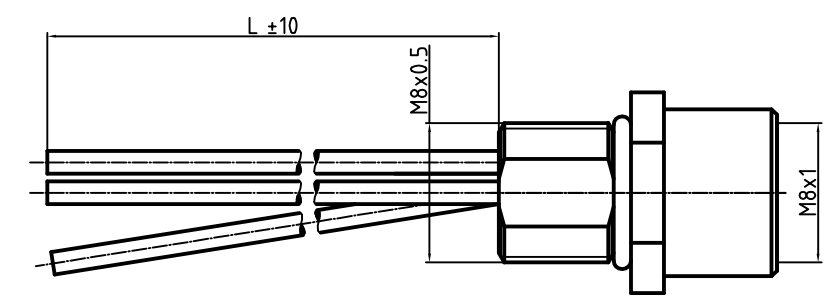
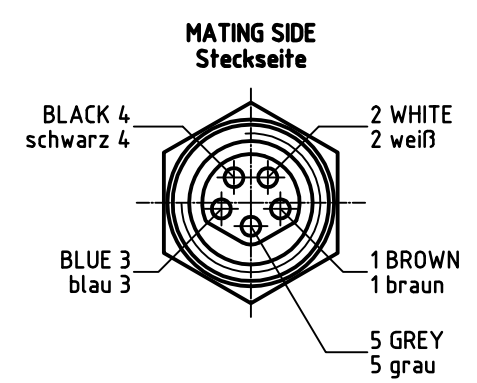
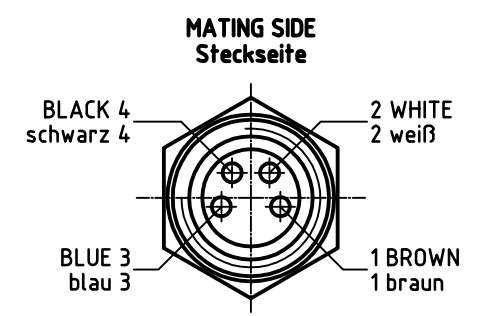
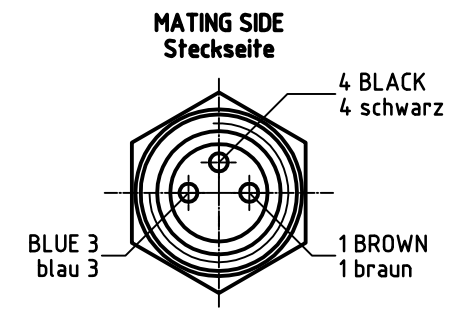
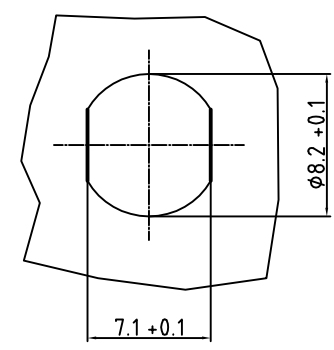


**MOUNTING HOLE**  
Montageausschnitt



**NOTES / Bemerkung:**

1	CRIMP CONTACT Crimp Kontakt	WN-00003
2	CABLE LENGTH TOLERANCE Kabellängentoleranz	WN-00004
3	POTTING Verguss	ES-120000-019
4	PACKAGING FOR RECEPTACLE Verpackung für Gerätestecker	PK-120000-018
5	PIN-ASSIGNMENT Pin-Belegung	IEC 61076-2-104
6	WINDING SPECIFICATION Wickelvorschrift	ES-120000-020

SAP-NUMBER SAP-Nummer	OLD MATERIAL-NO. alte Artikel-Nr.	LENGTH Länge	REPLACED Ersatz für
1200905071	4R3F30E02C200	0.2 M	0908 031GF 09000
1200905102	4R3F30E02C500	0.5 M	0908 031GF 09003
1200905076	4R4F30E02C200	0.2 M	0908 041GF 09000
1200905106	4R5F30E02C200	0.2 M	0908 051GF 09000

DESCRIPTION EC NO.: WEU2009-0457 6/19/09 DRWN: BBRAUCH CH'KD: --- APPR: JKOLB 2009/09/15	QUALITY SYMBOLS ▽ = 0 ∇ = 0
---	-----------------------------------

GENERAL TOLERANCES (UNLESS SPECIFIED)	DIMENSION STYLE	
	mm	INCH
4 PLACES	±---	±---
3 PLACES	±---	±---
2 PLACES	±0.05	±---
1 PLACE	±0.1	±---
ANGULAR ± ---- °		
DRAFT WHERE APPLICABLE MUST REMAIN WITHIN DIMENSIONS		

DIMENSION STYLE <b>MM</b>	
DRAWN BY BB	DATE 2009/06/19
CHECKED BY JKO	DATE 2009/08/05
APPROVED BY FP	DATE 2009/08/05
MATERIAL NO. see table	
SIZE <b>A3</b>	THIS DRAWING CONTAINS INFORMATION THAT IS PROPRIETARY TO MOLEX INCORPORATED AND SHOULD NOT BE USED WITHOUT WRITTEN PERMISSION

SCALE 2:1	DESIGN UNITS METRIC	FIRST ANGLE PROJECTION
<b>M8 FEMALE RECEPTACLES-XM M8 GERAETEBUCHSE-XM</b>		
<b>MOLEX INCORPORATED</b>		
DOCUMENT NO. SD-120090-002	SHEET NO. 1 OF 1	