

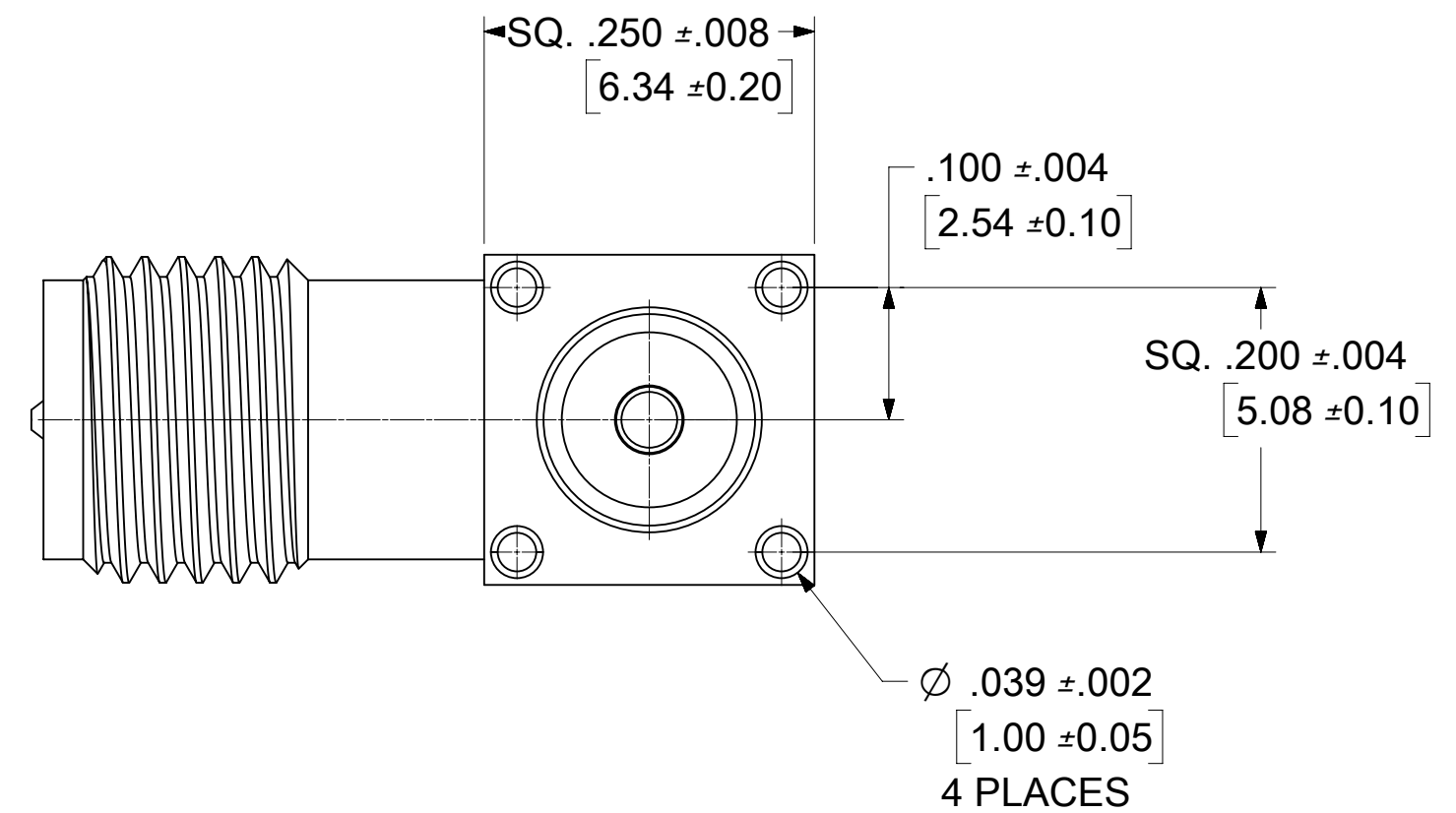
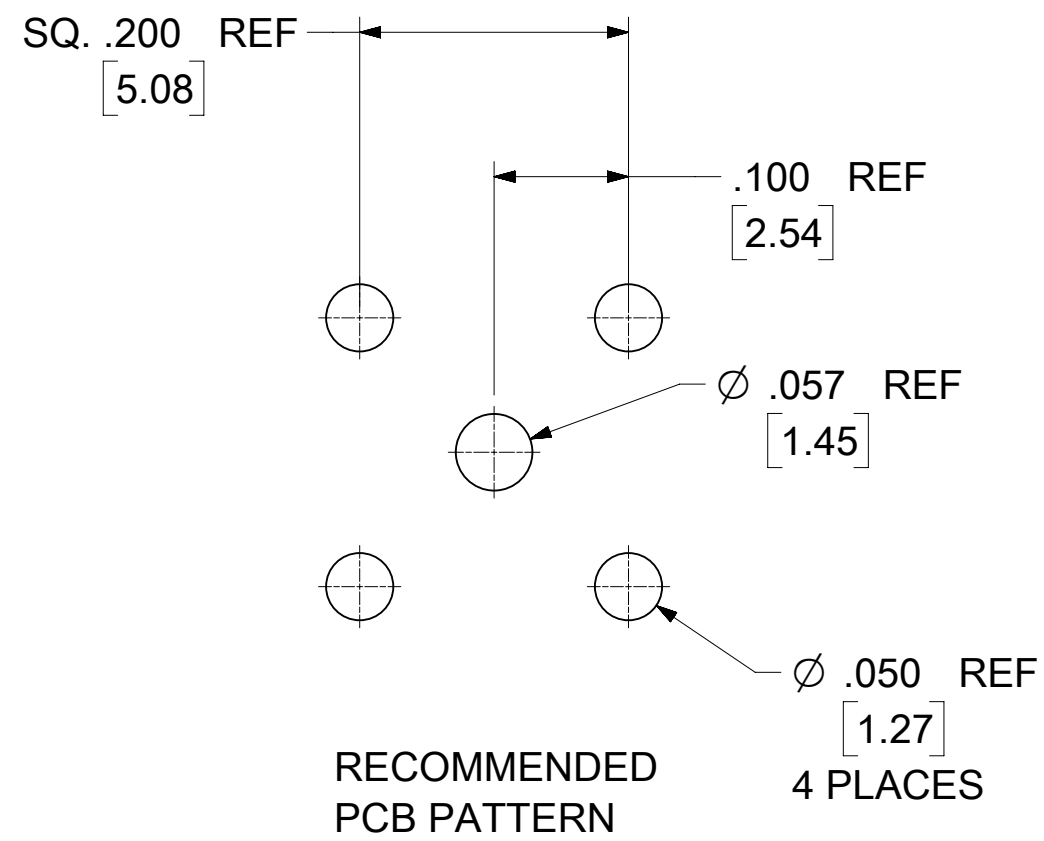
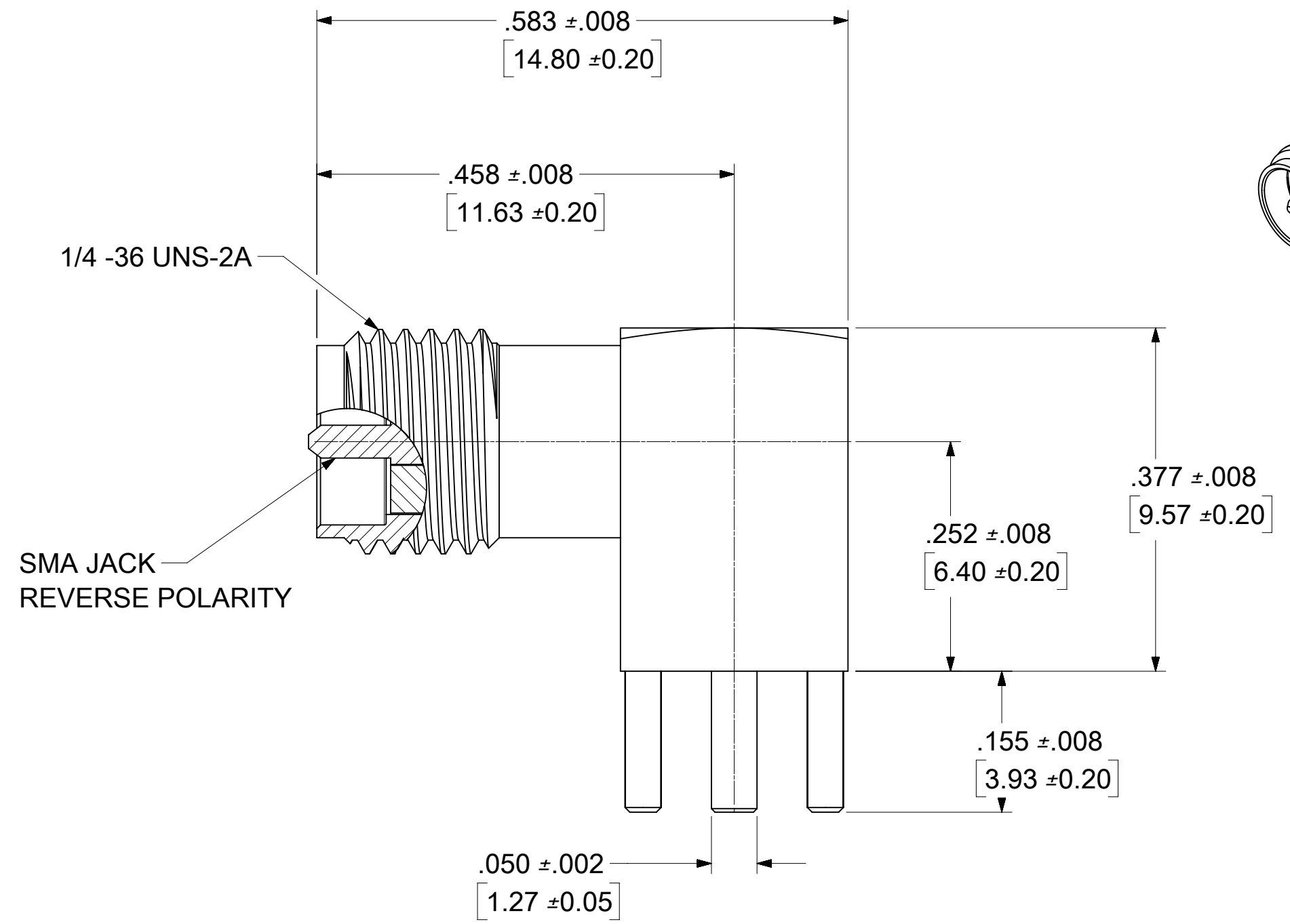
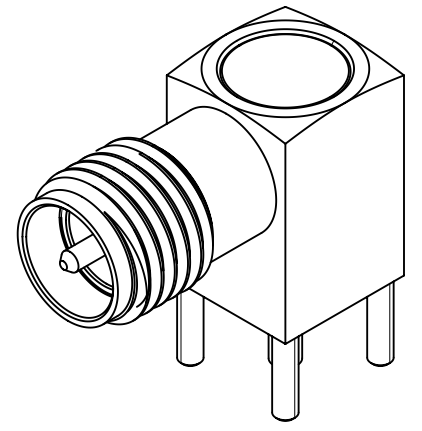
**MATERIALS AND FINISHES:**

BODY: ZINC ALLOY  
PLATED SEE TABLE

CONTACT: BRASS  
PLATED SEE TABLE

INSULATOR: TEFLON

CAP: BRASS  
PLATED SEE TABLE



73391-0322	GOLD FLASH	GOLD 1u" ~ 3u"
73391-0321	NICKEL 100u" ~ 150u"	GOLD 1u" ~ 3u"
73391-0320	GOLD 1u" ~ 3u"	GOLD 10u" ~ 30u"
PART NO.	BODY & CAP	CONTACT

PS-89675-283	PRODUCT SPECIFICATION
SPECIFICATION	DESCRIPTION

A6	2019/04/16	ADD TOLERANCE & MIGRATE TO ECTR PER EWR13036-A
REV.	DATE	DESCRIPTION

THIS DRAWING CONTAINS INFORMATION THAT IS PROPRIETARY TO MOLEX ELECTRONIC TECHNOLOGIES, LLC AND SHOULD NOT BE USED WITHOUT WRITTEN PERMISSION											
SYMBOLS		DIMENSION UNITS		SCALE		CURRENT REV DESC:					
▽ = 0 ▽ = 0 ▽ = 0 ▽ = 0 ▽ = 0 ▽ = 0 ▽ = 0 ▽ = 0 ▽ = 0 ▽ = 0		HYBRID		NTS		EC NO: 615961 DRWN: CWEI02 CHK'D: YCHENG APPR: YCHENG					
GENERAL TOLERANCES (UNLESS SPECIFIED)						2019/04/16 2019/04/23 2019/04/23				SMA JACK RA REVERSE POLAR PCB TH SMA-J/RA/PCB EWR-4968	
ANGULAR TOL ± 2.0°						4 PLACES ± 3 PLACES ± 2 PLACES ± 1 PLACE ± 0 PLACES ±				PRODUCT CUSTOMER DRAWING	
DRAFT WHERE APPLICABLE MUST REMAIN WITHIN DIMENSIONS						INITIAL REVISION: DRWN: CLAIRE LEE APPR: MISEN				DOCUMENT NUMBER	
THIRD ANGLE PROJECTION						2001/10/25 2001/10/25				SD-73391-032	
DRAWING						SERIES				DOC TYPE	
C-SIZE						73391				DOC PART	
SEE TABLE						GENERAL MARKET				REVISION	
1 OF 1						SHEET NUMBER				A6	