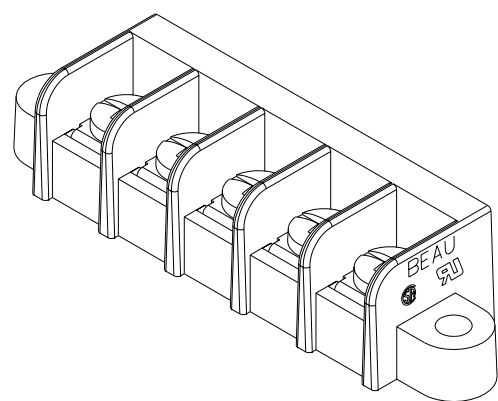
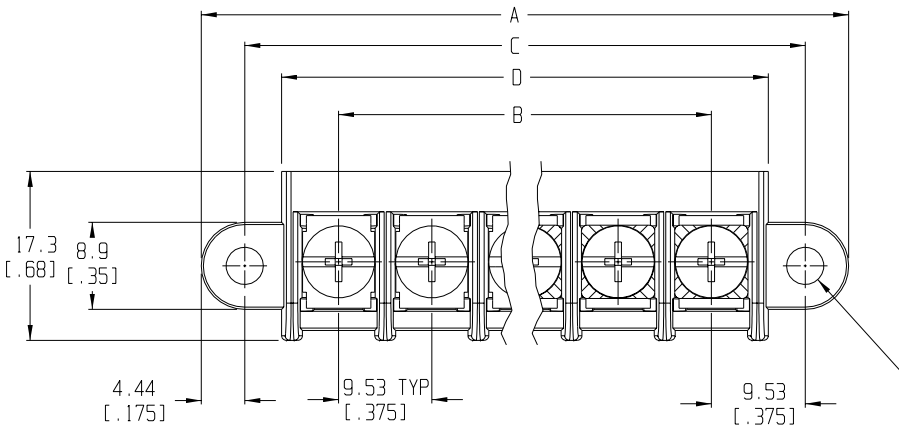
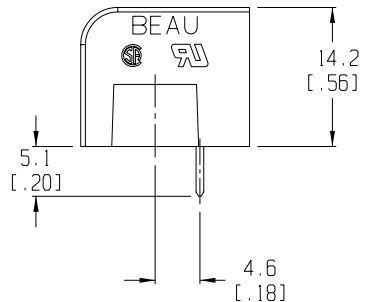
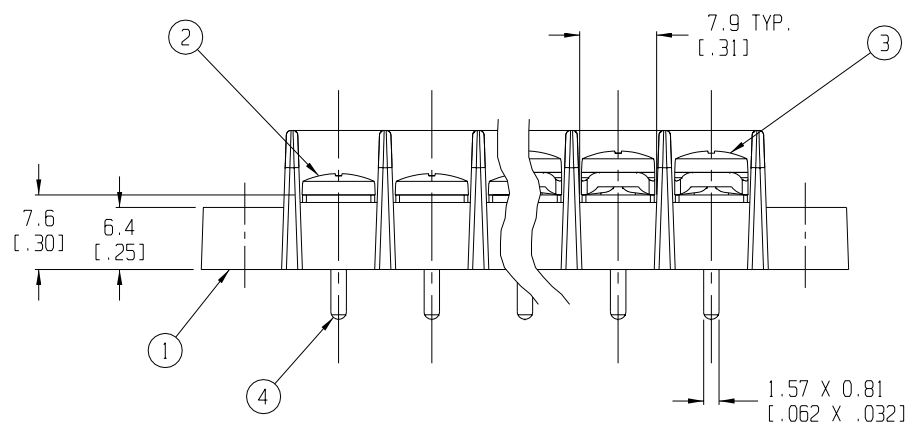


RECOMMENDED PTH PATTERN  
SCALE 1:1



5 CIRCUIT SHOWN  
Ø3.81 2 HOLES [.150]



- NOTES:
1. MATERIAL: SEE TABLE
  2. FINISHES: SEE TABLE
  3. PRODUCT SPECIFICATION: UL & CSA, 12-24 AWG
  4. PACKAGING: NOT REQUIRED
  5. MATES WITH: NONE
  6. "XX" REFERS TO QTY. OF CIRCUITS
  7. LENGTH TABLE SHOWN ON SHEET 2
  8. REFER TO SD-38120-001 (-10A THRU -10D AND -11A THRU -11D) OR SD-38120-002 (-10AT THRU -10DT AND -11AT THRU -11DT) FOR OPTIONAL IMPRINTING.

ITEM	QTY.	DESCRIPTION	MATERIAL	FINISH
4	XX	TERMINAL	BRASS	TIN PLATE
3	XX	SCREW & WASHER (-50 OPT)	STEEL	ZINC CHROMATE
2	XX	SCREW (STD.)	STEEL	ZINC CHROMATE
1	1	BARRIER TERMINAL STRIP	THERMOPLASTIC	BLACK

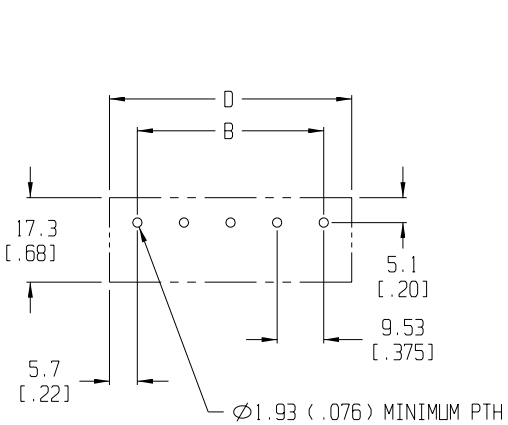
EC NO. RELEASED	CLY
DRWN: CH'K:	APPR.:
REV	A

QUALITY SYMBOLS	MAJOR	CRITICAL	SPC
DESCRIPTION	DESCRIPTION	DESCRIPTION	DESCRIPTION

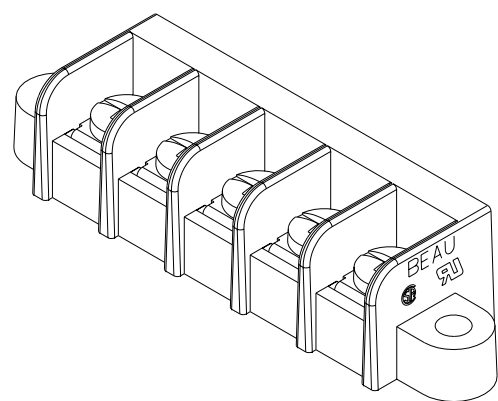
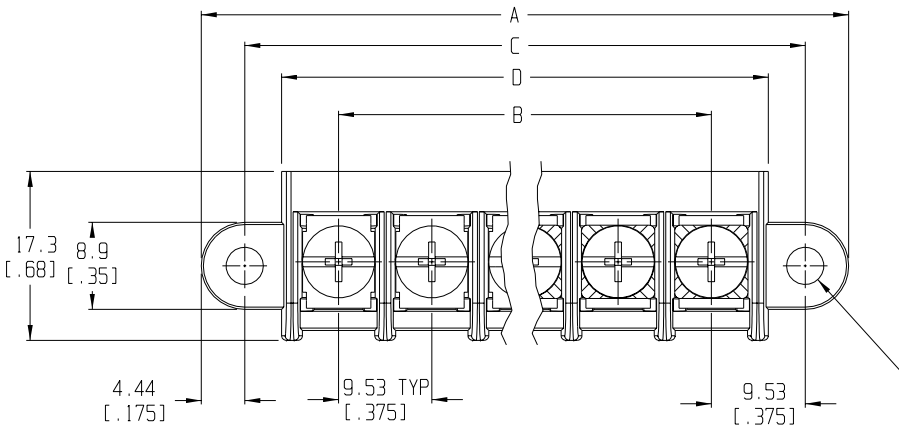
GENERAL TOLERANCES: (UNLESS SPECIFIED)	SCALE 2:1	DESIGN UNITS
4 PLACES ±.0015	mm	INCH
3 PLACES ±.038	mm	INCH
2 PLACES ±.13	mm	INCH
1 PLACE ±.3	mm	INCH
ANGULAR: ±2°		

PROJECT NO. -	I	-
DIMENSIONS:	SHT	REV
THIRD ANGLE PROJECTION	mm	INCH
TITLE:	SR BTS, PC TERMINAL	
MATERIAL NO.	DRAWING NO.	SHEET NO.
SEE SHEET 2	SD-38750-001	1 OF 2
THIS DRAWING CONTAINS INFORMATION THAT IS PROPRIETARY TO MOLEX INCORPORATED AND SHOULD NOT BE USED WITHOUT WRITTEN PERMISSION.		
SIZE	B	

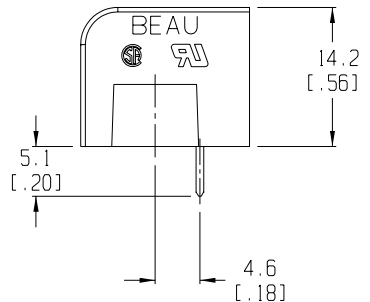
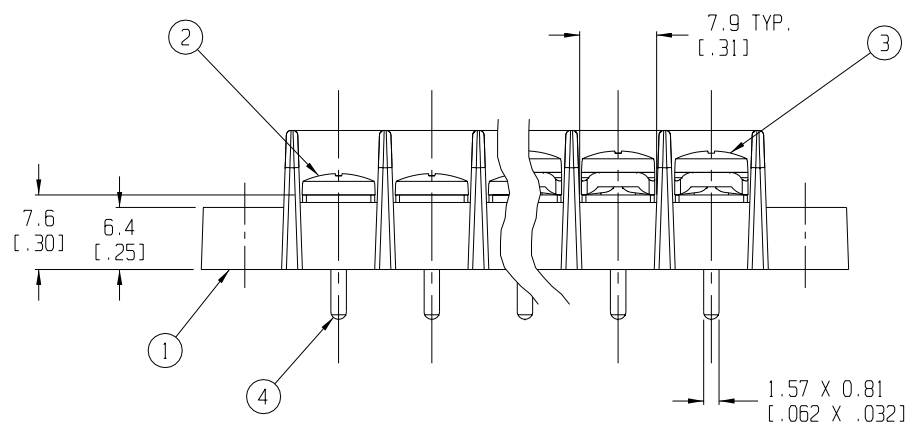
10	9	8	7	5	4	3	2	1
----	---	---	---	---	---	---	---	---



RECOMMENDED PTH PATTERN  
SCALE 1:1



5 CIRCUIT SHOWN  
Ø3.81 2 HOLES [.150]



- NOTES:
1. MATERIAL: SEE TABLE
  2. FINISHES: SEE TABLE
  3. PRODUCT SPECIFICATION: UL & CSA, 12-24 AWG
  4. PACKAGING: NOT REQUIRED
  5. MATES WITH: NONE
  6. "XX" REFERS TO QTY. OF CIRCUITS
  7. LENGTH TABLE SHOWN ON SHEET 2
  8. REFER TO SD-38120-001 (-10A THRU -10D AND -11A THRU -11D) OR SD-38120-002 (-10AT THRU -10DT AND -11AT THRU -11DT) FOR OPTIONAL IMPRINTING.

ITEM	QTY.	DESCRIPTION	MATERIAL	FINISH
4	XX	TERMINAL	BRASS	TIN PLATE
3	XX	SCREW & WASHER (-50 OPT)	STEEL	ZINC CHROMATE
2	XX	SCREW (STD.)	STEEL	ZINC CHROMATE
1	1	BARRIER TERMINAL STRIP	THERMOPLASTIC	BLACK

EC NO. RELEASED	CLY
DRWN: CH'K:	APPR.:
REV	A

QUALITY SYMBOLS	DESCRIPTION
MAJOR	MAJOR
CRITICAL	CRITICAL
SPC	SPC

GENERAL TOLERANCES: (UNLESS SPECIFIED)	SCALE 2:1	DESIGN UNITS
4 PLACES ±.0015	mm	mm <input type="checkbox"/> INCH <input checked="" type="checkbox"/>
3 PLACES ±.038	INCH	mm <input type="checkbox"/> INCH <input checked="" type="checkbox"/>
2 PLACES ±.13	±.005	
1 PLACE ±.3	±.01	
ANGULAR: ±2°		
DRAFT WHERE APPLICABLE MUST REMAIN WITHIN DIMENSIONS		

PROJECT NO. -	I	-
DIMENSIONS:	SHT	REV
<input checked="" type="checkbox"/> mm <input type="checkbox"/> INCH	<input type="checkbox"/> mm <input type="checkbox"/> ONLY	REVISE ON CAD ONLY
TITLE:	SR BTS, PC TERMINAL	
MATERIAL NO. SEE SHEET 2	MOLEX INCORPORATED	
DRAWING NO. SD-38750-001	SHEET NO. 1 OF 2	
THIS DRAWING CONTAINS INFORMATION THAT IS PROPRIETARY TO MOLEX INCORPORATED AND SHOULD NOT BE USED WITHOUT WRITTEN PERMISSION.		SIZE B

10 9 8 7 5 4 3 2 1