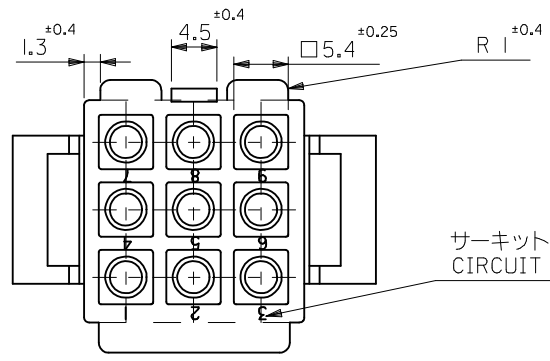
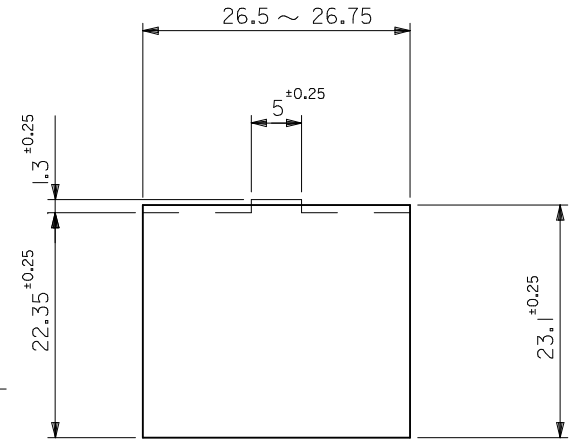


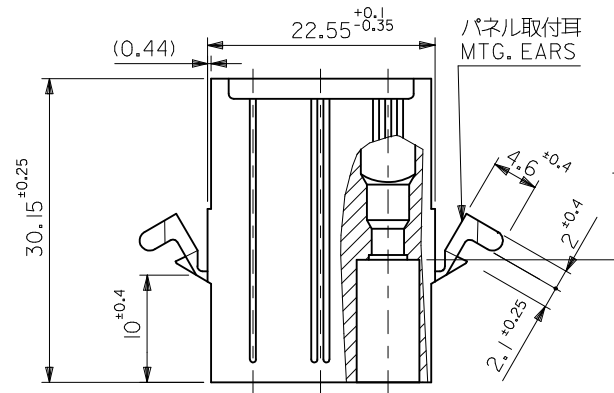
10 9 8 7 6 5 4 3 2 1



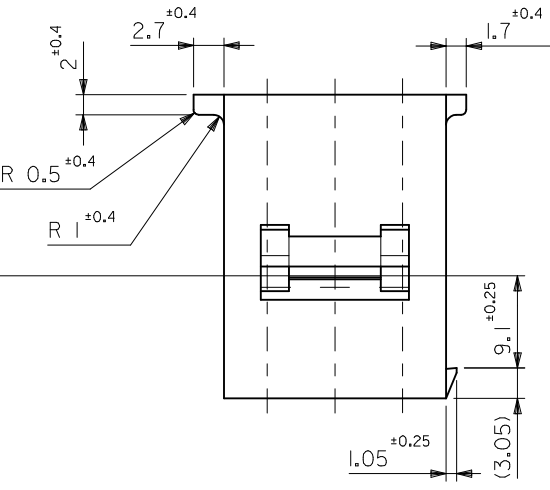
サーキット番号
CIRCUIT NO.



パネル取付穴推奨寸法 (厚さ 2.0 最大)
ハウジングの装着はパネル穴打抜き方向より行うこと
RECOMMENDED PANEL HOLE DIMENSION (THK. 2.0 MAX.)
ATTACH THE HOUSING FROM THE DIRECTION OF
PANEL HOLE PUNCHED OUT



パネル取付耳
MTG. EARS

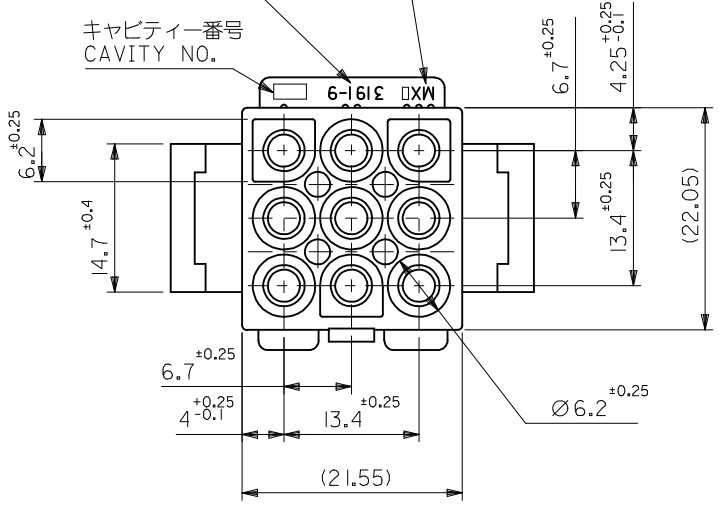


注記
NOTE
() 内寸法は参考値
DIMENSIONS IN () ARE REFERENCE

製品番号
ENG. NO.

トレードマーク
TRADE MARK

キャビティー番号
CAVITY NO.



39-03-6091	3191-09P-201	NYLON66	94V-0
39-03-6090	3191-09P	NYLON66	94V-2
POLYBAG PACKAGE	モデル番号 MODEL No.	材質 MATERIAL	UL
オーダー番号 ORDER NO.			

REDRAWN EC NO.: J2013-0829 DRWN:SSATO02 2013/01/25 CHKD:KASAKAWA 2013/01/31 APPR:YOITO 2013/04/16	DESCRIPTION REV: 0	GENERAL TOLERANCES (UNLESS SPECIFIED)		DIMENSION STYLE	SCALE	DESIGN UNITS	THIRD ANGLE PROJECTION	
		10 UNDER ± ---		MM ONLY	2:1	METRIC	◎ □	
		10 OVER 30 UNDER ± ---		DRAWN BY	DATE	TITLE	9 CKT. PLUG HS (.093 DIA. TERMINAL)	
		30 OVER ± ---		SSAT002	2013/01/25			
ANGULAR ± --- °		CHECKED BY	DATE	molex SD-3191-018 SHEET NO. 1 OF 1				
DRAFT WHERE APPLICABLE MUST REMAIN WITHIN DIMENSIONS		KASAKAWA	2013/01/31					
		APPROVED BY	DATE	MATERIAL NO.		DOCUMENT NO.		
		YOITO	2013/04/16	SEE CHART				
		THIS DRAWING CONTAINS INFORMATION THAT IS PROPRIETARY TO MOLEX INCORPORATED AND SHOULD NOT BE USED WITHOUT WRITTEN PERMISSION						

9 8 7 6 5 4 3 2