

THIS DOCUMENT CONTAINS INFORMATION CONFIDENTIAL AND PROPRIETARY TO ARCTURUS NETWORKS INC. AND SHALL NOT BE REPRODUCED OR TRANSFERRED TO OTHER DOCUMENTS OR DISCLOSED TO OTHERS OR USED FOR ANY OTHER PURPOSE OTHER THAN THAT WHICH IT WAS OBTAINED WITHOUT THE EXPRESS WRITTEN CONSENT OF ARCTURUS NETWORKS INC.

| | | |
|--|--------------------------------|-------------------|
| Arcturus <i>empower embedded.</i> 701 Evans Ave, Suite 300 Toronto, ON, Canada M9C 1A3 Tel: (416) 621-0125 Fax: (416) 621-0190 www.arcturusnetworks.com | uC53017-EVM | |
| | Document: LONG-R1.2-090508 | Rev: 1.2 |
| | Designed by: S. Molchanov | Sheet: 1/6 |
| | Updated: 18/06/2009 1:41:22 PM | Date: May 8, 2009 |



A

B

C

D

E

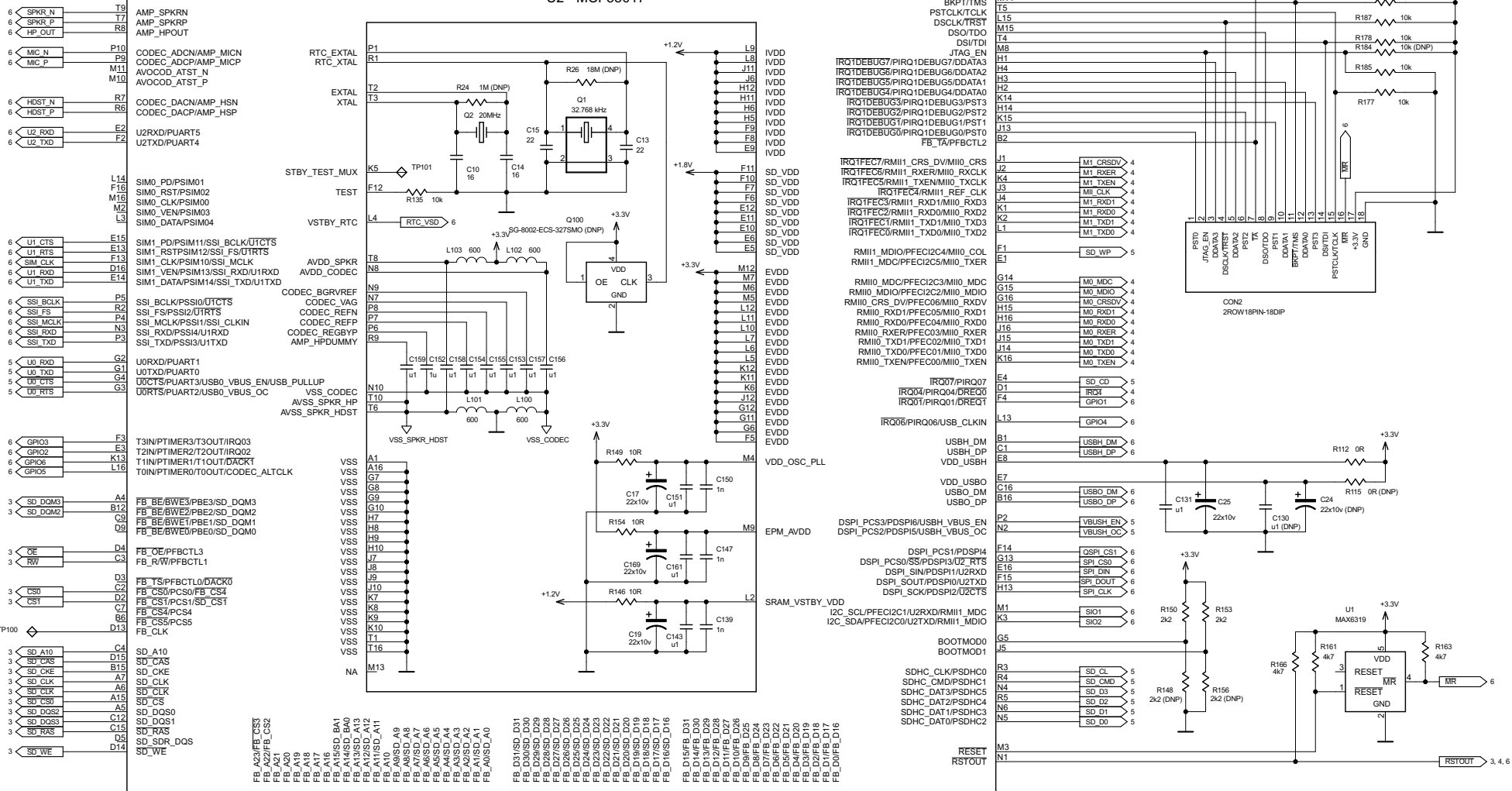
A

B

C

D

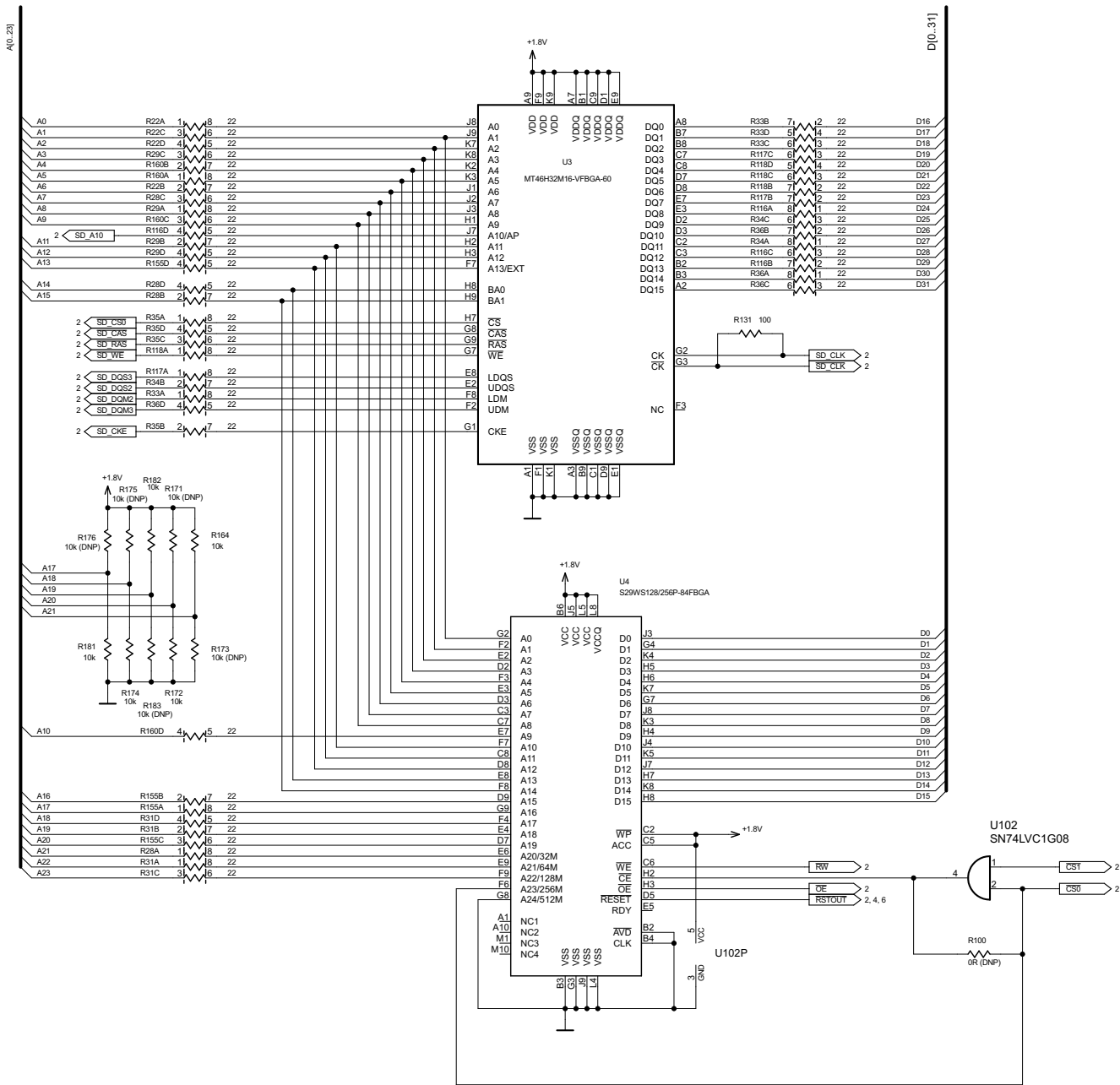
E



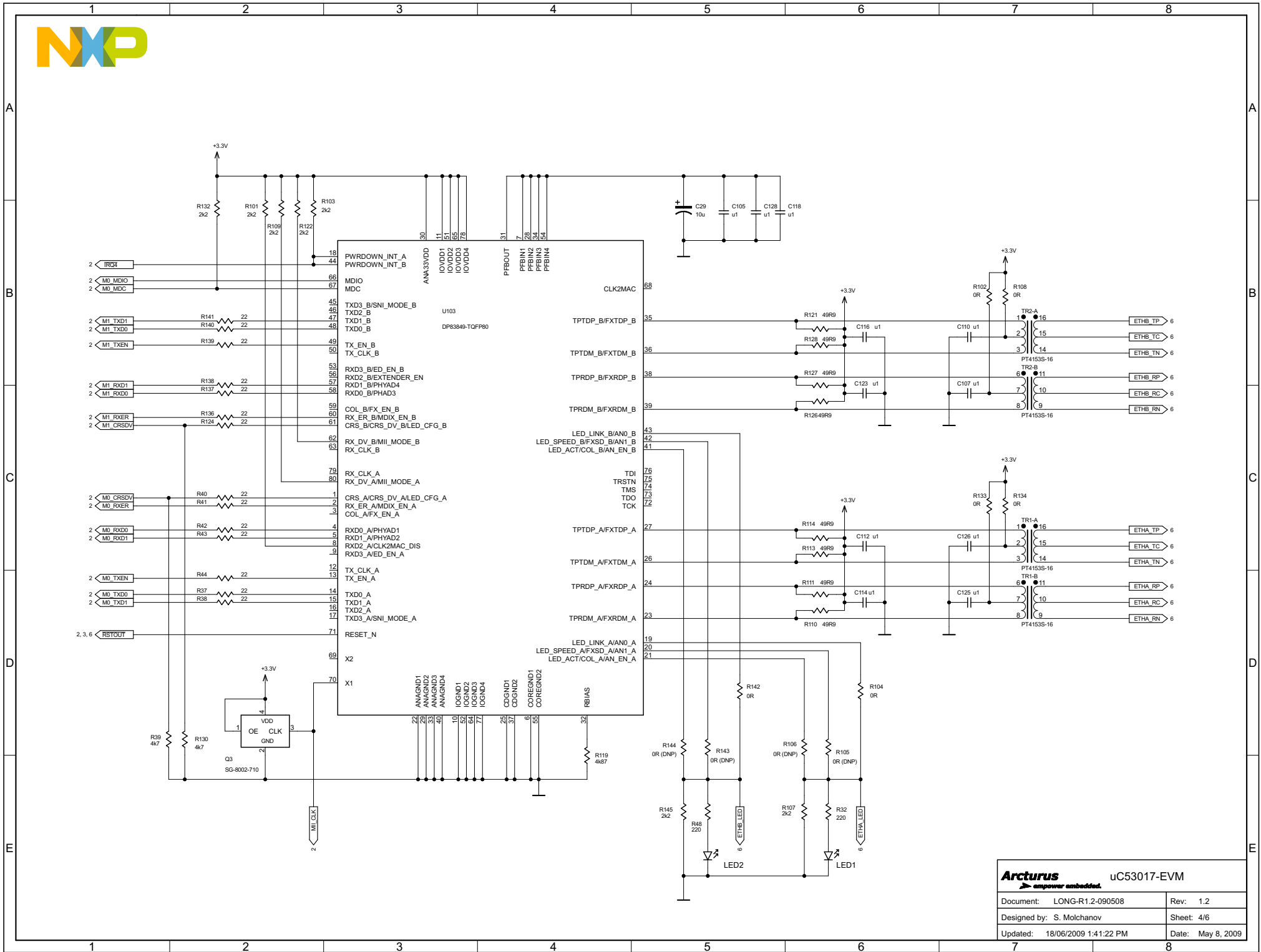
A[0..23]

D[0..31]

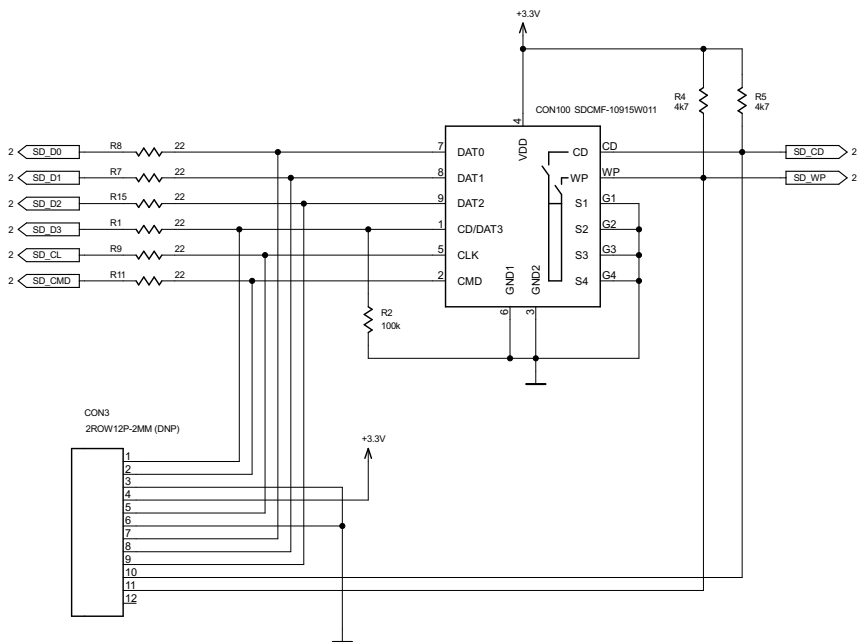
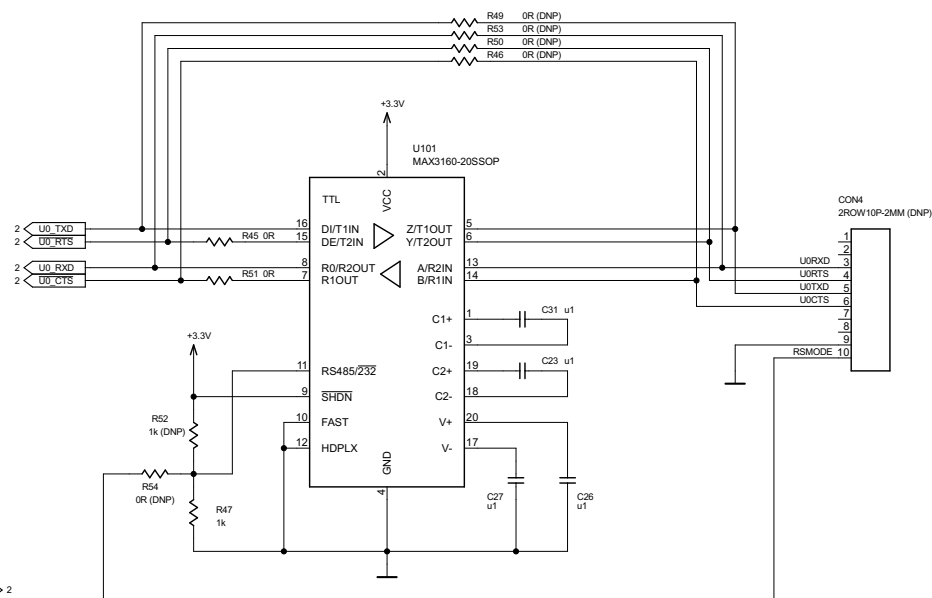
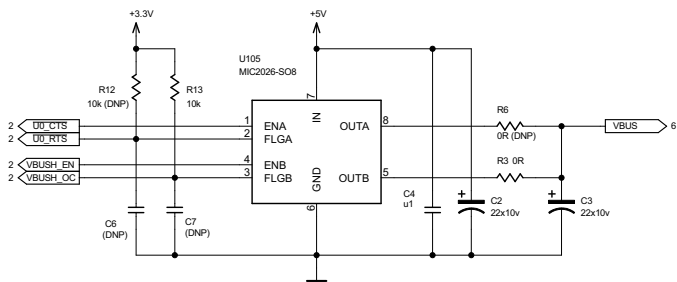


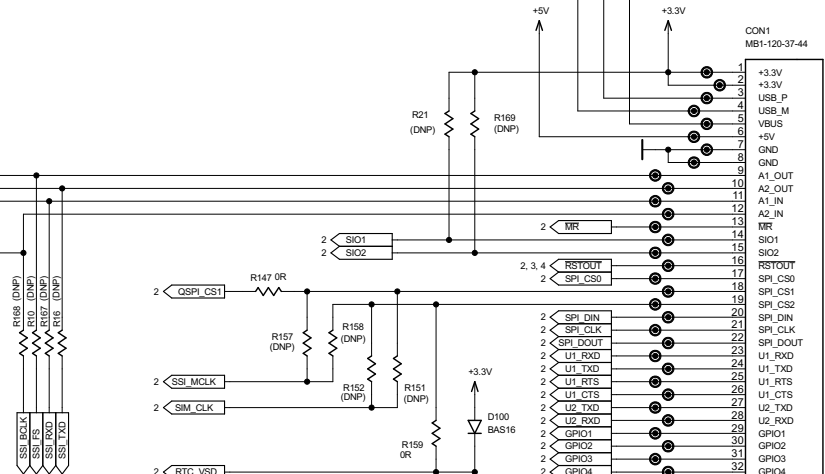
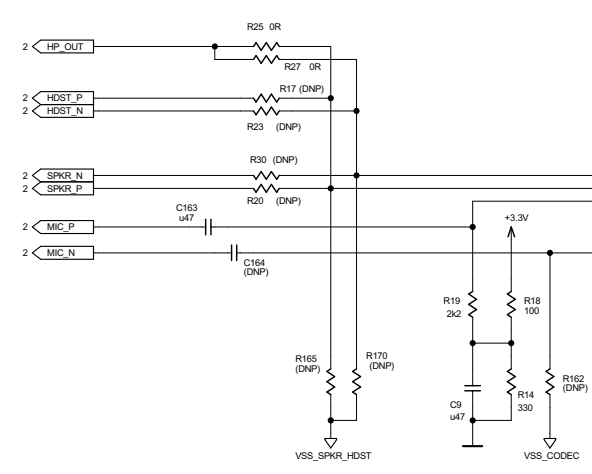
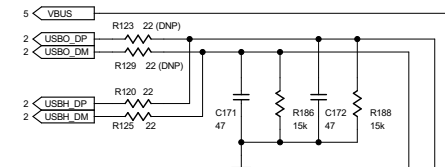
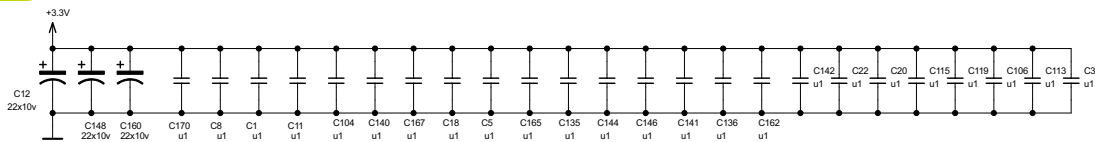


| | |
|--------------------------------------|-------------------|
| Arcturus empower embedded. | |
| uC53017-EVM | |
| Document: LONG-R1.2-090508 | Rev: 1.2 |
| Designed by: S. Molchanov | Sheet: 3/6 |
| Updated: 18/06/2009 1:41:22 PM | Date: May 8, 2009 |



| | | | |
|--------------------------------------|-------------------|-------------|--|
| Arcturus empower embedded. | | uC53017-EVM | |
| Document: LONG-R1.2-090508 | Rev: 1.2 | | |
| Designed by: S. Molchanov | Sheet: 4/6 | | |
| Updated: 18/06/2009 1:41:22 PM | Date: May 8, 2009 | | |





| Pin | Signal |
|-----|----------|
| 1 | +3.3V |
| 2 | +3.3V |
| 3 | USB_P |
| 4 | USB_M |
| 5 | VBUS |
| 6 | +5V |
| 7 | GND |
| 8 | GND |
| 9 | A1_OUT |
| 10 | A2_OUT |
| 11 | A1_IN |
| 12 | A2_IN |
| 13 | MR |
| 14 | SIO1 |
| 15 | SIO2 |
| 16 | RSTOUT |
| 17 | SPL_CS0 |
| 18 | SPL_CS1 |
| 19 | SPL_CS2 |
| 20 | SPL_DIN |
| 21 | SPL_CLK |
| 22 | SPL_DOUT |
| 23 | U1_RXD |
| 24 | U1_TXD |
| 25 | U1_RTS |
| 26 | U1_CTS |
| 27 | U2_TXD |
| 28 | U2_RXD |
| 29 | GPIO1 |
| 30 | GPIO2 |
| 31 | GPIO3 |
| 32 | GPIO4 |
| 33 | GPIO5 |
| 34 | GPIO6 |
| 35 | ETHA_LED |
| 36 | ETHB_LED |
| 37 | |
| 38 | ETHA_TP |
| 39 | ETHA_TC |
| 40 | ETHA_TN |
| 41 | ETHA_TP |
| 42 | ETHA_RC |
| 43 | ETHA_RN |
| 44 | |
| 45 | ETHB_TP |
| 46 | ETHB_TC |
| 47 | ETHB_TN |
| 48 | ETHB_TP |
| 49 | ETHB_RC |
| 50 | ETHB_RN |

