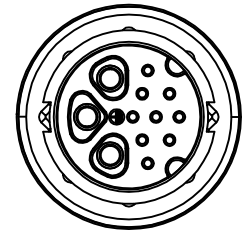
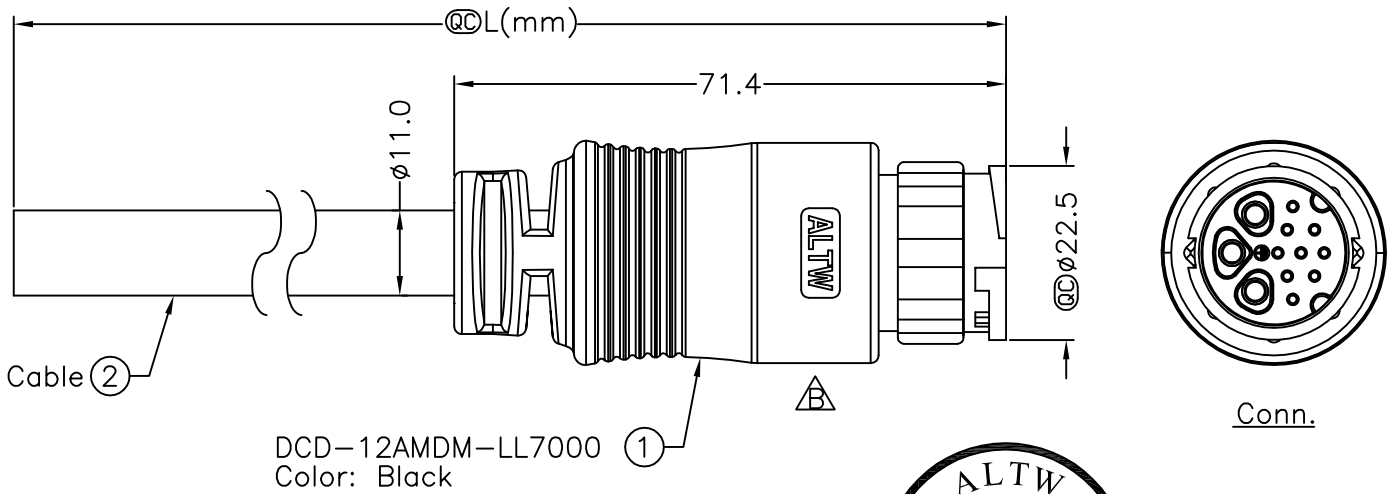
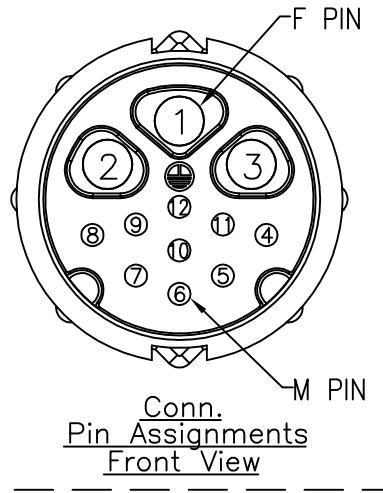
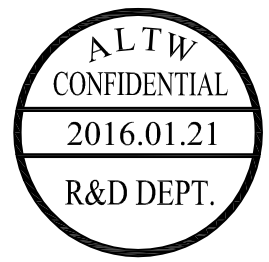
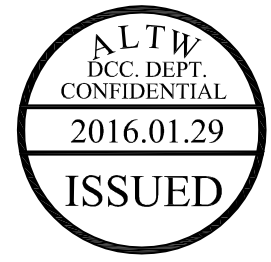


REV.	ECN NO.	DATE	SIGN	DESCRIPTION
B	LEN1610473~476	2016/01/21	Ruru	Change Logo



DCD-12AADM-LL7AXX  
 XX:01~99Meter  
 01:01Meter  
 02:02Meters  
 ...  
 99:99Meters  
 Cable Length(L):01~99Meters



- Note:
- \* @C Important Dimension To Check.
  - \* Waterproof Rate: IP67
  - \* Connector: Nylon+GF, Black
  - \* Pin: Copper Alloy, Gold Plated
  - \* Cable: UL2464 (24AWG\*4P+D+AL/MY)+16AWG\*3C+F+P, PVC Jacket, UV Resistant, OD=11.0mm, Black
  - \* Cable Length Tolerance: 01M±40mm  
 02M~05M:±60mm  
 06M~10M:±100mm  
 11M~30M:±200mm  
 31M~99M:±500mm

12	Drain	地線	(24AWG)	Twist 對線
11	Brown	棕	(24AWG)	
10	Black	黑	(24AWG)	
9	Gray	灰	(24AWG)	Twist 對線
8	Blue	藍	(24AWG)	
7	Green	綠	(24AWG)	Twist 對線
6	Yellow	黃	(24AWG)	
5	White	白	(24AWG)	Twist 對線
4	Red	紅	(24AWG)	
3	Blue	藍	(16AWG)	
2	Brown	棕	(16AWG)	
1	Green/Yellow	綠/黃	(16AWG)	
Conn.	Wire Color			
Pin Out				

UNIT:mm		TITLE
TOLERANCE		Cable Connector 180° MConn 3FPin(20A)+9MPin(5A)
±0.5 mm		SCALE Free SHEET 1 OF 1
REV. B	SIZE A4	@C : Inspection Item

**Amphenol LTW**  
 安費諾亮泰企業股份有限公司

ITEM NO	DRAWN BY	DATE
	Ruru	2016/01/21
DWG NO	CHECKED BY	DATE
DCD-12AADM-LL7AXX	Rita	2016/01/21
CUSTOMER	APPROVED BY	DATE
ALTW	Lisa	2016/01/21

THIS DOCUMENT IS SUBJECT TO CHANGE WITHOUT NOTICE. IT IS CONFIDENTIAL AND A PROPERTY OF Amphenol LTW. DISCLOSURE TO THIRD PARTY HAS TO BE AUTHORIZED BY Amphenol LTW.

A B C D E F