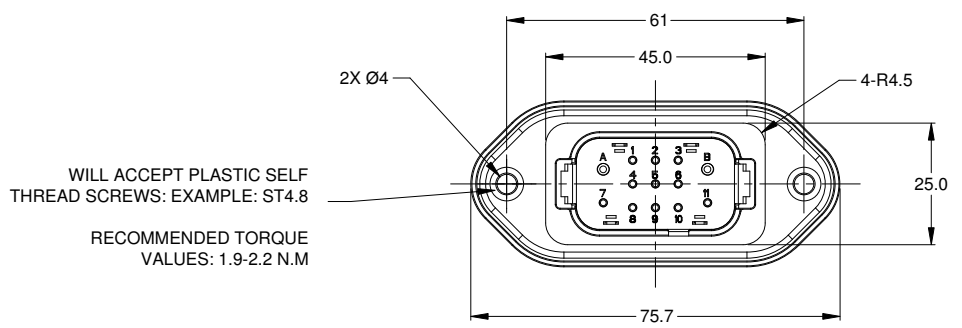
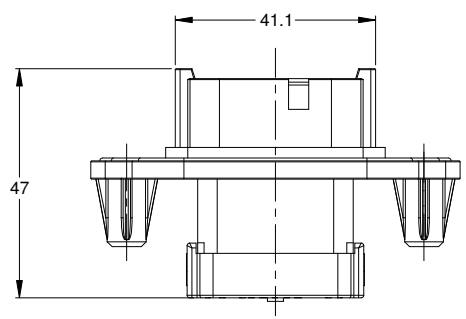
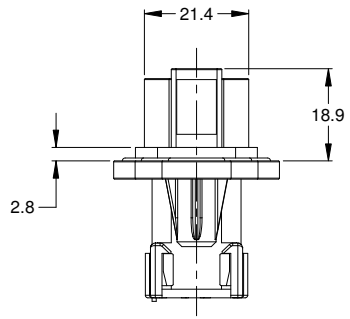
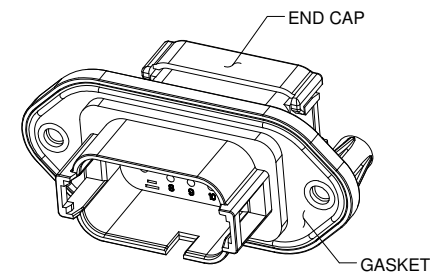


REVISIONS					
REV	ECO	DESCRIPTION	DATE	BY	APPR
A3	-	RELEASE NEW DRAWING FORMAT	20MAY16	ORION	TOMMY

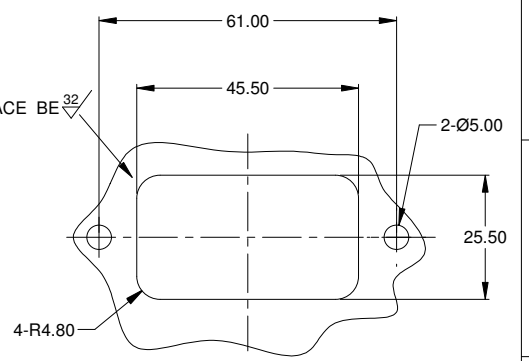


WILL ACCEPT PLASTIC SELF
THREAD SCREWS: EXAMPLE: ST4.8

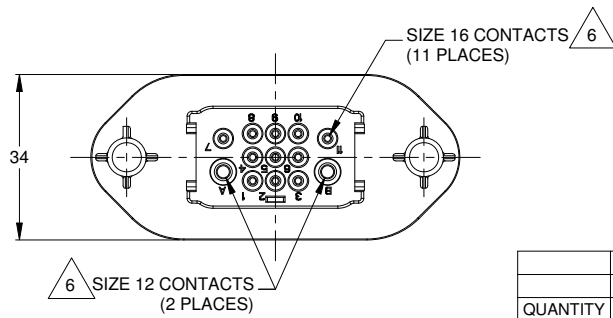
RECOMMENDED TORQUE
VALUES: 1.9-2.2 N.M



INTERNAL SEALING SURFACE BE ³²
OR BETTER \square 0.13



RECOMMENDED PANEL CUTOUTS



\triangle CONTACT SIZE AND REAR SEAL WIRE RANGE:

CONTACT SIZE	MIN. INSUL O.D.	MAX. INSUL O.D.	TYPICAL WIRE RANGE	CURRENT RATING
16	2.24 mm (.088 in)	3.68 mm (.145 in)	14-20 AWG	13 AMPS
12	3.40 mm (.134 in)	4.95 mm (.195 in)	12-14 AWG	25 AMPS

NOTES: UNLESS OTHERWISE SPECIFIED

- MATERIAL:
HOUSING: THERMOPLASTIC; COLOR: BLACK
SEAL: SILICONE RUBBER
- MODIFICATIONS: STANDARD DIAMETER WIRE SEAL;
END CAP
- SPECIFICATIONS:
 - CURRENT RATING: SEE NOTE 6
 - OPERATING TEMPERATURE: -55°C TO +125°C
 - DIELECTRIC WITHSTANDING VOLTAGE: LESS THAN 2 MILLIAMPS CURRENT LEAKAGE @ 1500 VOLTS AC.
 - INSULATION RESISTANCE: 1000 MEGOHMS MIN @ 25°C.
 - MOISTURE RESISTANCE: IP67 (MATED CONDITION)
 - MATING CYCLE DURABILITY: 100 CYCLES
 - RoHS COMPLIANT
- MATING PART: AT1612-13SB* PLUG
(* = MODIFICATIONS)
- ALL DIMENSIONS ARE FOR REFERENCE USE ONLY.

TITLE: AT1612-13PB-G RECEPTACLE W/FLANGE GASKET & STANDARD DIA SEAL
DWG NO: AT1612-13PB-G
REV: A3
SH: 1
OF: 1

AT1612-13PB-G		DESCRIPTION		ITEM																																																																																
PART NUMBER		DESCRIPTION		ITEM																																																																																
<table border="1"> <thead> <tr> <th>QUANTITY</th> <th colspan="4">MATERIALS LIST</th> </tr> </thead> <tbody> <tr> <td colspan="5">UNLESS OTHERWISE SPECIFIED</td> </tr> <tr> <td colspan="5">1) All dimensions are in metric (mm).</td> </tr> <tr> <td colspan="5">2) Tolerances are as follows:</td> </tr> <tr> <td colspan="5">1 PL DEC ±0.30 Fractions ±1/64</td> </tr> <tr> <td colspan="5">2 PL DEC ±0.15 Angles ±1°</td> </tr> <tr> <td colspan="5">3 PL DEC ±0.08</td> </tr> <tr> <td colspan="5">3) Note reference = \triangle</td> </tr> <tr> <td colspan="2">SIGNATURES</td> <td colspan="3">DATE</td> </tr> <tr> <td colspan="2">DRAWN: ORIONLI</td> <td colspan="3">20MAY16</td> </tr> <tr> <td colspan="2">CHECKED:</td> <td colspan="3"></td> </tr> <tr> <td colspan="2">ENGINEER:</td> <td colspan="3"></td> </tr> <tr> <td colspan="2">APPROVAL:</td> <td colspan="3"></td> </tr> <tr> <td colspan="2">MATERIAL SPECIFICATIONS:</td> <td colspan="3">CUSTOMER:</td> </tr> <tr> <td colspan="2">PROCESS SPECIFICATIONS:</td> <td colspan="3">THIS DRAWING IS SUPPLIED FOR INFORMATION ONLY. DESIGN FEATURES, SPECIFICATIONS AND PERFORMANCE DATA SHOWN HEREON ARE THE PROPERTY OF THE AMPHENOL CORPORATION. NO RIGHTS OF REPRODUCTION ARE IMPLIED. ALL DIMENSIONS ARE SUBJECT TO NORMAL MANUFACTURING VARIATIONS.</td> </tr> <tr> <td colspan="2">NEXT ASSY:</td> <td colspan="3">SCALE: NONE</td> </tr> </tbody> </table>					QUANTITY	MATERIALS LIST				UNLESS OTHERWISE SPECIFIED					1) All dimensions are in metric (mm).					2) Tolerances are as follows:					1 PL DEC ±0.30 Fractions ±1/64					2 PL DEC ±0.15 Angles ±1°					3 PL DEC ±0.08					3) Note reference = \triangle					SIGNATURES		DATE			DRAWN: ORIONLI		20MAY16			CHECKED:					ENGINEER:					APPROVAL:					MATERIAL SPECIFICATIONS:		CUSTOMER:			PROCESS SPECIFICATIONS:		THIS DRAWING IS SUPPLIED FOR INFORMATION ONLY. DESIGN FEATURES, SPECIFICATIONS AND PERFORMANCE DATA SHOWN HEREON ARE THE PROPERTY OF THE AMPHENOL CORPORATION. NO RIGHTS OF REPRODUCTION ARE IMPLIED. ALL DIMENSIONS ARE SUBJECT TO NORMAL MANUFACTURING VARIATIONS.			NEXT ASSY:		SCALE: NONE		
QUANTITY	MATERIALS LIST																																																																																			
UNLESS OTHERWISE SPECIFIED																																																																																				
1) All dimensions are in metric (mm).																																																																																				
2) Tolerances are as follows:																																																																																				
1 PL DEC ±0.30 Fractions ±1/64																																																																																				
2 PL DEC ±0.15 Angles ±1°																																																																																				
3 PL DEC ±0.08																																																																																				
3) Note reference = \triangle																																																																																				
SIGNATURES		DATE																																																																																		
DRAWN: ORIONLI		20MAY16																																																																																		
CHECKED:																																																																																				
ENGINEER:																																																																																				
APPROVAL:																																																																																				
MATERIAL SPECIFICATIONS:		CUSTOMER:																																																																																		
PROCESS SPECIFICATIONS:		THIS DRAWING IS SUPPLIED FOR INFORMATION ONLY. DESIGN FEATURES, SPECIFICATIONS AND PERFORMANCE DATA SHOWN HEREON ARE THE PROPERTY OF THE AMPHENOL CORPORATION. NO RIGHTS OF REPRODUCTION ARE IMPLIED. ALL DIMENSIONS ARE SUBJECT TO NORMAL MANUFACTURING VARIATIONS.																																																																																		
NEXT ASSY:		SCALE: NONE																																																																																		
<h1>Amphenol</h1> <p>Sine Systems - www.amphenol-sine.com 44724 Morley Drive Clinton Township, MI 48036</p>																																																																																				
AT SERIES, 13 PIN RECEPTACLE W/FLANGE GASKET & STANGARD DIAMETER SEAL																																																																																				
SIZE	TYPE	DWG NO:	REVISION																																																																																	
B	C-	AT1612-13PB-G	A3																																																																																	
SCALE: NONE		SHEET 1 OF 1																																																																																		

AT Series™ - Contact Size 16 Options

Machined Contacts, Sockets & Pins				
Part Number	Description	Size	AWG	Type
AT60-215-1631	Male Contact - Pin, Gold-plated	16	14	Machined
AT62-209-1631	Female Contact - Socket, Gold-plated	16	14	Machined
AT60-215-16141	Male Contact - Pin, Nickel-plated	16	14	Machined
AT62-209-16141	Female Contact - Socket, Nickel-plated	16	14	Machined
AT60-202-1631	Male Contact - Pin, Gold-plated	16	16-20	Machined
AT62-201-1631	Female Contact - Socket, Gold-plated	16	16-20	Machined
AT60-202-16141	Male Contact - Pin, Nickel-plated	16	16-20	Machined
AT62-201-16141	Female Contact - Socket, Nickel-plated	16	16-20	Machined
AT60-202-1631-22	Male Contact - Pin, Gold-plated	16	22-24	Machined
AT62-201-1631-22	Female Contact - Socket, Gold-plated	16	22-24	Machined
AT60-202-16141-22	Male Contact - Pin, Nickel-plated	16	22-24	Machined
AT62-201-16141-22	Female Contact - Socket, Nickel-plated	16	22-24	Machined

Tooling - Machined Contacts		
Part	Part Number	Description
	CA-5D12	Universal Hand Crimp Tool, Size 12/16/20 (Machined contacts only)
	CA-5E12	Pneumatic Crimp Tool, Size 12/16/20 (Machined contacts only)

Contact Removal Tools		
Part	Part Number	Description
	ATRT-100	Used for removal of contacts for A Series™ products
	AT11-310-1605	Contact Removal Tool, Plastic, Size 16
	A114017	Sealing Plug, Size 16, White

Stamped & Formed Contacts, Sockets & Pins				
Part Number	Description	Size	AWG	Type
AT60-14-0144	Male Contact - Pin, Gold-plated	16	14-16	Stamped & Formed
AT62-14-0144	Female Contact - Socket, Gold-plated	16	14-16	Stamped & Formed
AT60-14-0122	Male Contact - Pin, Nickel-plated	16	14-16	Stamped & Formed
AT62-14-0122	Female Contact - Socket, Nickel-plated	16	14-16	Stamped & Formed
AT60-16-0144	Male Contact - Pin, Gold-plated	16	16-18	Stamped & Formed
AT62-16-0144	Female Contact - Socket, Gold-plated	16	16-18	Stamped & Formed
AT60-16-0122	Male Contact - Pin, Nickel-plated	16	16-18	Stamped & Formed
AT62-16-0122	Female Contact - Socket, Nickel-plated	16	16-18	Stamped & Formed
AT60-16-0644	Male Contact - Pin, Gold-plated	16	18-20	Stamped & Formed
AT62-16-0644	Female Contact - Socket, Gold-plated	16	18-20	Stamped & Formed
AT60-16-0622	Male Contact - Pin, Nickel-plated	16	18-20	Stamped & Formed
AT62-16-0622	Female Contact - Socket, Nickel-plated	16	18-20	Stamped & Formed
AT60-16-0844	Male Contact - Pin, Gold-plated	16	20-22	Stamped & Formed
AT62-16-0844	Female Contact - Socket, Gold-plated	16	20-22	Stamped & Formed
AT60-16-0822	Male Contact - Pin, Nickel-plated	16	20-22	Stamped & Formed
AT62-16-0822	Female Contact - Socket, Nickel-plated	16	20-22	Stamped & Formed

Tooling - Stamped & Formed Contacts		
Part	Part Number	Description
	MFX-3950	Crimp Die - Size 16, 18-20AWG (S&F contacts only)
	MFX-3953	Crimp Die - Size 16, 16-18AWG (S&F contacts only)
	MFX-3975	Crimp Die - Size 16, 14-16AWG (S&F contacts only)
	MFX-3990	Crimp Die - Size 16, 20-22AWG (S&F contacts only)
	ATT-16-00	Hand Crimp Tool - Size 16, 14-16AWG (S&F contacts only)
	ATT-16-01	Hand Crimp Tool - Size 16, 18-20AWG (S&F contacts only)
	ATT-1612-03	Hand Crimp Tool - Size 16, 20-22AWG (S&F contacts only)

Amphenol Sine Systems
 44724 Morley Drive
 Clinton Township, MI 48036 USA
www.amphenol-sine.com
 09/2021