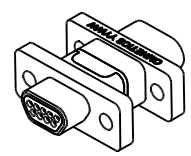
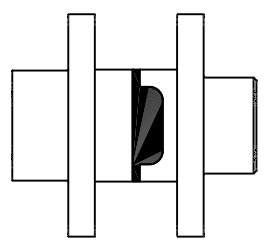
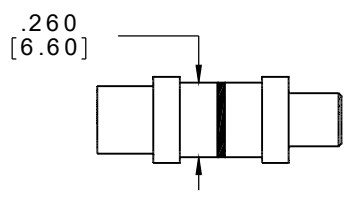
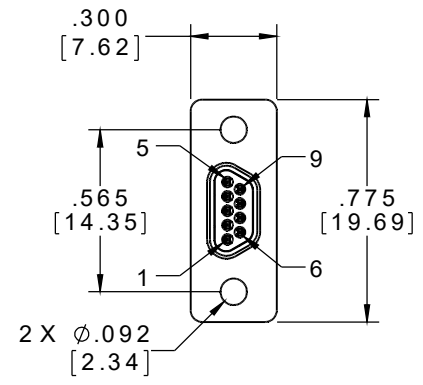
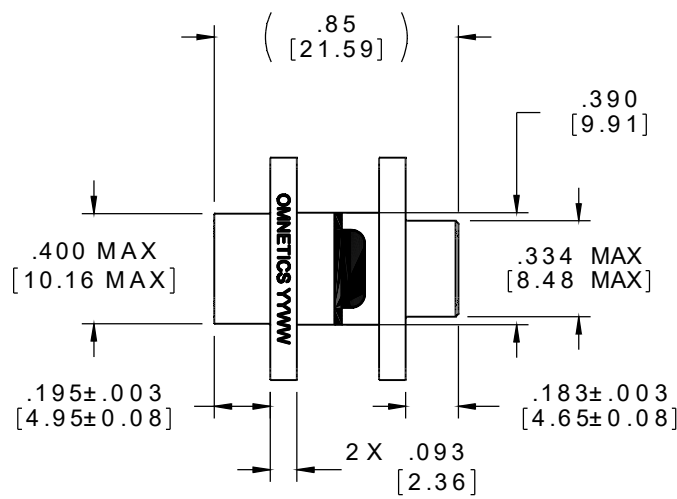
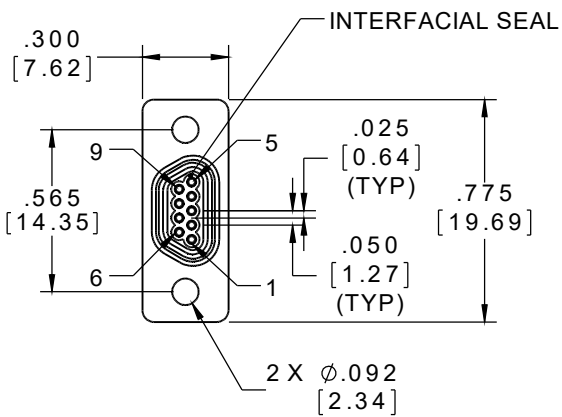


PART NO.	A97011-009	REV	ECO	DATE	APP
		A	99166	12-28-12	TLM



ACTUAL SIZE

**MATERIALS**

**HOUSING:**

ALUMINUM 6061-T6, NICKEL PLATE PER SAE-AMS-2404

**INSULATOR:**

LIQUID CRYSTAL POLYMER (LCP) PER ASTM D5138

**MALE CONTACT:**

BERYLLIUM COPPER PER ASTM B194, C17200, GOLD PLATED PER ASTM B488, (HARD GOLD) TYPE II CODE C, CLASS 1.27

**FEMALE CONTACT/SOLDERCUP:**

COPPER ALLOY PER MIL-DTL-83513, GOLD PLATED PER ASTM B488, (HARD GOLD) TYPE II CODE C CLASS 1.27

**INTERFACIAL SEAL:**

SILICONE RUBBER PER A-A-59588

MMDZ/SJW	THIRD ANGLE
	-TOLERANCES-
	UNLESS OTHERWISE NOTED
	DIMENSIONS IN INCHES
2 PL DEC ± .01	
3 PL DEC ± .005	
4 PL DEC ± .0005	
ANGLES ± 1°	

THIS DRAWING CONTAINS CONFIDENTIAL AND PROPRIETARY INFORMATION WHICH IS THE PROPERTY OF OMNETICS CONNECTOR CORP. THIS DOCUMENT MAY NOT, IN WHOLE OR IN PART, BE DUPLICATED, OR DISCLOSED FOR ANY PURPOSE, WITHOUT WRITTEN PERMISSION FROM OMNETICS CONNECTOR CORP.	
DFTM. MJM	DATE 12-18-12
CHK'D.	DATE
APP'D.	DATE
TITLE: (09) POSITION MICRO-D CONNECTOR SAVER	

**OMNETICS**  
CONNECTOR CORPORATION  
7260 COMMERCE CIRCLE EAST  
MINNEAPOLIS, MN 55432  
WWW.OMNETICS.COM

CAGE CODE 61873	
DWG NO. A97011-009	
SHEET 1 OF 1	REV A
SCALE: 3:2	