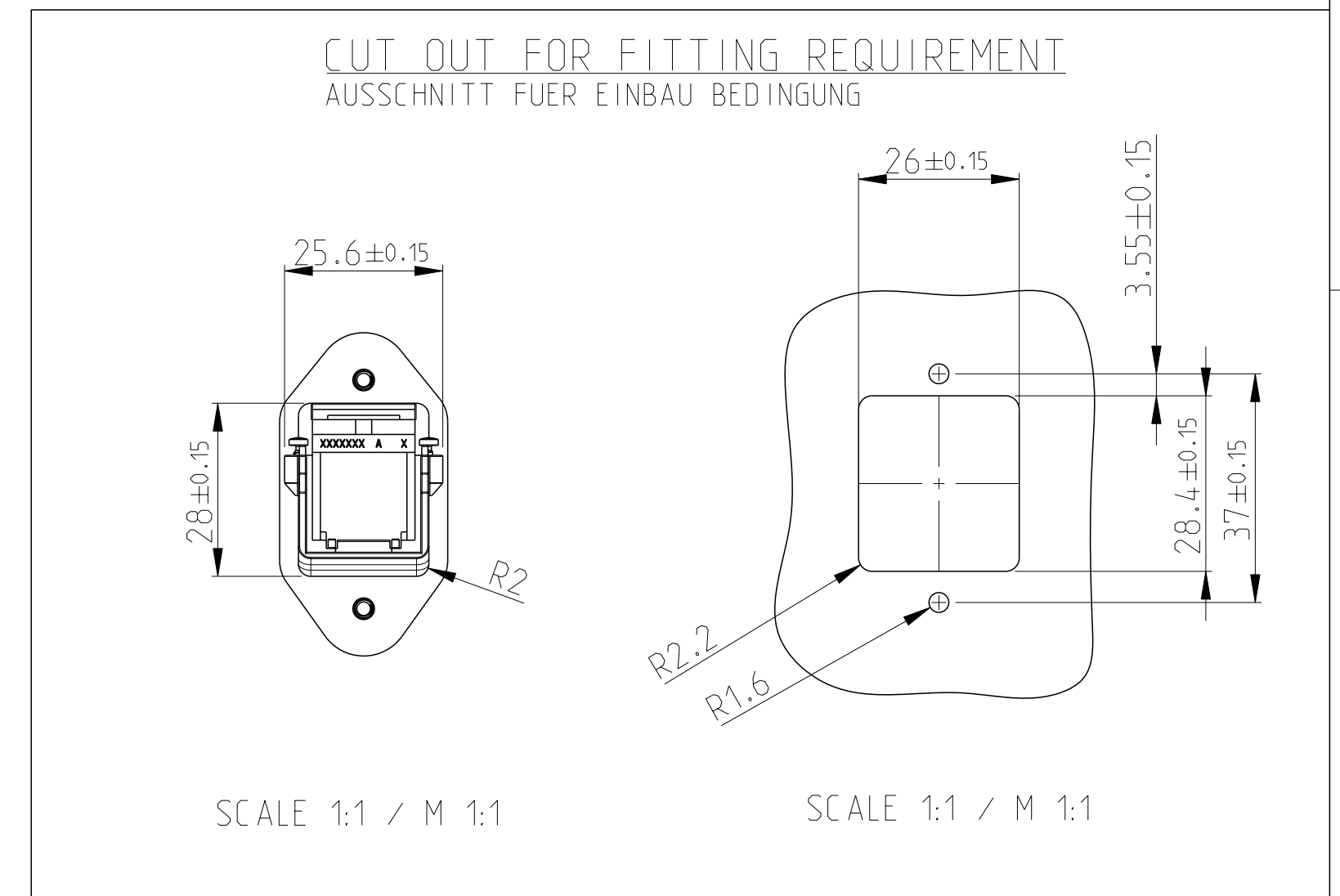
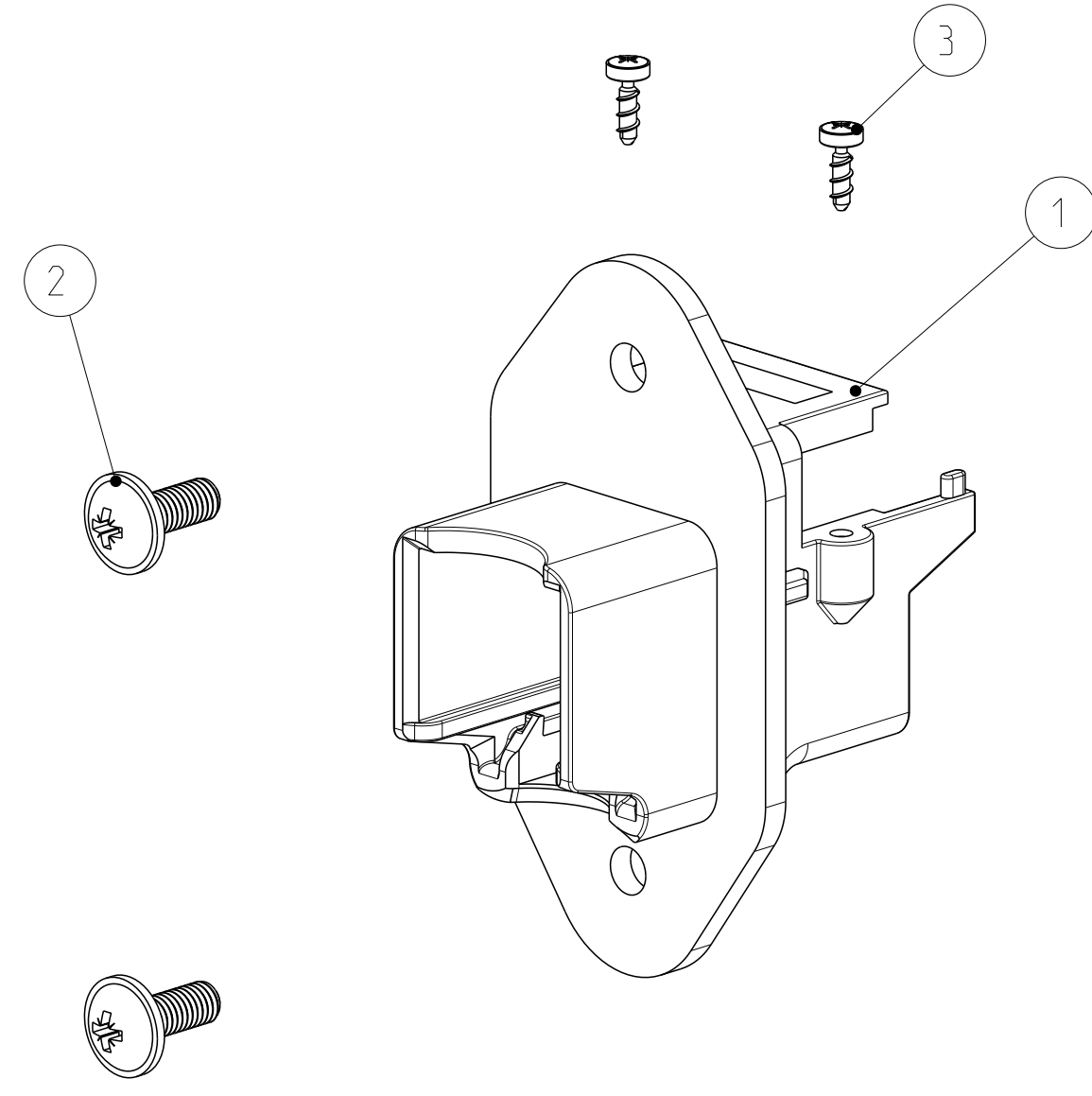


THIS DRAWING IS UNPUBLISHED. RELEASED FOR PUBLICATION 2008
 © COPYRIGHT 2008 BY - ALL RIGHTS RESERVED.

REVISIONS				
P	LTR	DESCRIPTION	DATE	APVD
A1		NEW DRAWING PUBLISHED	04FEB2008	N.T. R.K
A2		ECR-08-030470	08DEC2008	N.T. R.K.
A3		EGR-09-012142	28MAY2009	N.T. T.K.
A4		PN 1987306-2 DISCONTINUED	15DEC2017	T.J NG



SINGLE PACKING: PLASTIC BAG (MINI GRIP) WITH MANUAL.
 MULTI PACKING: 50 PIECE ITEM NO. 1 IN CORD TENSIONING BAG+
 100 PIECE ITEM NO. 2 IN PLASTIC BAG (MINI GRIP) +
 100 PIECE ITEM NO. 3 PLASTIC BAG (MINI GRIP) +
 PACKED IN CORRUGATED SHIPPING BOX WITH MANUAL.

EINZELVERPACKUNG: KUNSTOFFBEUTEL (MINI GRIP) MIT ANLEITUNG.
 MEHRFACHVERPACKUNG: 50 STUECK POS. 1 IN KORDELZUG BEUTEL +
 100 STUECK POS. 2 IN KUNSTSTOFFBEUTEL (MINI GRIP) +
 100 STUECK POS. 3 IN KUNSTSTOFFBEUTEL (MINI GRIP) +
 VERPACKT IN VERSANDKARTON MIT ANLEITUNG.

QTY REQD PER ASSY	REVISION OF EACH ASSY NO. (WHEN BLANK, USE DWG. REVISION)	DESCRIPTION	ITEM NO
-	-	MANUAL	4
-	1	TREAD ROLLING SCREW M1.6 x 6	3
-	2	ROUND HEAD SCREW M3 x 8	2
-	1	FRAME, RJ45 CONNECTOR IP20	1
-	-		

THIS DRAWING IS A CONTROLLED DOCUMENT.

DWN	09NOV2007	N.Thirunavukkarasu
CHK	04.FEB2008	W. BOECK
APVD	04.FEB2008	R. KRAEMER

TE Connectivity

ASSY, FRAME, RJ45 CONNECTOR IP20
 ASSY, RAHMEN, RJ45 CONNECTOR IP20

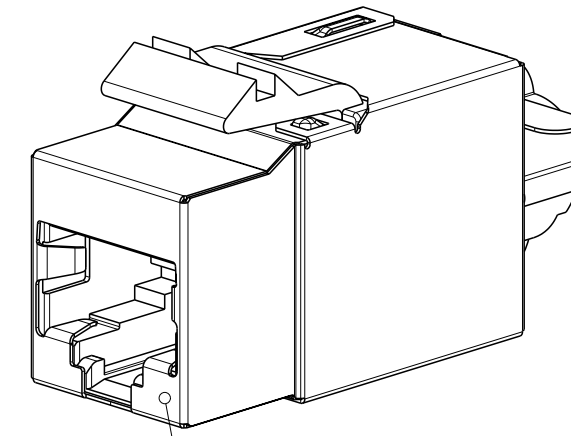
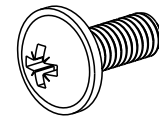
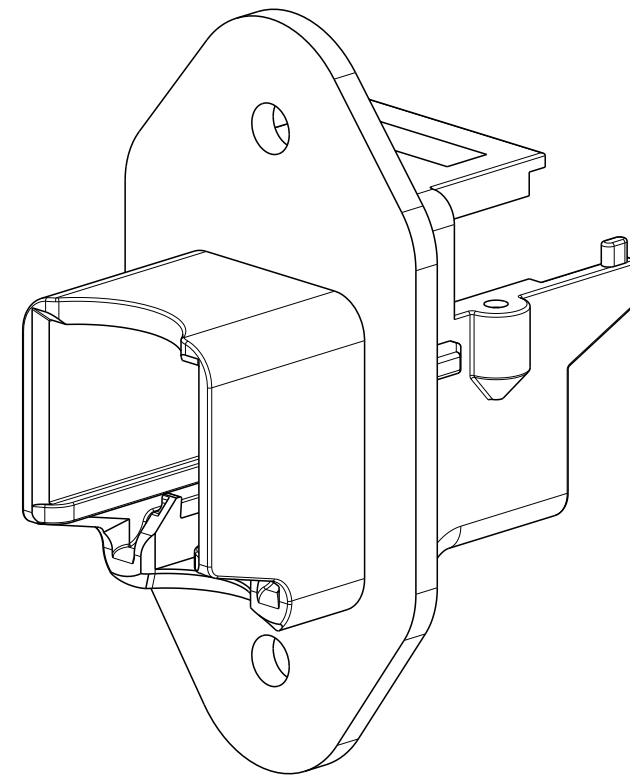
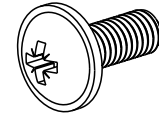
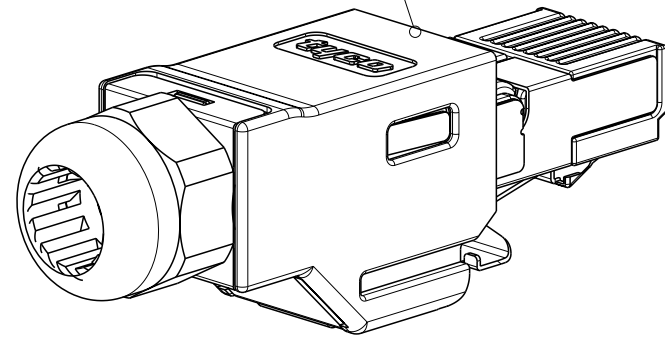
SIZE	CAGE CODE	DRAWING NO	RESTRICTED TO
A2	00779	C=1987306	-

CUSTOMER DRAWING SCALE 5:1 SHEET 1 OF 2 REV A4

APPLICABLE VERSION
 ANWENDBARE VERSION

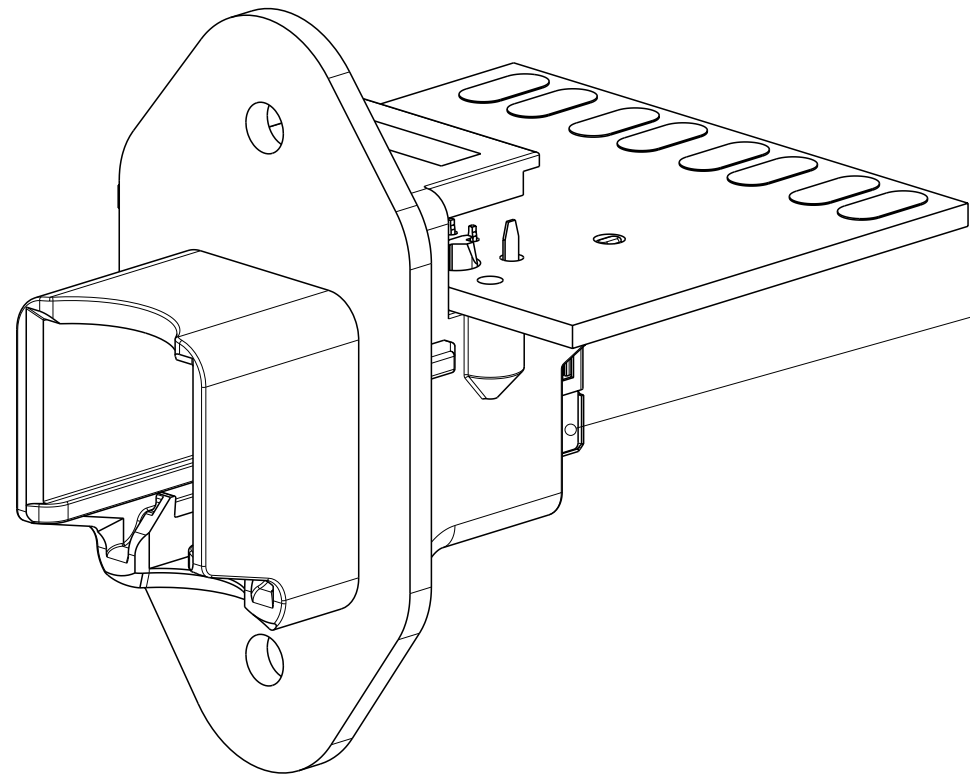
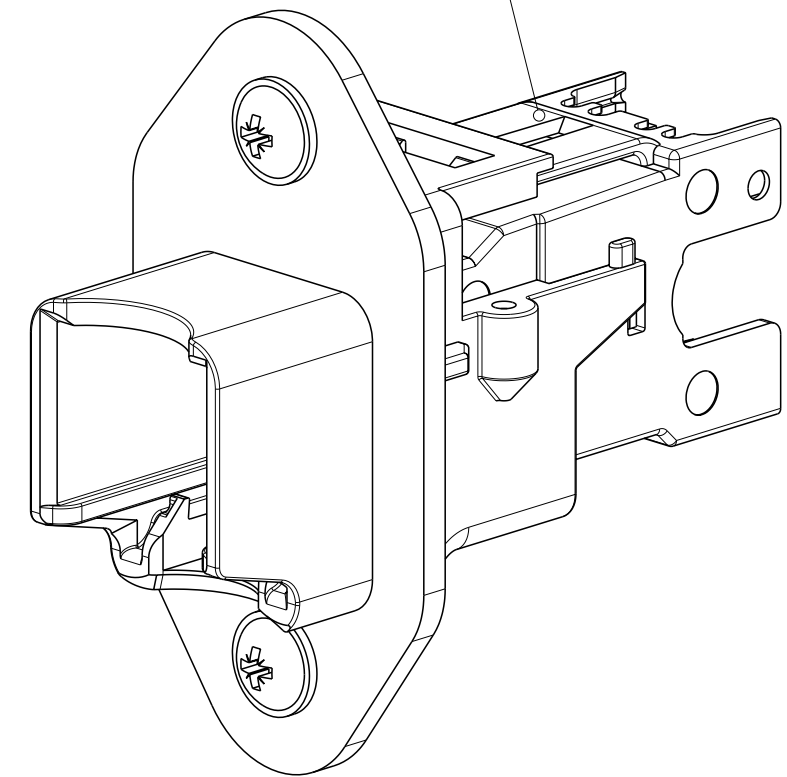
REVISIONS				
P	LTR	DESCRIPTION	DATE	APVD
-		SEE SHEET 1	-	-

RJ 45 CONNECTOR IP20 4POS DEG
 PN: 1903526-1
 RJ 45 CONNECTOR IP20 8POS DEG
 PN: 1903527-1
 RJ45 CONNECTOR IP20 45DEG
 INDUSTRIAL ETHERNET
 PN:1987236



ASSEMBLY, SL 110 JACK, SHIELD, CATEGORY 5e
 PN: 1375189-1

AMP-TWIST-6S SL JACK
 PN1711342-1



INVERTED MOD JACK ASSY SHIELDED
 PN: 406541-1

THIS DRAWING IS A CONTROLLED DOCUMENT.		DWN N.Thirunavukkarasu 09NOV2007	STE TE Connectivity		
		CHK W. BOECK 04.FEB2008			
DIMENSIONS: mm		APVD R.KRAEMER 04.FEB2008	NAME ASSY, FRAME, RJ45 CONNECTOR IP20 ASSY, RAHMEN, RJ45 CONNECTOR IP20		
TOLERANCES UNLESS OTHERWISE SPECIFIED: 0 PLC ± 1 PLC ± 2 PLC ± 3 PLC ± 4 PLC ± ANGLES ±1° FINISH		PRODUCT SPEC - APPLICATION SPEC - WEIGHT -	SIZE A2	CAGE CODE 00779	DRAWING NO C-1987306
MATERIAL - -		CUSTOMER DRAWING	RESTRICTED TO -	SCALE 2:1	SHEET 2 OF 2
				REV A4	