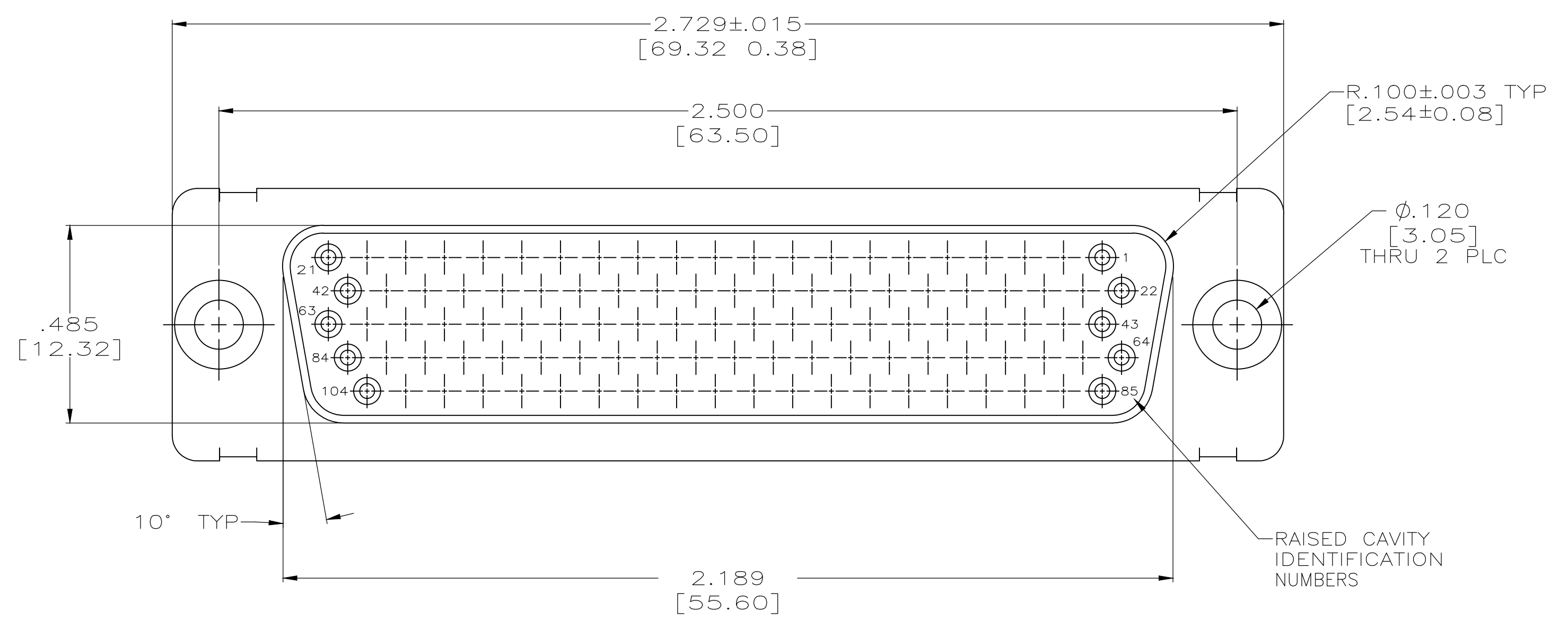
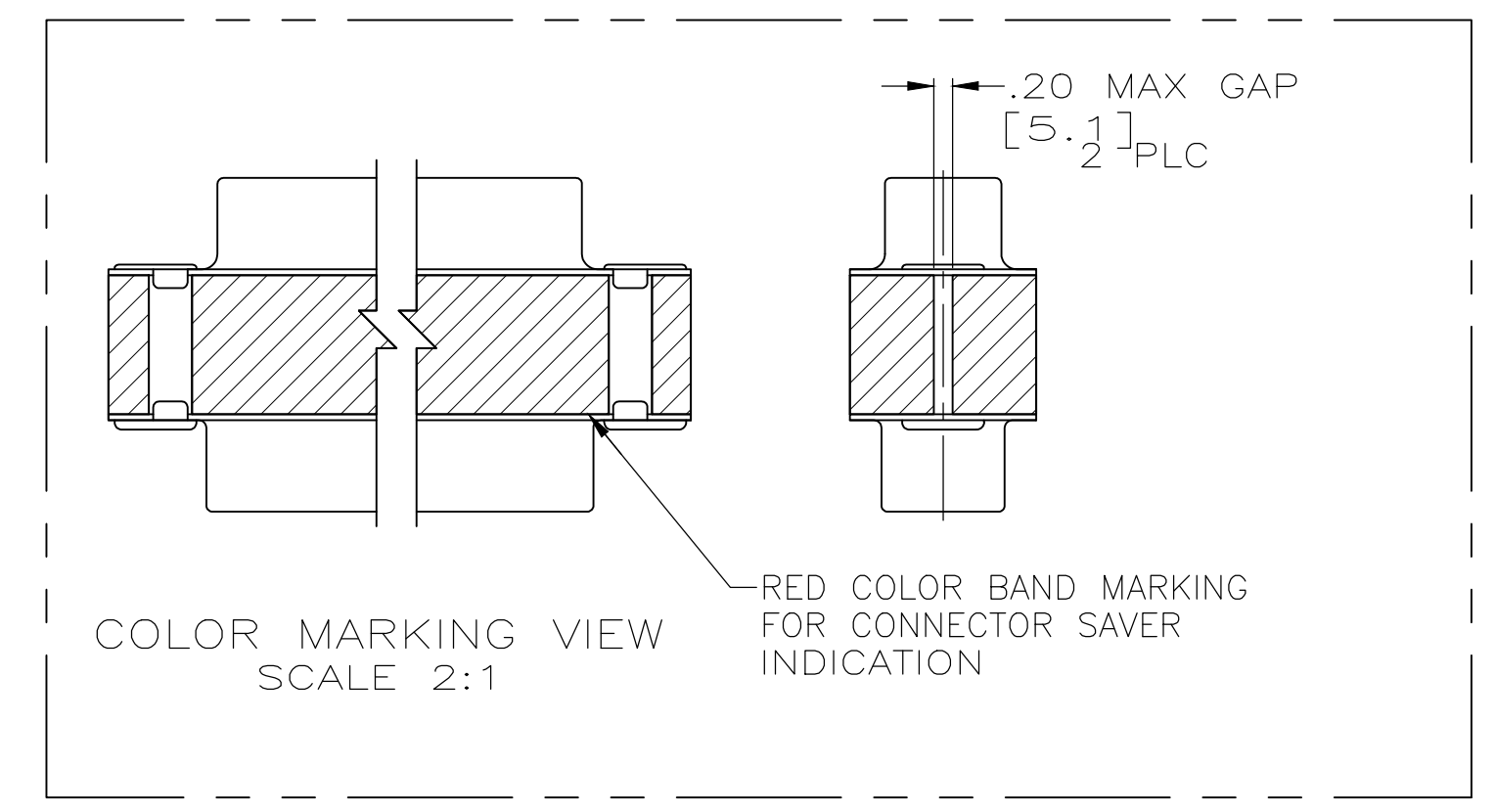
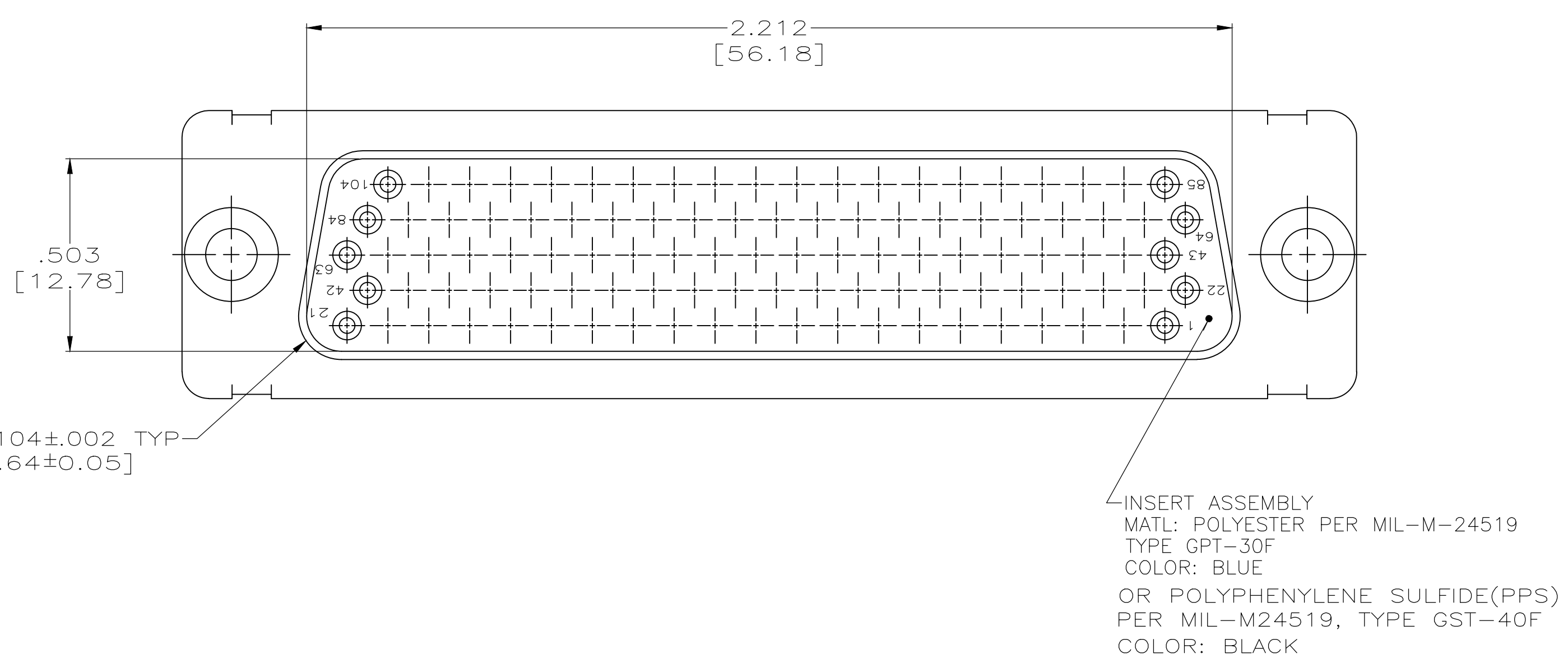
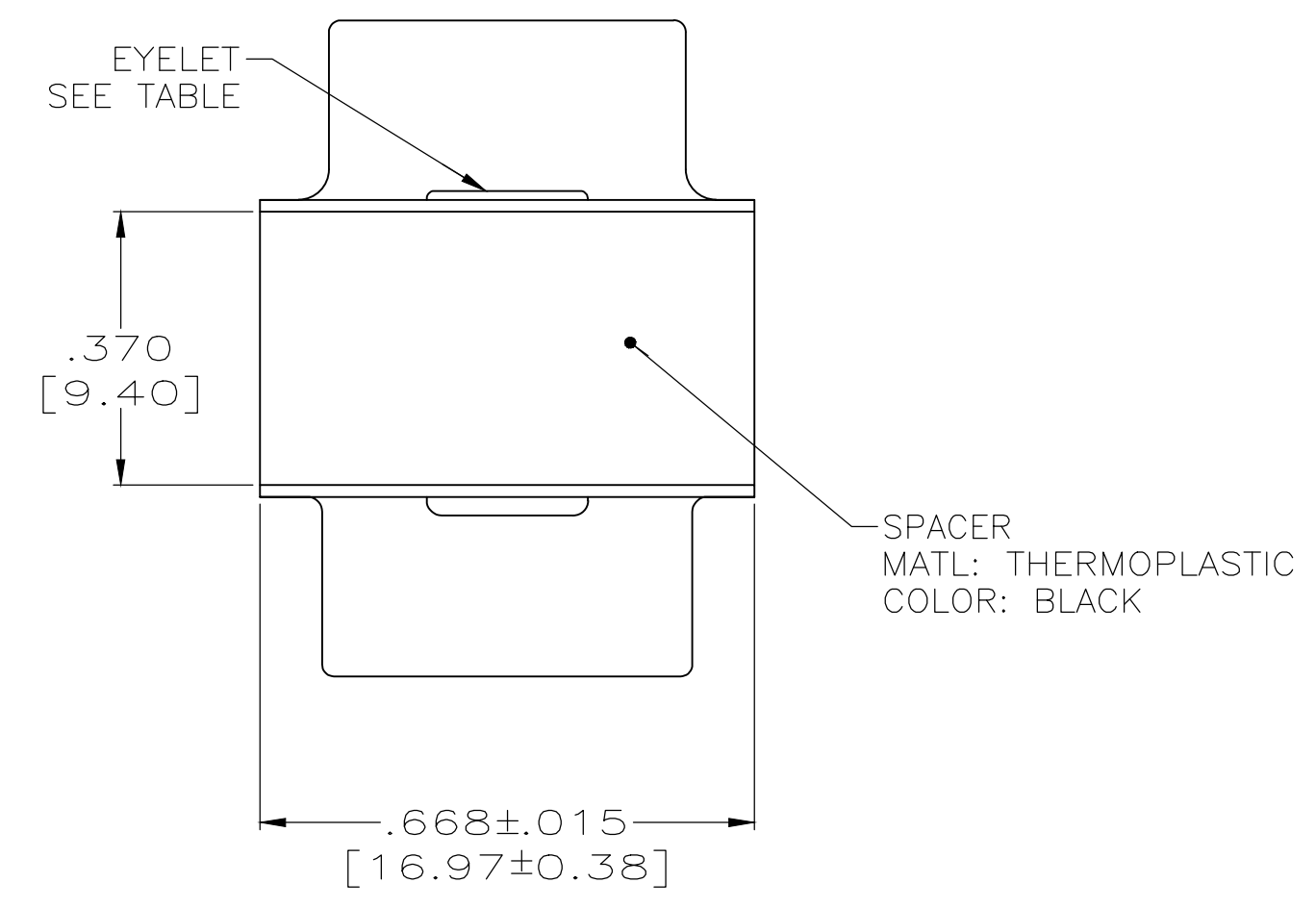
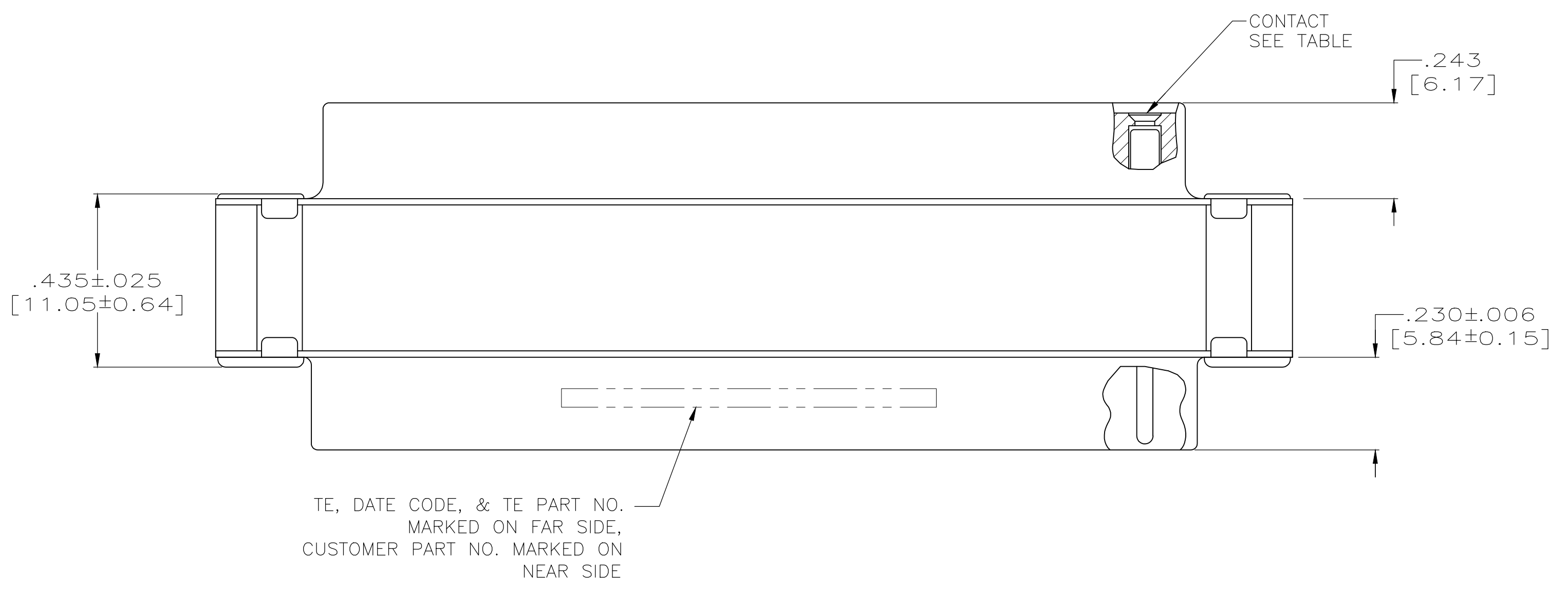


REVISIONS					
P	LTR	DESCRIPTION	DATE	DMN	APVD
E	REV PER ECO	19-019228	4-17-20	CT	DM



- CONTACTS INCLUDED IN ASSEMBLY.
- CONTACT  
 BODY MATL: BERYLLIUM COPPER PER ASTM-B-197.  
 BODY FINISH: PLATED GOLD, .000050 MIN THK PER MIL-G-45204 OVER NICKEL, .000050 MIN THK PER QQ-N-290.  
 HOOD MATL: STAINLESS STEEL PER ASTM-A-167.  
 HOOD FINISH: PASSIVATED PER ASTM-A-380
- MATL: BRASS PER ASTM-B-36.
- FINISH: PLATED GOLD, .000050 MIN THK PER MIL-G-45204 OVER COPPER, .000100 MIN THK PER MIL-C-14550.



③ ④	③ ④	②	4U884 SOCN R10002677-0011 (1J02-011)	1218313-2
③ ④	③ ④	②		1218313-1
EYELET	SHELLS	CONTACT	CUSTOMER P/N	PART NO.

THIS DRAWING IS A CONTROLLED DOCUMENT.		DIN T. THOMPSON 20AUG98		TE Connectivity																															
DIMENSIONS: INCHES		TOLERANCES UNLESS OTHERWISE SPECIFIED:		APVD J. NORTON 20AUG98																															
<table border="1"> <tr><td>0 PLC</td><td>±</td><td>-</td></tr> <tr><td>1 PLC</td><td>±</td><td>-</td></tr> <tr><td>2 PLC</td><td>±</td><td>-</td></tr> <tr><td>3 PLC</td><td>±</td><td>-</td></tr> <tr><td>4 PLC</td><td>±</td><td>-</td></tr> <tr><td>ANGLES</td><td>±</td><td>±</td></tr> </table>		0 PLC	±	-	1 PLC	±	-	2 PLC	±	-	3 PLC	±	-	4 PLC	±	-	ANGLES	±	±	<table border="1"> <tr><td>SIZE</td><td>CAGE CODE</td><td>DRAWING NO</td><td>RESTRICTED TO</td></tr> <tr><td>A1</td><td>00779</td><td>1218313</td><td>-</td></tr> </table>		SIZE	CAGE CODE	DRAWING NO	RESTRICTED TO	A1	00779	1218313	-	<table border="1"> <tr><td>WEIGHT</td><td>0.000000</td></tr> <tr><td>CUSTOMER DRAWING</td><td>SCALE 4:1 SHEET 1 OF 1 REV E</td></tr> </table>		WEIGHT	0.000000	CUSTOMER DRAWING	SCALE 4:1 SHEET 1 OF 1 REV E
0 PLC	±	-																																	
1 PLC	±	-																																	
2 PLC	±	-																																	
3 PLC	±	-																																	
4 PLC	±	-																																	
ANGLES	±	±																																	
SIZE	CAGE CODE	DRAWING NO	RESTRICTED TO																																
A1	00779	1218313	-																																
WEIGHT	0.000000																																		
CUSTOMER DRAWING	SCALE 4:1 SHEET 1 OF 1 REV E																																		