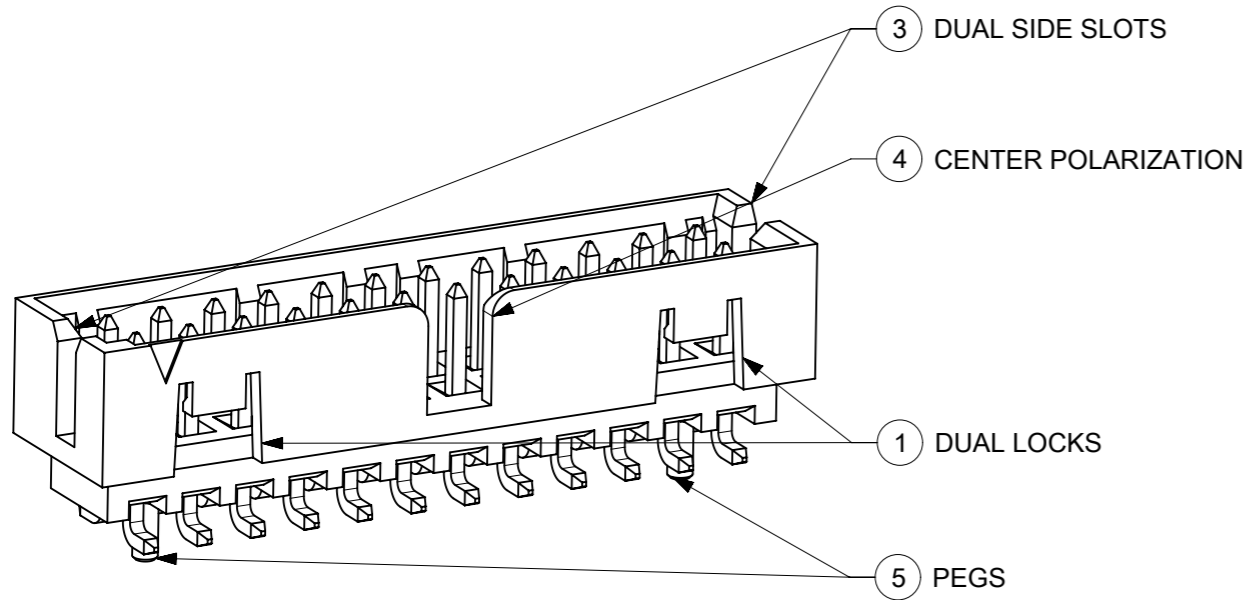


# FEATURES SELECTION GUIDE



2 CENTER LOCK



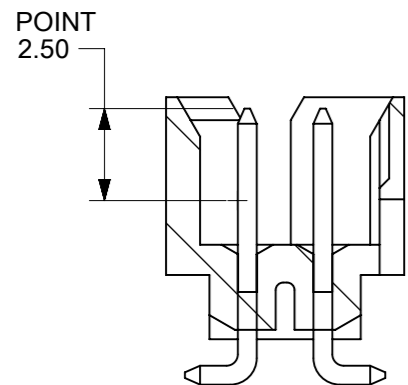
3 DUAL SIDE SLOTS

4 CENTER POLARIZATION

1 DUAL LOCKS

5 PEGS

## PLATING MEASUREMENT



| CIRCUIT SIZE | FEATURES       |          |                 |                     |      | SHEET NO |
|--------------|----------------|----------|-----------------|---------------------|------|----------|
|              | FRICTION LOCKS |          | DUAL SIDE SLOTS | CENTER POLARIZATION | PEGS |          |
|              | 1 DUAL         | 2 CENTER |                 |                     |      |          |
| 4            | N.A            | N.A      | YES             | N.A                 | N.A  | 2 - 3    |
|              | N.A            | YES      | YES             | N.A                 | N.A  |          |
| 6            | N.A            | N.A      | YES             | N.A                 | N.A  | 4 - 5    |
|              | N.A            | N.A      | YES             | N.A                 | YES  |          |
|              | N.A            | N.A      | YES             | YES                 | N.A  |          |
|              | N.A            | YES      | YES             | N.A                 | N.A  |          |
|              | N.A            | YES      | YES             | N.A                 | YES  |          |
| 8 TO 12      | N.A            | N.A      | YES             | YES                 | YES  | 6 - 7    |
|              | N.A            | N.A      | YES             | YES                 | N.A  |          |
|              | N.A            | YES      | YES             | N.A                 | YES  |          |
| 14 TO 50     | YES            | N.A      | YES             | YES                 | N.A  | 8 - 11   |
|              | YES            | N.A      | YES             | YES                 | YES  |          |

THIS DRAWING CONTAINS INFORMATION THAT IS PROPRIETARY TO MOLEX ELECTRONIC TECHNOLOGIES, LLC AND SHOULD NOT BE USED WITHOUT WRITTEN PERMISSION

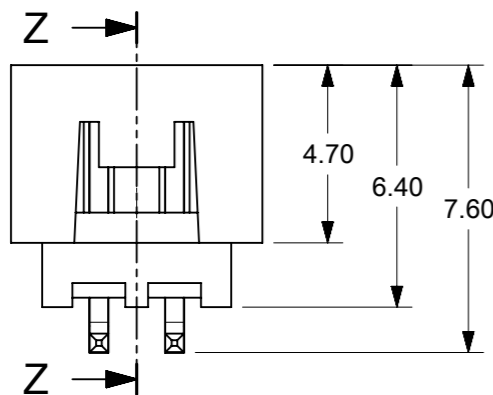
|   |            |                                       |  |                 |                        |                 |  |                |              |
|---|------------|---------------------------------------|--|-----------------|------------------------|-----------------|--|----------------|--------------|
| EC NO: 721932<br>DRWN: DANUSA<br>CHK'D: DANUSA<br>REV APPR: MIRAMAKRISHNA | 2022/07/25 | GENERAL TOLERANCES (UNLESS SPECIFIED) |  | DIMENSION UNITS | SCALE                  |                 |  |                |              |
|   | 2022/09/20 | MM                                    | INCH   | MM              | NTS                    |                 |  |                |              |
|   | 2022/09/20 | 4 PLACES ±                            | ±  | DRWN BY         | DATE                   |                 | MILLIGRID<br>2MM PITCH, SMT VERTICAL SHROUDED HEADER |                |              |
|   |            | 3 PLACES ±                            | ±  | GMENARLY        | 2015/05/22             |                 |  |                |              |
|   |            | 2 PLACES ± 0.2                        | ±  | CHK'D BY        | DATE                   |                 |  |                |              |
|   |            | 1 PLACES ±                            | ±  | CGOH            | 2015/09/21             |                 | PRODUCT CUSTOMER DRAWING                             |                |              |
|   | 0 PLACES ± | ±                                     | APPR BY  | DATE            |                        |                 |  |                |              |
|   |            |                                       | KHLIM  | 2015/09/22      | SERIES                 | MATERIAL NUMBER | CUSTOMER   |                |              |
|   |            |                                       | ANGULAR TOL = 3.0                                    | DRAWING SIZE    | THIRD ANGLE PROJECTION | 87832           | SEE TABLE  | GENERAL MARKET |              |
|   |            |                                       | DRAFT WHERE APPLICABLE MUST REMAIN WITHIN DIMENSIONS | A3              |                        | DOCUMENT NUMBER | DOC TYPE   | DOC PART       | SHEET NUMBER |
| A21   |            |                                       |  |                 |                        | SD-87832-0001   | PSD  | 001            | 1 OF 13      |



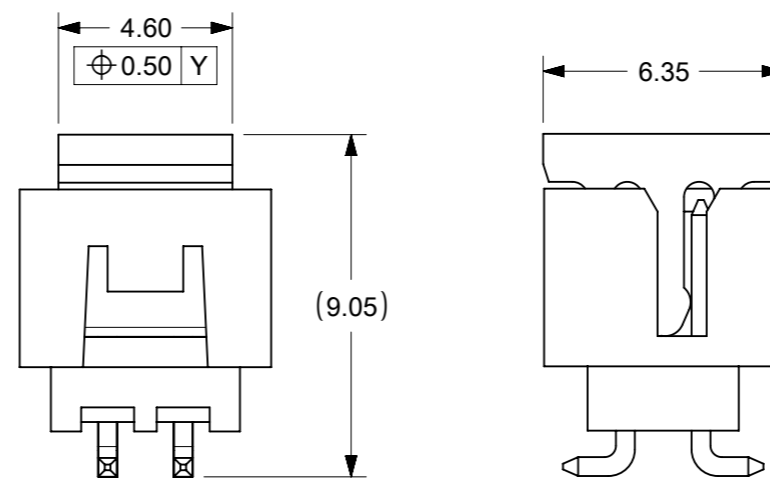
# 4 CIRCUITS



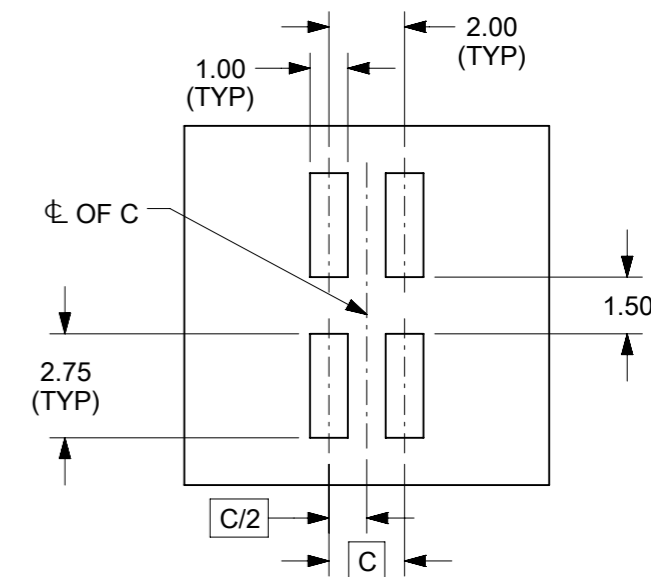
ISO VIEW OF HEADER WITH ONLY DUAL SLOTS



SECTION Z-Z



VIEW FOR HEADER WITH CAP



RECOMMENDED PCB LAYOUT

**NOTES:**

- MATERIALS:**  
HOUSING & CAP: 30% GF, NYLON, UL94V-0, COLOR: BLACK  
PIN: 0.50mm SQ. PHOSPHOR BRONZE
- FINISHES:** REFER TO PLATING OPTIONS
- PRODUCT SPECIFICATION:** PS-87831-027
- PACKAGING SPECIFICATION:** SEE PACKAGING SPECS TABLE ON SHEET 12
- MATES WITH:** A. MOLEX CRIMP RECEPTACLE HOUSING: 51110 SERIES AND CRIMP TERMINAL: 50394 SERIES  
B. MOLEX 2mm MILLIGRID DUAL ROW IDT: 87568 SERIES  
C. MOLEX 2mm MILLIGRID DUAL ROW RECEPTACLE: 79107 (GOLD PLATED), 78787 (TIN PLATED)
- COPLANARITY IS TO BE MEASURED BY RESTING THE SOLDER TAIL ON A GAUGE SURFACE
- BEND DEPRESSION ON SMT TAIL IS ACCEPTABLE SO LONG AS IT DOES NOT AFFECT THE OVERALL COPLANARITY
- TOP SURFACE OF CAP TO BE FLAT FOR THE PURPOSE OF PICK & PLACE BY VACUUM SUCTION NOZZLE

THIS DRAWING CONTAINS INFORMATION THAT IS PROPRIETARY TO MOLEX ELECTRONIC TECHNOLOGIES, LLC AND SHOULD NOT BE USED WITHOUT WRITTEN PERMISSION

|   |            |  |      |                 |                        |            |  |   |  |
|---|------------|--|------|-----------------|------------------------|------------|--|---|--|
| EC NO: 721932<br>DRWN: DANUSA<br>CHK'D: DANUSA<br>REV APPR: MIRAMAKRISHNA | 2022/07/25 | GENERAL TOLERANCES (UNLESS SPECIFIED)                |      | DIMENSION UNITS |                        | SCALE      |  |   |  |
|   | 2022/09/20 | MM   | INCH | MM              | NTS                    |            |  |   |  |
|   | 2022/09/20 | 4 PLACES ±   | ±    | DRWN BY         | DATE                   |            |  |   |  |
|   |            | 3 PLACES ±   | ±    | GMENARLY        | 2015/05/22             |            |  |   |  |
|   |            | 2 PLACES ±   | 0.2  | ±               | CHK'D BY               | DATE       |  |   |  |
|   |            | 1 PLACES ±   | ±    | ±               | CGOH                   | 2015/09/21 |  |   |  |
|   |            | 0 PLACES ±   | ±    | ±               | APPR BY                | DATE       |  |   |  |
|   |            |  |      |                 | KHLIM                  | 2015/09/22 |  |   |  |
|   |            | ANGULAR TOL = 3.0                                    |      | DRAWING SIZE    | THIRD ANGLE PROJECTION |            |  |   |  |
|   |            | DRAFT WHERE APPLICABLE MUST REMAIN WITHIN DIMENSIONS |      | A3              |                        |            |  |   |  |
| A21   |            |  |      |                 |                        |            |  | <b>MILLIGRID</b><br><b>2MM PITCH, SMT VERTICAL SHROUDED HEADER</b>                        |  |
|   |            |  |      |                 |                        |            |  | <b>PRODUCT CUSTOMER DRAWING</b>   |  |
|   |            |  |      |                 |                        |            |  | SERIES: 87832    MATERIAL NUMBER: SEE TABLE    CUSTOMER: GENERAL MARKET                   |  |
|   |            |  |      |                 |                        |            |  | DOCUMENT NUMBER: SD-87832-0001    DOC TYPE: PSD    DOC PART: 001    SHEET NUMBER: 2 OF 13 |  |


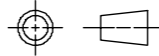
4 CIRCUITS

| CKT SIZE   | ASSY P/N WITHOUT CAP IN TUBE | ASSY P/N WITH CAP IN TUBE | ASSY P/N WITH CAP IN T&R | T&R OPTIONS (SEE SHEET 12) | PLATING OPTIONS | FRICTION LOCKS |        | DUAL SIDE SLOTS | CENTER POLARIZATION | PEGS | DIMENSION |      |      |     |     |      |            |           |
|------------|------------------------------|---------------------------|--------------------------|----------------------------|-----------------|----------------|--------|-----------------|---------------------|------|-----------|------|------|-----|-----|------|------------|-----------|
|            |                              |                           |                          |                            |                 | DUAL           | CENTER |                 |                     |      | A         | B    | C    | D   | E   | F    | G (COPLAN) | H         |
| 4          | 87832-0460                   | 87832-0462                | 87832-5162               | 1                          | 1               | N.A            | N.A    | YES             | N.A                 | N.A  | 6.65      | 4.85 | 2.00 | N.A | N.A | 5.00 | 0.10       | 3.60±0.20 |
|            | 87832-0420                   | 87832-0422                | 87832-5122               | 1                          | 2               |                |        |                 |                     |      |           |      |      |     |     |      |            |           |
|            | 87832-0421                   | 87832-0423                | 87832-5123               | 1                          | 3               |                |        |                 |                     |      |           |      |      |     |     |      |            |           |
|            | 87832-0470                   | 87832-0472                | 87832-5172               | 1                          | 4               |                |        |                 |                     |      |           |      |      |     |     |      |            |           |
|            | 87832-0410                   | 87832-0408                | 87832-0406               | 1                          | 2               | N.A            | YES    | YES             | N.A                 | N.A  |           |      |      |     |     |      | 0.10       |           |
|            |                              |                           | 87832-5106               | 2                          | 2               |                |        |                 |                     |      |           |      |      |     |     |      |            |           |
|            | 87832-0411                   | 87832-0409                | 87832-0407               | 1                          | 3               | N.A            | YES    | YES             | N.A                 | N.A  |           |      |      |     |     |      |            |           |
| 87832-0404 | N.A                          | N.A                       | N.A                      | 2                          | 0.10            |                |        |                 |                     |      |           |      |      |     |     |      |            |           |

**PLATING OPTIONS:**

- 1 - 0.05-0.13µm/2-5µin GOLD IN CONTACT AREA AND 1.88µm/75µin MIN. MATTE TIN IN SOLDER TAIL AREA OVER 1.27µm/50µin MIN. NICKEL OVERALL.
- 2 - 0.38µm/15µin MIN. GOLD IN CONTACT AREA AND 1.88µm/75µin MIN. MATTE TIN IN SOLDER TAIL AREA OVER 1.27µm/50µin MIN. NICKEL OVERALL.
- 3 - 0.76µm/30µin MIN. GOLD IN CONTACT AREA AND 1.88µm/75µin MIN. MATTE TIN IN SOLDER TAIL AREA OVER 1.27µm/50µin MIN. NICKEL OVERALL.
- 4 - 2.50µm/100µin MIN. MATTE TIN OVER 1.25µm/50µin MIN. NICKEL OVERALL.

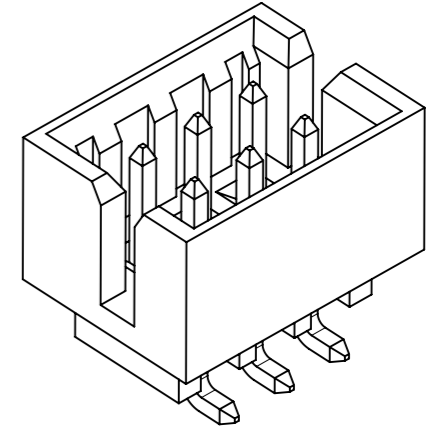
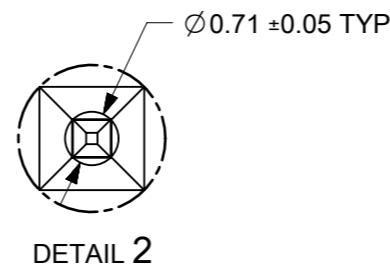
THIS DRAWING CONTAINS INFORMATION THAT IS PROPRIETARY TO MOLEX ELECTRONIC TECHNOLOGIES, LLC AND SHOULD NOT BE USED WITHOUT WRITTEN PERMISSION

|  |            |  |              |   |                 |   |                |              |
|--|------------|--|--------------|---|-----------------|---|----------------|--------------|
| EC NO: 721932<br>DRWN: DANUSA<br>CHKD: DANUSA<br>REV APPR: MIRAMAKRISHNA | 2022/07/25 | GENERAL TOLERANCES (UNLESS SPECIFIED)                |              | DIMENSION UNITS   | SCALE           | <br><br>MILLIGRID<br>2MM PITCH, SMT VERTICAL SHROUDED HEADER<br><br>PRODUCT CUSTOMER DRAWING |                |              |
|  | 2022/09/20 | MM   | INCH         | MM  | NTS             |   |                |              |
|  | 2022/09/20 | 4 PLACES ±   | ±            | DRWN BY   | DATE            |   |                |              |
|  |            | 3 PLACES ±   | ±            | GMENARLY  | 2015/05/22      |   |                |              |
|  |            | 2 PLACES ± 0.2                                       | ±            | CHK'D BY  | DATE            |   |                |              |
|  |            | 1 PLACES ±   | ±            | CGOH  | 2015/09/21      |   |                |              |
|  | 0 PLACES ± | ±  | APPR BY      | DATE  |                 |   |                |              |
|  |            |  | KHLIM        | 2015/09/22  |                 |   |                |              |
|  |            | ANGULAR TOL = 3.0                                    | DRAWING SIZE | THIRD ANGLE PROJECTION  |                 |   |                |              |
|  |            | DRAFT WHERE APPLICABLE MUST REMAIN WITHIN DIMENSIONS | A3           |  |                 |   |                |              |
|  |            |  |              |   | SERIES          | MATERIAL NUMBER   | CUSTOMER       |              |
|  |            |  |              |   | 87832           | SEE TABLE   | GENERAL MARKET |              |
|  |            |  |              |   | DOCUMENT NUMBER | DOC TYPE  | DOC PART       | SHEET NUMBER |
|  |            |  |              |   | SD-87832-0001   | PSD   | 001            | 3 OF 13      |

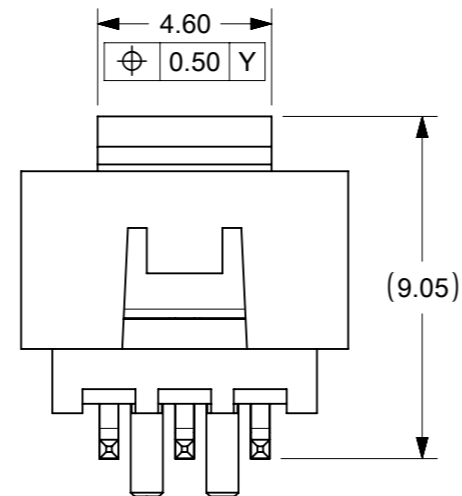
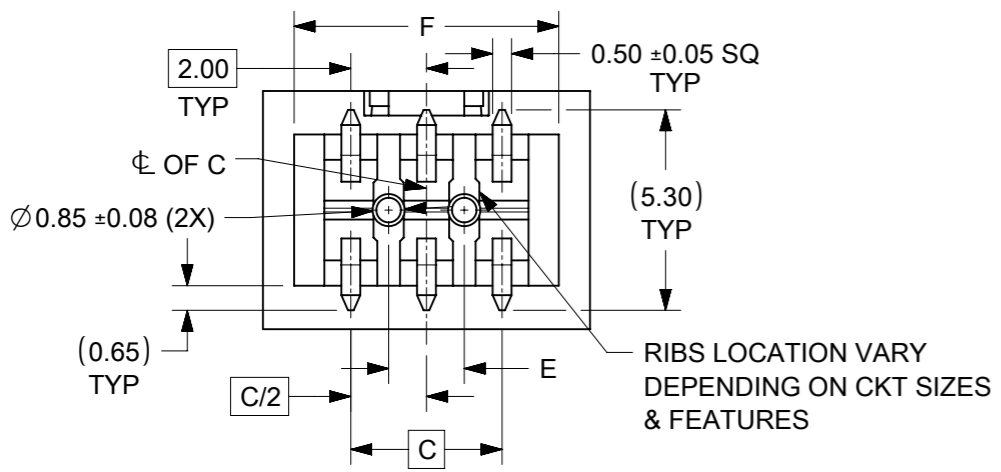
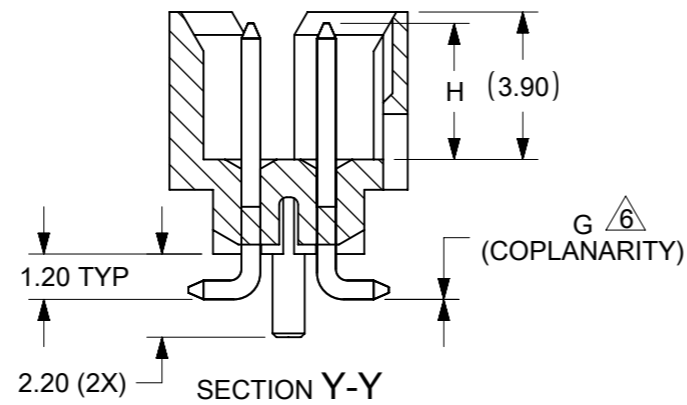
|                |    |              |            |          |
|----------------|----|--------------|------------|----------|
| RELEASE STATUS | P1 | RELEASE DATE | 2022/09/20 | 09:04:31 |
|----------------|----|--------------|------------|----------|



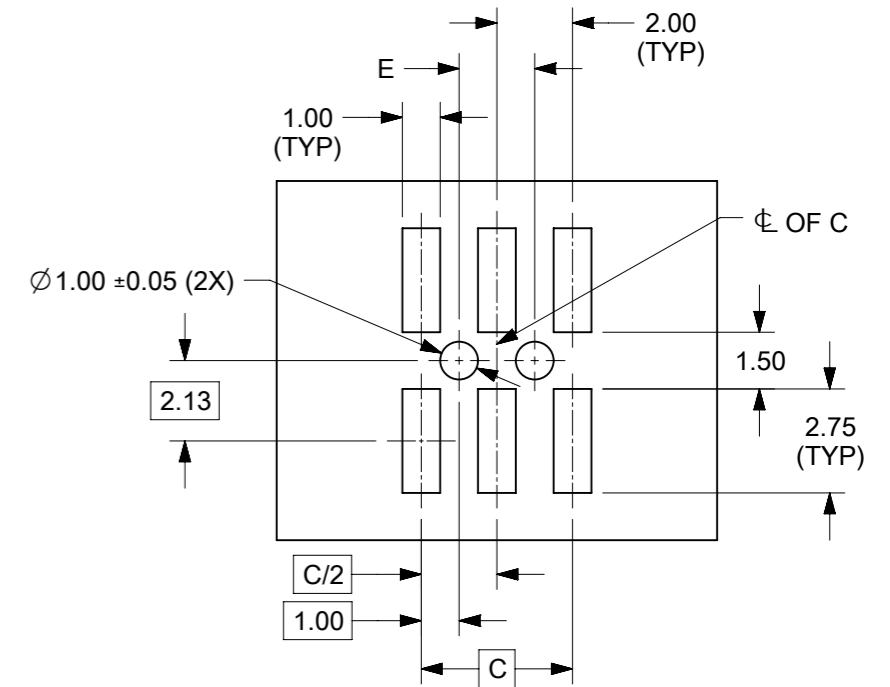
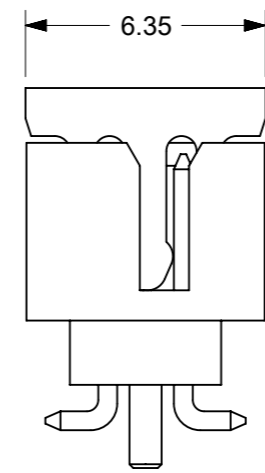
6 CIRCUITS



VIEW FOR HEADER WITH ONLY DUAL SLOTS



VIEW FOR HEADER WITH CAP



RECOMMENDED PCB LAYOUT

- NOTES:
- MATERIALS:  
HOUSING & CAP: 30% GF, NYLON, UL94V-0, COLOR: BLACK  
PIN: 0.50mm SQ. PHOSPHOR BRONZE
  - FINISHES: REFER TO PLATING OPTIONS
  - PRODUCT SPECIFICATION: PS-87831-027
  - PACKAGING SPECIFICATION: SEE PACKAGING SPECS TABLE ON SHEET 12
  - MATES WITH: A. MOLEX CRIMP RECEPTACLE HOUSING: 51110 SERIES AND CRIMP TERMINAL: 50394 SERIES  
B. MOLEX 2mm MILLIGRID DUAL ROW IDT: 87568 SERIES  
C. MOLEX 2mm MILLIGRID DUAL ROW RECEPTACLE: 79107 (GOLD PLATED), 78787 (TIN PLATED)
- 6 COPLANARITY IS TO BE MEASURED BY RESTING THE SOLDER TAIL ON A GAUGE SURFACE
7. BEND DEPRESSION ON SMT TAIL IS ACCEPTABLE SO LONG AS IT DOES NOT AFFECT THE OVERALL COPLANARITY
8. TOP SURFACE OF CAP TO BE FLAT FOR THE PURPOSE OF PICK & PLACE BY VACUUM SUCTION NOZZLE

THIS DRAWING CONTAINS INFORMATION THAT IS PROPRIETARY TO MOLEX ELECTRONIC TECHNOLOGIES, LLC AND SHOULD NOT BE USED WITHOUT WRITTEN PERMISSION

|   |            |  |      |                 |          |                        |            |                 |  |                 |  |                |  |              |  |
|---|------------|--|------|-----------------|----------|------------------------|------------|-----------------|--|-----------------|--|----------------|--|--------------|--|
| EC NO: 721932<br>DRWN: DANUSA<br>CHK'D: DANUSA<br>REV APPR: MIRAMAKRISHNA | 2022/07/25 | GENERAL TOLERANCES (UNLESS SPECIFIED)                |      | DIMENSION UNITS |          | SCALE                  |            |                 |  |                 |  |                |  |              |  |
|   | 2022/09/20 | MM   | INCH | MM              | NTS      | DRWN BY                |            |                 |  |                 |  | DATE           |  |              |  |
|   | 2022/09/20 | 4 PLACES   | ±    | ±               | GMENARLY |                        | 2015/05/22 |                 | MILLIGRID<br>2MM PITCH, SMT VERTICAL SHROUDED HEADER |                 |  |                |  |              |  |
|   |            | 3 PLACES   | ±    | ±               | CHK'D BY |                        | DATE       |                 |  |                 |  |                |  |              |  |
|   | 2 PLACES   | ±  | 0.2  | ±               | CGOH     |                        | 2015/09/21 |                 | PRODUCT CUSTOMER DRAWING                             |                 |  |                |  |              |  |
|   | 1 PLACES   | ±  | ±    | APPR BY         |          | DATE                   |            |                 |  |                 |  |                |  |              |  |
|   | 0 PLACES   | ±  | ±    | KHLIM           |          | 2015/09/22             |            | SERIES          |  | MATERIAL NUMBER |  | CUSTOMER       |  |              |  |
|   |            | ANGULAR TOL = 3.0                                    |      | DRAWING SIZE    |          | THIRD ANGLE PROJECTION |            | 87832           |  | SEE TABLE       |  | GENERAL MARKET |  |              |  |
|   |            | DRAFT WHERE APPLICABLE MUST REMAIN WITHIN DIMENSIONS |      | A3              |          |                        |            | DOCUMENT NUMBER |  | DOC TYPE        |  | DOC PART       |  | SHEET NUMBER |  |
|   |            |  |      |                 |          |                        |            | SD-87832-0001   |  | PSD             |  | 001            |  | 4 OF 13      |  |

# 6 CIRCUITS

| CKT SIZE   | ASSY P/N WITHOUT CAP IN TUBE | ASSY P/N WITH CAP IN TUBE | ASSY P/N WITH CAP IN T&R | ASSY P/N WITHOUT CAP IN T&R | T&R OPTIONS (SEE SHEET 12) | PLATING OPTIONS | FRICTION LOCKS |        | DUAL SIDE SLOTS | CENTER POLARIZATION | PEGS | DIMENSION |      |      |     |      |           |            |           |
|------------|------------------------------|---------------------------|--------------------------|-----------------------------|----------------------------|-----------------|----------------|--------|-----------------|---------------------|------|-----------|------|------|-----|------|-----------|------------|-----------|
|            |                              |                           |                          |                             |                            |                 | DUAL           | CENTER |                 |                     |      | A         | B    | C    | D   | E    | F         | G (COPLAN) | H         |
| 6          | 87832-0660                   | 87832-0662                | 87832-5262               |                             | 1                          | 1               | N.A            | N.A    | YES             | N.A                 | YES  | 8.65      | 6.85 | 4.00 | N.A | 2.00 | 7.00      | 0.10       | 3.60±0.20 |
|            | 87832-0620                   | 87832-0622                | 87832-5222               | 87832-5230                  | 1                          | 2               |                |        |                 |                     |      |           |      |      |     |      |           |            |           |
|            | 87832-0621                   | 87832-0623                | 87832-5223               |                             | 1                          | 3               |                |        |                 |                     |      |           |      |      |     |      |           |            |           |
|            | 87832-0670                   | 87832-0672                | 87832-5272               |                             | 1                          | 4               |                |        |                 |                     |      |           |      |      |     |      |           |            |           |
|            | 87832-0612                   | 87832-0616                | 87832-0614               |                             | 1                          | 2               | N.A            | N.A    | YES             | N.A                 | N.A  |           |      |      |     |      |           | 0.10       | 3.60±0.20 |
|            | 87832-0613                   | 87832-0617                | 87832-0615               |                             | 1                          | 3               | N.A            | N.A    | YES             | YES                 | N.A  |           |      |      |     |      |           |            |           |
|            | 87832-0624                   | 87832-0626                | 87832-0628               |                             | 1                          | 2               | N.A            | YES    | YES             | N.A                 | N.A  |           |      |      |     |      |           |            |           |
|            | 87832-0625                   | 87832-0627                | 87832-0629               |                             | 1                          | 3               | N.A            | YES    | YES             | N.A                 | YES  |           |      |      |     |      |           |            |           |
|            | 87832-0610                   | 87832-0608                | 87832-0606               |                             | 1                          | 2               |                |        |                 |                     |      |           |      |      |     |      |           | N.A        | YES       |
|            | 87832-0611                   | 87832-0609                | 87832-0607               |                             | 1                          | 3               | N.A            | YES    | YES             | N.A                 | YES  |           |      |      |     |      |           |            |           |
| 87832-0604 | N.A                          | N.A                       |                          | N.A                         | 2                          | N.A             |                |        |                 |                     |      | YES       | YES  | N.A  | YES | 0.10 | 3.60±0.20 |            |           |

**PLATING OPTIONS:**

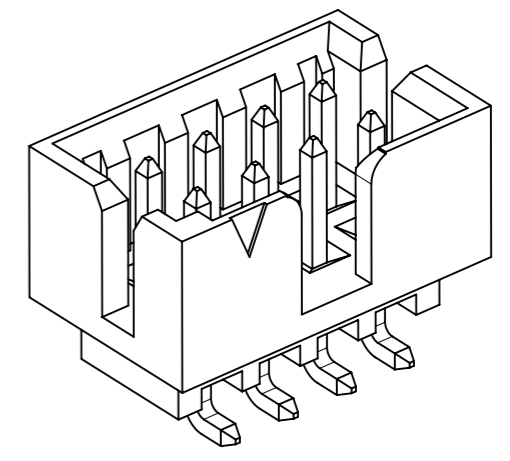
- 1 - 0.05-0.13µm/2-5µin GOLD IN CONTACT AREA AND 1.88µm/75µin MIN. MATTE TIN IN SOLDER TAIL AREA OVER 1.27µm/50µin MIN. NICKEL OVERALL.
- 2 - 0.38µm/15µin MIN. GOLD IN CONTACT AREA AND 1.88µm/75µin MIN. MATTE TIN IN SOLDER TAIL AREA OVER 1.27µm/50µin MIN. NICKEL OVERALL.
- 3 - 0.76µm/30µin MIN. GOLD IN CONTACT AREA AND 1.88µm/75µin MIN. MATTE TIN IN SOLDER TAIL AREA OVER 1.27µm/50µin MIN. NICKEL OVERALL.
- 4 - 2.50µm/100µin MIN. MATTE TIN OVER 1.25µm/50µin MIN. NICKEL OVERALL.

THIS DRAWING CONTAINS INFORMATION THAT IS PROPRIETARY TO MOLEX ELECTRONIC TECHNOLOGIES, LLC AND SHOULD NOT BE USED WITHOUT WRITTEN PERMISSION

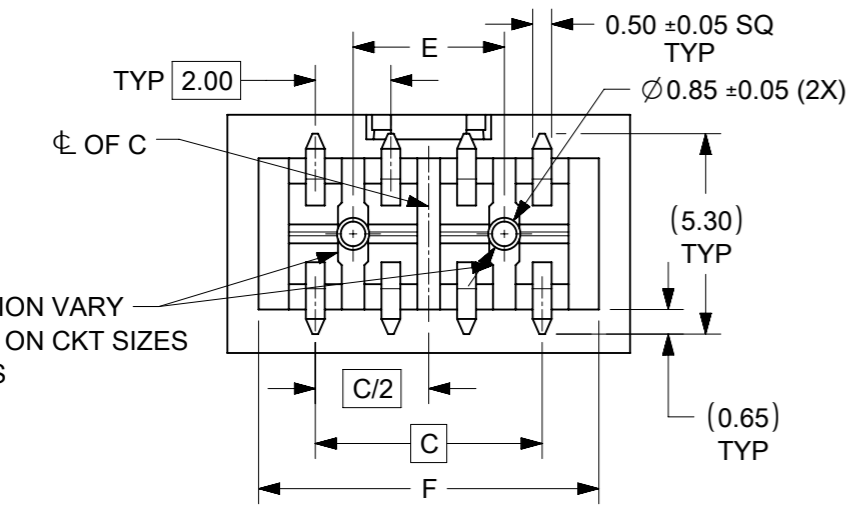
|  |               |  |      |                 |                        |            |  |                 |                |                                  |  |
|--|---------------|--|------|-----------------|------------------------|------------|--|-----------------|----------------|----------------------------------|--|
| EC NO: 721932<br>DRWN: DANUSA<br>CHKD: DANUSA<br>REV APPR: MIRAMAKRISHNA | 2022/07/25    | GENERAL TOLERANCES (UNLESS SPECIFIED)                |      | DIMENSION UNITS | SCALE                  |            |  |                 |                |                                  |  |
|  | 2022/09/20    | MM   | INCH | MM              | NTS                    |            |  |                 |                |                                  |  |
|  | 2022/09/20    | 4 PLACES ±   | ±    | ±               | DRWN BY                | DATE       | MILLIGRID<br>2MM PITCH, SMT VERTICAL SHROUDED HEADER |                 |                |                                  |  |
|  | MIRAMAKRISHNA | 3 PLACES ±   | ±    | ±               | GMENARLY               | 2015/05/22 |  |                 |                |                                  |  |
|  | A21           | 2 PLACES ± 0.2                                       | ±    | ±               | CHK'D BY               | DATE       | PRODUCT CUSTOMER DRAWING                             |                 |                |                                  |  |
|  | REV           | 1 PLACES ±   | ±    | ±               | CGOH                   | 2015/09/21 |  |                 |                |                                  |  |
|  |               | 0 PLACES ±   | ±    | ±               | APPR BY                | DATE       | SERIES   | MATERIAL NUMBER | CUSTOMER       | DOCUMENT NUMBER<br>SD-87832-0001 |  |
|  |               | ANGULAR TOL = 3.0                                    | ±    | ±               | KHLIM                  | 2015/09/22 | 87832  | SEE TABLE       | GENERAL MARKET |                                  |  |
|  |               | DRAFT WHERE APPLICABLE MUST REMAIN WITHIN DIMENSIONS |      | DRAWING SIZE    | THIRD ANGLE PROJECTION | DOC TYPE   |  | DOC PART        | SHEET NUMBER   | 5 OF 13                          |  |
|  |               |  |      | A3              |                        |            |  |                 |                |                                  |  |

|                |    |              |            |          |
|----------------|----|--------------|------------|----------|
| RELEASE STATUS | P1 | RELEASE DATE | 2022/09/20 | 09:04:31 |
|----------------|----|--------------|------------|----------|

8 TO 12 CIRCUITS



ISO VIEW OF HEADER WITH CENTER POLARIZATION AND DUAL SIDE SLOTS



VIEW FOR HEADER WITH CAP



RECOMMENDED PCB LAYOUT

- NOTES:
- MATERIALS:  
HOUSING & CAP: 30% GF, NYLON, UL94V-0, COLOR: BLACK  
PIN: 0.50mm SQ. PHOSPHOR BRONZE
  - FINISHES: REFER TO PLATING OPTIONS
  - PRODUCT SPECIFICATION: PS-87831-027
  - PACKAGING SPECIFICATION: SEE PACKAGING SPECS TABLE ON SHEET 12
  - MATES WITH: A. MOLEX CRIMP RECEPTACLE HOUSING: 51110 SERIES AND CRIMP TERMINAL: 50394 SERIES  
B. MOLEX 2mm MILLIGRID DUAL ROW IDT: 87568 SERIES  
C. MOLEX 2mm MILLIGRID DUAL ROW RECEPTACLE: 79107 (GOLD PLATED), 78787 (TIN PLATED)
  - COPLANARITY IS TO BE MEASURED BY RESTING THE SOLDER TAIL ON A GAUGE SURFACE
  - BEND DEPRESSION ON SMT TAIL IS ACCEPTABLE SO LONG AS IT DOES NOT AFFECT THE OVERALL COPLANARITY
  - TOP SURFACE OF CAP TO BE FLAT FOR THE PURPOSE OF PICK & PLACE BY VACUUM SUCTION NOZZLE

THIS DRAWING CONTAINS INFORMATION THAT IS PROPRIETARY TO MOLEX ELECTRONIC TECHNOLOGIES, LLC AND SHOULD NOT BE USED WITHOUT WRITTEN PERMISSION

|   |            |                                       |      |  |              |               |                          |                 |                 |                |              |
|---|------------|---------------------------------------|------|--|--------------|---------------|--------------------------|-----------------|-----------------|----------------|--------------|
| EC NO: 721932<br>DRWN: DANUSA<br>CHK'D: DANUSA<br>REV APPR: MIRAMAKRISHNA | 2022/07/25 | GENERAL TOLERANCES (UNLESS SPECIFIED) |      | DIMENSION UNITS                                      |              | SCALE         |                          |                 |                 |                |              |
|   | 2022/09/20 | MM                                    | INCH | MM   | NTS          | DRWN BY DATE  |                          |                 |                 |                |              |
|   | 2022/09/20 | 4 PLACES ±                            | ±    | GMENARLY   | 2015/05/22   | CHK'D BY DATE |                          |                 |                 |                |              |
|   |            | 3 PLACES ±                            | ±    | CGOH   | 2015/09/21   | APPR BY DATE  |                          |                 |                 |                |              |
|   |            | 2 PLACES ±                            | 0.2  | ±  | KHLIM        | 2015/09/22    | PRODUCT CUSTOMER DRAWING |                 |                 |                |              |
|   |            | 1 PLACES ±                            | ±    | ±  | DRAWING SIZE |               | THIRD ANGLE PROJECTION   | SERIES          | MATERIAL NUMBER | CUSTOMER       |              |
|   |            | 0 PLACES ±                            | ±    | ±  | A3           |               |                          | 87832           | SEE TABLE       | GENERAL MARKET |              |
|   |            | ANGULAR TOL = 3.0                     |      | DRAFT WHERE APPLICABLE MUST REMAIN WITHIN DIMENSIONS |              |               |                          | DOCUMENT NUMBER | DOC TYPE        | DOC PART       | SHEET NUMBER |
|   |            |                                       |      |  |              |               |                          | SD-87832-0001   | PSD             | 001            | 6 OF 13      |


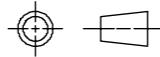
8 TO 12 CIRCUITS

| CKT SIZE   | ASSY P/N WITHOUT CAP IN TUBE | ASSY P/N WITH CAP IN TUBE | ASSY P/N WITH CAP IN T&R | ASSY P/N WITHOUT CAP IN T&R | T&R OPTIONS (SEE SHEET 12) | PLATING OPTIONS | FRICTION LOCKS |           | DUAL SIDE SLOTS | CENTER POLARIZATION | PEGS | DIMENSION |       |       |     |      |       |            |           |
|------------|------------------------------|---------------------------|--------------------------|-----------------------------|----------------------------|-----------------|----------------|-----------|-----------------|---------------------|------|-----------|-------|-------|-----|------|-------|------------|-----------|
|            |                              |                           |                          |                             |                            |                 | DUAL           | CENTER    |                 |                     |      | A         | B     | C     | D   | E    | F     | G (COPLAN) | H         |
| 8          | 87832-0860                   | 87832-0862                | 87832-5362               |                             | 1                          | 1               | N.A            | N.A       | YES             | YES                 | YES  | 10.65     | 8.85  | 6.00  | N.A | 4.00 | 9.00  | 0.10       | 3.60±0.20 |
|            | 87832-0820                   | 87832-0822                | 87832-5322               |                             | 1                          | 2               |                |           |                 |                     |      |           |       |       |     |      |       | 0.10       | 3.60±0.20 |
|            | 87832-0821                   | 87832-0823                | 87832-5323               |                             | 1                          | 3               |                |           |                 |                     |      |           |       |       |     |      |       | 0.10       | 3.60±0.15 |
|            | 87832-0870                   | 87832-0872                | 87832-5372               |                             | 1                          | 4               | N.A            | N.A       | YES             | YES                 | N.A  |           |       |       |     |      |       | 0.10       | 3.60±0.20 |
|            | 87832-0812                   | 87832-0816                | 87832-0814               |                             | 1                          | 2               | N.A            | YES       | YES             | N.A                 | N.A  |           |       |       |     |      |       | 0.10       | 3.60±0.20 |
|            | 87832-0824                   | 87832-0826                | 87832-0828               |                             | 1                          | 2               | N.A            | YES       | YES             | N.A                 | N.A  |           |       |       |     |      |       | 0.10       | 3.60±0.15 |
|            | 87832-0825                   | 87832-0827                | 87832-0829               |                             | 1                          | 3               | N.A            | YES       | YES             | N.A                 | YES  |           |       |       |     |      |       | 0.10       | 3.60±0.20 |
|            | 87832-0810                   | 87832-0808                | 87832-0806               |                             | 1                          | 2               | N.A            | YES       | YES             | N.A                 | YES  |           |       |       |     |      |       | 0.10       | 3.60±0.20 |
|            | 87832-0811                   | 87832-0809                | 87832-0807               |                             | 1                          | 3               | N.A            | YES       | YES             | N.A                 | YES  |           |       |       |     |      |       | 0.10       | 3.60±0.20 |
| 87832-0804 | N.A                          | N.A                       |                          | N.A                         | 2                          | N.A             | YES            | YES       | N.A             | YES                 | 0.10 | 3.60±0.20 |       |       |     |      |       |            |           |
| 10         | 87832-1060                   | 87832-1062                | 87832-5462               |                             | 1                          | 1               | N.A            | N.A       | YES             | YES                 | YES  | 12.65     | 10.85 | 8.00  | N.A | 6.00 | 11.00 | 0.10       | 3.60±0.20 |
|            | 87832-1020                   | 87832-1022                | 87832-5422               | 87832-5430                  | 1                          | 2               |                |           |                 |                     |      |           |       |       |     |      |       | 0.10       | 3.60±0.20 |
|            | 87832-1021                   | 87832-1023                | 87832-5423               |                             | 1                          | 3               |                |           |                 |                     |      |           |       |       |     |      |       | 0.10       | 3.60±0.20 |
|            |                              |                           | 87832-9423               |                             | 2                          |                 | 0.10           | 3.60±0.15 |                 |                     |      |           |       |       |     |      |       |            |           |
|            | 87832-1070                   | 87832-1072                | 87832-5472               |                             | 1                          | 4               | N.A            | N.A       | YES             | YES                 | N.A  |           |       |       |     |      |       | 0.10       | 3.60±0.20 |
|            | 87832-1012                   | 87832-1016                | 87832-1014               |                             | 1                          | 2               | N.A            | YES       | YES             | N.A                 | YES  |           |       |       |     |      |       | 0.10       | 3.60±0.20 |
|            | 87832-1019                   | 87832-1045                | 87832-1035               |                             | 1                          | 1               | N.A            | YES       | YES             | N.A                 | YES  |           |       |       |     |      |       | 0.10       | 3.60±0.20 |
|            | 87832-1024                   | 87832-1026                | 87832-1028               |                             | 1                          | 2               | N.A            | YES       | YES             | N.A                 | N.A  |           |       |       |     |      |       | 0.10       | 3.60±0.15 |
|            | N.A                          | N.A                       | 87832-1055               |                             | 1                          | 1               | N.A            | YES       | YES             | N.A                 | YES  |           |       |       |     |      |       | 0.10       | 3.60±0.20 |
|            | 87832-1025                   | 87832-1027                | 87832-1029               |                             | 1                          | 3               | N.A            | YES       | YES             | N.A                 | YES  |           |       |       |     |      |       | 0.10       | 3.60±0.20 |
| 87832-1010 | 87832-1008                   | 87832-1006                |                          | 1                           | 2                          | N.A             | YES            | YES       | N.A             | YES                 | 0.10 | 3.60±0.20 |       |       |     |      |       |            |           |
| 87832-1011 | 87832-1009                   | 87832-1007                |                          | 1                           | 3                          | N.A             | YES            | YES       | N.A             | YES                 | 0.10 | 3.60±0.20 |       |       |     |      |       |            |           |
| 87832-1004 | N.A                          | N.A                       |                          | N.A                         | 2                          | N.A             | YES            | YES       | N.A             | YES                 | 0.10 | 3.60±0.20 |       |       |     |      |       |            |           |
| 12         | 87832-1260                   | 87832-1262                | 87832-5562               |                             | 1                          | 1               | N.A            | N.A       | YES             | YES                 | YES  | 14.65     | 12.85 | 10.00 | N.A | 8.00 | 13.00 | 0.10       | 3.60±0.20 |
|            | 87832-1220                   | 87832-1222                | 87832-5522               |                             | 1                          | 2               |                |           |                 |                     |      |           |       |       |     |      |       | 0.10       | 3.60±0.15 |
|            | 87832-1221                   | 87832-1223                | 87832-5523               |                             | 1                          | 3               |                |           |                 |                     |      |           |       |       |     |      |       | 0.10       | 3.60±0.20 |
|            |                              |                           | 87832-9623               |                             | 2                          |                 | 0.10           | 3.60±0.20 |                 |                     |      |           |       |       |     |      |       |            |           |
|            | 87832-1270                   | 87832-1272                | 87832-5572               |                             | 1                          | 4               | N.A            | YES       | YES             | N.A                 | N.A  |           |       |       |     |      |       | 0.10       | 3.60±0.15 |
|            | 87832-1224                   | 87832-1226                | 87832-1228               |                             | 1                          | 2               | N.A            | YES       | YES             | N.A                 | YES  |           |       |       |     |      |       | 0.10       | 3.60±0.20 |
|            | 87832-1225                   | 87832-1227                | 87832-1229               |                             | 1                          | 3               | N.A            | YES       | YES             | N.A                 | YES  |           |       |       |     |      |       | 0.10       | 3.60±0.20 |
|            | 87832-1210                   | 87832-1208                | 87832-1206               |                             | 1                          | 2               | N.A            | YES       | YES             | N.A                 | YES  |           |       |       |     |      |       | 0.10       | 3.60±0.20 |
|            | 87832-1211                   | 87832-1209                | 87832-1207               |                             | 1                          | 3               | N.A            | YES       | YES             | N.A                 | YES  |           |       |       |     |      |       | 0.10       | 3.60±0.20 |
|            | 87832-1204                   | N.A                       | N.A                      |                             | N.A                        | 2               | N.A            | YES       | YES             | N.A                 | YES  |           |       |       |     |      |       | 0.10       | 3.60±0.20 |
| 87832-1212 | N.A                          | N.A                       |                          | N.A                         | 2                          | N.A             | N.A            | YES       | YES             | N.A                 | 0.10 | 3.60±0.20 |       |       |     |      |       |            |           |

PLATING OPTIONS:

- 1 - 0.05-0.13µm/2-5µin GOLD IN CONTACT AREA AND 1.88µm/75µin MIN. MATTE TIN IN SOLDER TAIL AREA OVER 1.27µm/50µin MIN. NICKEL OVERALL.
- 2 - 0.38µm/15µin MIN. GOLD IN CONTACT AREA AND 1.88µm/75µin MIN. MATTE TIN IN SOLDER TAIL AREA OVER 1.27µm/50µin MIN. NICKEL OVERALL.
- 3 - 0.76µm/30µin MIN. GOLD IN CONTACT AREA AND 1.88µm/75µin MIN. MATTE TIN IN SOLDER TAIL AREA OVER 1.27µm/50µin MIN. NICKEL OVERALL.
- 4 - 2.50µm/100µin MIN. MATTE TIN OVER 1.25µm/50µin MIN. NICKEL OVERALL.

THIS DRAWING CONTAINS INFORMATION THAT IS PROPRIETARY TO MOLEX ELECTRONIC TECHNOLOGIES, LLC AND SHOULD NOT BE USED WITHOUT WRITTEN PERMISSION

|  |  |       |                 |   |                |              |   |
|--|--|-------|-----------------|---|----------------|--------------|---|
| EC NO: 721932<br>DRWN: DANUSA<br>CHKD: DANUSA<br>REV APPR: MIRAMAKRISHNA | GENERAL TOLERANCES (UNLESS SPECIFIED)                |       | DIMENSION UNITS |   | SCALE          |              |  |
|  |  | MM    | INCH            | MM  | NTS            |              |   |
|  | 4 PLACES   | ±     | ±               | DRWN BY   | DATE           |              |   |
|  | 3 PLACES   | ±     | ±               | GMENARLY  | 2015/05/22     |              |   |
|  | 2 PLACES   | ± 0.2 | ±               | CHK'D BY  | DATE           |              |   |
|  | 1 PLACES   | ±     | ±               | CGOH  | 2015/09/21     |              |   |
|  | 0 PLACES   | ±     | ±               | APPR BY   | DATE           |              |   |
|  |  |       |                 | KHLIM   | 2015/09/22     |              |   |
|  | ANGULAR TOL = 3.0                                    |       | DRAWING SIZE    | THIRD ANGLE PROJECTION  |                |              |   |
|  | DRAFT WHERE APPLICABLE MUST REMAIN WITHIN DIMENSIONS |       | A3              |  |                |              |   |
| SERIES   |  |       | MATERIAL NUMBER |   | CUSTOMER       |              |   |
| 87832  |  |       | SEE TABLE       |   | GENERAL MARKET |              |   |
| DOCUMENT NUMBER  |  |       |                 | DOC TYPE  | DOC PART       | SHEET NUMBER |   |
| SD-87832-0001  |  |       |                 | PSD   | 001            | 7 OF 13      |   |

# 14 TO 50 CIRCUITS



- NOTES:**
- 1. MATERIALS:**  
HOUSING & CAP: 30% GF, NYLON, UL94V-0, COLOR: BLACK  
PIN: 0.50mm SQ. PHOSPHOR BRONZE
  - 2. FINISHES:** REFER TO PLATING OPTIONS
  - 3. PRODUCT SPECIFICATION:** PS-87831-027
  - 4. PACKAGING SPECIFICATION:** SEE PACKAGING SPECS TABLE ON SHEET 12
  - 5. MATES WITH:** A. MOLEX CRIMP RECEPTACLE HOUSING: 51110 SERIES AND CRIMP TERMINAL: 50394 SERIES  
B. MOLEX 2mm MILLIGRID DUAL ROW IDT: 87568 SERIES  
C. MOLEX 2mm MILLIGRID DUAL ROW RECEPTACLE: 79107 (GOLD PLATED), 78787 (TIN PLATED)
  - 6. COPLANARITY IS TO BE MEASURED BY RESTING THE SOLDER TAIL ON A GAUGE SURFACE**
  - 7. BEND DEPRESSION ON SMT TAIL IS ACCEPTABLE SO LONG AS IT DOES NOT AFFECT THE OVERALL COPLANARITY**
  - 8. TOP SURFACE OF CAP TO BE FLAT FOR THE PURPOSE OF PICK & PLACE BY VACUUM SUCTION NOZZLE**

THIS DRAWING CONTAINS INFORMATION THAT IS PROPRIETARY TO MOLEX ELECTRONIC TECHNOLOGIES, LLC AND SHOULD NOT BE USED WITHOUT WRITTEN PERMISSION

|   |            |  |                 |     |  |  |   |
|---|------------|--|-----------------|-----|--|--|---|
| EC NO: 721932<br>DRWN: DANUSA<br>CHK'D: DANUSA<br>APPR: MIRAMAKRISHNA | 2022/07/25 | GENERAL TOLERANCES (UNLESS SPECIFIED)<br>MM    INCH<br>4 PLACES ±    ±<br>3 PLACES ±    ±<br>2 PLACES ± 0.2 ±<br>1 PLACES ±    ±<br>0 PLACES ±    ±<br>ANGULAR TOL = 3.0<br>DRAFT WHERE APPLICABLE MUST REMAIN WITHIN DIMENSIONS | DIMENSION UNITS |     | SCALE                                  |  |   |
|   | 2022/09/20 |  | MM              | NTS | DRWN BY    DATE                        |  |   |
|   | 2022/09/20 |  | MM              | NTS | GMENARLY    2015/05/22                 |  |   |
|   |            |  | MM              | NTS | CHK'D BY    DATE                       |  |   |
|   |            |  |                 |     | CGOH    2015/09/21                     |  | MILLIGRID<br>2MM PITCH, SMT VERTICAL SHROUDED HEADER<br>PRODUCT CUSTOMER DRAWING<br>SERIES: 87832    MATERIAL NUMBER: SEE TABLE    CUSTOMER: GENERAL MARKET |
|   |            |  |                 |     | APPR BY    DATE                        |  |   |
|   |            |  |                 |     | KHLIM    2015/09/22                    |  |   |
|   |            |  |                 |     | DRAWING SIZE    THIRD ANGLE PROJECTION |  |   |
| A21   | REV        |  | A3              |     |  |  | DOCUMENT NUMBER: SD-87832-0001    DOC TYPE: PSD    DOC PART: 001    SHEET NUMBER: 8 OF 13   |



14 TO 24 CIRCUITS

| CKT SIZE   | ASSY P/N WITHOUT CAP IN TUBE | ASSY P/N WITH CAP IN TUBE | ASSY P/N WITH CAP IN T&R | ASSY P/N WITHOUT CAP IN T&R | T&R OPTIONS (SEE SHEET 12) | PLATING OPTIONS | FRICTION LOCKS |        | DUAL SIDE SLOTS | CENTER POLARIZATION | PEGS | DIMENSION |       |       |       |       |       |            |           | So (T&R) |  |  |  |  |  |      |           |       |  |
|------------|------------------------------|---------------------------|--------------------------|-----------------------------|----------------------------|-----------------|----------------|--------|-----------------|---------------------|------|-----------|-------|-------|-------|-------|-------|------------|-----------|----------|--|--|--|--|--|------|-----------|-------|--|
|            |                              |                           |                          |                             |                            |                 | DUAL           | CENTER |                 |                     |      | A         | B     | C     | D     | E     | F     | G (COPLAN) | H         |          |  |  |  |  |  |      |           |       |  |
| 14         | 87832-1460                   | 87832-1462                | 87832-5662               |                             | 1                          | 1               |                |        |                 |                     |      | 16.65     | 14.85 | 12.00 | 8.00  | 10.00 | 15.00 | 0.15       | 3.60±0.20 |          |  |  |  |  |  |      |           |       |  |
|            | 87832-1420                   | 87832-1422                | 87832-5622               | 87832-5630                  | 1                          | 2               |                |        |                 |                     |      |           |       |       |       |       |       |            |           |          |  |  |  |  |  |      |           |       |  |
|            | 87832-1421                   | 87832-1423                | 87832-5623               |                             | 1                          | 3               |                |        |                 |                     |      |           |       |       |       |       |       |            |           |          |  |  |  |  |  |      |           |       |  |
|            |                              |                           | 87832-9523               |                             | 2                          |                 |                |        |                 |                     |      |           |       |       |       |       |       |            |           |          |  |  |  |  |  |      |           |       |  |
|            | 87832-1470                   | 87832-1472                | 87832-5672               |                             | 1                          | 4               |                |        |                 |                     |      |           |       |       |       |       |       |            |           |          |  |  |  |  |  |      |           |       |  |
| 87832-1412 | 87832-1416                   | 87832-1414                |                          | 1                           | 2                          | YES             | N.A            | YES    | YES             | N.A                 |      |           |       |       |       |       | 0.15  | 3.60±0.20  |           |          |  |  |  |  |  |      |           |       |  |
| 16         | 87832-1660                   | 87832-1662                | 87832-5762               |                             | 1                          | 1               |                |        |                 |                     |      | 18.65     | 16.85 | 14.00 | 10.00 | 12.00 | 17.00 | 0.15       | 3.60±0.20 |          |  |  |  |  |  |      |           |       |  |
|            | 87832-1620                   | 87832-1622                | 87832-5722               |                             | 1                          | 2               |                |        |                 |                     |      |           |       |       |       |       |       |            |           |          |  |  |  |  |  |      |           |       |  |
|            | 87832-1621                   | 87832-1623                | 87832-5723               |                             | 1                          | 3               |                |        |                 |                     |      |           |       |       |       |       |       |            |           |          |  |  |  |  |  |      |           |       |  |
|            | 87832-1670                   | 87832-1672                | 87832-5772               | 87832-5730                  | 1                          | 4               |                |        |                 |                     |      |           |       |       |       |       |       |            |           |          |  |  |  |  |  |      |           |       |  |
|            | 87832-1612                   | 87832-1616                | 87832-1614               |                             | 1                          | 2               | YES            | N.A    | YES             | YES                 | N.A  |           |       |       |       |       |       |            |           |          |  |  |  |  |  | 0.15 | 3.60±0.20 | 28.40 |  |
|            | 87832-1619                   | 87832-1645                | 87832-1635               |                             | 1                          | 1               |                |        |                 |                     |      |           |       |       |       |       |       |            |           |          |  |  |  |  |  |      |           |       |  |
| 18         | 87832-1860                   | 87832-1862                | 87832-5862               |                             | 1                          | 1               |                |        |                 |                     |      | 20.65     | 18.85 | 16.00 | 12.00 | 14.00 | 19.00 | 0.15       | 3.60±0.20 |          |  |  |  |  |  |      |           |       |  |
|            | 87832-1820                   | 87832-1822                | 87832-5822               | 87832-5830                  | 1                          | 2               |                |        |                 |                     |      |           |       |       |       |       |       |            |           |          |  |  |  |  |  |      |           |       |  |
|            | 87832-1821                   | 87832-1823                | 87832-5823               |                             | 1                          | 3               |                |        |                 |                     |      |           |       |       |       |       |       |            |           |          |  |  |  |  |  |      |           |       |  |
|            | 87832-1870                   | 87832-1872                | 87832-5872               |                             | 1                          | 4               |                |        |                 |                     |      |           |       |       |       |       |       |            |           |          |  |  |  |  |  |      |           |       |  |
|            | 87832-1812                   | 87832-1816                | 87832-1814               |                             | 3                          | 2               | YES            | N.A    | YES             | YES                 | N.A  |           |       |       |       |       |       |            |           |          |  |  |  |  |  | 0.15 | 3.60±0.20 |       |  |
|            | 87832-1813                   | 87832-1817                | 87832-1815               |                             | 3                          | 3               | YES            | N.A    | YES             | YES                 | N.A  |           |       |       |       |       |       |            |           |          |  |  |  |  |  | 0.15 | 3.60±0.20 |       |  |
| 20         | 87832-2060                   | 87832-2062                | 87832-5962               |                             | 1                          | 1               |                |        |                 |                     |      | 22.65     | 20.85 | 18.00 | 14.00 | 16.00 | 21.00 | 0.15       | 3.60±0.20 |          |  |  |  |  |  |      |           |       |  |
|            | 87832-2020                   | 87832-2022                | 87832-5922               | 87832-5930                  | 1                          | 2               |                |        |                 |                     |      |           |       |       |       |       |       |            |           |          |  |  |  |  |  |      |           |       |  |
|            | 87832-2021                   | 87832-2023                | 87832-5923               |                             | 1                          | 3               | YES            | N.A    | YES             | YES                 | YES  |           |       |       |       |       |       |            |           |          |  |  |  |  |  |      |           |       |  |
|            | 87832-2070                   | 87832-2072                | 87832-5972               |                             | 1                          | 4               |                |        |                 |                     |      |           |       |       |       |       |       |            |           |          |  |  |  |  |  |      |           |       |  |
|            |                              |                           | 87832-9672               |                             | 2                          |                 |                |        |                 |                     |      |           |       |       |       |       |       |            |           |          |  |  |  |  |  |      |           |       |  |
| 87832-2012 | 87832-2016                   | 87832-2014                |                          | 1                           | 2                          | YES             | N.A            | YES    | YES             | N.A                 |      |           |       |       |       |       | 0.15  | 3.60±0.20  | 40.40     |          |  |  |  |  |  |      |           |       |  |
| 22         | 87832-2260                   | 87832-2262                | 87832-6062               |                             | 1                          | 1               |                |        |                 |                     |      | 24.65     | 22.85 | 20.00 | 16.00 | 18.00 | 23.00 | 0.15       | 3.60±0.20 |          |  |  |  |  |  |      |           |       |  |
|            | 87832-2220                   | 87832-2222                | 87832-6022               | 87832-6030                  | 1                          | 2               |                |        |                 |                     |      |           |       |       |       |       |       |            |           |          |  |  |  |  |  |      |           |       |  |
|            | 87832-2221                   | 87832-2223                | 87832-6023               | A21 87832-6031              | 1                          | 3               | YES            | N.A    | YES             | YES                 | YES  |           |       |       |       |       |       |            |           |          |  |  |  |  |  |      |           |       |  |
|            | 87832-2270                   | 87832-2272                | 87832-6072               |                             | 1                          | 4               |                |        |                 |                     |      |           |       |       |       |       |       |            |           |          |  |  |  |  |  |      |           |       |  |
| 24         | 87832-2460                   | 87832-2462                | 87832-6162               |                             | 1                          | 1               |                |        |                 |                     |      | 26.65     | 24.85 | 22.00 | 18.00 | 20.00 | 25.00 | 0.15       | 3.60±0.20 |          |  |  |  |  |  |      |           |       |  |
|            | 87832-2420                   | 87832-2422                | 87832-6122               | 87832-6130                  | 1                          | 2               |                |        |                 |                     |      |           |       |       |       |       |       |            |           |          |  |  |  |  |  |      |           |       |  |
|            | 87832-2421                   | 87832-2423                | 87832-6123               |                             | 1                          | 3               | YES            | N.A    | YES             | YES                 | YES  |           |       |       |       |       |       |            |           |          |  |  |  |  |  |      |           |       |  |
|            | 87832-2470                   | 87832-2472                | 87832-6172               |                             | 1                          | 4               |                |        |                 |                     |      |           |       |       |       |       |       |            |           |          |  |  |  |  |  |      |           |       |  |
|            | 87832-2412                   | 87832-2416                | 87832-2414               |                             | 1                          | 2               | YES            | N.A    | YES             | YES                 | N.A  |           |       |       |       |       |       |            |           |          |  |  |  |  |  | 0.15 | 3.60±0.20 |       |  |

PLATING OPTIONS:

- 1 - 0.05-0.13µm/2-5µin GOLD IN CONTACT AREA AND 1.88µm/75µin MIN. MATTE TIN IN SOLDER TAIL AREA OVER 1.27µm/50µin MIN. NICKEL OVERALL.
- 2 - 0.38µm/15µin MIN. GOLD IN CONTACT AREA AND 1.88µm/75µin MIN. MATTE TIN IN SOLDER TAIL AREA OVER 1.27µm/50µin MIN. NICKEL OVERALL.
- 3 - 0.76µm/30µin MIN. GOLD IN CONTACT AREA AND 1.88µm/75µin MIN. MATTE TIN IN SOLDER TAIL AREA OVER 1.27µm/50µin MIN. NICKEL OVERALL.
- 4 - 2.50µm/100µin MIN. MATTE TIN OVER 1.25µm/50µin MIN. NICKEL OVERALL.

THIS DRAWING CONTAINS INFORMATION THAT IS PROPRIETARY TO MOLEX ELECTRONIC TECHNOLOGIES, LLC AND SHOULD NOT BE USED WITHOUT WRITTEN PERMISSION

|  |            |  |                 |              |                        |                          |  |                |          |              |
|--|------------|--|-----------------|--------------|------------------------|--------------------------|--|----------------|----------|--------------|
| EC NO: 721932<br>DRWN: DANUSA<br>CHKD: DANUSA<br>REV APPR: MIRAMAKRISHNA | 2022/07/25 | GENERAL TOLERANCES (UNLESS SPECIFIED)                | DIMENSION UNITS |              | SCALE                  |                          | <b>molex</b><br>MILLIGRID<br>2MM PITCH, SMT VERTICAL SHROUDED HEADER |                |          |              |
|  | 2022/09/20 |  | MM              | INCH         | MM                     | NTS                      |  |                |          |              |
|  | 2022/09/20 |  | 4 PLACES ±      | ±            | DRWN BY                | DATE                     |  |                |          |              |
|  |            |  | 3 PLACES ±      | ±            | GMENARLY               | 2015/05/22               |  |                |          |              |
|  |            | 2 PLACES ± 0.2                                       | ±               | CHK'D BY     | DATE                   | PRODUCT CUSTOMER DRAWING |  |                |          |              |
|  |            | 1 PLACES ±   | ±               | CGOH         | 2015/09/21             |                          |  |                |          |              |
|  |            | 0 PLACES ±   | ±               | APPR BY      | DATE                   |                          |  |                |          |              |
|  |            |  |                 | KHLIM        | 2015/09/22             |                          |  |                |          |              |
|  |            | ANGULAR TOL = 3.0                                    |                 | DRAWING SIZE | THIRD ANGLE PROJECTION | SERIES                   | MATERIAL NUMBER  | CUSTOMER       |          |              |
|  |            | DRAFT WHERE APPLICABLE MUST REMAIN WITHIN DIMENSIONS |                 | A3           |                        | 87832                    | SEE TABLE  | GENERAL MARKET |          |              |
|  |            |  |                 |              |                        | DOCUMENT NUMBER          |  | DOC TYPE       | DOC PART | SHEET NUMBER |
|  |            |  |                 |              |                        | SD-87832-0001            |  | PSD            | 001      | 9 OF 13      |


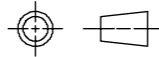
26 TO 38 CIRCUITS

| CKT SIZE | ASSY P/N WITHOUT CAP IN TUBE | ASSY P/N WITH CAP IN TUBE | ASSY P/N WITH CAP IN T&R | ASSY P/N WITHOUT CAP IN T&R | T&R OPTIONS (SEE SHEET 12) | PLATING OPTIONS | FRICTION LOCKS |        | DUAL SIDE SLOTS | CENTER POLARIZATION | PEGS | DIMENSION |       |       |       |       |       |            |           |     |     |     |  |  |  |  |  |      |           |           |
|----------|------------------------------|---------------------------|--------------------------|-----------------------------|----------------------------|-----------------|----------------|--------|-----------------|---------------------|------|-----------|-------|-------|-------|-------|-------|------------|-----------|-----|-----|-----|--|--|--|--|--|------|-----------|-----------|
|          |                              |                           |                          |                             |                            |                 | DUAL           | CENTER |                 |                     |      | A         | B     | C     | D     | E     | F     | G (COPLAN) | H         |     |     |     |  |  |  |  |  |      |           |           |
| E<br>26  | 87832-2660                   | 87832-2662                | 87832-6262               |                             | 1                          | 1               | YES            | N.A    | YES             | YES                 | YES  | 28.65     | 26.85 | 24.00 | 20.00 | 22.00 | 27.00 | 0.15       | 3.60±0.20 |     |     |     |  |  |  |  |  |      |           |           |
|          | 87832-2620                   | 87832-2622                | 87832-6222               |                             | 1                          | 2               |                |        |                 |                     |      |           |       |       |       |       |       |            |           |     |     |     |  |  |  |  |  |      |           |           |
|          | 87832-2621                   | 87832-2623                | 87832-6223               |                             | 1                          | 3               |                |        |                 |                     |      |           |       |       |       |       |       |            |           |     |     |     |  |  |  |  |  |      |           |           |
|          | 87832-2670                   | 87832-2672                | 87832-6272               |                             | 1                          | 4               |                |        |                 |                     |      |           |       |       |       |       |       | YES        | N.A       | YES | YES | N.A |  |  |  |  |  |      | 0.15      | 3.60±0.20 |
|          | 87832-2612                   | 87832-2616                | N.A                      |                             | N.A                        | 2               |                |        |                 |                     |      |           |       |       |       |       |       |            |           |     |     |     |  |  |  |  |  |      |           |           |
|          | 87832-2619                   | 87832-2645                | 87832-2635               |                             | 1                          | 1               |                |        |                 |                     |      |           |       |       |       |       |       |            |           |     |     |     |  |  |  |  |  |      |           |           |
| D<br>28  | 87832-2860                   | 87832-2862                | 87832-6362               |                             | 1                          | 1               | YES            | N.A    | YES             | YES                 | YES  | 30.65     | 28.85 | 26.00 | 22.00 | 24.00 | 29.00 | 0.15       | 3.60±0.20 |     |     |     |  |  |  |  |  |      |           |           |
|          | 87832-2820                   | 87832-2822                | 87832-6322               |                             | 1                          | 2               |                |        |                 |                     |      |           |       |       |       |       |       |            |           |     |     |     |  |  |  |  |  |      |           |           |
|          | 87832-2821                   | 87832-2823                | 87832-6323               |                             | 1                          | 3               |                |        |                 |                     |      |           |       |       |       |       |       |            |           |     |     |     |  |  |  |  |  |      |           |           |
|          | 87832-2870                   | 87832-2872                | 87832-6372               |                             | 1                          | 4               |                |        |                 |                     |      |           |       |       |       |       |       | YES        | N.A       | YES | YES | N.A |  |  |  |  |  |      | 0.15      | 3.60±0.20 |
|          | N.A                          | 87832-2816                | N.A                      |                             | 1                          | 2               |                |        |                 |                     |      |           |       |       |       |       |       |            |           |     |     |     |  |  |  |  |  |      |           |           |
|          | N.A                          | 87832-2819                | N.A                      |                             | 1                          | 1               |                |        |                 |                     |      |           |       |       |       |       |       |            |           |     |     |     |  |  |  |  |  |      |           |           |
| D<br>30  | 87832-3060                   | 87832-3062                | 87832-6462               |                             | 1                          | 1               | YES            | N.A    | YES             | YES                 | YES  | 32.65     | 30.85 | 28.00 | 24.00 | 26.00 | 31.00 | 0.15       | 3.60±0.20 |     |     |     |  |  |  |  |  |      |           |           |
|          | 87832-3020                   | 87832-3022                | 87832-6422               |                             | 1                          | 2               |                |        |                 |                     |      |           |       |       |       |       |       |            |           |     |     |     |  |  |  |  |  |      |           |           |
|          | 87832-3021                   | 87832-3023                | 87832-6423               |                             | 1                          | 3               |                |        |                 |                     |      |           |       |       |       |       |       |            |           |     |     |     |  |  |  |  |  |      |           |           |
|          | 87832-3070                   | 87832-3072                | 87832-6472               |                             | 1                          | 4               |                |        |                 |                     |      |           |       |       |       |       |       | YES        | N.A       | YES | YES | N.A |  |  |  |  |  |      | 0.15      | 3.60±0.20 |
|          | 87832-3012                   | 87832-3016                | 87832-3014               |                             | 3                          | 2               |                |        |                 |                     |      |           |       |       |       |       |       |            |           |     |     |     |  |  |  |  |  |      |           |           |
|          |                              |                           |                          |                             |                            |                 |                |        |                 |                     |      |           |       |       |       |       |       |            |           |     |     |     |  |  |  |  |  |      |           |           |
| C<br>32  | 87832-3260                   | 87832-3262                | 87832-6562               |                             | 1                          | 1               | YES            | N.A    | YES             | YES                 | YES  | 34.65     | 32.85 | 30.00 | 26.00 | 28.00 | 33.00 | 0.15       | 3.60±0.20 |     |     |     |  |  |  |  |  |      |           |           |
|          | 87832-3220                   | 87832-3222                | 87832-6522               |                             | 1                          | 2               |                |        |                 |                     |      |           |       |       |       |       |       |            |           |     |     |     |  |  |  |  |  |      |           |           |
|          | 87832-3221                   | 87832-3223                | 87832-6523               |                             | 1                          | 3               |                |        |                 |                     |      |           |       |       |       |       |       |            |           |     |     |     |  |  |  |  |  |      |           |           |
|          | 87832-3270                   | 87832-3272                | 87832-6572               |                             | 1                          | 4               |                |        |                 |                     |      |           |       |       |       |       |       |            |           |     |     |     |  |  |  |  |  |      |           |           |
| C<br>34  | 87832-3460                   | 87832-3462                | 87832-6662               | 87832-6630                  | 1                          | 1               | YES            | N.A    | YES             | YES                 | YES  | 36.65     | 34.85 | 32.00 | 28.00 | 30.00 | 35.00 | 0.15       | 3.60±0.20 |     |     |     |  |  |  |  |  |      |           |           |
|          | 87832-3420                   | 87832-3422                | 87832-6622               |                             | 1                          | 2               |                |        |                 |                     |      |           |       |       |       |       |       |            |           |     |     |     |  |  |  |  |  |      |           |           |
|          | 87832-3421                   | 87832-3423                | 87832-6623               |                             | 1                          | 3               |                |        |                 |                     |      |           |       |       |       |       |       |            |           |     |     |     |  |  |  |  |  |      |           |           |
|          | 87832-3470                   | 87832-3472                | 87832-6672               |                             | 1                          | 4               |                |        |                 |                     |      |           |       |       |       |       |       | YES        | N.A       | YES | YES | N.A |  |  |  |  |  | 0.15 | 3.60±0.20 |           |
|          | 87832-3412                   | 87832-3416                | 87832-3414               |                             | 3                          | 2               |                |        |                 |                     |      |           |       |       |       |       |       |            |           |     |     |     |  |  |  |  |  |      |           |           |
|          | 87832-3419                   | 87832-3445                | 87832-3435               |                             | 3                          | 1               |                |        |                 |                     |      |           |       |       |       |       |       |            |           |     |     |     |  |  |  |  |  |      |           |           |
| B<br>36  | 87832-3660                   | 87832-3662                | N.A                      |                             | N.A                        | 1               | YES            | N.A    | YES             | YES                 | YES  | 38.65     | 36.85 | 34.00 | 30.00 | 32.00 | 37.00 | 0.15       | 3.60±0.20 |     |     |     |  |  |  |  |  |      |           |           |
|          | 87832-3620                   | 87832-3622                | N.A                      |                             | N.A                        | 2               |                |        |                 |                     |      |           |       |       |       |       |       |            |           |     |     |     |  |  |  |  |  |      |           |           |
|          | 87832-3621                   | 87832-3623                | 87832-3673               |                             | N.A                        | 3               |                |        |                 |                     |      |           |       |       |       |       |       |            |           |     |     |     |  |  |  |  |  |      |           |           |
|          | 87832-3670                   | 87832-3672                | N.A                      |                             | N.A                        | 4               |                |        |                 |                     |      |           |       |       |       |       |       |            |           |     |     |     |  |  |  |  |  |      |           |           |
| B<br>38  | 87832-3860                   | 87832-3862                | N.A                      |                             | N.A                        | 1               | YES            | N.A    | YES             | YES                 | YES  | 40.65     | 38.85 | 36.00 | 32.00 | 34.00 | 39.00 | 0.15       | 3.60±0.20 |     |     |     |  |  |  |  |  |      |           |           |
|          | 87832-3820                   | 87832-3822                | 87832-6822               |                             | N.A                        | 2               |                |        |                 |                     |      |           |       |       |       |       |       |            |           |     |     |     |  |  |  |  |  |      |           |           |
|          | 87832-3821                   | 87832-3823                | 87832-3874               |                             | N.A                        | 3               |                |        |                 |                     |      |           |       |       |       |       |       |            |           |     |     |     |  |  |  |  |  |      |           |           |
|          | 87832-3870                   | 87832-3872                | N.A                      |                             | N.A                        | 4               |                |        |                 |                     |      |           |       |       |       |       |       |            |           |     |     |     |  |  |  |  |  |      |           |           |

PLATING OPTIONS:

- 0.05-0.13µm/2-5µin GOLD IN CONTACT AREA AND 1.88µm/75µin MIN. MATTE TIN IN SOLDER TAIL AREA OVER 1.27µm/50µin MIN. NICKEL OVERALL.
- 0.38µm/15µin MIN. GOLD IN CONTACT AREA AND 1.88µm/75µin MIN. MATTE TIN IN SOLDER TAIL AREA OVER 1.27µm/50µin MIN. NICKEL OVERALL.
- 0.76µm/30µin MIN. GOLD IN CONTACT AREA AND 1.88µm/75µin MIN. MATTE TIN IN SOLDER TAIL AREA OVER 1.27µm/50µin MIN. NICKEL OVERALL.
- 2.50µm/100µin MIN. MATTE TIN OVER 1.25µm/50µin MIN. NICKEL OVERALL.

THIS DRAWING CONTAINS INFORMATION THAT IS PROPRIETARY TO MOLEX ELECTRONIC TECHNOLOGIES, LLC AND SHOULD NOT BE USED WITHOUT WRITTEN PERMISSION

|  |            |  |              |   |            |       |  |   |  |  |  |
|--|------------|--|--------------|---|------------|-------|--|---|--|--|--|
| EC NO: 721932<br>DRWN: DANUSA<br>CHK'D: DANUSA<br>REV APPR: MRAMAKRISHNA | 2022/07/25 | GENERAL TOLERANCES (UNLESS SPECIFIED)                |              | DIMENSION UNITS   |            | SCALE |  | <br>MILLIGRID<br>2MM PITCH, SMT VERTICAL SHROUDED HEADER<br>PRODUCT CUSTOMER DRAWING<br>SERIES: 87832 MATERIAL NUMBER: SEE TABLE CUSTOMER: GENERAL MARKET<br>DOCUMENT NUMBER: SD-87832-0001 DOC TYPE: PSD DOC PART: 001 SHEET NUMBER: 10 OF 13 |  |  |  |
|  | 2022/09/20 | MM   | INCH         | MM  | NTS        |       |  |   |  |  |  |
|  | 2022/09/20 | DRWN BY  | DATE         | GMENARLY  | 2015/05/22 |       |  |   |  |  |  |
|  |            | CHK'D BY   | DATE         | CGOH  | 2015/09/21 |       |  |   |  |  |  |
|  | APPR BY    | DATE   | KHLIM        | 2015/09/22  |            |       |  |   |  |  |  |
|  |            | ANGULAR TOL = 3.0                                    | DRAWING SIZE | THIRD ANGLE PROJECTION  |            |       |  |   |  |  |  |
|  |            | DRAFT WHERE APPLICABLE MUST REMAIN WITHIN DIMENSIONS | A3           |  |            |       |  |   |  |  |  |

|                |    |              |            |          |
|----------------|----|--------------|------------|----------|
| RELEASE STATUS | P1 | RELEASE DATE | 2022/09/20 | 09:04:31 |
|----------------|----|--------------|------------|----------|

## 40 TO 50 CIRCUITS

| CKT SIZE | ASSY P/N WITHOUT CAP IN TUBE | ASSY P/N WITH CAP IN TUBE | ASSY P/N WITH CAP IN T&R | ASSY P/N WITHOUT CAP IN T&R | T&R OPTIONS (SEE SHEET 12) | PLATING OPTIONS | FRICTION LOCKS |        | DUAL SIDE SLOTS | CENTER POLARIZATION | PEGS  | DIMENSION |       |       |       |       |       |            |           |
|----------|------------------------------|---------------------------|--------------------------|-----------------------------|----------------------------|-----------------|----------------|--------|-----------------|---------------------|-------|-----------|-------|-------|-------|-------|-------|------------|-----------|
|          |                              |                           |                          |                             |                            |                 | DUAL           | CENTER |                 |                     |       | A         | B     | C     | D     | E     | F     | G (COPLAN) | H         |
| 40       | 87832-4060                   | 87832-4062                | 87832-6962               |                             | 1                          | 1               |                |        |                 |                     |       | 42.65     | 40.85 | 38.00 | 34.00 | 36.00 | 41.00 | 0.15       | 3.60±0.20 |
|          | 87832-4020                   | 87832-4022                | 87832-6922               |                             | 1                          | 2               | YES            | N.A    | YES             | YES                 | YES   |           |       |       |       |       |       |            |           |
|          | 87832-4021                   | 87832-4023                | 87832-6923               |                             | 1                          | 3               |                |        |                 |                     |       |           |       |       |       |       |       |            |           |
|          | 87832-4070                   | 87832-4072                | 87832-6972               |                             | 1                          | 4               |                |        |                 |                     |       |           |       |       |       |       |       |            |           |
|          | 87832-4012                   | 87832-4016                | N.A                      |                             | N.A                        | 2               | YES            | N.A    | YES             | YES                 | N.A   |           |       |       |       |       |       | 0.15       | 3.60±0.20 |
| 42       | 87832-4260                   | 87832-4262                | N.A                      |                             | N.A                        | 1               |                |        |                 |                     | 44.65 | 42.85     | 40.00 | 36.00 | 38.00 | 43.00 | 0.15  | 3.60±0.20  |           |
|          | 87832-4220                   | 87832-4222                | 87832-4230               |                             | N.A                        | 2               | YES            | N.A    | YES             | YES                 |       |           |       |       |       |       |       |            | YES       |
|          | 87832-4221                   | 87832-4223                | N.A                      |                             | N.A                        | 3               |                |        |                 |                     |       |           |       |       |       |       |       |            |           |
|          | 87832-4270                   | 87832-4272                | N.A                      |                             | N.A                        | 4               |                |        |                 |                     |       |           |       |       |       |       |       |            |           |
| 44       | 87832-4460                   | 87832-4462                | 87832-7162               |                             | 1                          | 1               |                |        |                 |                     | 46.65 | 44.85     | 42.00 | 38.00 | 40.00 | 45.00 | 0.15  | 3.60±0.20  |           |
|          | 87832-4420                   | 87832-4422                | 87832-7122               |                             | 1                          | 2               | YES            | N.A    | YES             | YES                 |       |           |       |       |       |       |       |            | YES       |
|          | 87832-4421                   | 87832-4423                | 87832-7123               |                             | 1                          | 3               |                |        |                 |                     |       |           |       |       |       |       |       |            |           |
|          | 87832-4470                   | 87832-4472                | 87832-7172               |                             | 1                          | 4               |                |        |                 |                     |       |           |       |       |       |       |       |            |           |
|          | 87832-4413                   | 87832-4417                | 87832-4415               |                             | 3                          | 3               | YES            | N.A    | YES             | YES                 |       |           |       |       |       |       | N.A   | 0.15       | 3.60±0.20 |
| 46       | 87832-4660                   | 87832-4662                | 87832-7262               |                             | 1                          | 1               |                |        |                 |                     | 48.65 | 46.85     | 44.00 | 40.00 | 42.00 | 47.00 | 0.15  | 3.60±0.20  |           |
|          | 87832-4620                   | 87832-4622                | 87832-7222               | 87832-7230                  | 1                          | 2               | YES            | N.A    | YES             | YES                 |       |           |       |       |       |       |       |            | YES       |
|          | 87832-4621                   | 87832-4623                | N.A                      |                             | N.A                        | 3               |                |        |                 |                     |       |           |       |       |       |       |       |            |           |
|          | 87832-4670                   | 87832-4672                | 87832-7272               |                             | 1                          | 4               |                |        |                 |                     |       |           |       |       |       |       |       |            |           |
| 48       | 87832-4860                   | 87832-4862                | N.A                      |                             | N.A                        | 1               |                |        |                 |                     | 50.65 | 48.85     | 46.00 | 42.00 | 44.00 | 49.00 | 0.15  | 3.60±0.20  |           |
|          | 87832-4820                   | 87832-4822                | N.A                      |                             | N.A                        | 2               | YES            | N.A    | YES             | YES                 |       |           |       |       |       |       |       |            | YES       |
|          | 87832-4821                   | 87832-4823                | N.A                      |                             | N.A                        | 3               |                |        |                 |                     |       |           |       |       |       |       |       |            |           |
|          | 87832-4870                   | 87832-4872                | N.A                      |                             | N.A                        | 4               |                |        |                 |                     |       |           |       |       |       |       |       |            |           |
| 50       | 87832-5060                   | 87832-5062                | 87832-7462               |                             | 1                          | 1               |                |        |                 |                     | 52.65 | 50.85     | 48.00 | 44.00 | 46.00 | 51.00 | 0.15  | 3.60±0.20  |           |
|          | 87832-5020                   | 87832-5022                | 87832-7422               |                             | 1                          | 2               | YES            | N.A    | YES             | YES                 |       |           |       |       |       |       |       |            | YES       |
|          | 87832-5021                   | 87832-5023                | 87832-7423               |                             | 1                          | 3               |                |        |                 |                     |       |           |       |       |       |       |       |            |           |
|          | 87832-5070                   | 87832-5072                | 87832-7472               |                             | 1                          | 4               |                |        |                 |                     |       |           |       |       |       |       |       |            |           |
|          | 87832-5012                   | 87832-5016                | N.A                      |                             | N.A                        | 2               | YES            | N.A    | YES             | YES                 | N.A   |           |       |       |       |       | 0.15  | 3.60±0.20  |           |

**PLATING OPTIONS:**

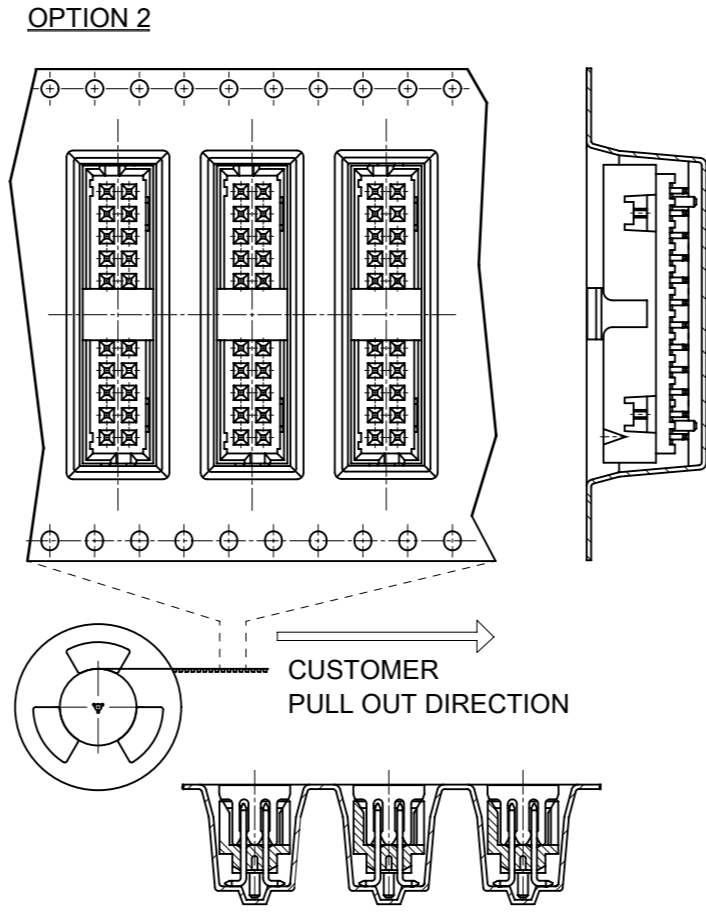
- 1 - 0.05-0.13µm/2-5µin GOLD IN CONTACT AREA AND 1.88µm/75µin MIN. MATTE TIN IN SOLDER TAIL AREA OVER 1.27µm/50µin MIN. NICKEL OVERALL.
- 2 - 0.38µm/15µin MIN. GOLD IN CONTACT AREA AND 1.88µm/75µin MIN. MATTE TIN IN SOLDER TAIL AREA OVER 1.27µm/50µin MIN. NICKEL OVERALL.
- 3 - 0.76µm/30µin MIN. GOLD IN CONTACT AREA AND 1.88µm/75µin MIN. MATTE TIN IN SOLDER TAIL AREA OVER 1.27µm/50µin MIN. NICKEL OVERALL.
- 4 - 2.50µm/100µin MIN. MATTE TIN OVER 1.25µm/50µin MIN. NICKEL OVERALL.

|                |    |              |            |          |
|----------------|----|--------------|------------|----------|
| RELEASE STATUS | P1 | RELEASE DATE | 2022/09/20 | 09:04:31 |
|----------------|----|--------------|------------|----------|

THIS DRAWING CONTAINS INFORMATION THAT IS PROPRIETARY TO MOLEX ELECTRONIC TECHNOLOGIES, LLC AND SHOULD NOT BE USED WITHOUT WRITTEN PERMISSION

|  |                |            |            |                                       |          |                        |            |  |  |  |
|--|----------------|------------|------------|---------------------------------------|----------|------------------------|------------|--|--|--|
| EC NO: 721932<br>DRWN: DANUSA<br>CHKD: DANUSA<br>REV APPR: MIRAMAKRISHNA | 2022/07/25     | 2022/09/20 | 2022/09/20 | GENERAL TOLERANCES (UNLESS SPECIFIED) |          | MM                     | INCH       | SCALE  |  |  |
|  | 4 PLACES ±     |            | ±          |                                       | DRWN BY  |                        | DATE       |  | MILLIGRID<br>2MM PITCH, SMT VERTICAL SHROUDED HEADER<br><br>PRODUCT CUSTOMER DRAWING |  |
|  | 3 PLACES ±     |            | ±          |                                       | GMENARLY |                        | 2015/05/22 |  |  |  |
|  | 2 PLACES ± 0.2 |            | ±          |                                       | CHK'D BY |                        | DATE       |  |  |  |
| 1 PLACES ±   |                | ±          |            | CGOH                                  |          | 2015/09/21             |            |  |  |  |
| 0 PLACES ±   |                | ±          |            | APPR BY                               |          | DATE                   |            | SERIES: 87832    MATERIAL NUMBER: SEE TABLE    CUSTOMER: GENERAL MARKET                    |  |  |
| ANGULAR TOL = 3.0  |                |            |            | KHLIM                                 |          | 2015/09/22             |            |  |  |  |
| DRAFT WHERE APPLICABLE MUST REMAIN WITHIN DIMENSIONS                     |                |            |            | DRAWING SIZE                          |          | THIRD ANGLE PROJECTION |            | DOCUMENT NUMBER: SD-87832-0001    DOC TYPE: PSD    DOC PART: 001    SHEET NUMBER: 11 OF 13 |  |  |
|  |                |            |            | A3                                    |          |                        |            |  |  |  |

# PACKAGING OPTIONS



**VIEW FOR 1 SIDE PILOT HOLE**



**PACKAGING SPECIFICATION TABLE**

|  |              |
|--|--------------|
| TAPE AND REEL PACKAGING  | PK-87832-300 |
| TUBE STANDARD PACKAGING  | PK-87831-001 |
| TUBE NON-STANDARD PACKAGING FOR:<br>87832-0411<br>87832-0824<br>87832-1072<br>87832-1412 | PK-87831-002 |

**EMBOSSED TAPE & REEL POCKET DESCRIPTIONS**


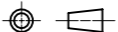
| OPTIONS | CENTER POLARIZATION OPTIONS |              | PEG OPTIONS |             | PILOT HOLE OPTIONS |          |
|---------|-----------------------------|--------------|-------------|-------------|--------------------|----------|
|         | ON THE LEFT                 | ON THE RIGHT | WITH PEG    | WITHOUT PEG | 2 SIDES            | 1 SIDE   |
| 1       | YES                         | N.A          | YES         | N.A         | CKT 12-50          | CKT 4-10 |
| 2       | N.A                         | YES          | YES         | YES         | CKT 12-50          | CKT 4-10 |
| 3       | YES                         | N.A          | N.A         | YES         | CKT 12-50          | CKT 4-10 |

THIS DRAWING CONTAINS INFORMATION THAT IS PROPRIETARY TO MOLEX ELECTRONIC TECHNOLOGIES, LLC AND SHOULD NOT BE USED WITHOUT WRITTEN PERMISSION

|  |                |  |              |                        |                          |                 |  |              |
|--|----------------|--|--------------|------------------------|--------------------------|-----------------|--|--------------|
| EC NO: 721932<br>DRWN: DANUSA<br>CHK'D: DANUSA<br>REV APPR: MRAMAKRISHNA | 2022/07/25     | GENERAL TOLERANCES (UNLESS SPECIFIED)                |              | DIMENSION UNITS        | SCALE                    |                 |  |              |
|  | 2022/09/20     | MM   | INCH         | MM                     | NTS                      |                 |  |              |
|  | 2022/09/20     | 4 PLACES ±   | ±            | DRWN BY                | DATE                     |                 | MILLIGRID<br>2MM PITCH, SMT VERTICAL SHROUDED HEADER |              |
|  |                | 3 PLACES ±   | ±            | GMENARLY               | 2015/05/22               |                 |  |              |
|  | 2 PLACES ± 0.2 | ±  | CHK'D BY     | DATE                   | PRODUCT CUSTOMER DRAWING |                 |  |              |
|  | 1 PLACES ±     | ±  | CGOH         | 2015/09/21             |                          |                 |  |              |
|  | 0 PLACES ±     | ±  | APPR BY      | DATE                   | SERIES                   | MATERIAL NUMBER | CUSTOMER   |              |
|  |                |  | KHLIM        | 2015/09/22             | 87832                    | SEE TABLE       | GENERAL MARKET                                       |              |
|  |                | ANGULAR TOL = 3.0                                    | DRAWING SIZE | THIRD ANGLE PROJECTION | DOCUMENT NUMBER          |                 |  |              |
|  |                |  | A3           |                        | SD-87832-0001            | DOC TYPE        | DOC PART   | SHEET NUMBER |
|  |                | DRAFT WHERE APPLICABLE MUST REMAIN WITHIN DIMENSIONS |              |                        | PSD                      | 001             | 12 OF 13   |              |

**BOARD TO BOARD (BTB) DISTANCE**

| HEADER | MATES WITH (RECEPTACLE) | BTB DIST. | PICTORIAL VIEW  |
|--------|-------------------------|-----------|---|
| 87832  | 79107                   | 8.14      |    |
|        | 78787                   | 8.14      |    |
|        | 79108                   | 8.14      |   |
|        | 79109                   | 8.35      |  |
|        | 78788                   | 8.35      |  |

|   |  |       |  |   |  |  |  |   |       |          |          |                 |
|---|--|-------|--|---|--|--|--|---|-------|----------|----------|-----------------|
| THIS DRAWING CONTAINS INFORMATION THAT IS PROPRIETARY TO MOLEX ELECTRONIC TECHNOLOGIES, LLC AND SHOULD NOT BE USED WITHOUT WRITTEN PERMISSION |  |       |  |   |  |  |  |   |       |          |          |                 |
| DIMENSION UNITS   |  | SCALE |  | CURRENT REV DESC:   |  |  |  |  |       |          |          |                 |
| mm  |  | NTS   |  |   |  |  |  |   |       |          |          |                 |
| GENERAL TOLERANCES (UNLESS SPECIFIED)   |  |       |  | EC NO: 721932   |  |  |  | MILLIGRID   |       |          |          |                 |
|   |  |       |  | DRWN: DANUSA 2022/07/25   |  |  |  | 2MM PITCH, SMT VERTICAL SHROUDED HEADER   |       |          |          |                 |
|   |  |       |  | CHK'D: DANUSA 2022/09/20  |  |  |  |   |       |          |          |                 |
|   |  |       |  | APPR: MRAMAKRISHNA 2022/09/20   |  |  |  | PRODUCT CUSTOMER DRAWING  |       |          |          |                 |
| 4 PLACES ±  |  |       |  | INITIAL REVISION:   |  |  |  | DOCUMENT NUMBER   |       | DOC TYPE | DOC PART | REVISION        |
| 3 PLACES ±  |  |       |  | DRWN: DRWN BY XXXX/XX/XX  |  |  |  | SD-87832-0001   |       | PSD      | 001      | A21             |
| 2 PLACES ± 0.2  |  |       |  | APPR: APPR BY XXXX/XX/XX  |  |  |  |   |       |          |          |                 |
| 1 PLACE ±   |  |       |  | DRAFT WHERE APPLICABLE MUST REMAIN WITHIN DIMENSIONS                                  |  |  |  | THIRD ANGLE PROJECTION  |       | DRAWING  | SERIES   | MATERIAL NUMBER |
| 0 PLACES ±  |  |       |  |  |  |  |  | A3-SIZE   | 87832 | CUSTOMER |          | SHEET NUMBER    |
| ANGULAR TOL ± 3.0°  |  |       |  |   |  |  |  | GENERAL MARKET  |       | 13 OF 13 |          |                 |