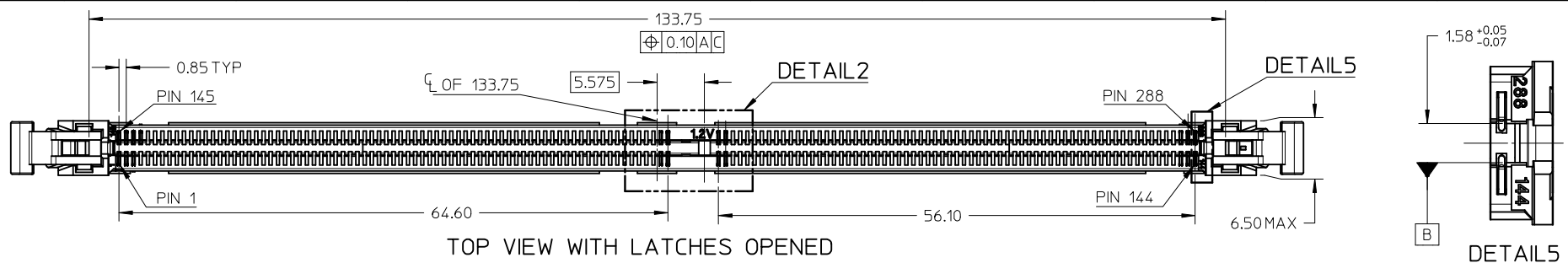
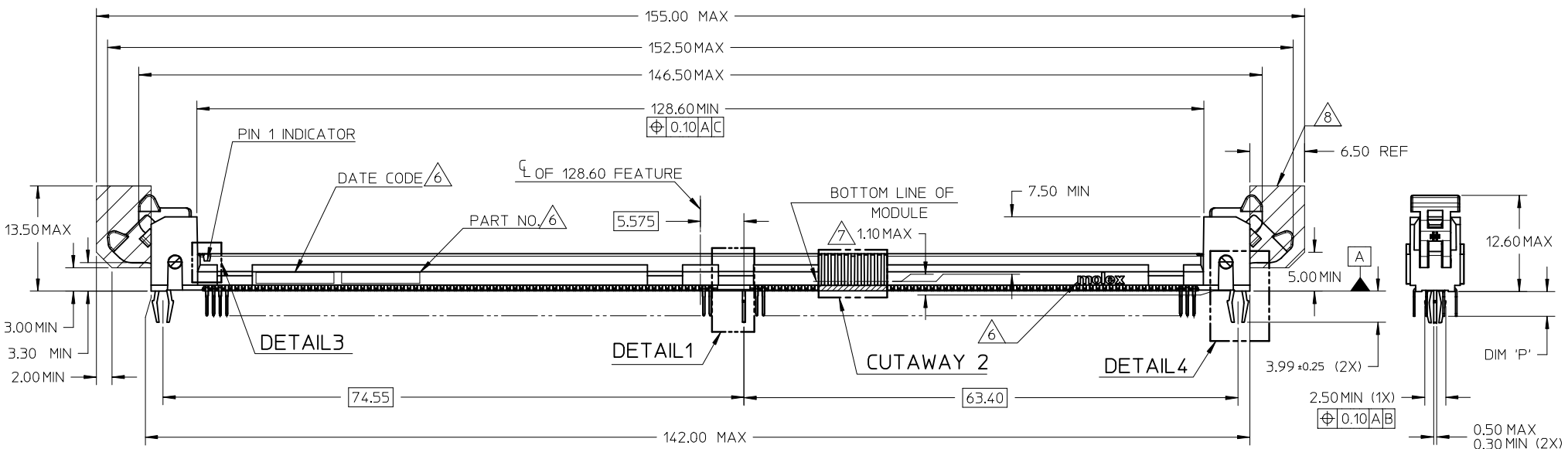


10 9 8 7 6 5 4 3 2 1



TOP VIEW WITH LATCHES OPENED



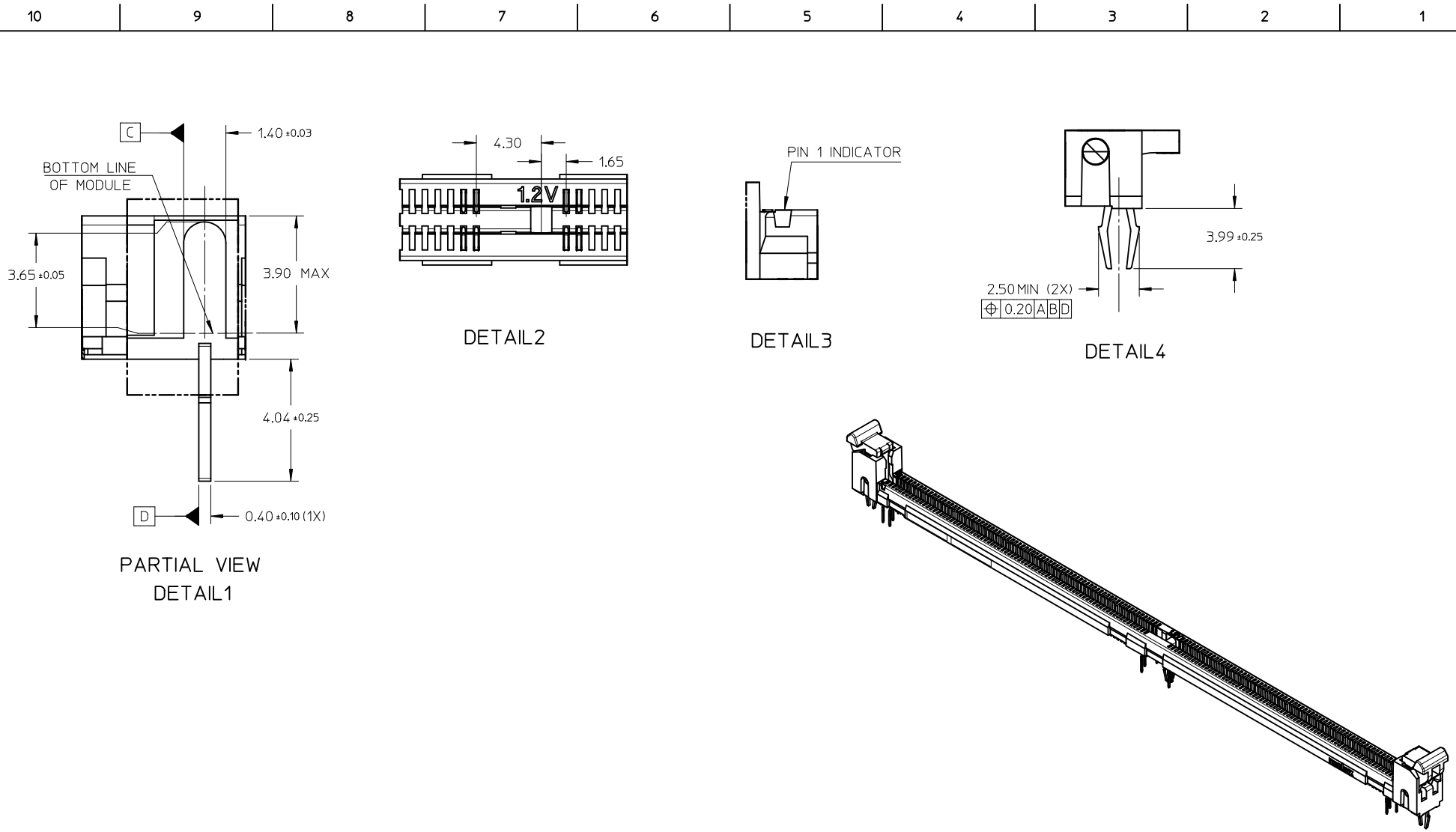
- NOTES:
- MATERIAL: HOUSING - HIGH TEMP NYLON, GLASS FILLED UL 94V-0. COLOR REFER SHEET 3
LATCH - HIGH TEMP NYLON, GLASS FILLED UL 94V-0. COLOR REFER SHEET 3
TERMINAL - COPPER ALLOY
 - FINISHES:
TERMINAL PLATING OPTIONS REFER TABLE ON SHEET 3
 - PRODUCT SPECIFICATION REFER TABLE ON SHEET 3
 - PACKAGING SPECIFICATION REFER TABLE ON SHEET 3
 - CARD SLOT ACCEPTS 1.40 ± 0.10 MM MODULE THICKNESS AS PER JEDEC MO-309

- MOLEX LOGO, DATE CODE IN YYDDXX AND PART NUMBERS INDICATED ON HOUSING
- MODULE SEATING PLANE FROM TOP OF PCB
- AREA RESERVED FOR SOCKET EJECTORS AT BOTH ENDS
- APPLICATION GUIDELINE AS PER AS-78726-001

THIS DESIGN IS BASED ON DESIGN OBJECTIVES AND IS STRICTLY TENTATIVE. IT MAY CHANGE BASED ON RESULTS OF ADDITIONAL DESIGN REVIEWS AND VERIFICATIONS.

UPDATE PART NOS EC NO: S2017-0364 DRWN:VMANICKAM 2016/12/15 CHKD:CCTEH 2016/12/16 APPR:SHLENI 2017/01/04	QUALITY SYMBOLS $F_A=0$ $F_C=0$ $F_P=0$	GENERAL TOLERANCES (UNLESS SPECIFIED)		DIMENSION STYLE	SCALE	DESIGN UNITS	THIRD ANGLE PROJECTION	
		mm	INCH	MM ONLY	NTS	METRIC		
		4 PLACES ± --- ± ---		DRAWN BY	DATE	TITLE		
		3 PLACES ± --- ± ---		CHECKED BY	DATE	DDR4 DIMM, 0.85 PITCH		
		2 PLACES ± 0.20 ± ---		APPROVED BY	DATE	288 CKT, VERTICAL, T/H		
		1 PLACE ± --- ± ---		VMANICKAM	2014/01/13	VLP, 110SP, LOW LLCR		
		ANGULAR ± 3 °		MATERIAL NO.		DOCUMENT NO.		
				SEE TABLE		SD-78860-001		
				DRAFT WHERE APPLICABLE MUST REMAIN WITHIN DIMENSIONS		MOLEX INCORPORATED		
				SIZE	THIS DRAWING CONTAINS INFORMATION THAT IS PROPRIETARY TO MOLEX INCORPORATED AND SHOULD NOT BE USED WITHOUT WRITTEN PERMISSION			
				A3	SHEET NO. 1 OF 6			

9 8 7 6 5 4 3 2 1

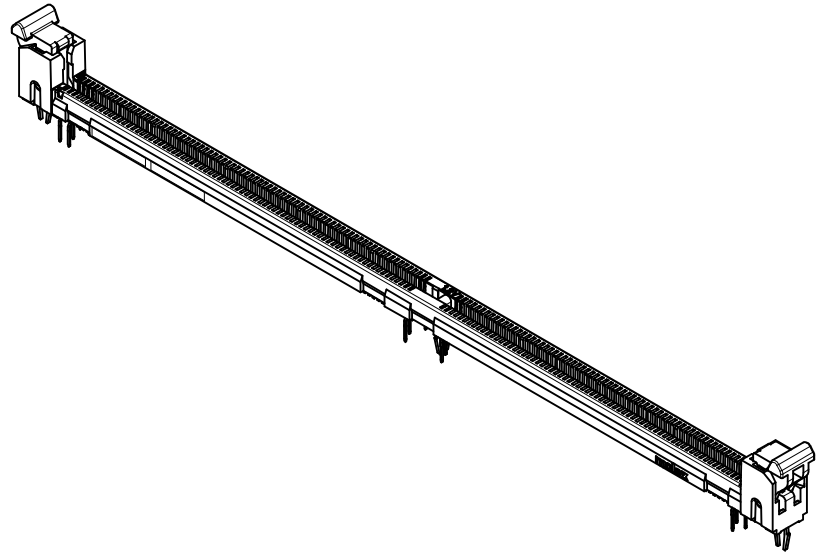


PARTIAL VIEW
DETAIL1

DETAIL2

DETAIL3

DETAIL4

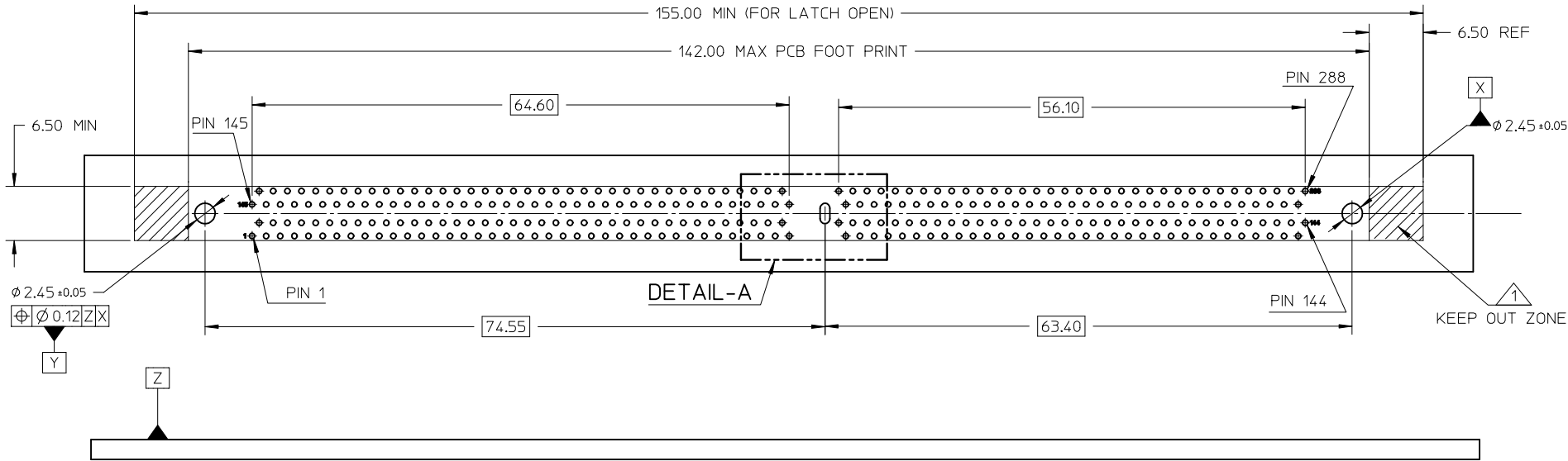


UPDATE PART NOS EC NO: S2017-0364 DRWN: VMANICKAM 2016/12/15 CHKD: CCTEH 2016/12/16 APPR: SHLENI 2017/01/04	DESCRIPTION QUALITY SYMBOLS $\nabla_A = 0$ $\nabla_C = 0$ $\nabla_P = 0$	GENERAL TOLERANCES (UNLESS SPECIFIED)		DIMENSION STYLE MM ONLY		SCALE NTS	DESIGN UNITS METRIC	THIRD ANGLE PROJECTION		
			mm	INCH	DRAWN BY VMANICKAM	DATE 2014/01/09	TITLE DDR4 DIMM, 0.85 PITCH 288 CKT, VERTICAL, T/H VLP, 110SP, LOW LLCR			
		4 PLACES	± ---	± ---	CHECKED BY SHLENI	DATE 2004/11/11	MOLEX INCORPORATED DOCUMENT NO. SD-78860-001 SHEET NO. 2 OF 6			
		3 PLACES	± ---	± ---	APPROVED BY VMANICKAM	DATE 2014/01/13				
2 PLACES	± 0.20	± ---	ANGULAR ± 3 °		SEE TABLE					
1 PLACE	± ---	± ---	DRAFT WHERE APPLICABLE MUST REMAIN WITHIN DIMENSIONS		THIS DRAWING CONTAINS INFORMATION THAT IS PROPRIETARY TO MOLEX INCORPORATED AND SHOULD NOT BE USED WITHOUT WRITTEN PERMISSION					

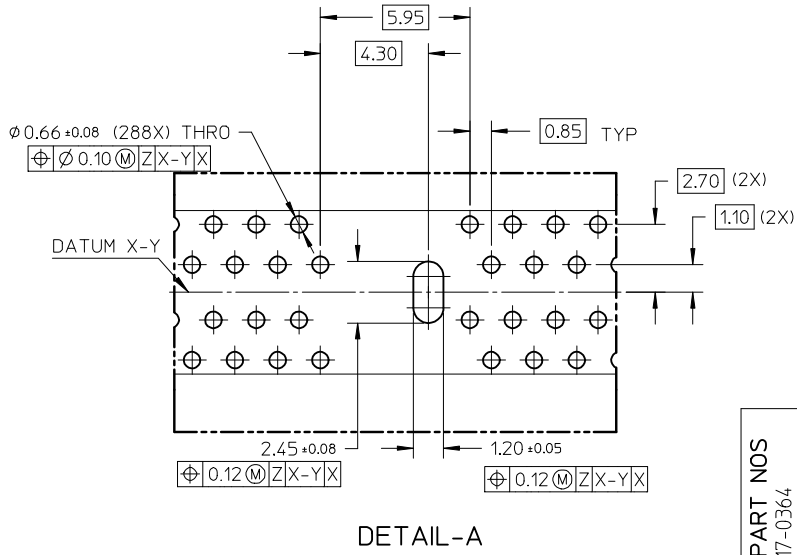
ASSEMBLY PART NO.	HOUSING COLOR	LATCH COLOR	PACKAGING SPEC	DIM 'P' TAIL LENGTH	PRODUCT SPECIFICATION	PLATING OPTION	RECOMMENDED PCB THICKNESS			
78860-1502	BLACK	BLACK	PK-78860-001	3.18 ^{+0.35} _{-0.25}	PS-78860-001	0.38 MICROMETER /15 MICROINCH MIN. GOLD ON CONTACT. 2.54 MICROMETER /100 MICROINCH MIN. PURE MATTE TIN ON SOLDER TAILS OVER 1.27 MICROMETER /50 MICROINCH MIN. NICKEL UNDERPLATE	2.36			
78860-1552		NATURAL (OFF-WHITE)								
78860-1562	NATURAL (OFF-WHITE)									
78860-1566	NATURAL (OFF-WHITE)	BLACK								
78860-1584	BLACK	BLACK								
78860-1594	BLACK	NATURAL (OFF-WHITE)								
78860-1585	NATURAL (OFF-WHITE)	NATURAL (OFF-WHITE)								
78860-1595		BLACK								
78860-3184	BLACK	BLACK		2.95 ^{+0.35} _{-0.25}				PS-78860-002	0.76 MICROMETER /30 MICROINCH MIN. GOLD ON CONTACT. 2.54 MICROMETER /100 MICROINCH MIN. PURE MATTE TIN ON SOLDER TAILS OVER 1.27 MICROMETER /50 MICROINCH MIN. NICKEL UNDERPLATE	2.36
78860-3194		NATURAL (OFF-WHITE)								
78860-3183	NATURAL (OFF-WHITE)									
78860-3193	NATURAL (OFF-WHITE)	BLACK								
78860-3002	BLACK	BLACK	3.18 ^{+0.35} _{-0.25}							
78860-3052		NATURAL (OFF-WHITE)								
78860-3003	NATURAL (OFF-WHITE)	NATURAL (OFF-WHITE)								
78860-3053	NATURAL (OFF-WHITE)	BLACK								

UPDATE PART NOS EC NO: S2017-0364 DRWN: VMANICKAM 2016/12/15 CHKD: CCTEH 2016/12/16 APPR: SHLENI 2017/01/04	DESCRIPTION REV	QUALITY SYMBOLS	GENERAL TOLERANCES (UNLESS SPECIFIED)	DIMENSION STYLE MM ONLY	SCALE NTS	DESIGN UNITS METRIC	THIRD ANGLE PROJECTION	
		$F_A=0$ $F_G=0$ $F_P=0$	mm INCH 4 PLACES ± --- ± --- 3 PLACES ± --- ± --- 2 PLACES ± 0.20 ± --- 1 PLACE ± --- ± --- 0 PLACE ± --- ± ---	DRAWN BY DATE VMANICKAM 2014/01/09 CHECKED BY DATE SHLENI 2004/11/11 APPROVED BY DATE VMANICKAM 2014/01/13	TITLE	DDR4 DIMM, 0.85 PITCH 288 CKT, VERTICAL, T/H VLP, 110SP, LOW LLCR		
		ANGULAR ± 3 ° DRAFT WHERE APPLICABLE MUST REMAIN WITHIN DIMENSIONS	SEE TABLE	MATERIAL NO. DOCUMENT NO.	molex SD-78860-001			
		SIZE A3	THIS DRAWING CONTAINS INFORMATION THAT IS PROPRIETARY TO MOLEX INCORPORATED AND SHOULD NOT BE USED WITHOUT WRITTEN PERMISSION			SHEET NO. 3 OF 6		

RECOMMENDED PCB FOOT PRINT
ALL DIMENSIONS AS PER JEDEC SO-016



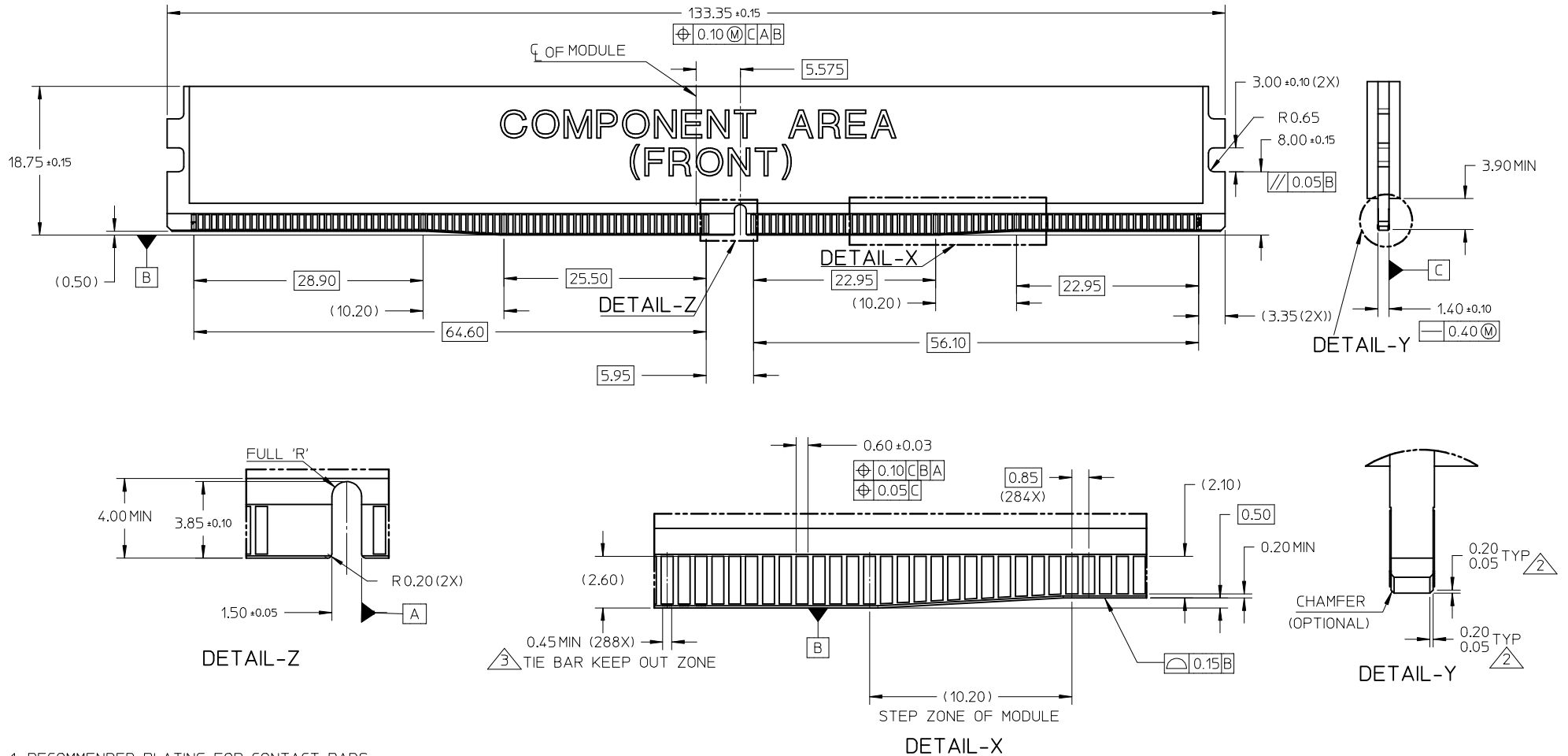
△ KEEP OUT ZONE LIMITED AS PER NOTE △ OF SOCKET IN SHEET 1



RECOMMENDED PCB THICKNESS 2.36 MM

UPDATE PART NOS EC NO: S2017-0364 DRWN:VMANICKAM 2016/12/15 CHKD:CCTEH 2016/12/16 APPR:SHLENI 2017/01/04	REV 8	QUALITY SYMBOLS F=0 F=0 F=0	GENERAL TOLERANCES (UNLESS SPECIFIED)		DIMENSION STYLE MM ONLY		SCALE NTS	DESIGN UNITS METRIC	THIRD ANGLE PROJECTION		
				mm	INCH	DRAWN BY VMANICKAM	DATE 2014/01/09	TITLE DDR4 DIMM, 0.85 PITCH 288 CKT, VERTICAL, T/H VLP, 110SP, LOW LLCR			
			4 PLACES	± ---	± ---	CHECKED BY SHLENI	DATE 2004/11/11	molex			
			3 PLACES	± ---	± ---	APPROVED BY VMANICKAM	DATE 2014/01/13				
DRAFT WHERE APPLICABLE MUST REMAIN WITHIN DIMENSIONS		ANGULAR ± 3 °		MATERIAL NO. SEE TABLE		DOCUMENT NO. SD-78860-001		SHEET NO. 4 OF 6			
THIS DRAWING CONTAINS INFORMATION THAT IS PROPRIETARY TO MOLEX INCORPORATED AND SHOULD NOT BE USED WITHOUT WRITTEN PERMISSION											

RECOMMENDED DDR4 MODULE LAYOUT AS PER MO-309



- RECOMMENDED PLATING FOR CONTACT PADS
 PREFERRED: 0.76 MICROMETERS GOLD PLATING MN
 OVER 2.00 MICROMETERS NICKEL
 ALTERNATIVE: 0.05 TO 0.75 MICROMETERS GOLD PLATING
 OVER 2.00 MICROMETERS NICKEL MUST USE
 AN ELECTRONIC CONTACT GRADE CORROSIVE
 BARRIER LUBRICANT
- CHAMFER IS OPTIONAL AND IS NOT TO HIT THE GOLD PADS
- LEADING EDGE OF THE GOLD PADS SPECIFIED BY KEEPOUT ZONE
 SHALL BE FREE OF BURRS AND EXTERNAL TIE BARS

UPDATE PART NOS EC NO: S2017-0364 DRWN:VMANICKAM 2016/12/15 CHKD:CCTEH 2016/12/16 APPR:SHLENI 2017/01/04	QUALITY SYMBOLS $F_A=0$ $F_C=0$ $F_P=0$	GENERAL TOLERANCES (UNLESS SPECIFIED)		DIMENSION STYLE MM ONLY		SCALE NTS	DESIGN UNITS METRIC	THIRD ANGLE PROJECTION		
		mm	INCH	DRAWN BY VMANICKAM	DATE 2014/01/09	TITLE DDR4 DIMM, 0.85 PITCH 288 CKT, VERTICAL, T/H VLP, 110SP, LOW LLCR				
		4 PLACES ± --- ± ---	3 PLACES ± --- ± ---	CHECKED BY SHLENI	DATE 2004/11/11	molex SD-78860-001 SHEET NO. 6 OF 6				
		2 PLACES ± 0.20 ± ---	1 PLACE ± --- ± ---	APPROVED BY VMANICKAM	DATE 2014/01/13					
ANGULAR ± 3 °		DRAFT WHERE APPLICABLE MUST REMAIN WITHIN DIMENSIONS		MATERIAL NO.		DOCUMENT NO.		SEE TABLE		