

CPA TO BE INSTALLED IN PRE-LOCK POSITION AS SHOWN IN BOTH VIEWS. SEE NOTE #5

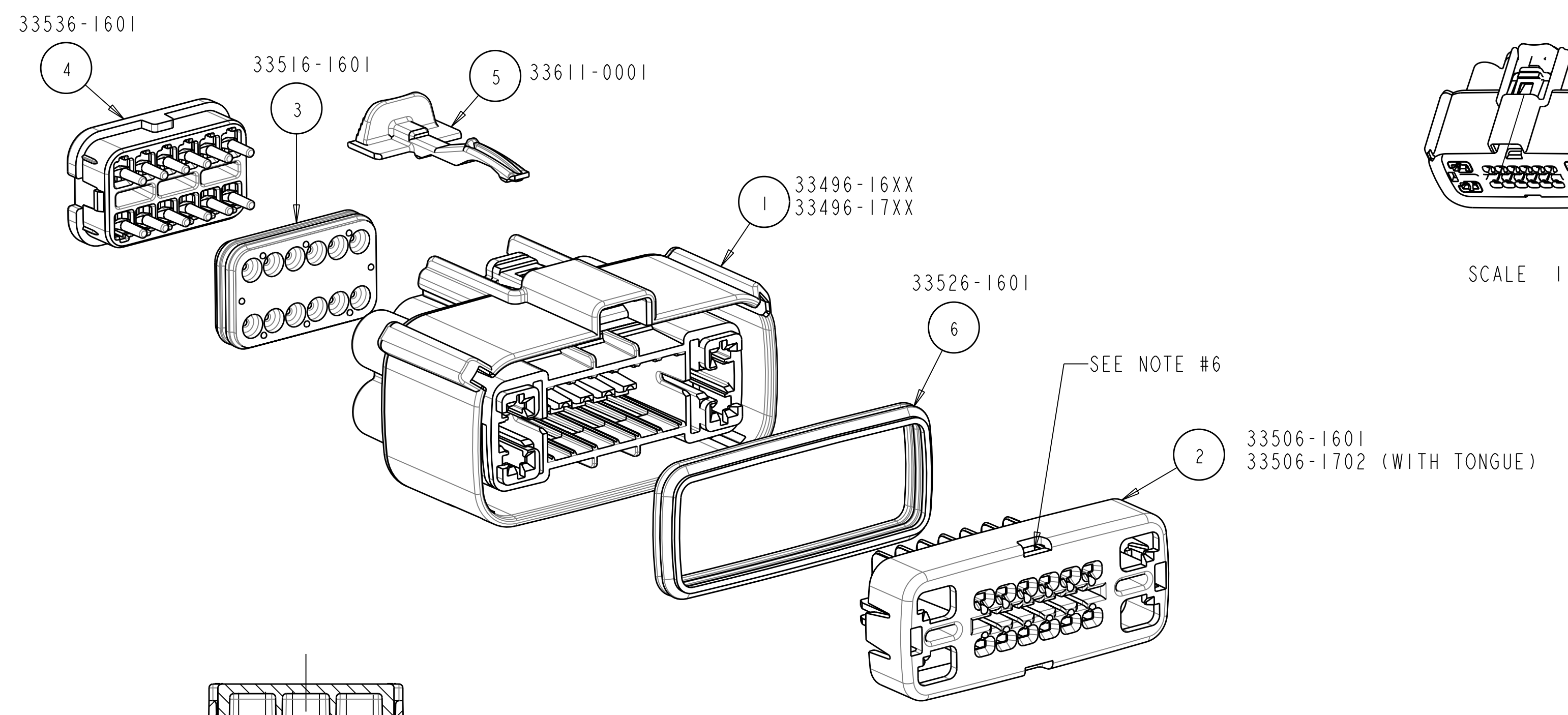
CPA TO BE INSTALLED IN PRE-LOCK POSITION AS SHOWN IN BOTH VIEWS. SEE NOTE #5

SECTION B-B
(RECEPTACLE INSERT WITH SHORTING BAR SHOWN IN PRE-LOCK)
SEE NOTE #2

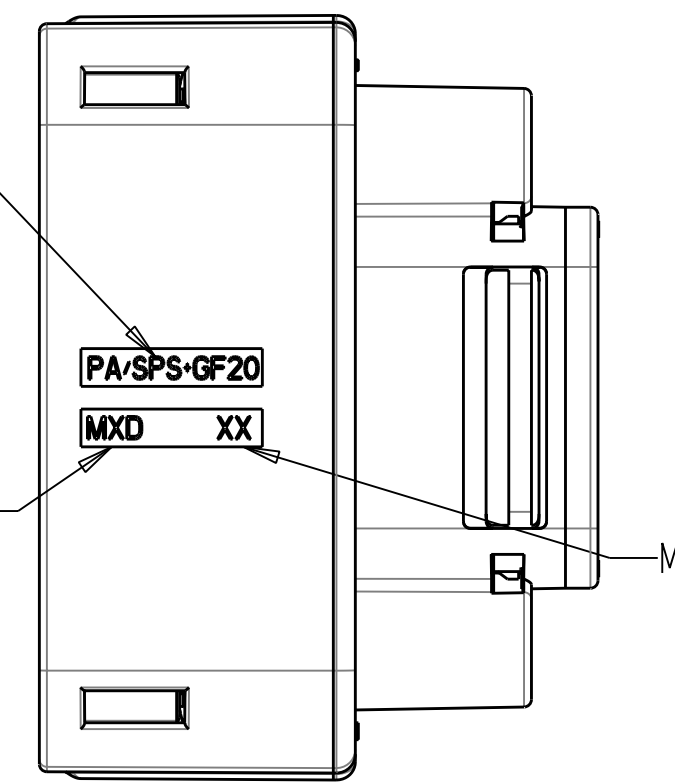
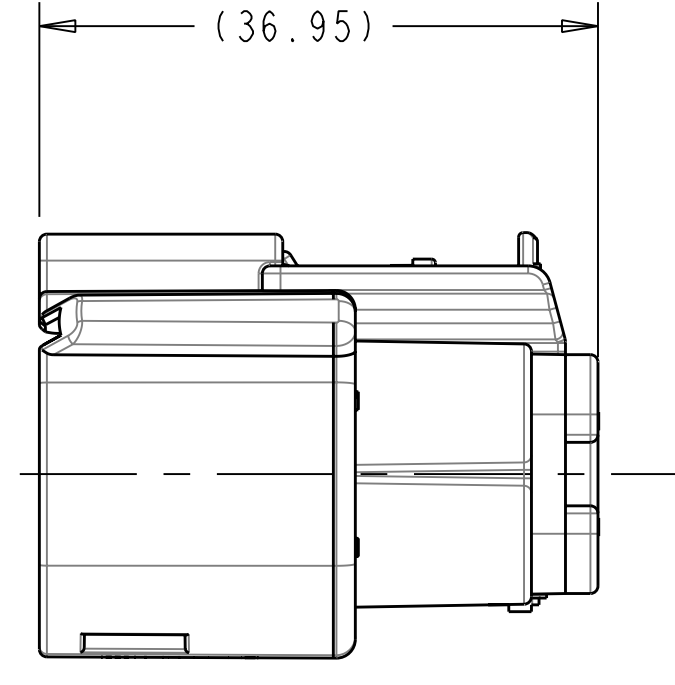
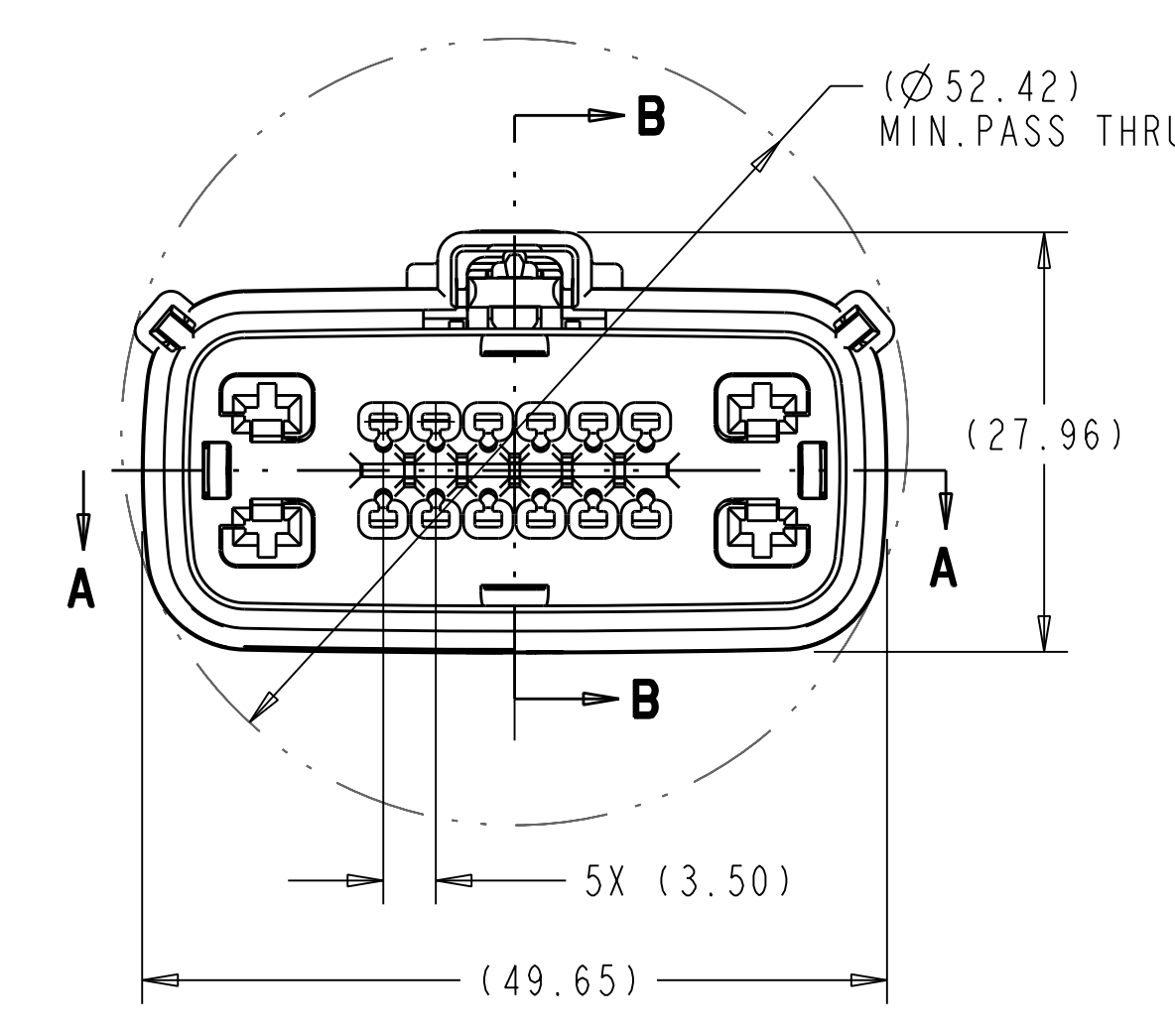
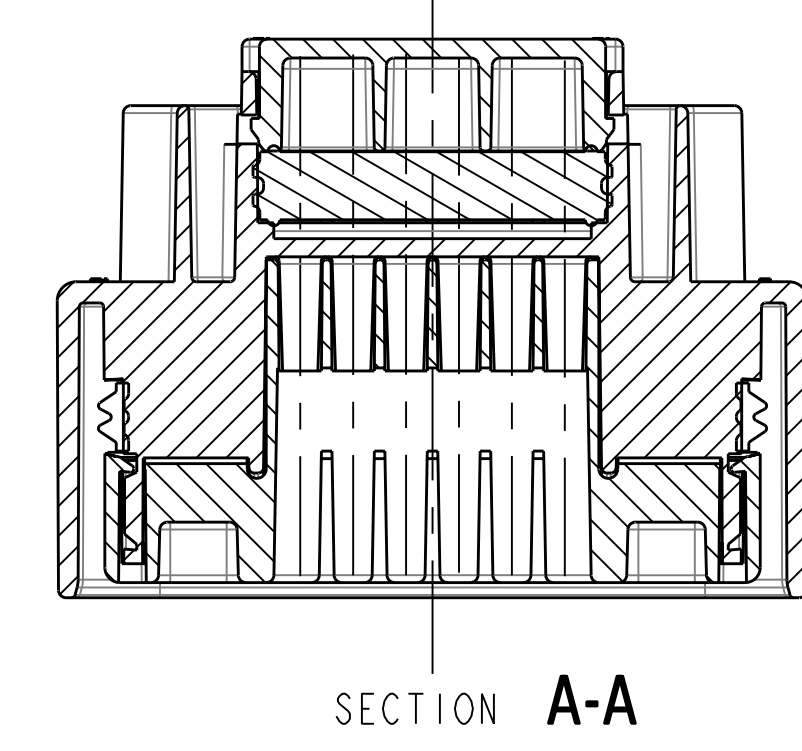
SECTION B-B
(RECEPTACLE INSERT WITH SHORTING BAR SHOWN IN FULL-LOCK)
SEE NOTE #2

SECTION B-B
(RECEPTACLE INSERT SHOWN IN PRE-LOCK POSITION)
SEE NOTE #2

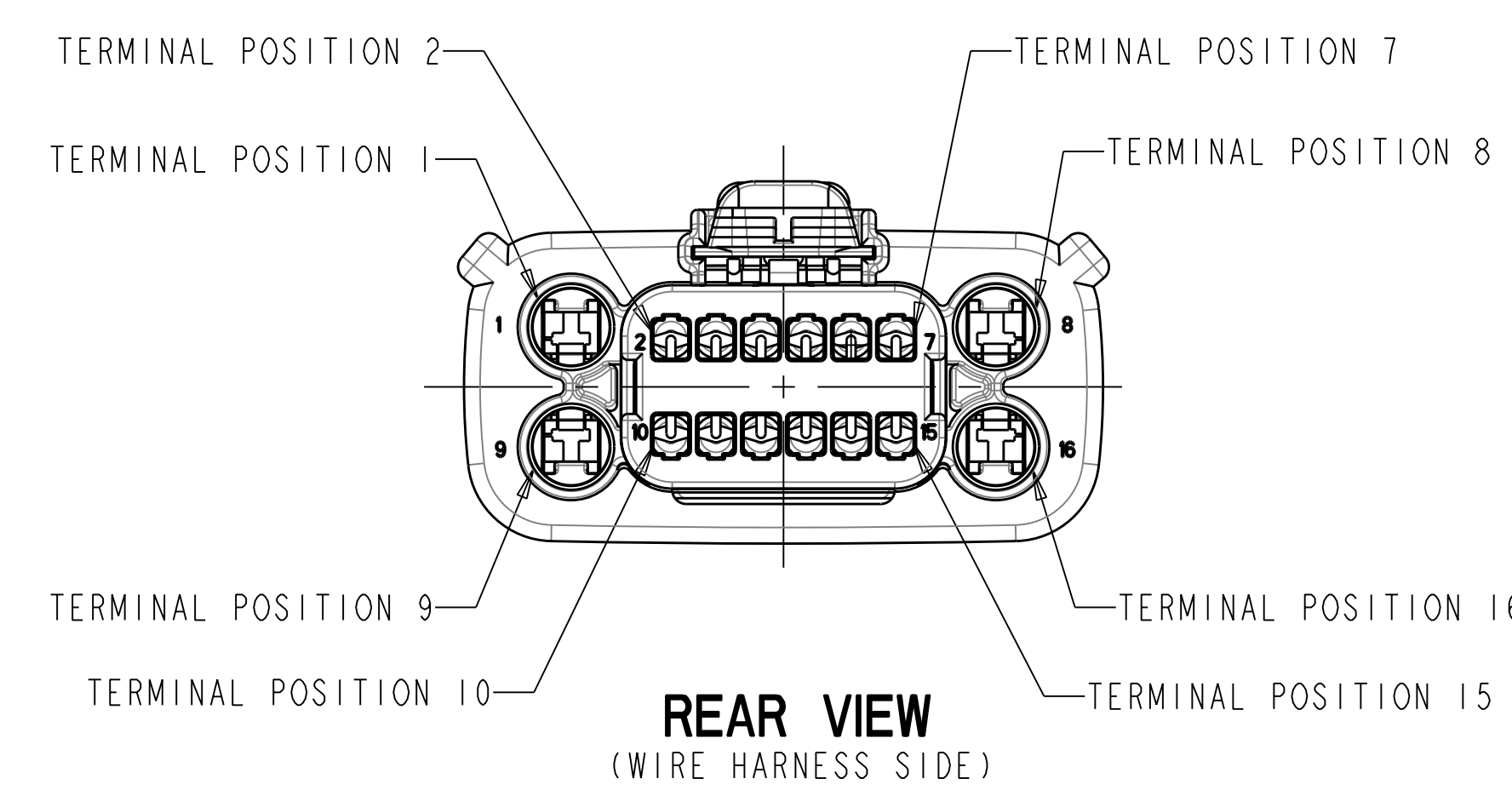
SECTION B-B
(RECEPTACLE INSERT SHOWN IN FULL-LOCK POSITION)
SEE NOTE #2



SCALE 1:1



MATERIAL RECYCLE CODE
MOLDING LOCATION CODE
MOLD CAVITY I.D.



- NOTES: UNLESS OTHERWISE SPECIFIED
- DESIGNED TO MATE WITH BLADE HOUSING ASSEMBLY SPECIFIED IN CHARTED DRAWING E-33486-161 OR DEVICE CONNECTION AS SPECIFIED IN DRAWING E-33586-161. SEE CHART
 - ASSEMBLY SHIPPED WITH RECEPTACLE INSERT IN PRE-LOCK POSITION (SEE SECTION B-B PRE-LOCK). UPON FULL TERMINAL ASSEMBLY, EACH RECEPTACLE INSERT MUST BE SNAPPED INTO ITS FINAL-LOCK POSITION.
 - FOR 1.5mm RECEPTACLE TERMINALS TO BE USED WITH THIS ASSEMBLY, SEE MOLEX DRAWING E-33012-001. FOR FORD 2.8mm FEMALE RECEPTACLE SEE CHART.
 - SYSTEM TO BE USED WITH WIRE WITHIN Ø RANGE OF 1.2mm TO 2.4mm.
 - OPTIONAL CPA SHOWN IN ALL VIEWS. SEE TABLES FOR SPECIFIC ASSEMBLY OPTION AND NUMBER. CPA MUST BE INSERTED TO THE PRE-LOCK POSITION, AS SHOWN IN SECTION B-B. WHEN CORRECTLY SEATED THE CPA DOES NOT MOVE, FREELY.
 - SERVICE WITH SCREWDRIVER.
 - REFER TO SHEET # 2 OF THIS DRAWING FOR ALL PART NUMBER CONFIGURATION OPTIONS.
 - REFER TO ASSEMBLY DRAWING E-33476-181 FOR RECEPTACLE WITH CLIP SLOT OPTIONS.
 - a. ENGAGEMENT FORCE - NO TERMINALS (PRE TO FINAL): 15N MIN.
b. ENGAGEMENT FORCE - WITH TERMINALS (PRE TO FINAL): 60N MAX.
c. DISENGAGEMENT FORCE - WITH TERMINALS (FINAL TO PRE): 18N MIN. 60N MAX.
d. PARTIALLY INSTALLED TERMINAL DETECTION - 80N MIN OR 40N GREATER THAN (b) WHICHEVER IS GREATER.
e. REMOVAL FORCE - WITH TERMINALS (FINAL TO OUT OF CONNECTOR): 25N MIN.

TYCO 2.8mm CABLE SEAL TERMINAL	
FORD P/N	GRIP SIZE
IFIT-14474-KA	12
IFIT-14474-JA	14
IFIT-14474-HA	16
IFIT-14474-GA	18
IFIT-14474-FA	20
IFIT-14474-EA	22

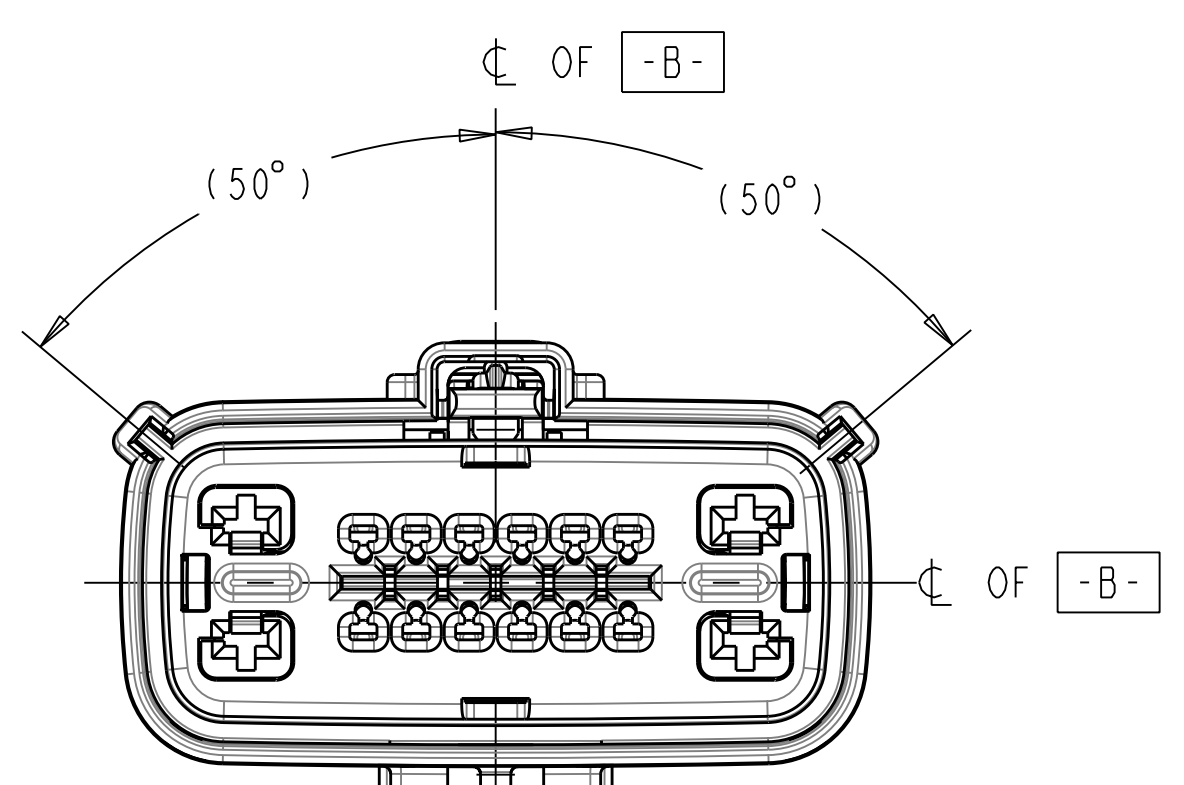
EC NO: UA02005-0053	DESCRIPTION
DRWN: D.GRIFFITHS 08-11-04	
CHK: D.GRIFFITHS 08-11-04	
APPR: D.GRIFFITHS 08-11-04	
REV N	REV

QUALITY SYMBOLS	GENERAL TOLERANCES (UNLESS SPECIFIED)	
	mm	INCH
4 PLACES	± .10	± .004
3 PLACES	± .15	± .005
2 PLACES	± 0.30	± .012
1 PLACE	± 0.75	± .030
	ANGULAR ± 3°	

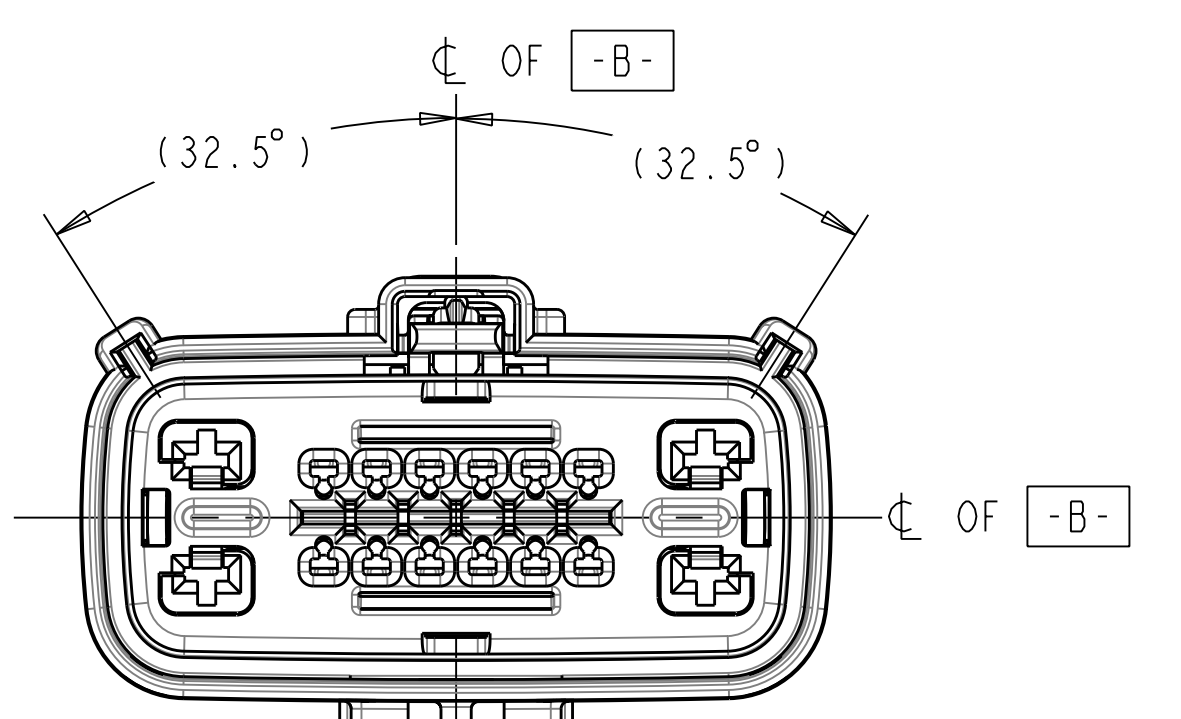
SCALE 2:1	DESIGN UNITS mm
DIMENSION STYLE mm	
DRAWN BY J. WESLEY	DATE 06-16-02
CHECKED BY D.GRIFFITHS	DATE 07-09-02
APPROVED BY F.HOLUB	DATE 07-09-02

THIRD ANGLE PROJECTION	REVISE ON CAD ONLY
TITLE 1.5mm/2.8mm HYBRID CONNECTOR, RCPT 2 ROW HOUSING, SEALED, 16 WAY	
MOLEX MOLEX INCORPORATED	
MATERIAL NO. -	DOCUMENT NO. SD-33476-161
SHEET NO. 1 OF 2	E

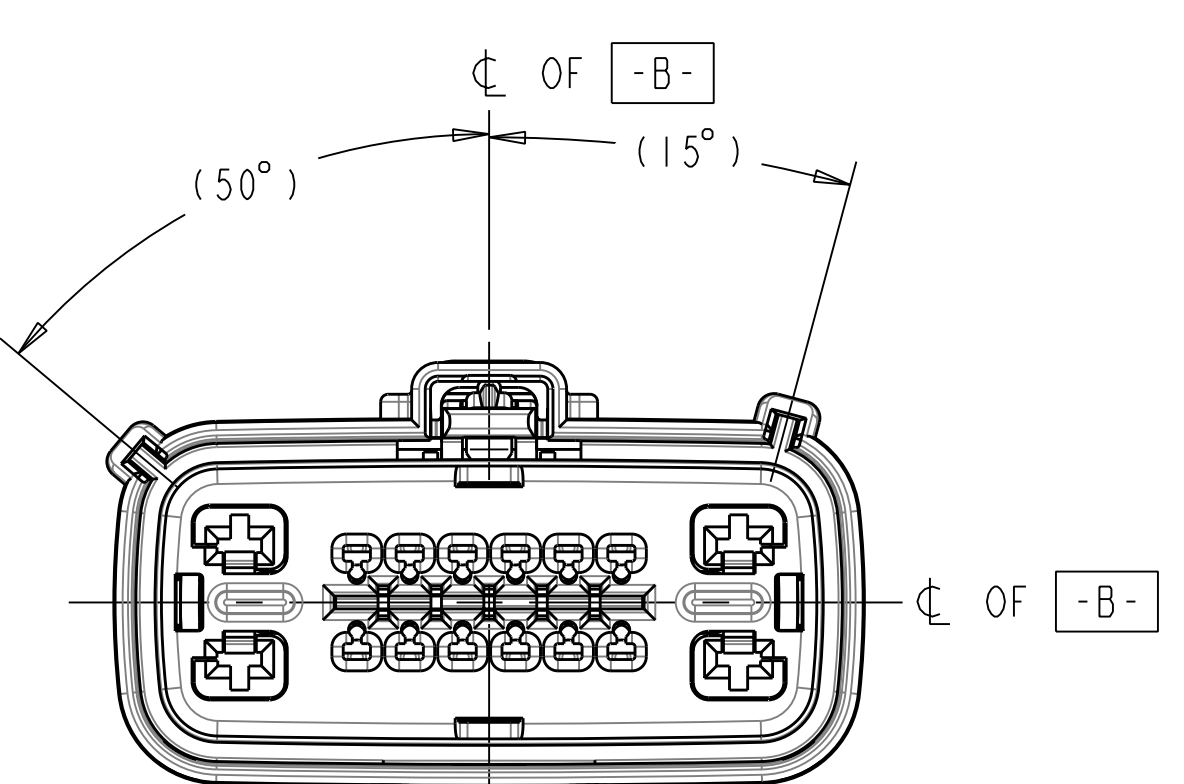
T	ASSEMBLY PART NUMBER	HOUSING PART NUMBER	COLOR	KEYING OPTION	MAT SEAL CAP	CAVITY TYPE & STATUS (X = PLUGGED)															CPA	INTERFACE SEAL	MAT SEAL	INSERT/TPA	MATES WITH SEE NOTE #1
						2	3	4	5	6	7	10	11	12	13	14	15								
T	33476-1601	33496-1601	BLACK	A	33536-1601													-	33526-1601	33516-1601	33506-1601				
T	33476-1602	33496-1602	LT.GRAY	B	33536-1601													-	33526-1601	33516-1601	33506-1601				
T	33476-1603	33496-1603	BROWN	C	33536-1601													-	33526-1601	33516-1601	33506-1601				
T	33476-1604	33496-1604	GREEN	D	33536-1601													-	33526-1601	33516-1601	33506-1601				
S	33476-1605	33496-1605	CUSTOM	TBD	33536-1601													-	33526-1601	33516-1601	33506-1601				
S	33476-1606	33496-1601	BLACK	A	33536-1601													33611-0001	33526-1601	33516-1601	33506-1601				
S	33476-1607	33496-1602	LT.GRAY	B	33536-1601													33611-0001	33526-1601	33516-1601	33506-1601				
S	33476-1608	33496-1603	BROWN	C	33536-1601													33611-0001	33526-1601	33516-1601	33506-1601				
S	33476-1609	33496-1604	GREEN	D	33536-1601													33611-0001	33526-1601	33516-1601	33506-1601				
R	33476-1610	33496-1605	CUSTOM	TBD	33536-1601													33611-0001	33526-1601	33516-1601	33506-1601				
R	33476-1611	33496-1601	BLACK	A	33536-1601	X												-	33526-1601	33516-1601	33506-1601				
R	33476-1612	33496-1602	LT.GRAY	B	33536-1601	X												-	33526-1601	33516-1601	33506-1601				
R	33476-1613	33496-1603	BROWN	C	33536-1601	X												-	33526-1601	33516-1601	33506-1601				
R	33476-1614	33496-1604	GREEN	D	33536-1601	X												-	33526-1601	33516-1601	33506-1601				
O	33476-1615	33496-1605	CUSTOM	TBD	33536-1601	X												-	33526-1601	33516-1601	33506-1601				
O	33476-1616	33496-1601	BLACK	A	33536-1601	X												33611-0001	33526-1601	33516-1601	33506-1601				
O	33476-1617	33496-1602	LT.GRAY	B	33536-1601	X												33611-0001	33526-1601	33516-1601	33506-1601				
O	33476-1618	33496-1603	BROWN	C	33536-1601	X												33611-0001	33526-1601	33516-1601	33506-1601				
O	33476-1619	33496-1604	GREEN	D	33536-1601	X												33611-0001	33526-1601	33516-1601	33506-1601				
O	33476-1620	33496-1605	CUSTOM	TBD	33536-1601	X												33611-0001	33526-1601	33516-1601	33506-1601				
P	33476-1621	33496-1601	BLACK	A	33536-1601	X									X			-	33526-1601	33516-1601	33506-1601				
P	33476-1622	33496-1602	LT.GRAY	B	33536-1601	X									X			-	33526-1601	33516-1601	33506-1601				
P	33476-1623	33496-1603	BROWN	C	33536-1601	X									X			-	33526-1601	33516-1601	33506-1601				
P	33476-1624	33496-1604	GREEN	D	33536-1601	X									X			-	33526-1601	33516-1601	33506-1601				
P	33476-1625	33496-1605	CUSTOM	TBD	33536-1601	X									X			-	33526-1601	33516-1601	33506-1601				
O	33476-1626	33496-1601	BLACK	A	33536-1601	X									X			33611-0001	33526-1601	33516-1601	33506-1601				
O	33476-1627	33496-1602	LT.GRAY	B	33536-1601	X									X			33611-0001	33526-1601	33516-1601	33506-1601				
O	33476-1628	33496-1603	BROWN	C	33536-1601	X									X			33611-0001	33526-1601	33516-1601	33506-1601				
O	33476-1629	33496-1604	GREEN	D	33536-1601	X									X			33611-0001	33526-1601	33516-1601	33506-1601				
N	33476-1630	33496-1605	CUSTOM	TBD	33536-1601	X									X			33611-0001	33526-1601	33516-1601	33506-1601				
N	33476-1641	33496-1601	BLACK	A	33536-1601	X	X	X	X	X	X	X	X	X	X	X		-	33526-1601	33516-1601	33506-1601				
N	33476-1651	33496-1601	BLACK	A	33536-1601	X	X											-	33526-1601	33516-1601	33506-1601				
N	33476-1661	33496-1601	BLACK	A	33536-1601		X											-	33526-1601	33516-1601	33506-1601				
N	33476-1671	33496-1601	BLACK	A	33536-1601													-	33526-1601	33516-1601	33506-1601				
N	33476-1701	33496-1701	BLACK	E	33536-1601													-	33526-1601	33516-1601	33506-1702				
M	33476-1702	33496-1702	LT.GRAY	F	33536-1601													-	33526-1601	33516-1601	33506-1702				
M	33476-1703	33496-1703	BROWN	G	33536-1601													-	33526-1601	33516-1601	33506-1702				
M	33476-1704	33496-1704	YELLOW	H	33536-1601													-	33526-1601	33516-1601	33506-1702				
M	33476-1706	33496-1704	YELLOW	H	33536-1601							X	X					33611-0001	33526-1601	33516-1601	33506-1702				
M	33476-1707	33496-1704	YELLOW	H	33536-1601	X							X	X				33611-0001	33526-1601	33516-1601	33506-1702				
M	33476-1708	33496-1704	YELLOW	H	33536-1601	X									X			33611-0001	33526-1601	33516-1601	33506-1702				
L	33476-1709	33496-1704	YELLOW	H	33536-1601		X								X	X		33611-0001	33526-1601	33516-1601	33506-1702				
L	33476-1710	33496-1704	YELLOW	H	33536-1601		X								X	X		33611-0001	33526-1601	33516-1601	33506-1702				
L	33476-1711	33496-1704	YELLOW	H	33536-1601													33611-0001	33526-1601	33516-1601	33506-1702				
L	33476-1712	33496-1704	YELLOW	H	33536-1601	X	X								X	X		33611-0001	33526-1601	33516-1601	33506-1702				
K	33476-1801	33496-1601	BLACK	A	33536-1601													-	33526-1601	33516-1601	33506-1601				
K	33476-1811	33496-1601	BLACK	A	33536-1601	X	X											-	33526-1601	33516-1601	33506-1601				
K	33476-1821	33496-1601	BLACK	A	33536-1601													-	33526-1601	33516-1601	33506-1601				
K	33476-1831	33496-1601	BLACK	A	33536-1601	X	X											-	33526-1601	33516-1601	33506-1601				
K	33476-1842	33496-1602	LT.GRAY	B	33536-1601													-	33526-1601	33516-1601	33506-1601				
K	33476-1843	33496-1601	BLACK	A	33536-1601		X											-	33526-1601	33516-1601	33506-1601				
K	33476-1844	33496-1601	BLACK	A	33536-1601													-	33526-1601	33516-1601	33506-1601				
J	33476-1845	33496-1601	BLACK	A	33536-1601	X									X	X	X	-	33526-1601	33516-1601	33506-1601				
J	33476-1846	33496-1601	BLACK	A	33536-1601	X	X								X	X	X	-	33526-1601	33516-1601	33506-1601				
J	33476-1847	33496-1601	BLACK	A	33536-1601	X									X			-	33526-1601	33516-1601	33506-1601				
J	33476-1879	33496-1601	BLACK	A	33536-1601													-	33526-1601	33516-1601	33506-1601				
I	33476-1880	33496-1601	BLACK	A	33536-1601										X	X	X	-	33526-1601	33516-1601	33506-1601				
I	33476-1882	33496-1601	BLACK	A	33536-1601										X	X	X	-	33526-1601	33516-1601	33506-1601				
I	33476-1883	33496-1601	BLACK	A	33536-1601		X								X	X	X	-	33526-1601	33516-1601	33506-1601				
I	33476-1884	33496-1601	BLACK	A	33536-1601										X	X	X	-	33526-1601	33516-1601	33506-1601				
I	33476-1885	33496-1601	BLACK	A	33536-1601										X	X	X	-	33526-1601	33516-1601	33506-1601				
I	33476-1886	33496-1602	LT.GRAY	B	33536-1601										X	X	X	-	33526-1601	33516-1601	33506-1601				
I	33476-1887	33496-1602	LT.GRAY	B	33536-1601										X	X	X	-	33526-1601	33516-1601	33506-1601				
H	33476-1888	33496-1601	BLACK	A	33536-1601	X												-	33526-1601	33516-1601	33506-1601				
H	33476-1889	33496-1601	BLACK	A	33536-1601	X									X	X	X	-	33526-1601	33516-1601	33506-1601				
H	33476-1890	33496-1601	BLACK	A	33536-1601		X								X			-	33526-1601	33516-1601	33506-1601				
G	33476-2001	33496-1701	BLACK	E	33536-1601													-	33526-1601	33516-1601	33506-1702				
G	33476-2002	33496-1702	LT.GRAY	F	33536-1601													-	33526-1601	33516-1601	33506-1702				
G	33476-2003	33496-1703	BROWN	G	33536-1601													-	33526-1601	33516-1601	33506-1702				
G	33476-2004	33496-1704	YELLOW	H	33536-1601													-	33526-1601	33516-1601	33506-1702				
G	33476-2006	33496-1704	YELLOW	H	33536-1601										X	X		33611-0001	33526-1601	33516-1601	33506-1702				
G	33476-2007	33496-1704	YELLOW	H	33536-1601	X																			



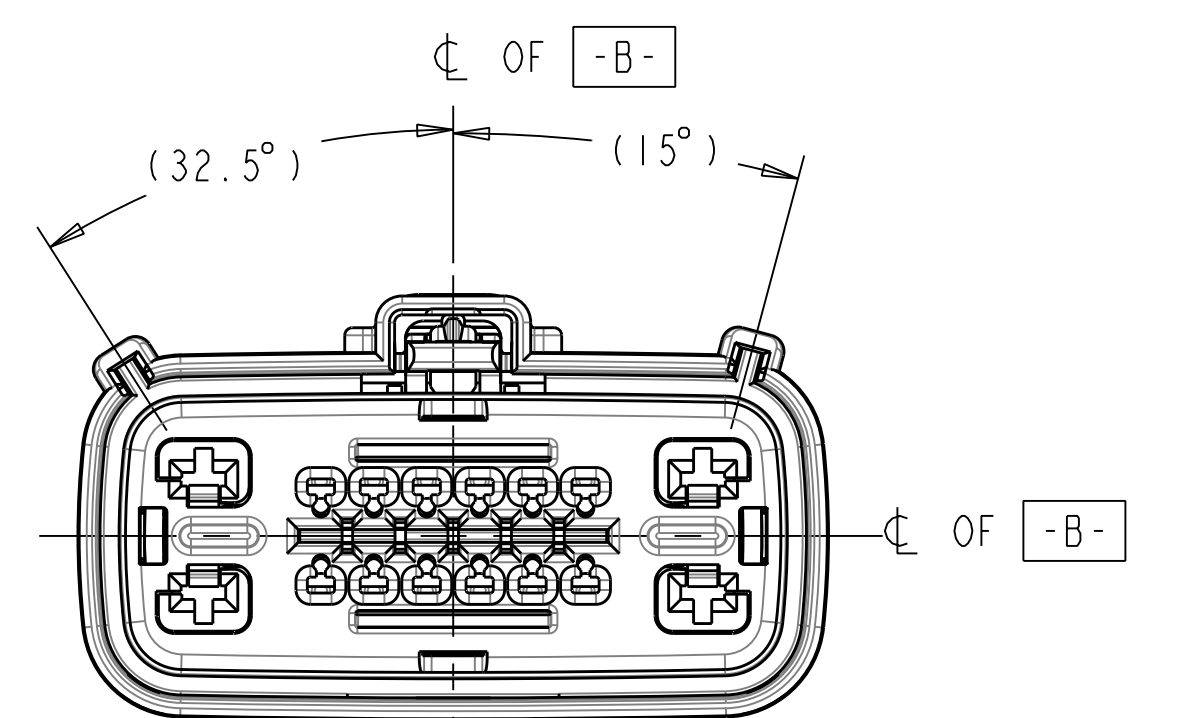
KEYING OPTION A
SCALE 2:1



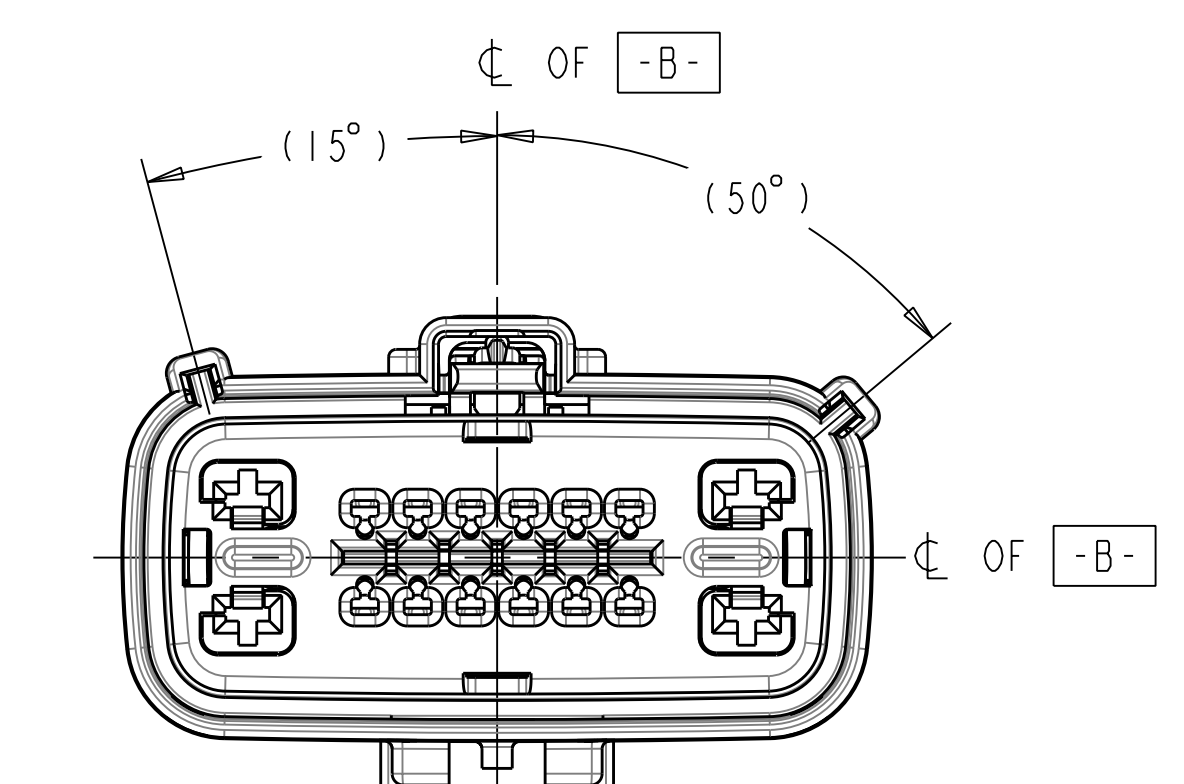
KEYING OPTION E
SCALE 2:1



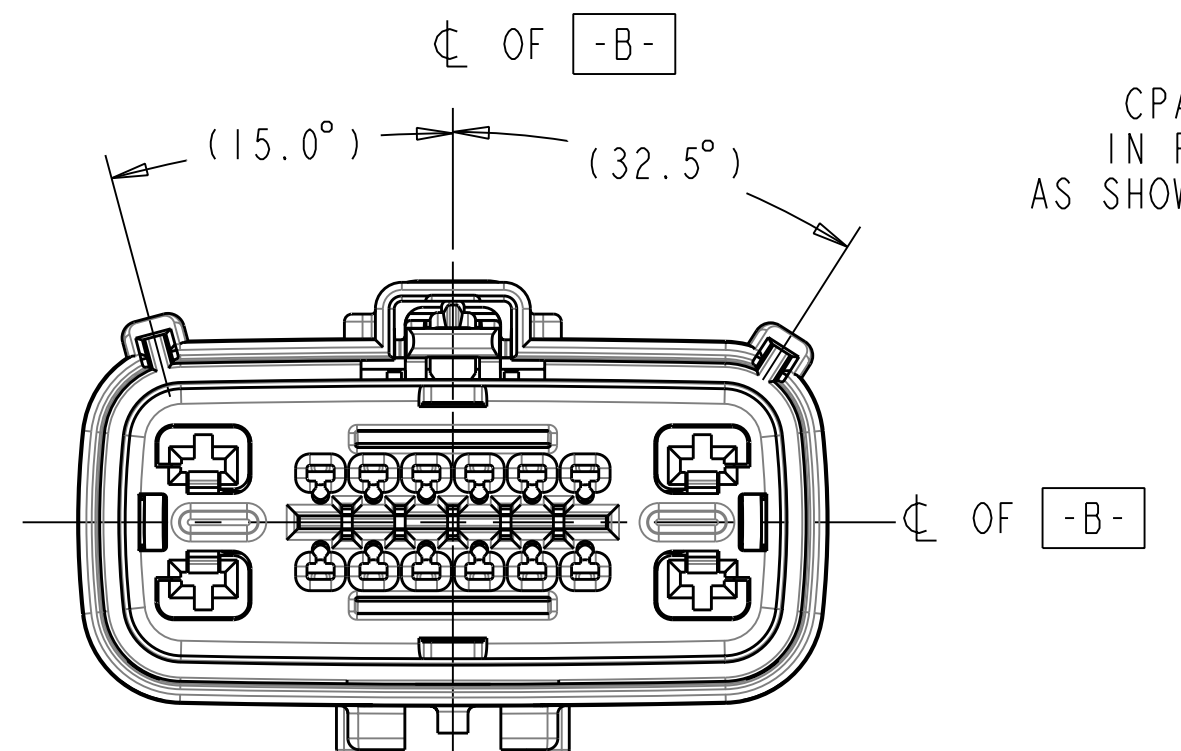
KEYING OPTION B
SCALE 2:1



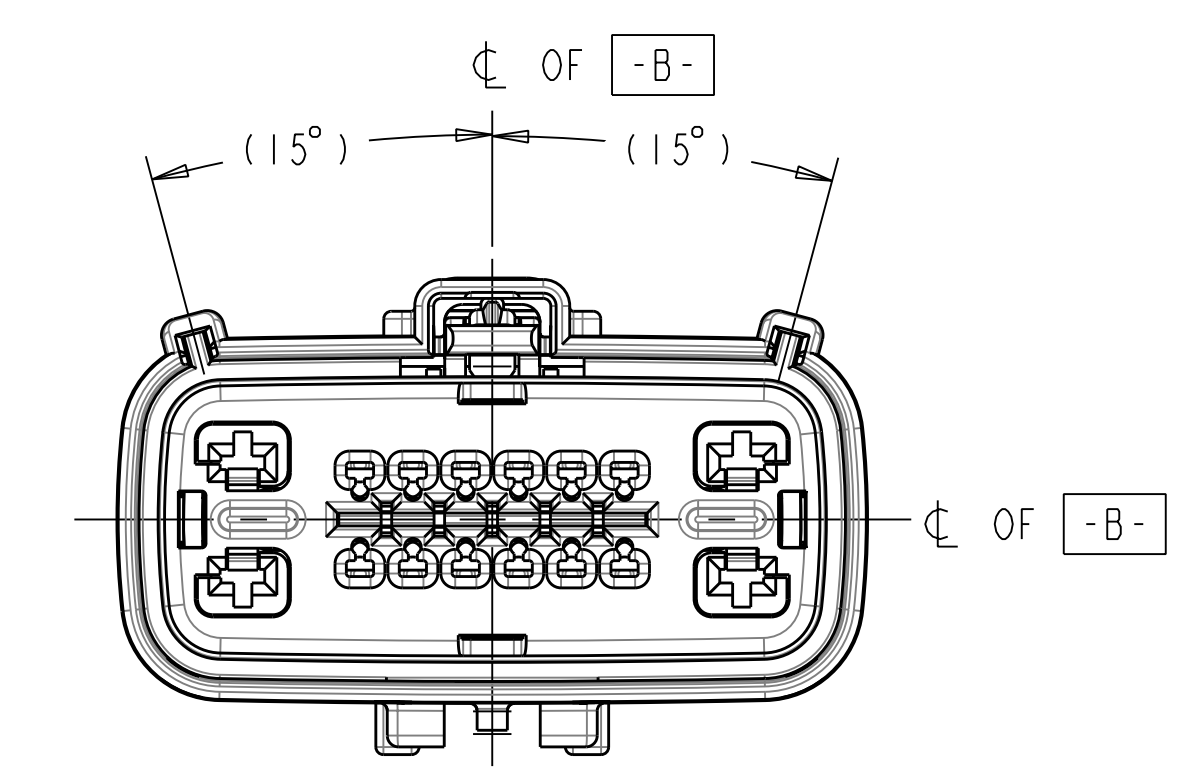
KEYING OPTION F
SCALE 2:1



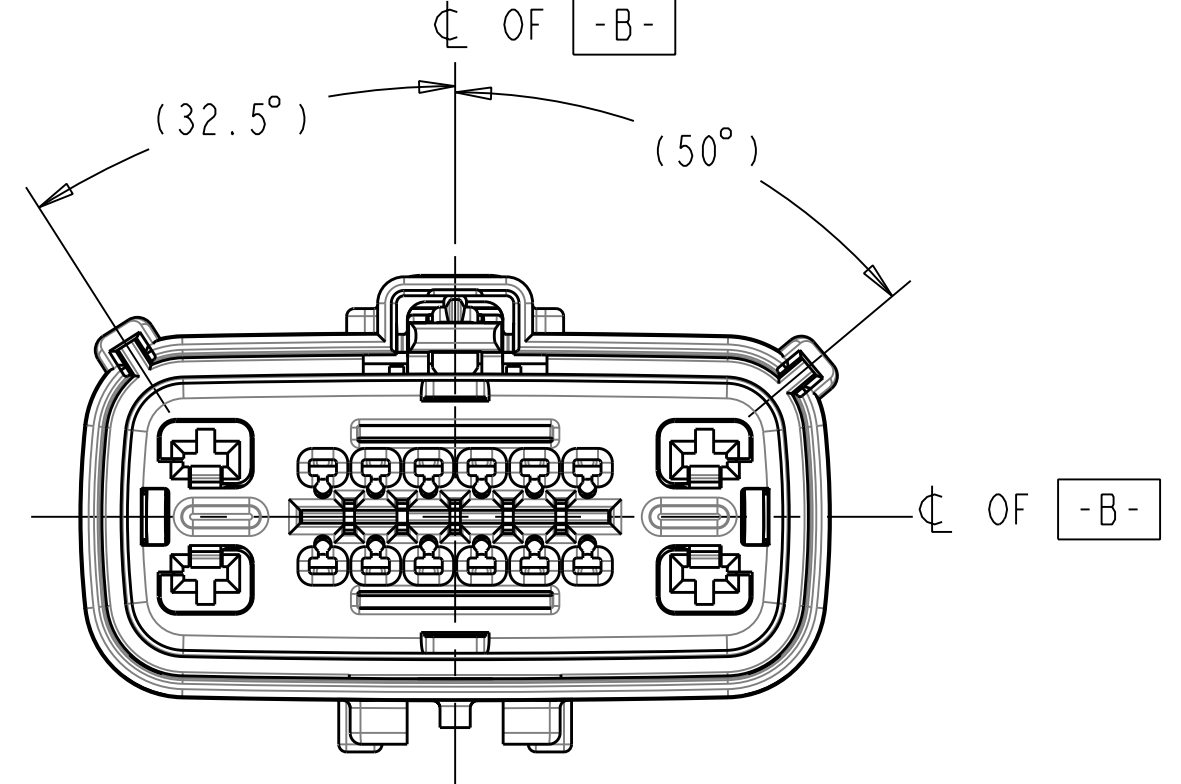
KEYING OPTION C
SCALE 2:1



KEYING OPTION G
SCALE 2:1

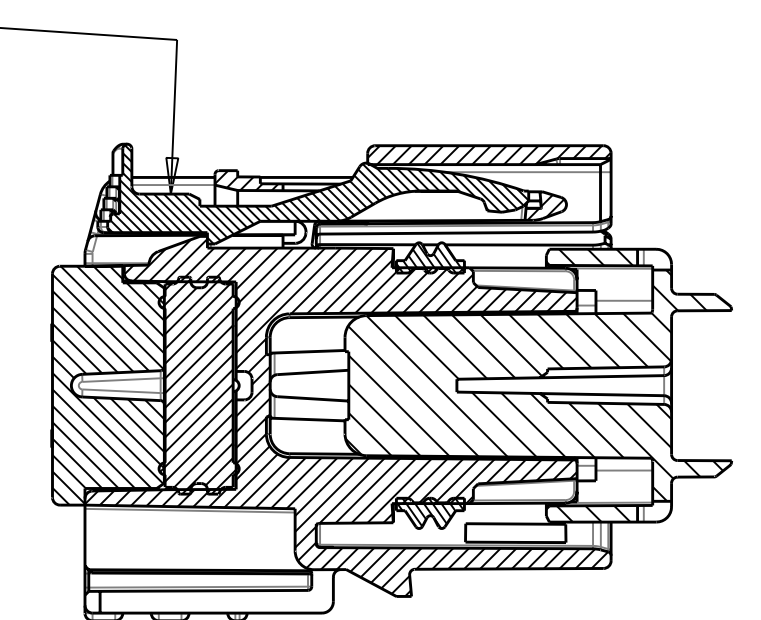


KEYING OPTION D
SCALE 2:1

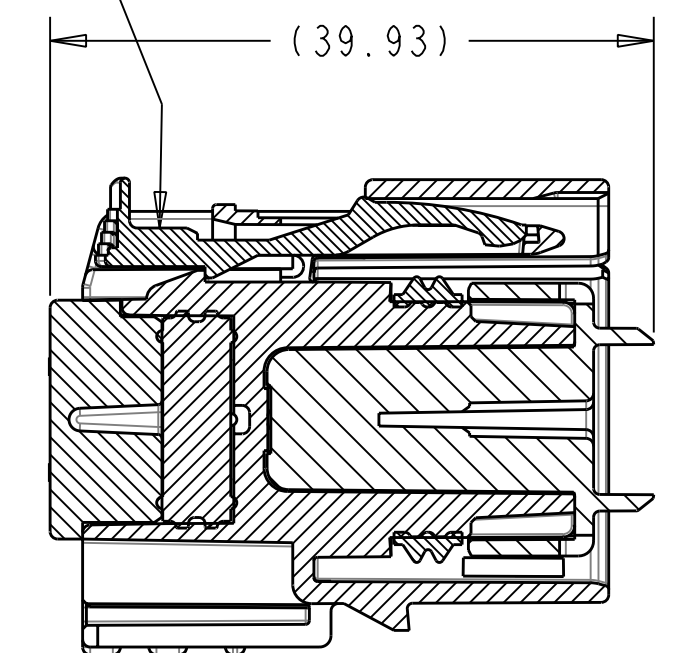


KEYING OPTION H
SCALE 2:1

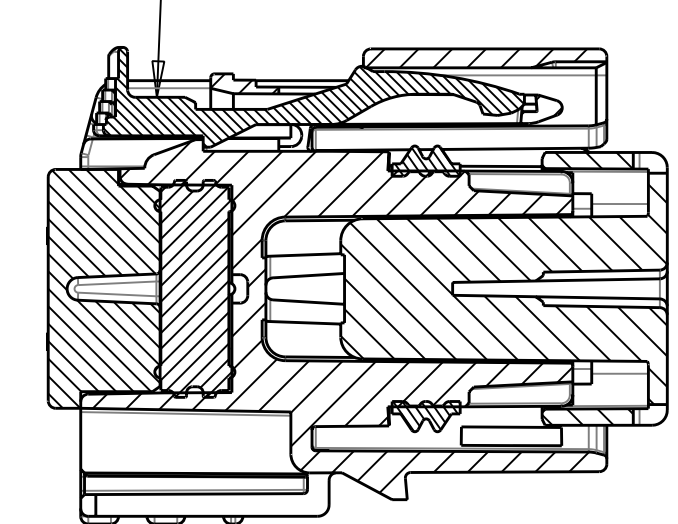
CPA TO BE INSTALLED
IN PRE-LOCK POSITION
AS SHOWN IN BOTH VIEWS,
SEE NOTE #5



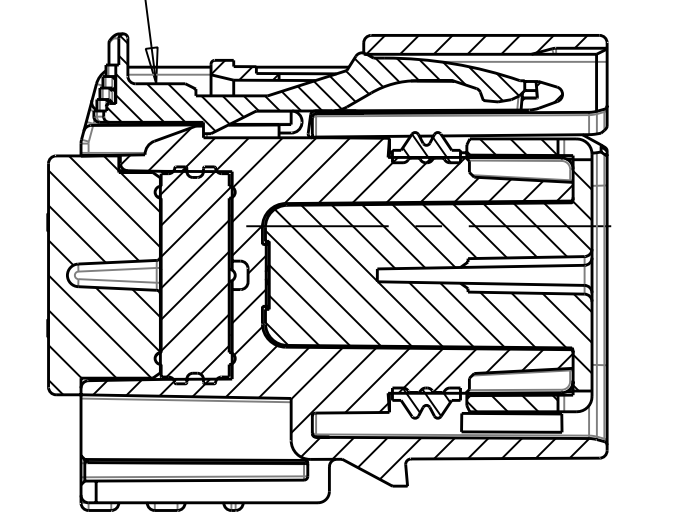
SECTION B-B
(RECEPTACLE INSERT WITH
SHORTING BAR LIFTER
SHOWN IN PRE-LOCK)
SEE NOTE #2



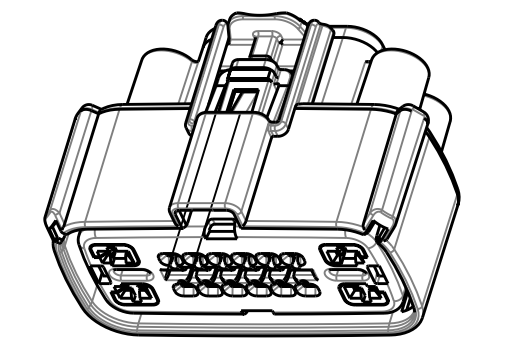
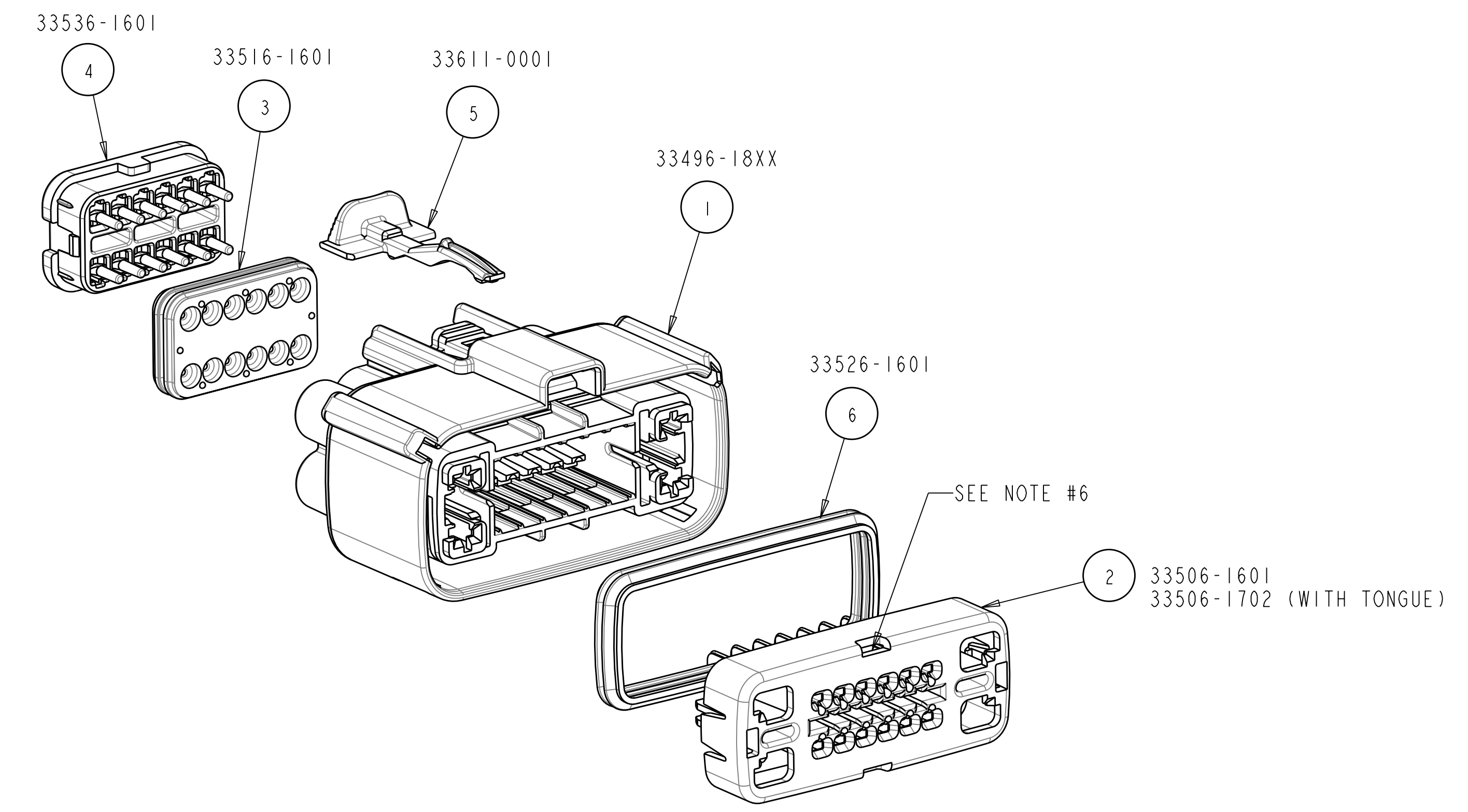
SECTION B-B
(RECEPTACLE INSERT WITH
SHORTING BAR LIFTER
SHOWN IN FULL-LOCK)
SEE NOTE #2



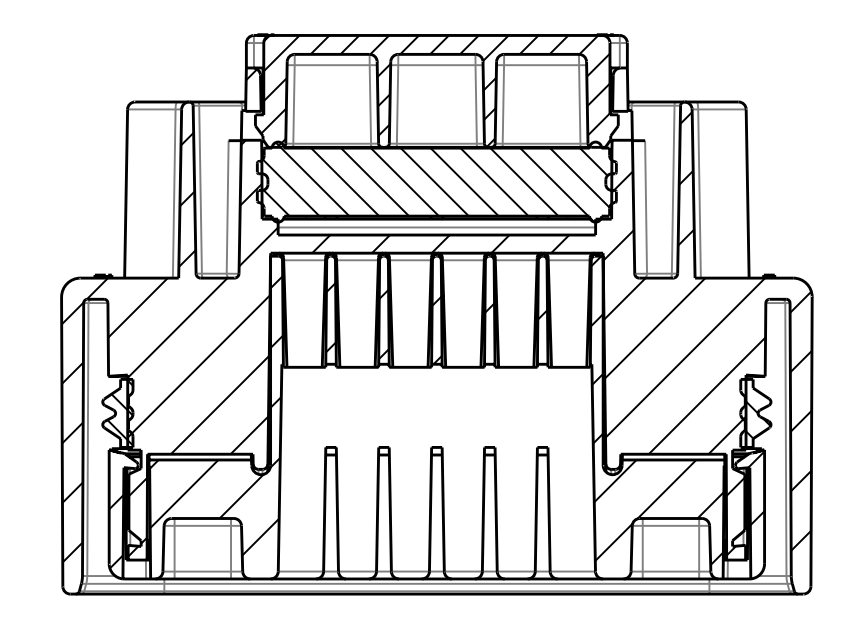
SECTION B-B
(RECEPTACLE INSERT
SHOWN IN PRE-LOCK)
SEE NOTE #2



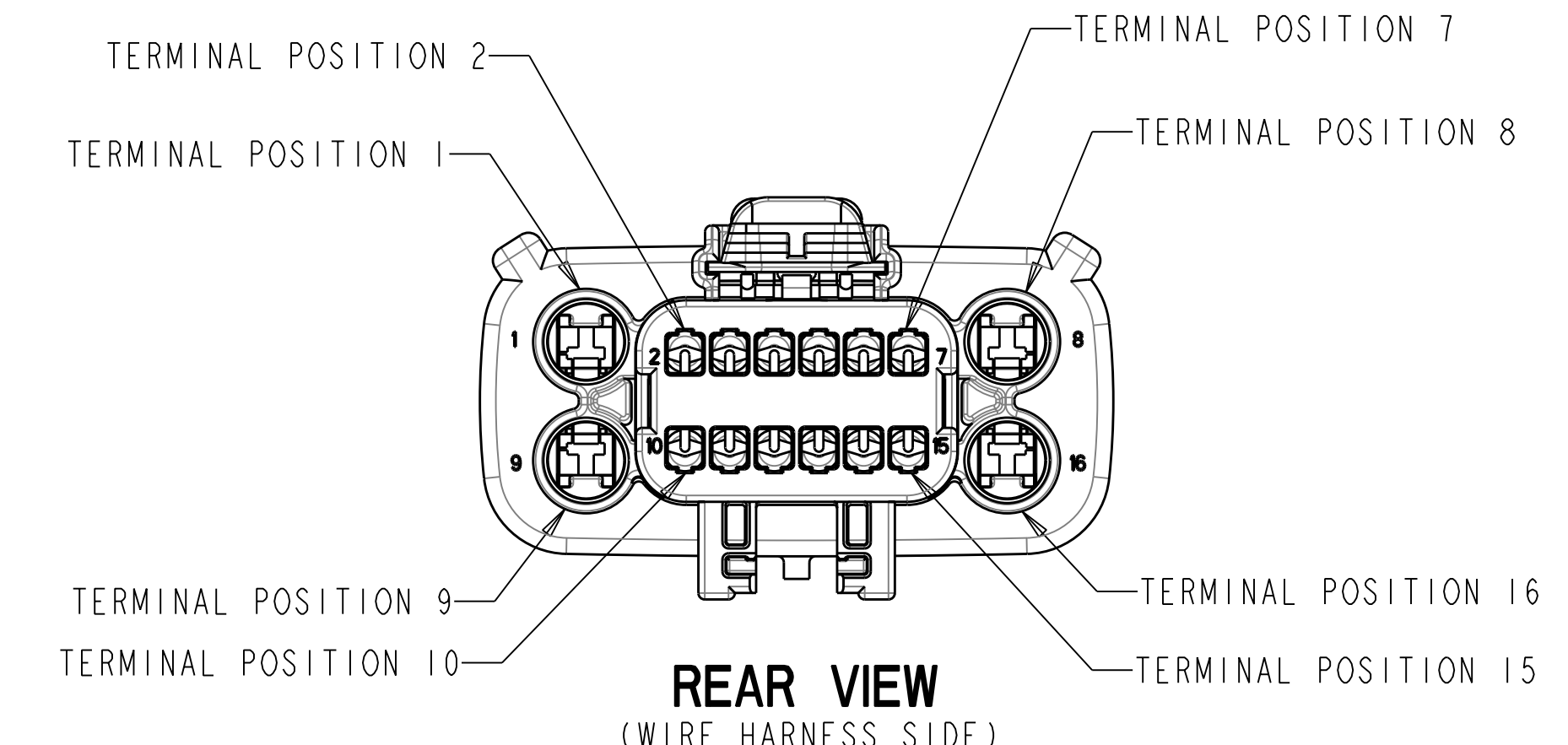
SECTION B-B
(RECEPTACLE INSERT
SHOWN IN FULL-LOCK)
SEE NOTE #2



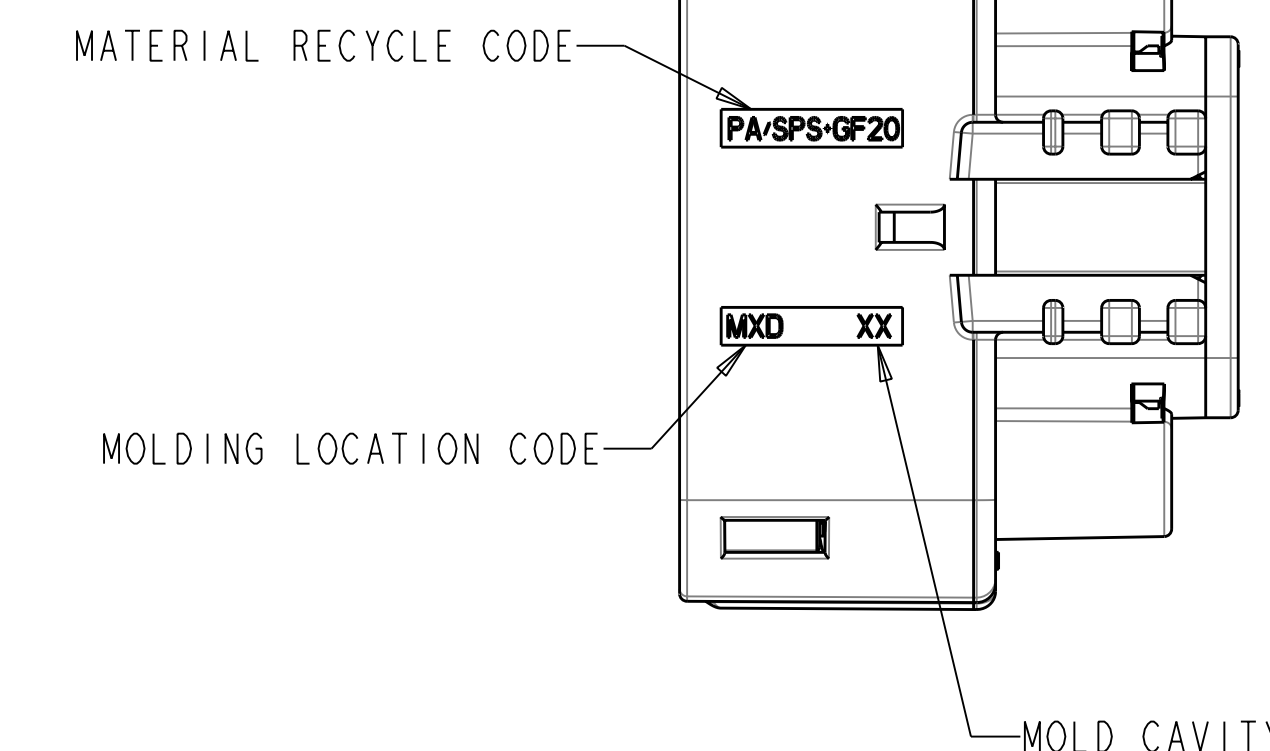
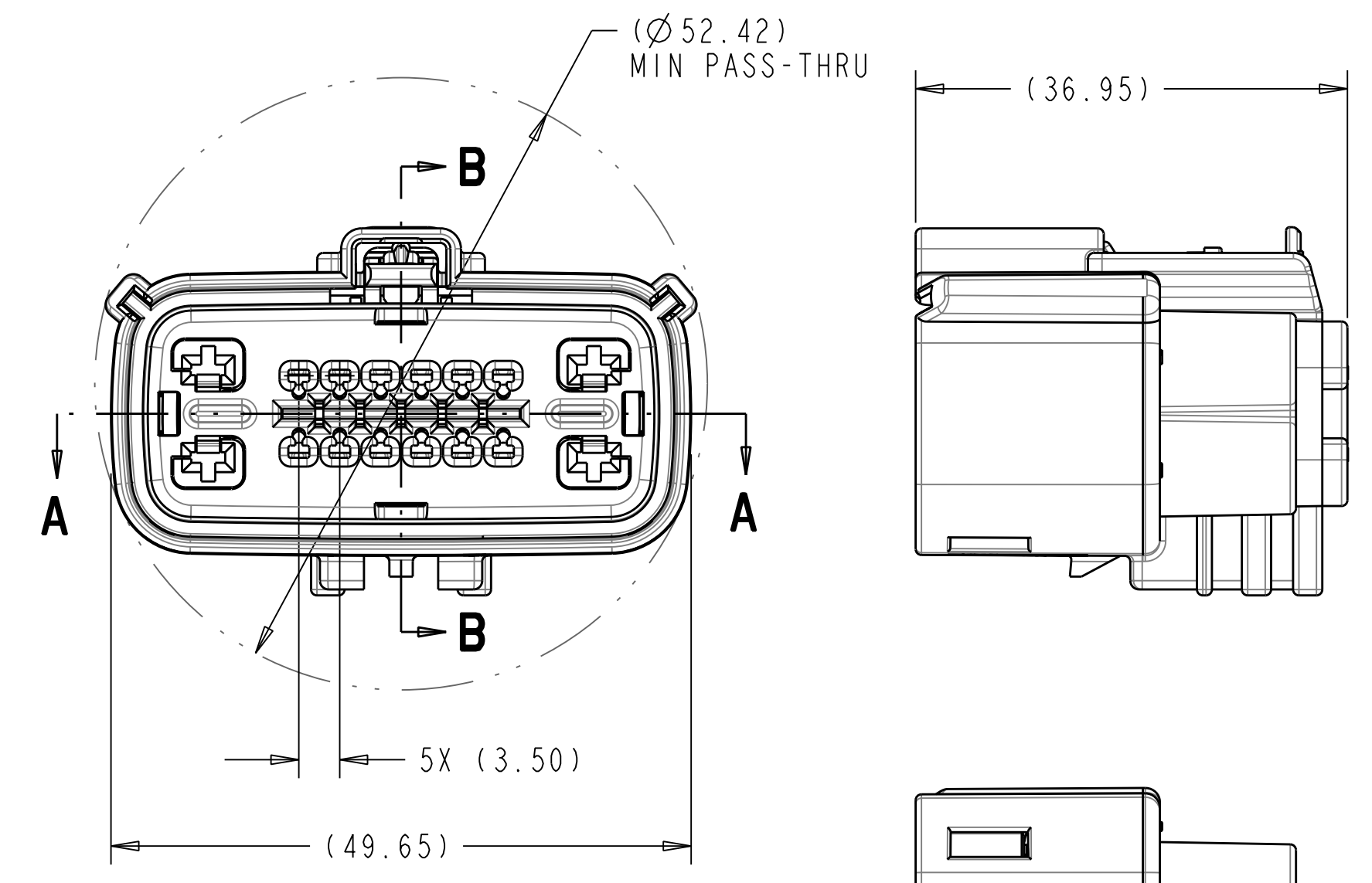
SCALE 1:1



SECTION A-A



REAR VIEW
(WIRE HARNESS SIDE)



- NOTES: UNLESS OTHERWISE SPECIFIED
- DESIGNED TO MATE WITH BLADE HOUSING ASSEMBLY SPECIFIED IN CHARTED DRAWING E-33486-161 OR DEVICE CONNECTION AS SPECIFIED IN DRAWING E-33586-161. SEE CHART.
 - ASSEMBLY SHIPPED WITH RECEPTACLE INSERT IN PRE-LOCK POSITION (SEE SECTION B-B PRE-LOCK). UPON FULL TERMINAL ASSEMBLY, EACH RECEPTACLE INSERT MUST BE SNAPPED INTO ITS FINAL-LOCK POSITION.
 - FOR 1.5mm RECEPTACLE TERMINALS TO BE USED WITH THIS ASSEMBLY, SEE MOLEX DRAWING E-33012-001. FOR FORD 2.8mm FEMALE RECEPTACLE SEE CHART.
 - SYSTEM TO BE USED WITH WIRE WITHIN Ø RANGE OF 1.2mm TO 2.4mm.
 - OPTIONAL CPA SHOWN IN ALL VIEWS. SEE TABLES FOR SPECIFIC ASSEMBLY OPTION AND NUMBER. CPA MUST BE INSERTED TO THE PRE-LOCK POSITION, AS SHOWN IN SECTION B-B. WHEN CORRECTLY SEATED THE CPA DOES NOT MOVE, FREELY.
 - SERVICE WITH SCREWDRIVER.
 - REFER TO TABLE ON SHEET 2 OF THIS DRAWING FOR ALL PART NUMBER CONFIGURATION OPTIONS.
 - REFER TO ASSEMBLY DRAWING E-33476-161 FOR RECEPTACLE WITHOUT CLIP SLOT OPTIONS.
 - 9a. ENGAGEMENT FORCE - NO TERMINALS (PRE TO FINAL): 15N MIN.
9b. ENGAGEMENT FORCE - WITH TERMINALS (PRE TO FINAL): 60N MAX.
9c. DISENGAGEMENT FORCE - WITH TERMINALS (FINAL TO PRE): 18N MIN, 60N MAX.
9d. PARTIALLY INSTALLED TERMINAL DETECTION - 80N MIN OR 40N GREATER THAN (b) WHICHEVER IS GREATER.
9e. REMOVAL FORCE - WITH TERMINALS (FINAL TO OUT OF CONNECTOR): 25N MIN.

TYCO 2.8mm CABLE SEAL TERMINAL	
FORD P/N	GRIP SIZE
IFIT-14474-RA	12
IFIT-14474-JA	14
IFIT-14474-HA	16
IFIT-14474-GA	18
IFIT-14474-FA	20
IFIT-14474-EA	22

EC NO: UAU2005-0053	DRWN: D.GRIFFITHS 08-11-04	CH'K: D.GRIFFITHS 08-11-04	APPR: D.GRIFFITHS 08-11-04
REV	DESCRIPTION	QUALITY SYMBOLS	GENERAL TOLERANCES (UNLESS SPECIFIED)
M			

4 PLACES	± .05	± .0015
3 PLACES	± .05	± .0015
2 PLACES	± 0.10	± .002
1 PLACE	± 0.3	± .005
ANGULAR		± 3°

SCALE	DESIGN UNITS
2:1	mm
DIMENSION STYLE	
mm	
DRAWN BY	DATE
D.GRIFFITHS	05-21-03
CHECKED BY	DATE
D.GRIFFITHS	05-21-03
APPROVED BY	DATE
D.GRIFFITHS	05-21-03

THIRD ANGLE PROJECTION	REVISE ON CAD ONLY
TITLE	
1.5mm/2.8mm HYBRID CONNECTOR, RCPT 2 ROW HOUSING w/ CLIP SLOT SEALED, 16 WAY	
MOLEX MOLEX INCORPORATED	
MATERIAL NO.	DOCUMENT NO.
-	SD-33476-181
SHEET NO.	
1 OF 2	

THIS DRAWING CONTAINS INFORMATION THAT IS PROPRIETARY TO MOLEX INCORPORATED AND SHOULD NOT BE USED WITHOUT WRITTEN PERMISSION

	ASSEMBLY PART NUMBER	HOUSING PART NUMBER	COLOR	KEYING OPTION	MAT SEAL CAP	CAVITY TYPE & STATUS (X = PLUGGED)										CPA	INTERFACE SEAL	MAT SEAL	INSERT/TPA		
						2	3	4	5	6	7	10	11	12	13					14	15
T	33476-1713	33496-1806	BLACK	E	33536-1601													-	33526-1601	33516-1601	33506-1702
	33476-1841	33496-1801	BLACK	A	33536-1601													-	33526-1601	33516-1601	33506-1601
	33476-1848	33496-1801	BLACK	A	33536-1601	X												33611-0001	33526-1601	33516-1601	33506-1601
	33476-1849	33496-1801	BLACK	A	33536-1601													33611-0001	33526-1601	33516-1601	33506-1601
S	33476-1850	33496-1801	BLACK	A	33536-1601	X				X	X					X		-	33526-1601	33516-1601	33506-1601
	33476-1851	33496-1807	LT. GRAY	F	33536-1601	X	X			X	X					X	X	-	33526-1601	33516-1601	33506-1702
	33476-1852	33496-1807	LT. GRAY	F	33536-1601					X						X	X	-	33526-1601	33516-1601	33506-1702
	33476-1853	33496-1807	LT. GRAY	F	33536-1601	X	X			X						X		-	33526-1601	33516-1601	33506-1702
	33476-1854	33496-1807	LT. GRAY	F	33536-1601					X						X		-	33526-1601	33516-1601	33506-1702
	33476-1855	33496-1807	LT. GRAY	F	33536-1601	X				X		X	X			X		-	33526-1601	33516-1601	33506-1702
R	33476-1856	33496-1807	LT. GRAY	F	33536-1601					X						X		-	33526-1601	33516-1601	33506-1702
	33476-1857	33496-1807	LT. GRAY	F	33536-1601					X			X	X				-	33526-1601	33516-1601	33506-1702
	33476-1858	33496-1807	LT. GRAY	F	33536-1601	X	X			X								-	33526-1601	33516-1601	33506-1702
	33476-1859	33496-1807	LT. GRAY	F	33536-1601					X								-	33526-1601	33516-1601	33506-1702
	33476-1860	33496-1807	LT. GRAY	F	33536-1601	X	X	X	X	X		X						-	33526-1601	33516-1601	33506-1702
O	33476-1861	33496-1801	BLACK	A	33536-1601	X	X	X				X	X			X		-	33526-1601	33516-1601	33506-1601
	33476-1862	33496-1806	BLACK	E	33536-1601	X										X		-	33526-1601	33516-1601	33506-1702
	33476-1875	33496-1806	BLACK	E	33536-1601							X	X			X		-	33526-1601	33516-1601	33506-1702
	33476-1876	33496-1806	BLACK	E	33536-1601					X	X	X	X			X		-	33526-1601	33516-1601	33506-1702
	33476-1877	33496-1806	BLACK	E	33536-1601											X	X	-	33526-1601	33516-1601	33506-1702
P	33476-1878	33496-1806	BLACK	E	33536-1601										X			-	33526-1601	33516-1601	33506-1702
	33476-1881	33496-1801	BLACK	A	33536-1601					X	X					X		-	33526-1601	33516-1601	33506-1601
	33476-1891	33496-1801	BLACK	A	33536-1601	X	X			X								-	33526-1601	33516-1601	33506-1601
	33476-1892	33496-1806	BLACK	E	33536-1601	X	X									X	X	-	33526-1601	33516-1601	33506-1702
	33476-1893	33496-1806	BLACK	E	33536-1601							X	X			X	X	-	33526-1601	33516-1601	33506-1702
	33476-1894	33496-1807	LT. GRAY	F	33536-1601										X	X	X	-	33526-1601	33516-1601	33506-1702
O	33476-1895	33496-1809	YELLOW	H	33536-1601													-	33526-1601	33516-1601	33506-1702
	33476-1896	33496-1809	YELLOW	H	33536-1601											X		-	33526-1601	33516-1601	33506-1702
	33476-1897	33496-1807	LT. GRAY	F	33536-1601					X	X	X	X	X	X	X	X	-	33526-1601	33516-1601	33506-1702
	33476-1898	33496-1807	LT. GRAY	F	33536-1601					X		X	X	X	X	X	X	-	33526-1601	33516-1601	33506-1702
	33476-1899	33496-1809	YELLOW	H	33536-1601					X	X	X	X			X		-	33526-1601	33516-1601	33506-1702
N	33476-1900	33496-1809	YELLOW	H	33536-1601					X		X	X			X		-	33526-1601	33516-1601	33506-1702
	33476-2201	33496-1806	BLACK	E	33536-1601													-	33526-1601	33516-1601	33506-1702
	33476-2202	33496-1807	LT. GRAY	F	33536-1601	X	X			X	X					X	X	-	33526-1601	33516-1601	33506-1702
	33476-2203	33496-1807	LT. GRAY	F	33536-1601					X								-	33526-1601	33516-1601	33506-1702
	33476-2204	33496-1807	LT. GRAY	F	33536-1601	X	X			X						X		-	33526-1601	33516-1601	33506-1702
M	33476-2205	33496-1807	LT. GRAY	F	33536-1601					X						X		-	33526-1601	33516-1601	33506-1702
	33476-2206	33496-1807	LT. GRAY	F	33536-1601	X				X		X	X					-	33526-1601	33516-1601	33506-1702
	33476-2207	33496-1807	LT. GRAY	F	33536-1601					X						X		-	33526-1601	33516-1601	33506-1702
	33476-2208	33496-1807	LT. GRAY	F	33536-1601					X		X	X					-	33526-1601	33516-1601	33506-1702
	33476-2209	33496-1807	LT. GRAY	F	33536-1601	X	X			X		X						-	33526-1601	33516-1601	33506-1702
L	33476-2210	33496-1807	LT. GRAY	F	33536-1601							X						-	33526-1601	33516-1601	33506-1702
	33476-2211	33496-1807	LT. GRAY	F	33536-1601	X	X	X	X	X								-	33526-1601	33516-1601	33506-1702

EC NO: UAU2005-0053 DRWN: D.GRIFFITHS 08-11-04 CHK: D.GRIFFITHS 08-11-04 APPR: D.GRIFFITHS 08-11-04	QUALITY SYMBOLS	GENERAL TOLERANCES (UNLESS SPECIFIED)	SCALE 2.000	DESIGN UNITS mm	THIRD ANGLE PROJECTION	REVISE ON CAD ONLY	
	-0 -0	mm	INCH	DIMENSION STYLE mm		TITLE 1.5mm/2.8mm HYBRID CONNECTOR, RCPT 2 ROW HOUSING w/ CLIP SLOT SEALED, 16 WAY	
		4 PLACES	± .01	± .0008	DRAWN BY	DATE	MOLEX INCORPORATED
		3 PLACES	± .01	± .0008	D.GRIFFITHS	05-21-03	
		2 PLACES	± 0.10	± .004	CHECKED BY	DATE	APPROVED BY D.GRIFFITHS 05-21-03
1 PLACE	± 0.3	± .016	D.GRIFFITHS	05-21-03	DOCUMENT NO. SD-33476-181	SHEET NO. 2 OF 2	
REV	DESCRIPTION	ANGULAR ± 3°	THIS DRAWING CONTAINS INFORMATION THAT IS PROPRIETARY TO MOLEX INCORPORATED AND SHOULD NOT BE USED WITHOUT WRITTEN PERMISSION				

TABLE OF CONTENTS	
SHEET NO.	SHEET DESCRIPTION
1	NOTES AND BOM
2	CONFIGURATIONS
3	KEY CONFIGURATIONS
4	BLADE SEALED ASSEMBLY
5	SYSTEM PACKAGING

NOTES: VALID UNLESS OTHERWISE SPECIFIED

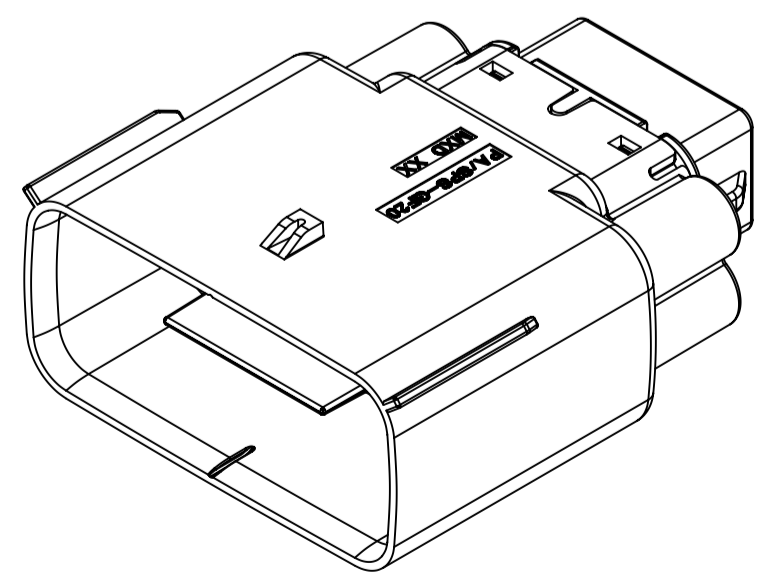
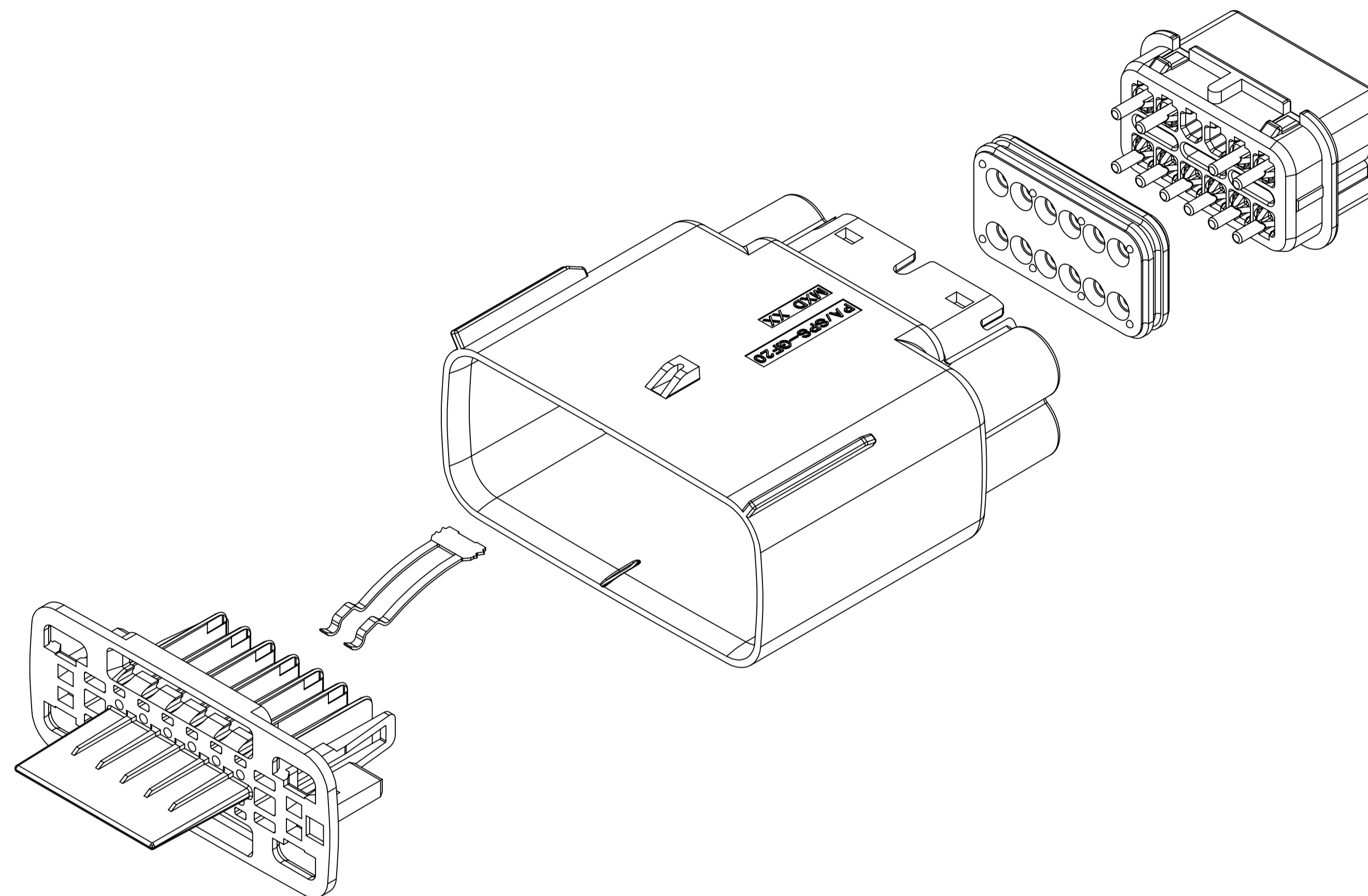
1. GENERAL:
- a. APPLICATION SPECIFICATION SEE: AS-33472-100
- CONTAINS: PRODUCT INTRODUCTION, PRODUCT SUMMARY, CONNECTOR ASSEMBLY, PACKAGING INFORMATION, CONNECTOR MATING, SERVICE INSTRUCTIONS, ELECTRICAL CONTINUITY CHECKING, CRIMPING, AND TROUBLESHOOTING.
 - DESIGNED TO MATE WITH RECEPTACLE SEALED ASSEMBLY AS SPECIFIED IN SD-34985-8001, SD-33476-161, OR SD-33476-181.
 - FOR SHORTING BAR APPLICATIONS RECEPTACLE SEALED ASSEMBLY CONFIGURATION MUST CONTAIN A PLR WITH SHORTING BAR LIFTER.
 - FOR 1.5mm BLADE TERMINALS TO BE USED WITH THE SHORTING BAR CIRCUIT LOCATIONS SEE MOLEX DRAWING SD-31296-001.
 - SHORTING BAR TERMINALS TO BE USED WITH WIRE DIAMETER RANGE OF 1.7mm TO 2.06mm.
 - SHORTING BAR TERMINAL CRIMP ANGLE MUST BE BETWEEN -1.4 DEG. AND +3.5 DEG. AFTER INSTALLATION INTO THE CONNECTOR ASSEMBLY. REFER TO MOLEX DRAWING SD-31296-001 FOR DETAILS.
 - FOR 1.5mm BLADE TERMINALS TO BE USED WITH THE NON-SHORTING BAR CIRCUIT LOCATIONS SEE MOLEX DRAWING SD-33000-001.
 - NON-SHORTING BAR TERMINALS TO BE USED WITH WIRE WITHIN DIAMETER RANGE OF 1.2mm TO 2.69mm.
 - FOR 2.8mm TERMINALS TO BE USED WITH THIS ASSEMBLY SEE TABLE.
 - 2.8mm TERMINALS TO BE USED WITH WIRE WITHIN DIAMETER RANGE OF 1.50mm TO 3.30mm.
 - ASSEMBLY SHIPPED WITH PLR IN PRE-LOCK POSITION (SEE PLR PRE-LOCK VIEW SHEET 4).
 - ASSEMBLY CONFORMS TO SAE-USCAR-2 REV.4 WITH THE FOLLOWING EXCEPTIONS:
 - TERMINAL INSERTION FORCE FOR WIRE DIAMETER ABOVE 2.5mm NOT EXCEEDING 2.69mm SHALL NOT EXCEED 45 NEWTONS.
 - PLR REMOVAL FROM FINAL-LOCK TO PRE-LOCK SHALL NOT EXCEED 75 NEWTONS.
- b. PRODUCT SPECIFICATION SEE: PS-33476-000
- CONTAINS: PRODUCT INTRODUCTION, PRODUCT SUMMARY, RATINGS (CURRENT, TEMPERATURE, SEALING, AND FLAMMABILITY), TERMINALS, WIRE DIAMETER RANGE, PRODUCT VALIDATION, AND PRODUCT DEVIATIONS.
- c. PACKAGING SPECIFICATION PER MOLEX DRAWING: PK-31300-514
- d. PARTS MUST BE IN COMPLIANCE TO MOLEX CHEMICAL SUBSTANCES FOR PRODUCTS AND PACKAGING SPECIFICATION: QEHS-699000-300
- e. DATA MUST BE SUBMITTED UNDER THE MOLEX PART NUMBER TO IMDS (COMPANY ID#13255)

2. DESIGN - MATERIALS:

- a. SEE BOM TABLE IN SD-34986-8002

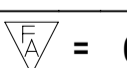
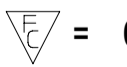
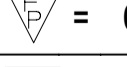

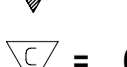
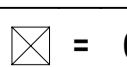

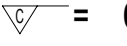

3. DESIGN - GEOMETRY:

- a. THE 3-D CAD DATA IS BASIC (WITHOUT TOLERANCE) AND MASTER FOR THIS PART WITH THE EXCEPTION OF UNDERLINED DIMENSIONS. DIMENSIONAL INFORMATION NOT SHOWN ON THIS DRAWING IS DEFINED BY THE DATA FILE AT ITS LATEST REVISION.
- b. GEOMETRIC DIMENSIONS AND TOLERANCES PER ASME Y14.5M-2009
- c. EDGES AND UNDIMENSIONED DETAILS PER ISO13715
- d. CORNERS SHOWN AS SHARP TO BE R 0.2 MAX.
- e. LETTERING SHALL BE 0.15 MAX RAISED IN 0.25 MAX RECESS PAD. THIS INCLUDES RECYCLING CODE, CAVITY ID, VENDOR IDENTIFICATION, AND CUSTOMER MATERIAL NUMBER.
- f. VISUAL DEFECTS SHALL MEET COSMETIC STANDARD PS-45499-002 (Class B).
- g. LASER MARKING:
- PART NUMBER
 - DAY OF THE YEAR
 - SHIFT
 - YEAR
- FOR ADDITIONAL INFORMATION SEE SECTION 5 UNDER PROCEDURES IN ES-34735-008.



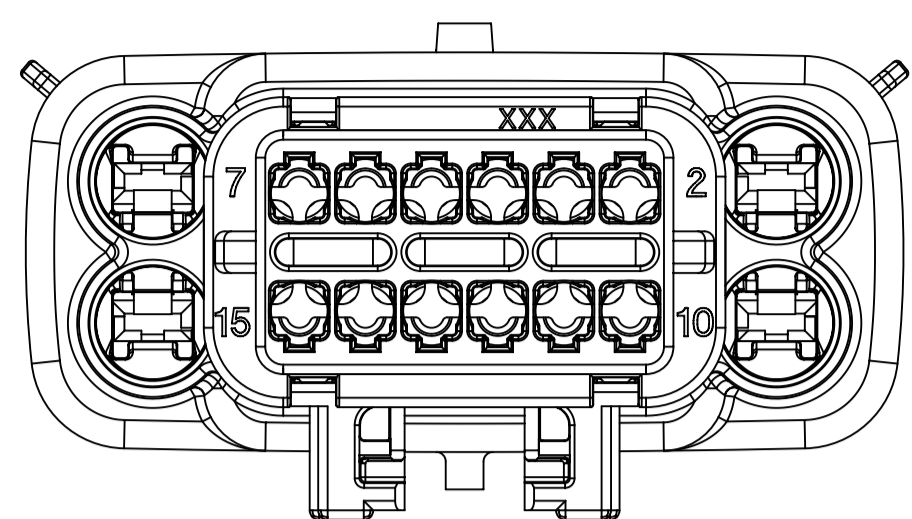
TYCO 2.8mm CABLE SEAL TERMINAL	
FORD P/N MALE BLADE	GRIP SIZE
3F2T-14421-GA	12
IFIT-14421-JA	14
IFIT-14421-HA	16
IFIT-14421-GA	18
IFIT-14421-FA	20
IFIT-14421-EA	22

INSPECTION NUMBER LOG	
REV	REV DESCRIPTION
C1	1. UPDATED THE VIEWS IN SHEET 2 2. CHANGED THE DIM 15.00+/-0.10 TO 15.00+0.30/-0.20 IN SHEET 4
C	REDRAWN MOVED BOM TO SD-34986-8002

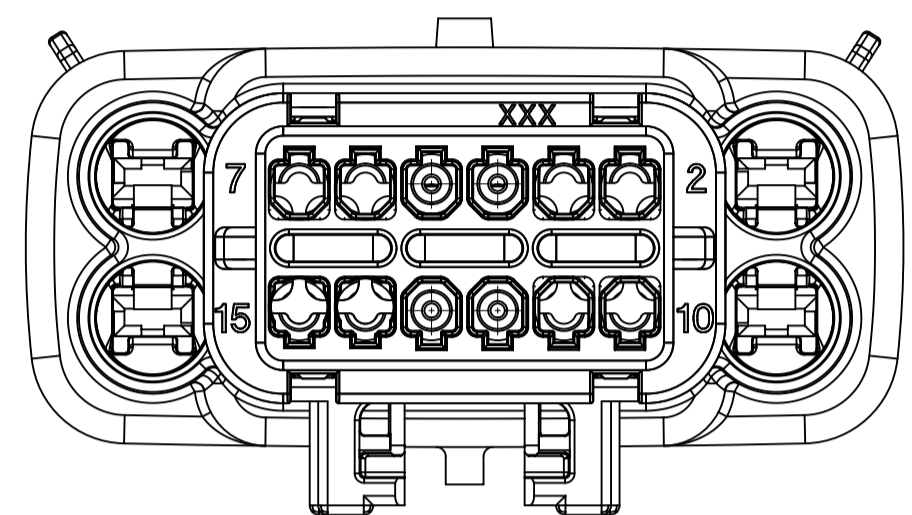
SYMBOLS  = 0  = 0  = 0  = 0  = 0  = 0  = 0  = 0	THIS DRAWING CONTAINS INFORMATION THAT IS PROPRIETARY TO MOLEX ELECTRONIC TECHNOLOGIES, LLC AND SHOULD NOT BE USED WITHOUT WRITTEN PERMISSION DIMENSION UNITS: mm SCALE: 1.5:1 GENERAL TOLERANCES (UNLESS SPECIFIED) ANGULAR TOL ± 3.0°	CURRENT REV DESC: EC NO: 177763 DRWN: LSONG05 2018/05/30 CHK'D: MVANSLAMBROU 2018/06/12 APPR: MVANSLAMBROU 2018/06/12 INITIAL REVISION: DRWN: APROFFITT 2013/05/06 APPR: VKOSHY 2013/05/16	 MX150 16 WAY HYBRID BLADE SEALED ASSEMBLY PRODUCT CUSTOMER DRAWING
	DRAFT WHERE APPLICABLE MUST REMAIN WITHIN DIMENSIONS THIRD ANGLE PROJECTION DRAWING: A1-SIZE SERIES: 34986	DOCUMENT NUMBER: SD-34986-8001 DOC TYPE: PSD DOC PART: 001 REVISION: C1	MATERIAL NUMBER: 34986 CUSTOMER: GENERAL MARKET SHEET NUMBER: 1 OF 5

SHEET DESCRIPTION

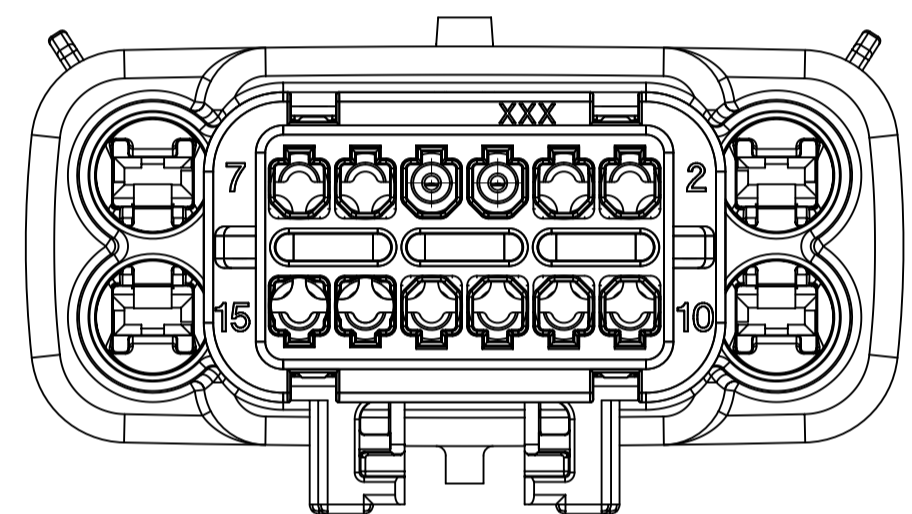
CONFIGURATIONS



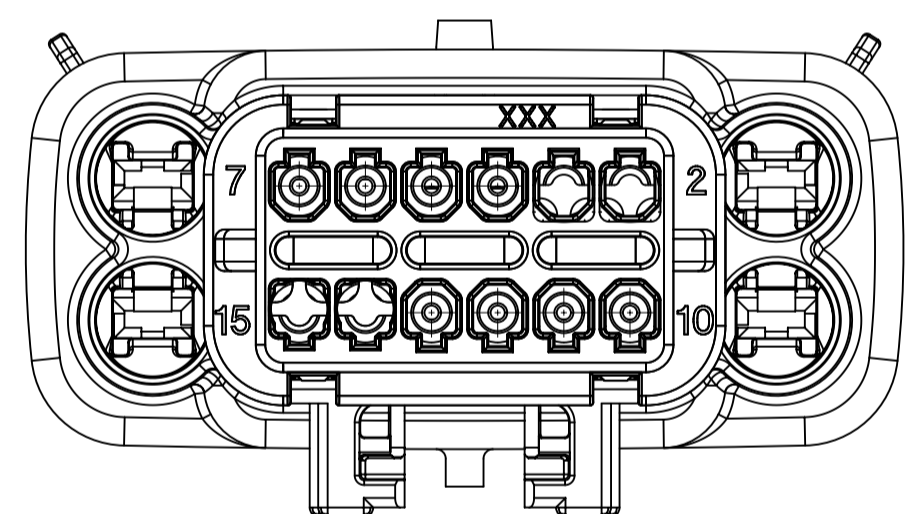
STANDARD GROMMET CAP



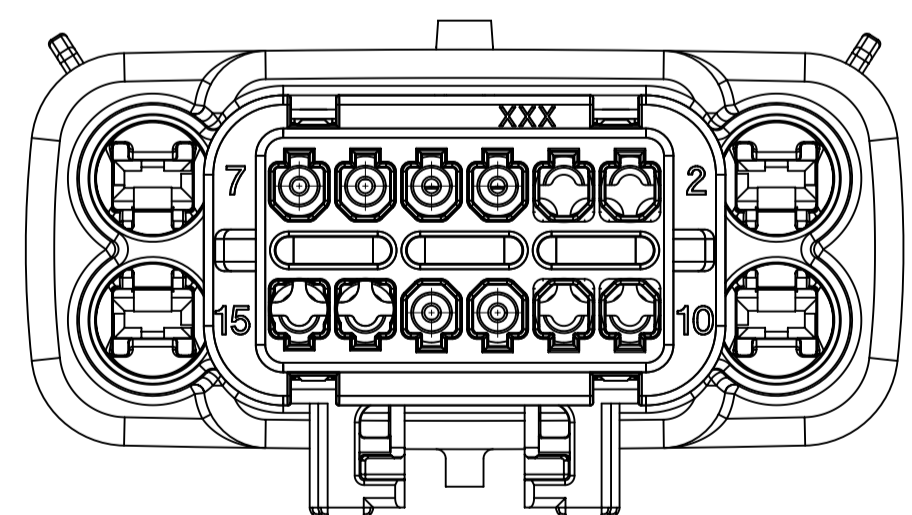
SHORTING BAR GROMMET CAP 1



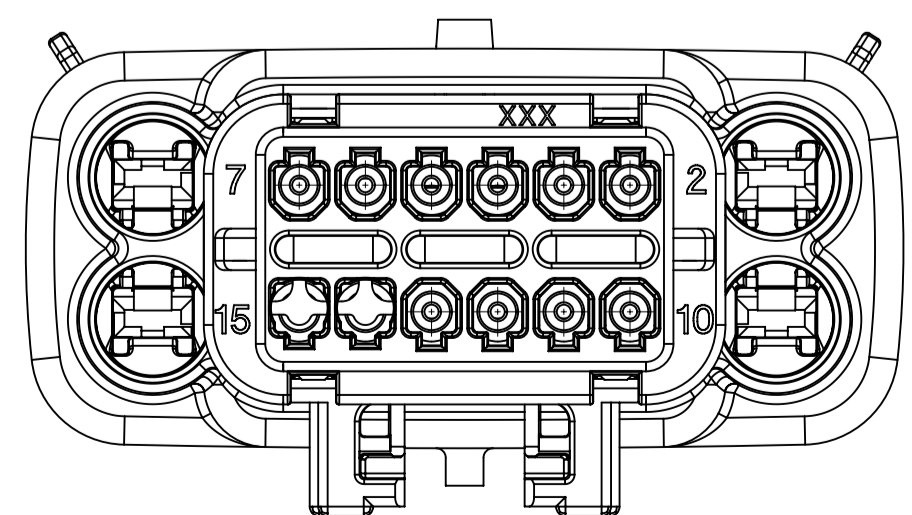
SHORTING BAR GROMMET CAP 2



SHORTING BAR GROMMET CAP 3



SHORTING BAR GROMMET CAP 4

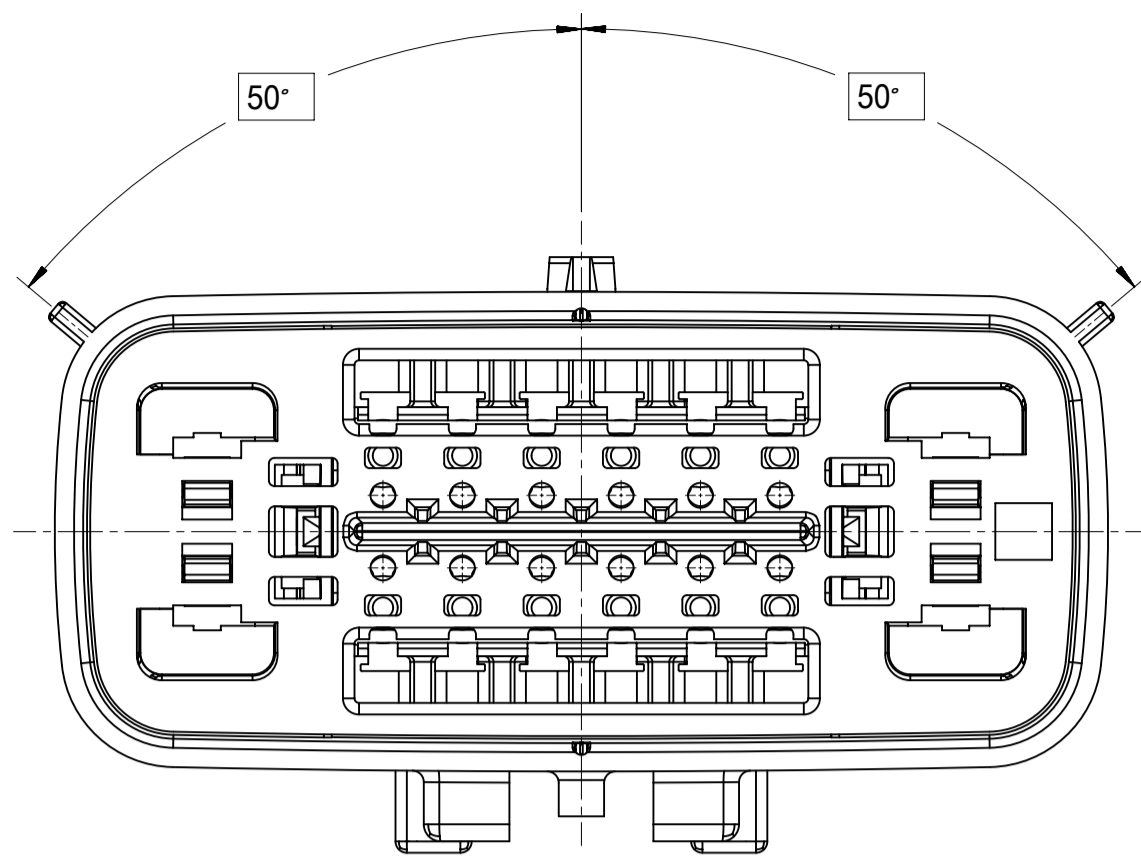


SHORTING BAR GROMMET CAP 5

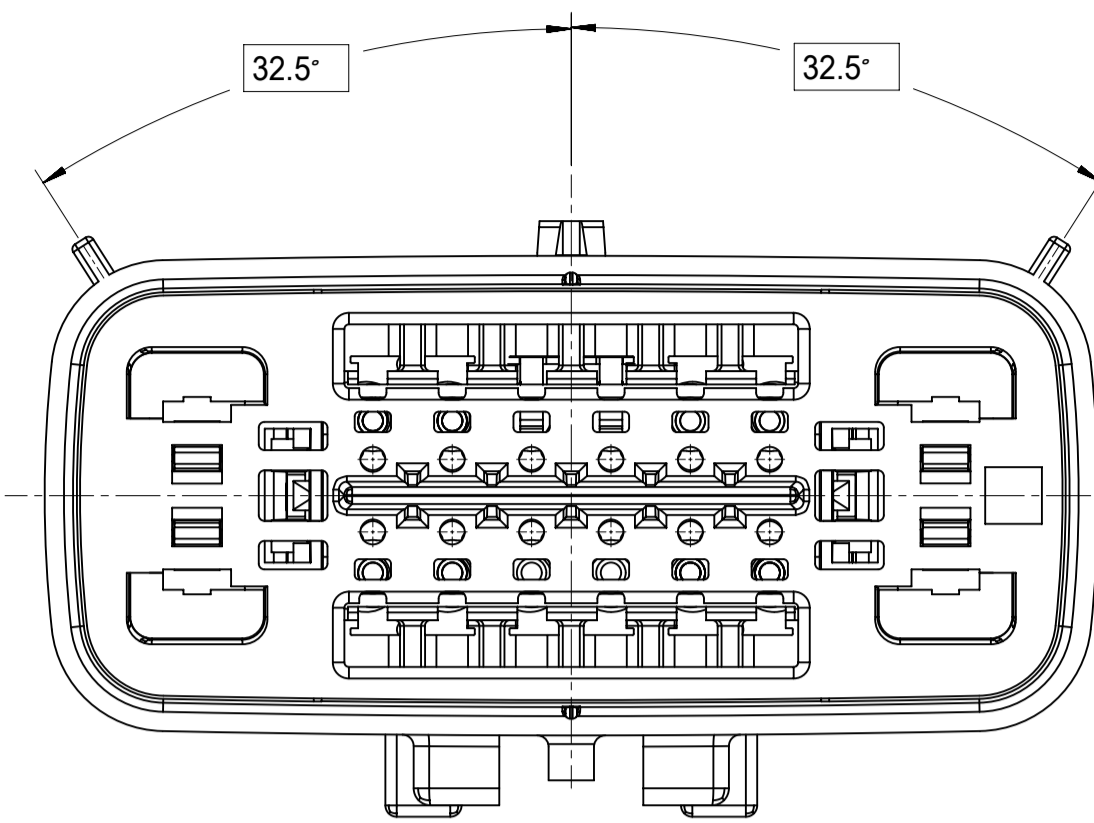
SYMBOLS	THIS DRAWING CONTAINS INFORMATION THAT IS PROPRIETARY TO MOLEX ELECTRONIC TECHNOLOGIES, LLC AND SHOULD NOT BE USED WITHOUT WRITTEN PERMISSION		CURRENT REV DESC:				
	DIMENSION UNITS	SCALE					
▽ = 0	mm	2.5:1	GENERAL TOLERANCES (UNLESS SPECIFIED)		PRODUCT CUSTOMER DRAWING DOCUMENT NUMBER: SD-34986-8001 DOC TYPE: PSD DOC PART: 001 REVISION: C1		
▽ = 0							
▽ = 0	ANGULAR TOL ± 3.0°		INITIAL REVISION:		MATERIAL NUMBER: 34986 CUSTOMER: GENERAL MARKET SHEET NUMBER: 2 OF 5		
▽ = 0	4 PLACES	±					
▽ = 0	3 PLACES	±	DRAFT WHERE APPLICABLE MUST REMAIN WITHIN DIMENSIONS		THIRD ANGLE PROJECTION DRAWING: A1-SIZE SERIES: 34986		
▽ = 0	2 PLACES	± 0.1					
▽ = 0	1 PLACE	± 0.3	DRAFT WHERE APPLICABLE MUST REMAIN WITHIN DIMENSIONS		THIRD ANGLE PROJECTION DRAWING: A1-SIZE SERIES: 34986		
▽ = 0	0 PLACES	±					

SHEET DESCRIPTION

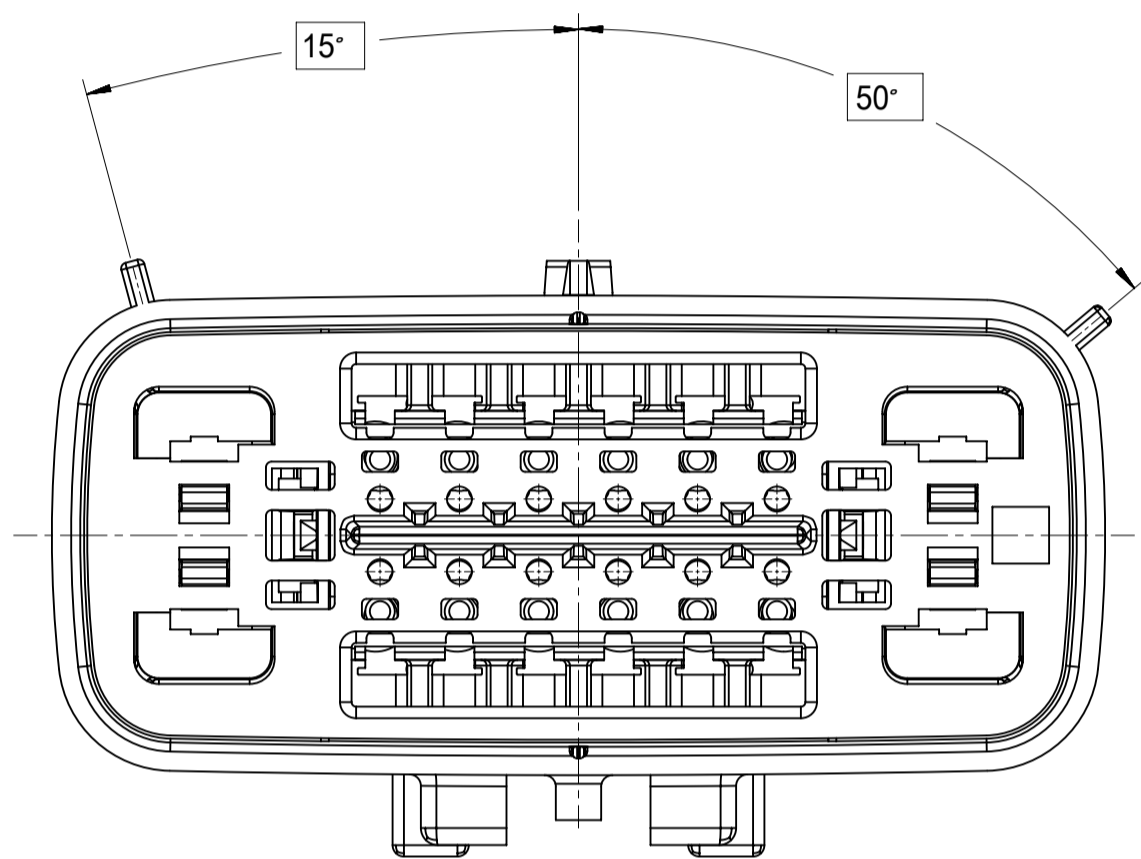
KEY CONFIGURATIONS



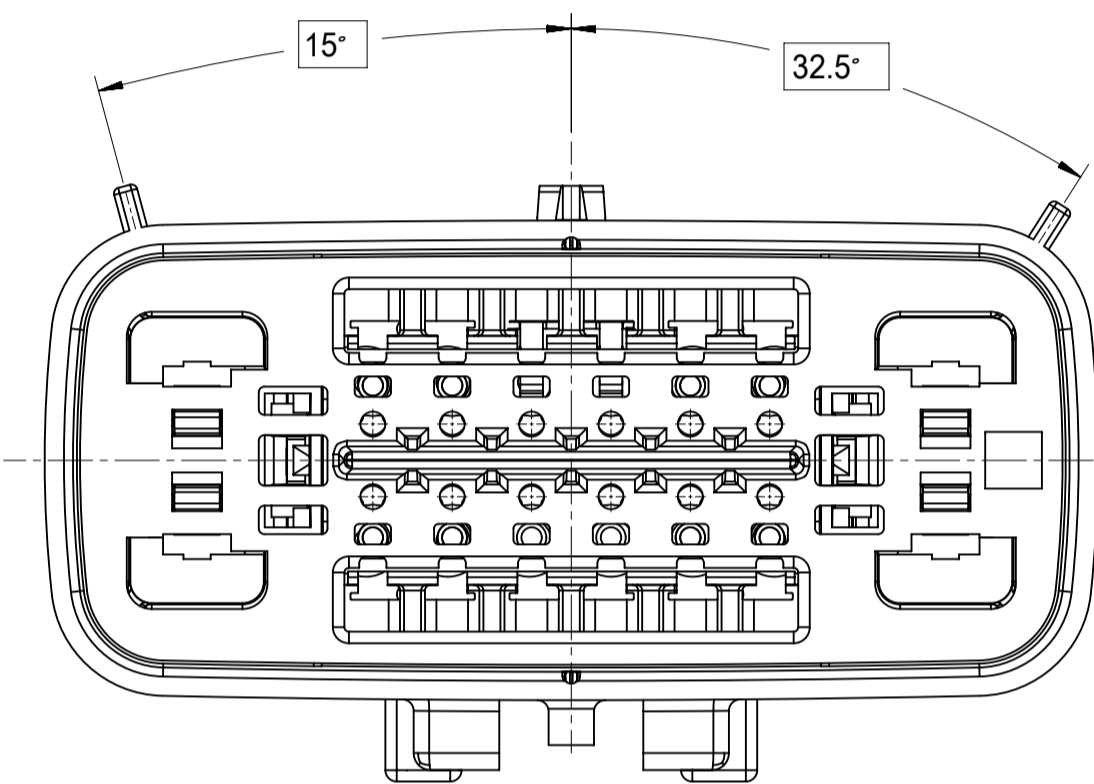
KEY A



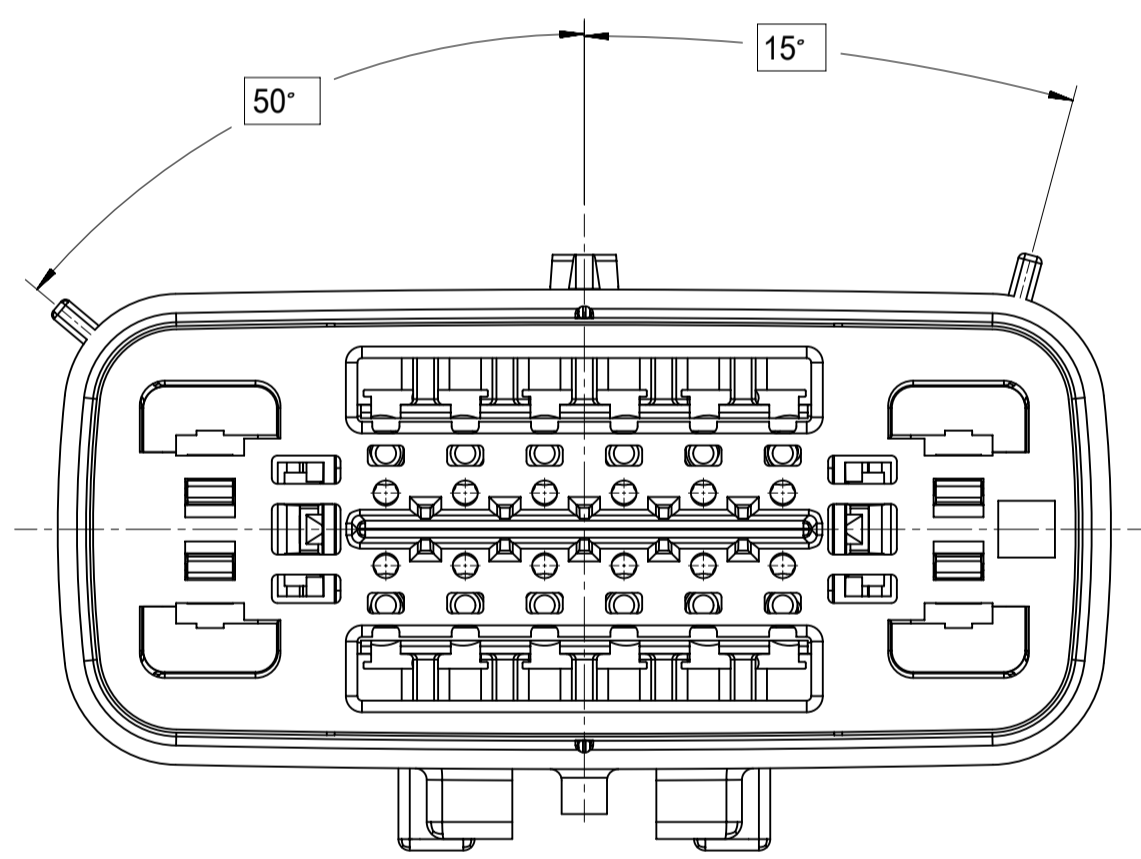
KEY E



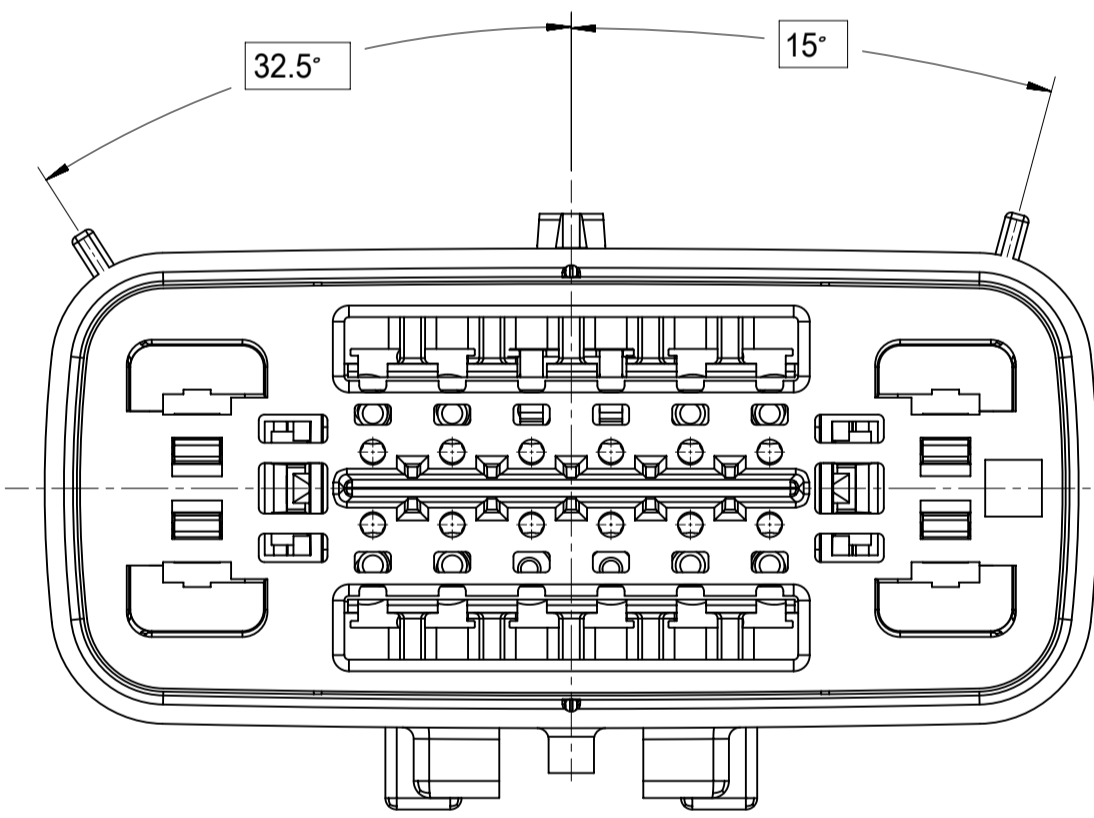
KEY B



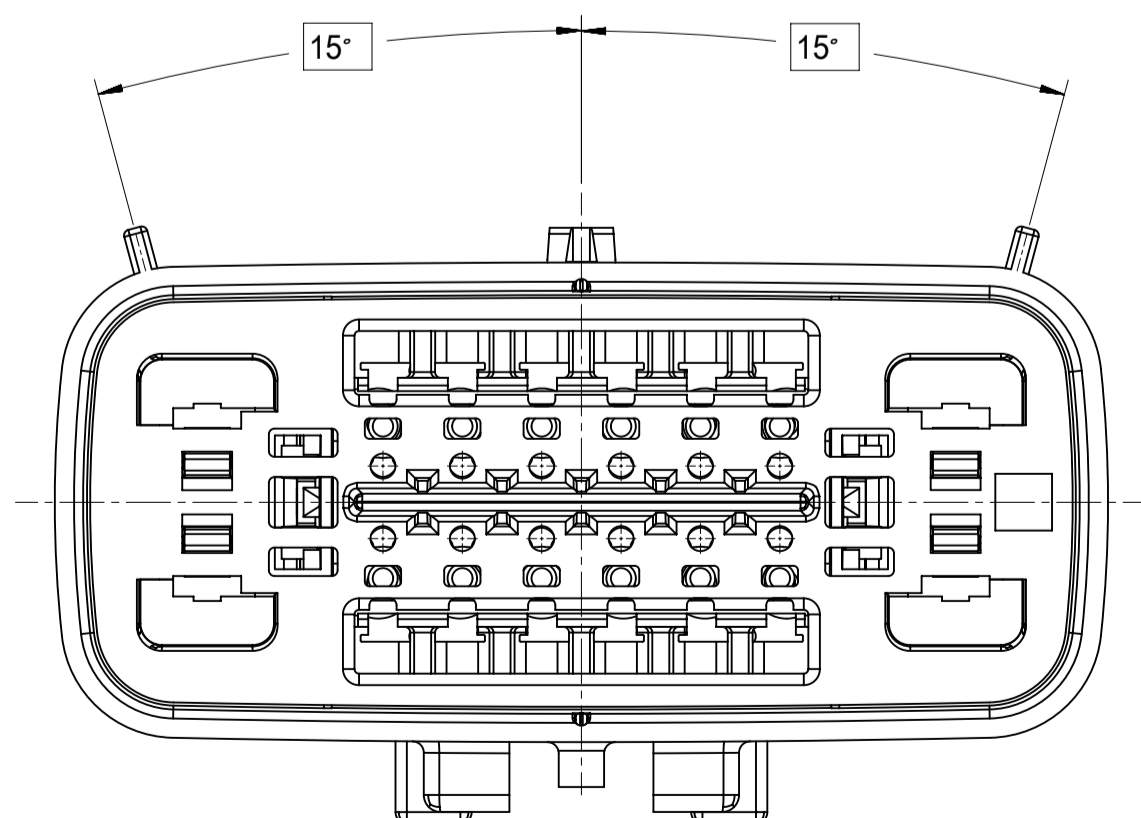
KEY F



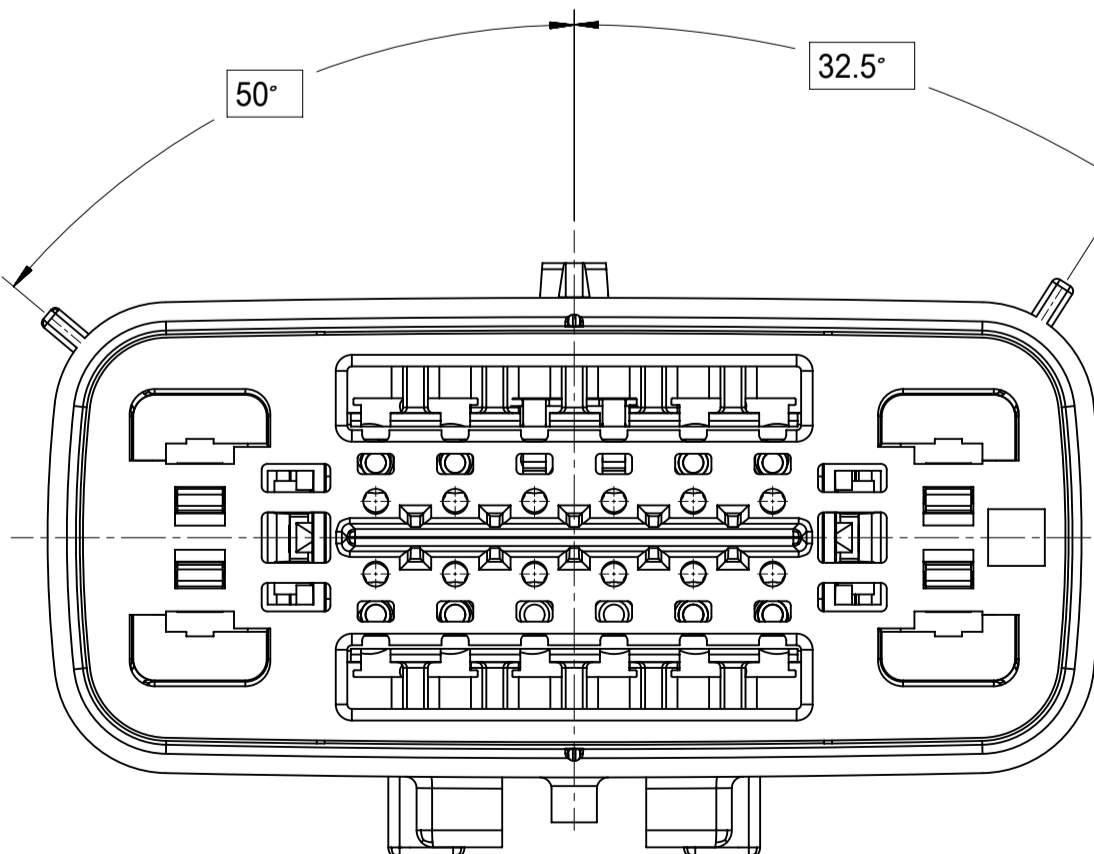
KEY C



KEY G



KEY D



KEY H

SYMBOLS	THIS DRAWING CONTAINS INFORMATION THAT IS PROPRIETARY TO MOLEX ELECTRONIC TECHNOLOGIES, LLC AND SHOULD NOT BE USED WITHOUT WRITTEN PERMISSION		CURRENT REV DESC:	
	DIMENSION UNITS	SCALE		
▽ = 0	mm	3:1		
▽ = 0	GENERAL TOLERANCES (UNLESS SPECIFIED)			
▽ = 0	ANGULAR TOL ± 3.0°			
▽ = 0	4 PLACES	±	EC NO: 177763	
▽ = 0	3 PLACES	±	DRWN: LSONG05 2018/05/30	
▽ = 0	2 PLACES	± 0.1	CHK'D: MVANSLAMBROU 2018/06/12	
▽ = 0	1 PLACE	± 0.3	APPR: MVANSLAMBROU 2018/06/12	
▽ = 0	0 PLACES	±	INITIAL REVISION:	
⊠ = 0	DRAFT WHERE APPLICABLE MUST REMAIN WITHIN DIMENSIONS		THIRD ANGLE PROJECTION	
■ = 0			DRAWING	SERIES
▽ = 0			A1-SIZE	34986
DOCUMENT STATUS			MATERIAL NUMBER	
P1	RELEASE DATE	2018/06/12 12:37:30	SD-34986-8001	
			CUSTOMER	
			GENERAL MARKET	
			SHEET NUMBER	
			3 OF 5	

molex

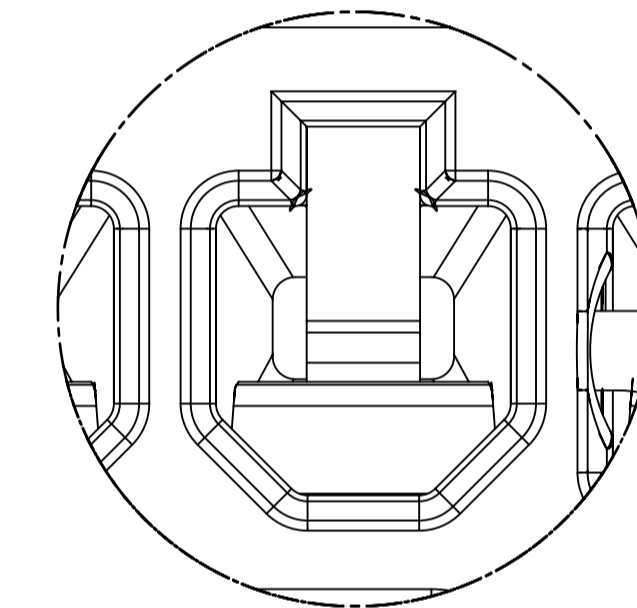
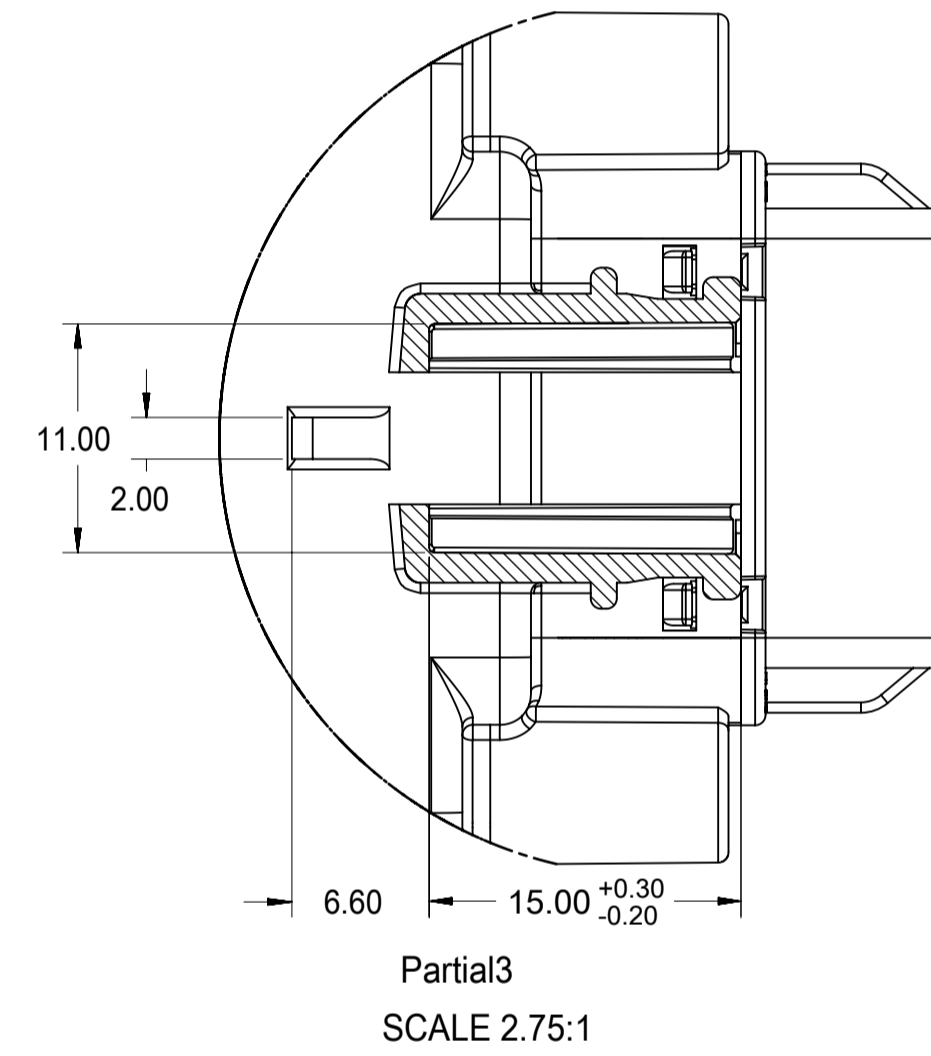
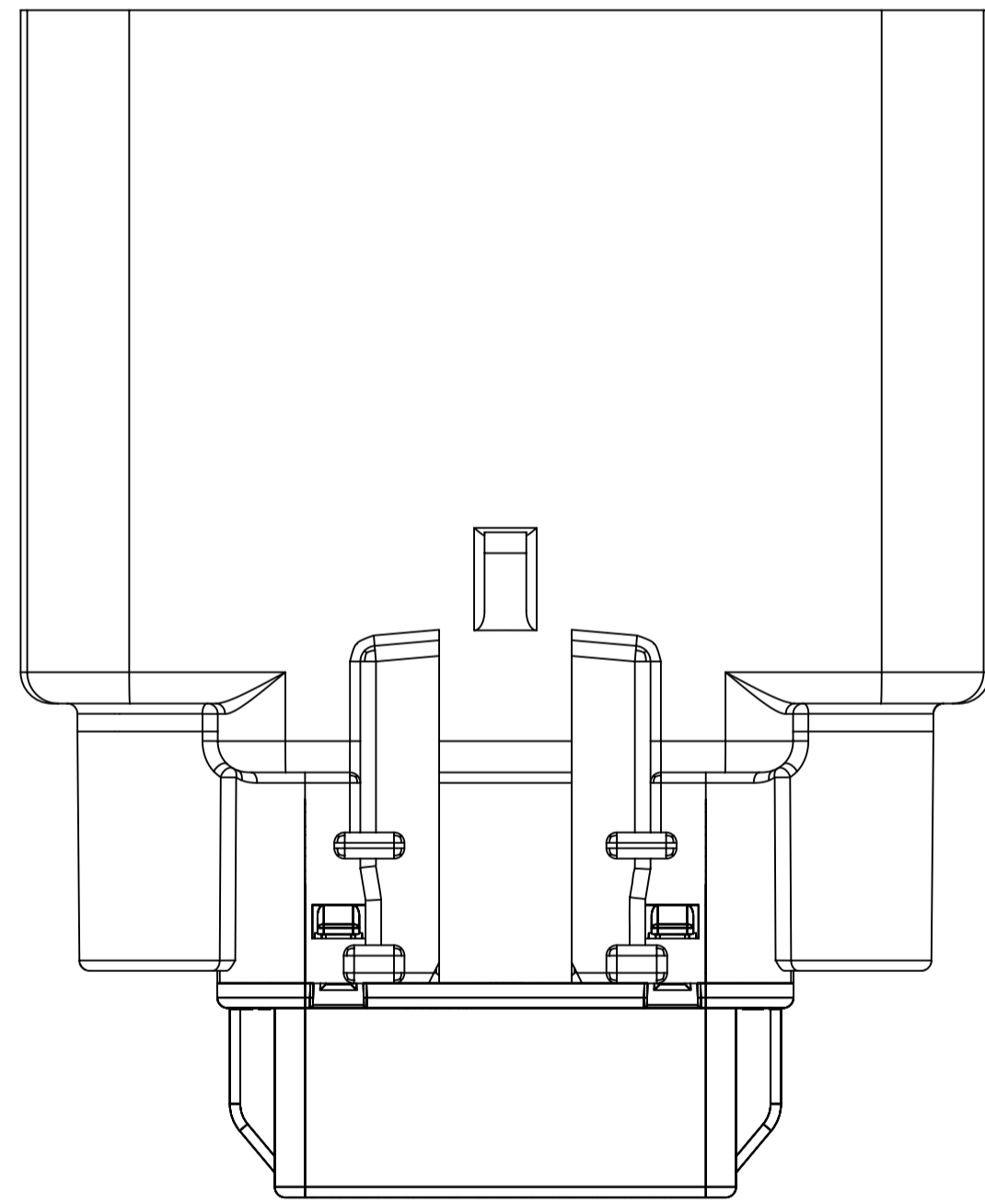
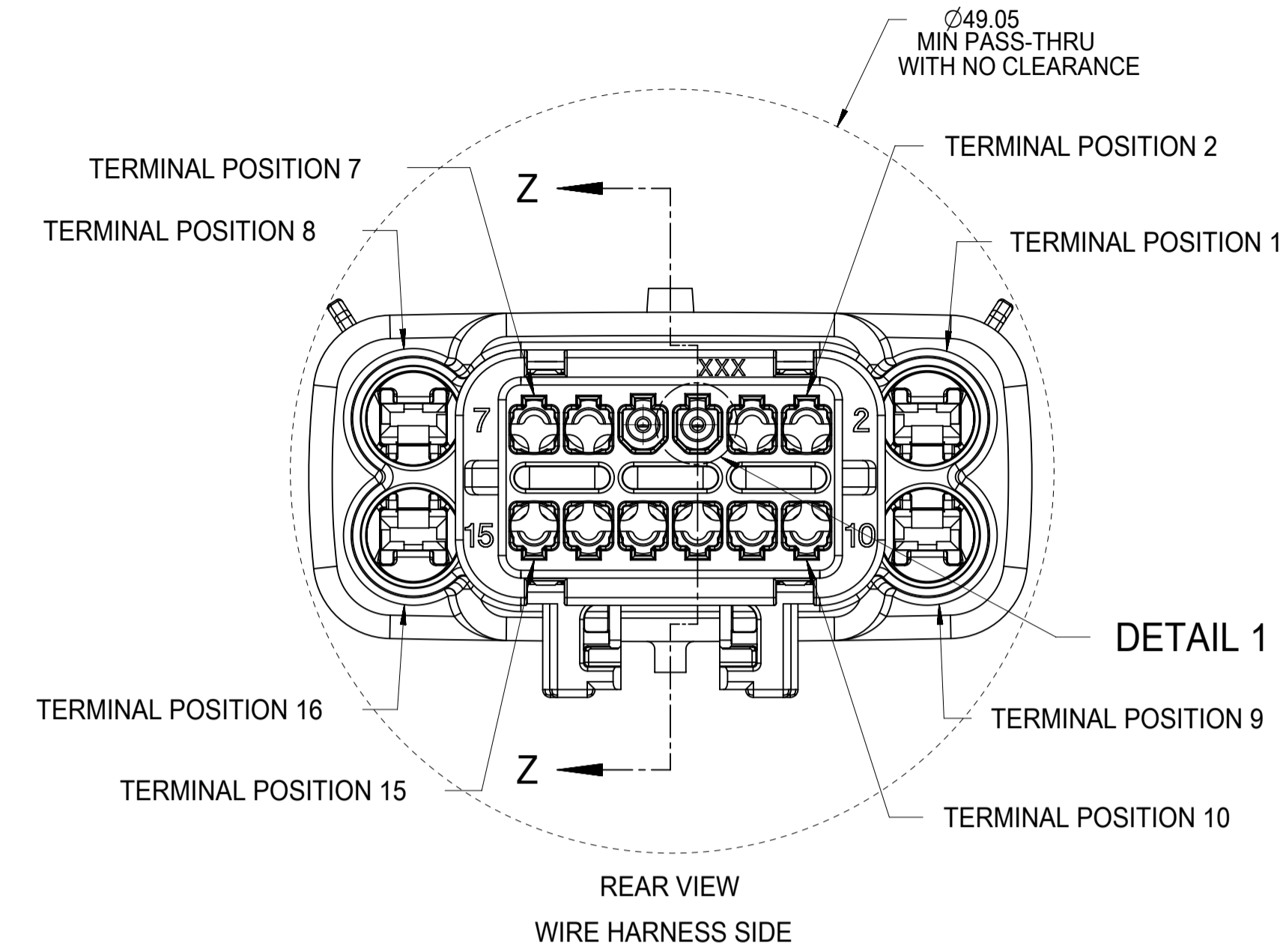
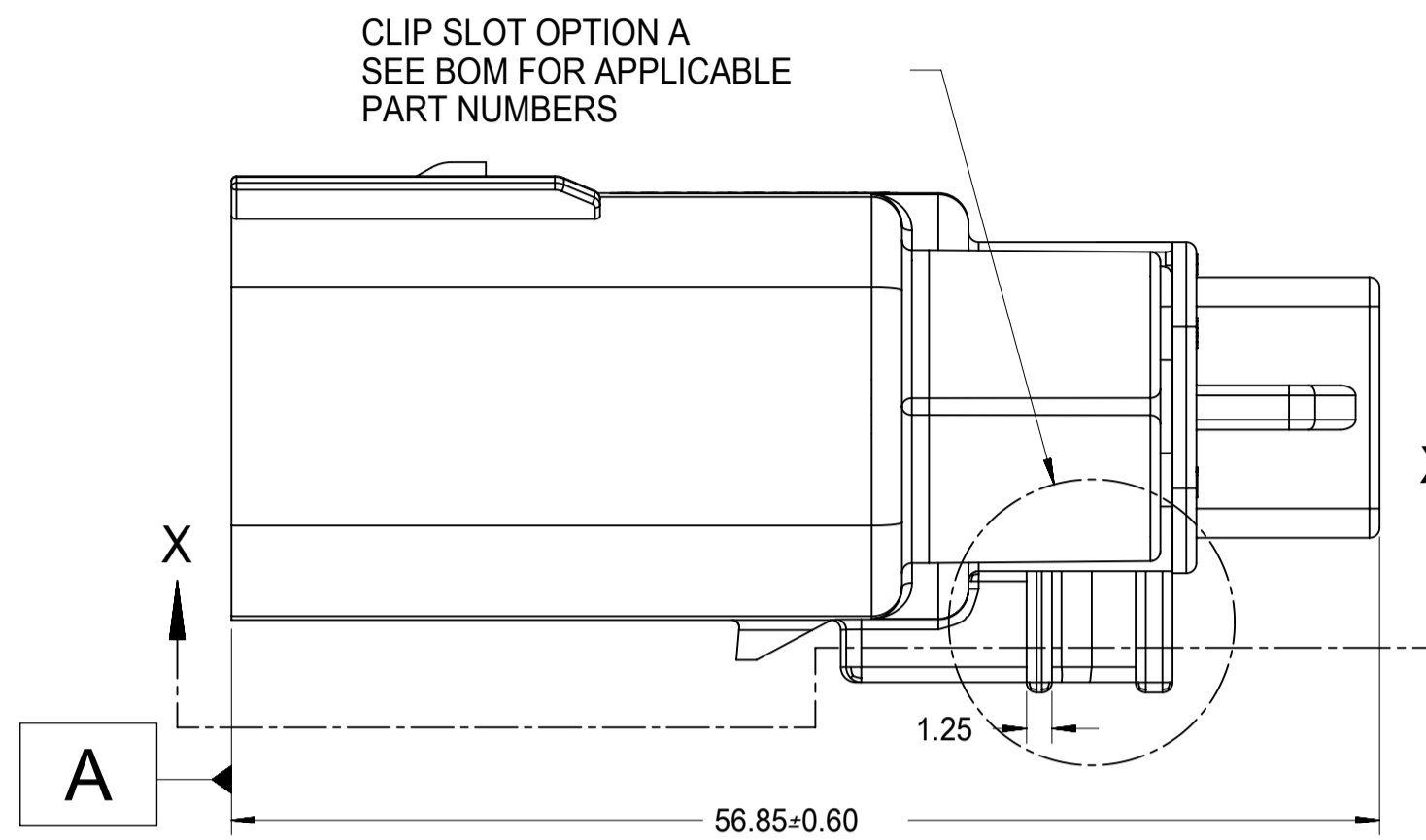
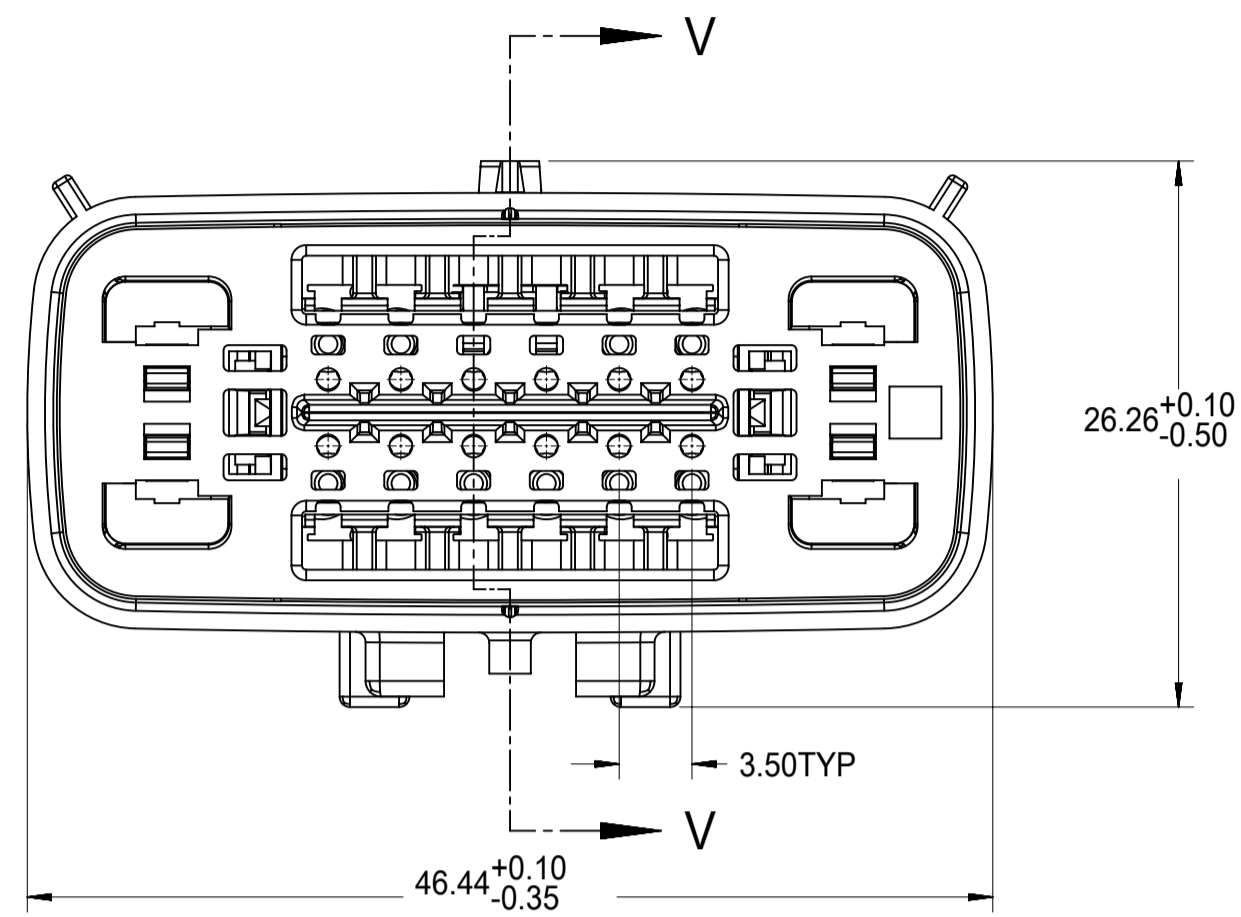
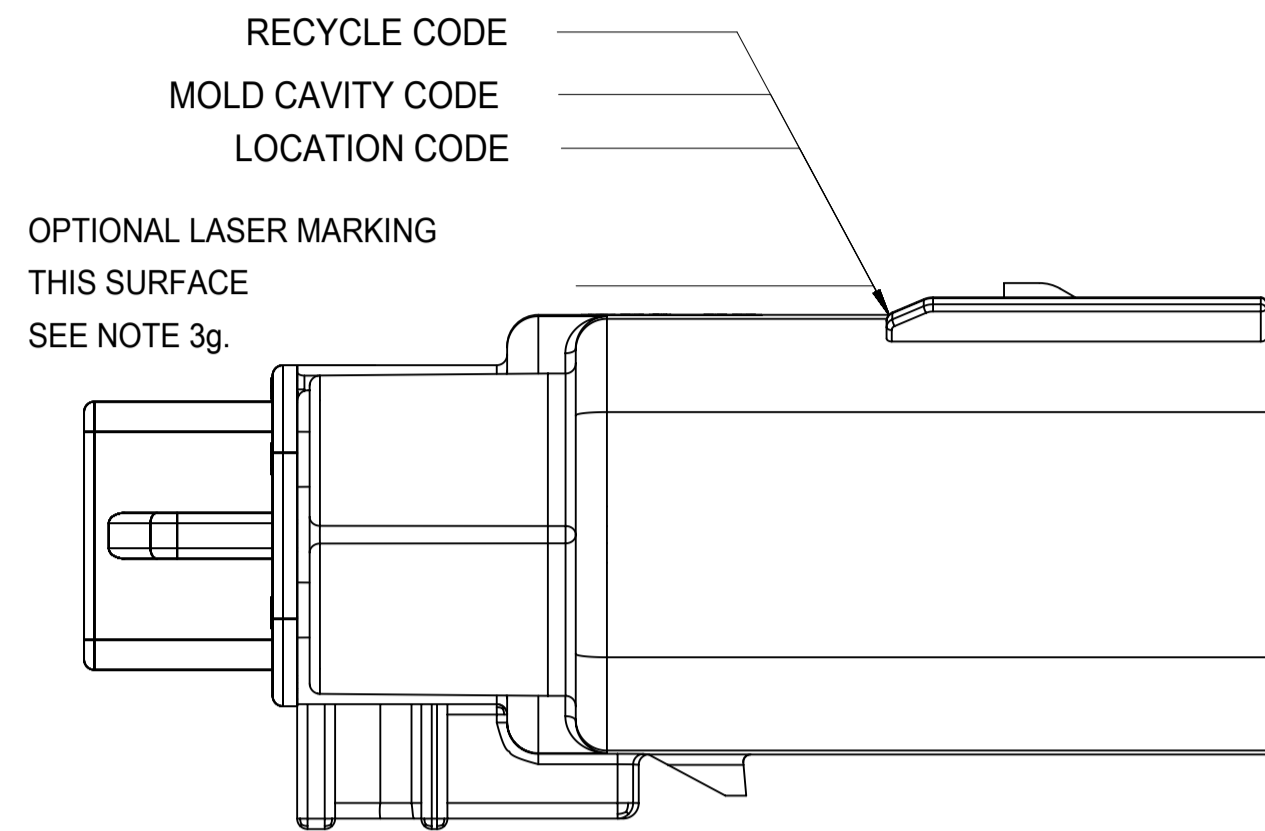
MX150 16 WAY HYBRID
BLADE SEALED ASSEMBLY

PRODUCT CUSTOMER DRAWING

DOCUMENT NUMBER	DOC TYPE	DOC PART	REVISION
SD-34986-8001	PSD	001	C1

SHEET DESCRIPTION

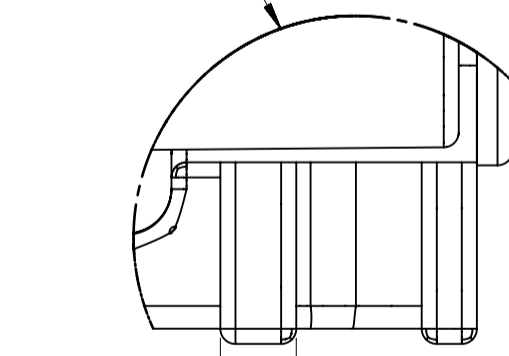
BLADE SEALED ASSEMBLY



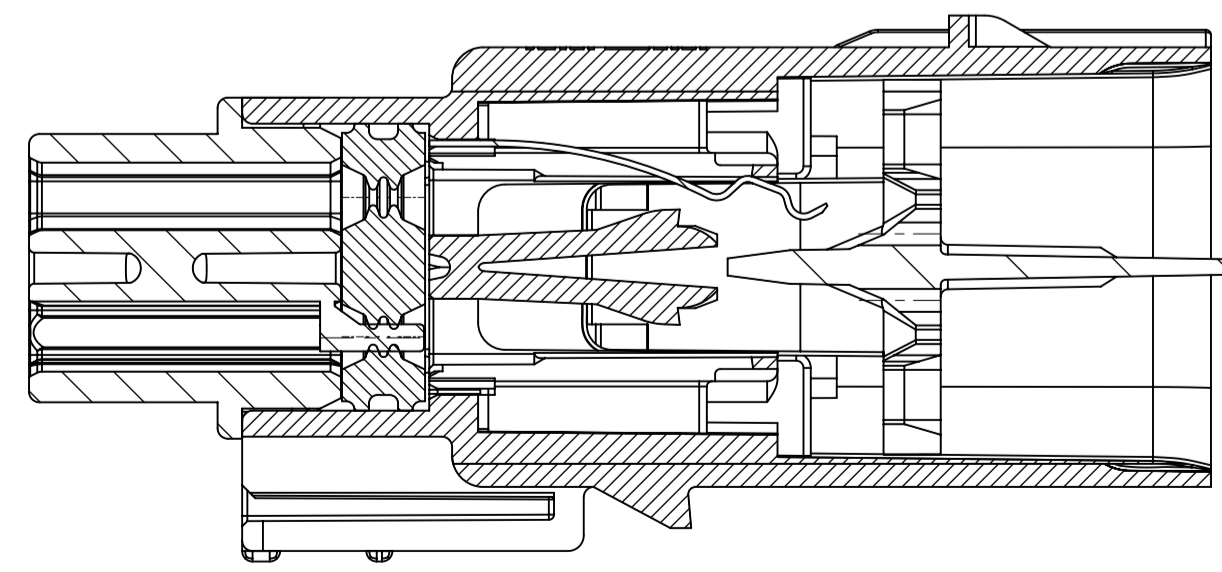
SHORTING BAR (SB) CIRCUITS ARE IDENTIFIED BY THE GROMMET CAP OPENING FEATURE SHOWN ABOVE.

DETAIL 1
SCALE 15:1

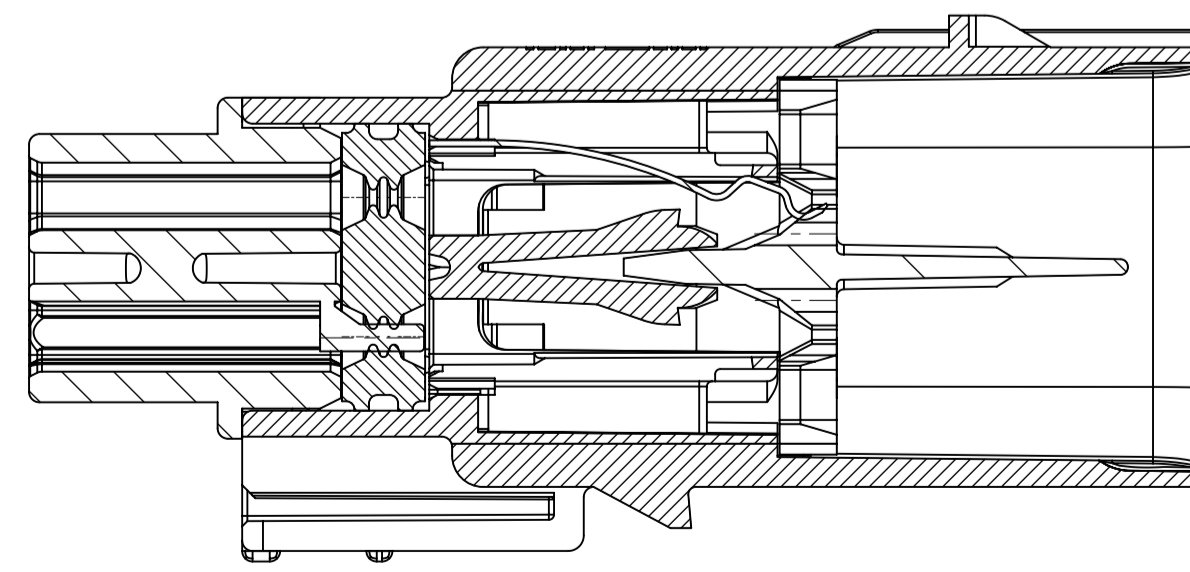
CLIP SLOT OPTION B
SEE BOM FOR APPLICABLE
PART NUMBERS



Partial1
SCALE 4:1



PRIMARY LOCK REINFORCEMENT (PLR) SHOWN
IN PRE-STAGED POSITION
SECTION Z-Z

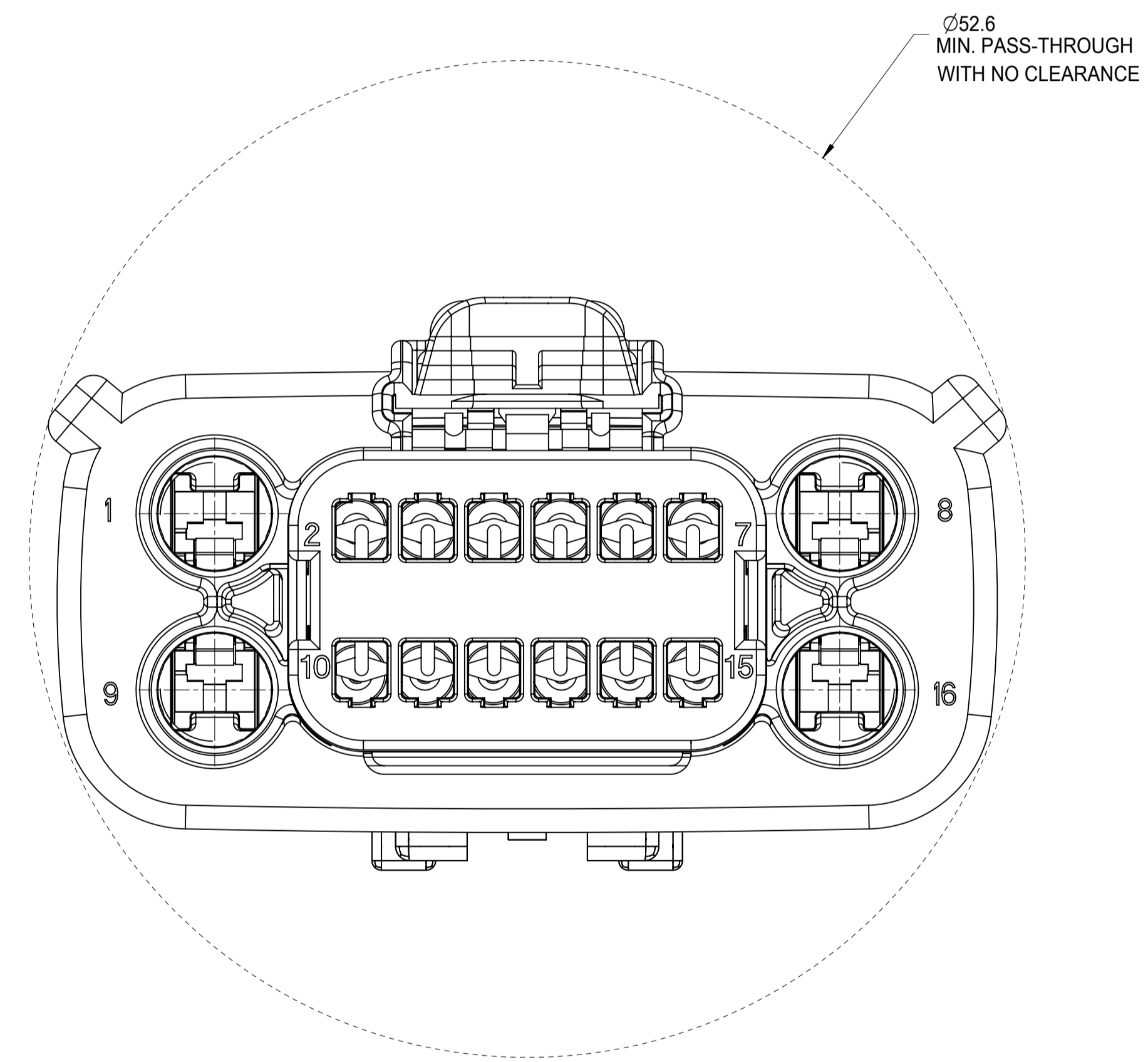
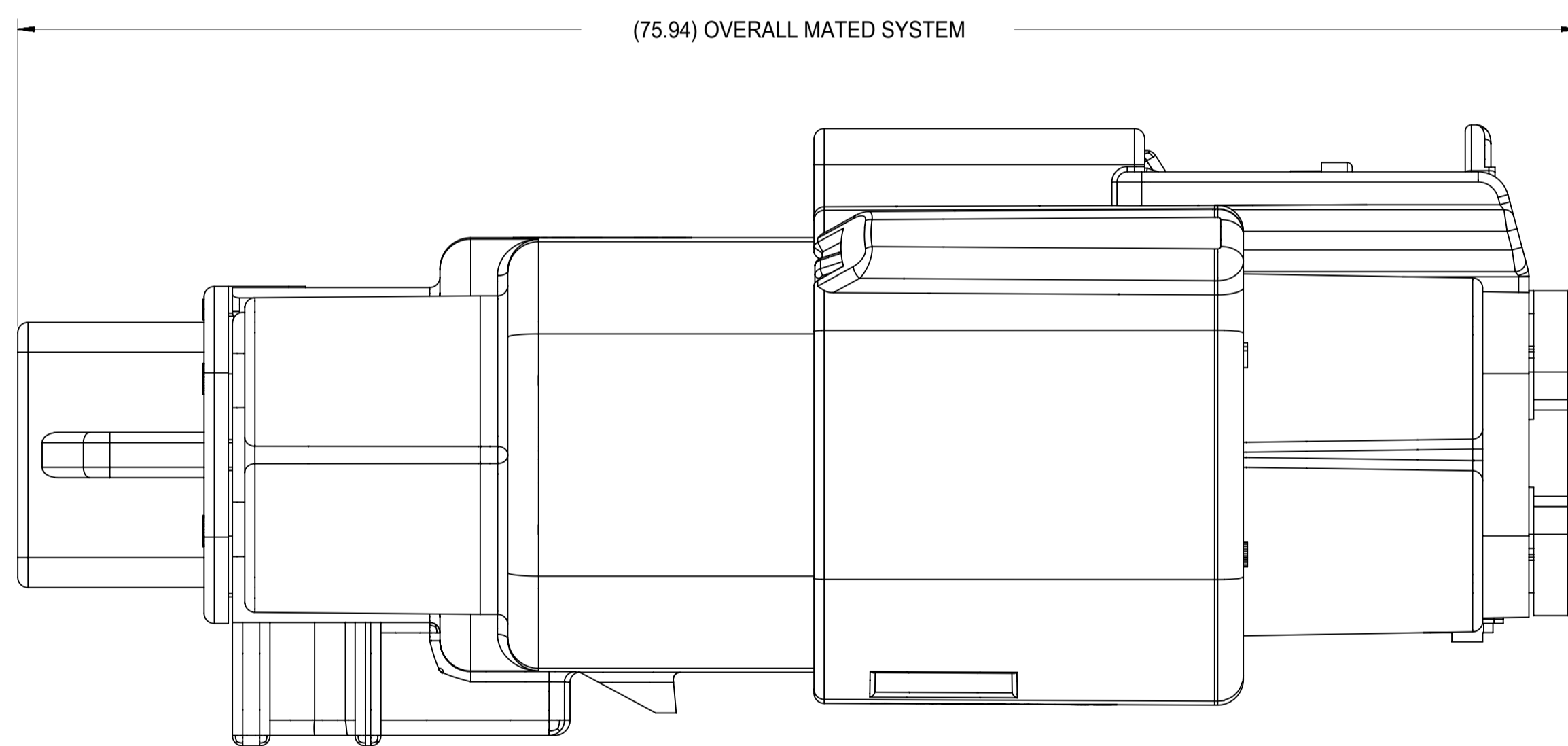


PRIMARY LOCK REINFORCEMENT (PLR) SHOWN
IN FINAL-LOCK POSITION
SECTION V-V

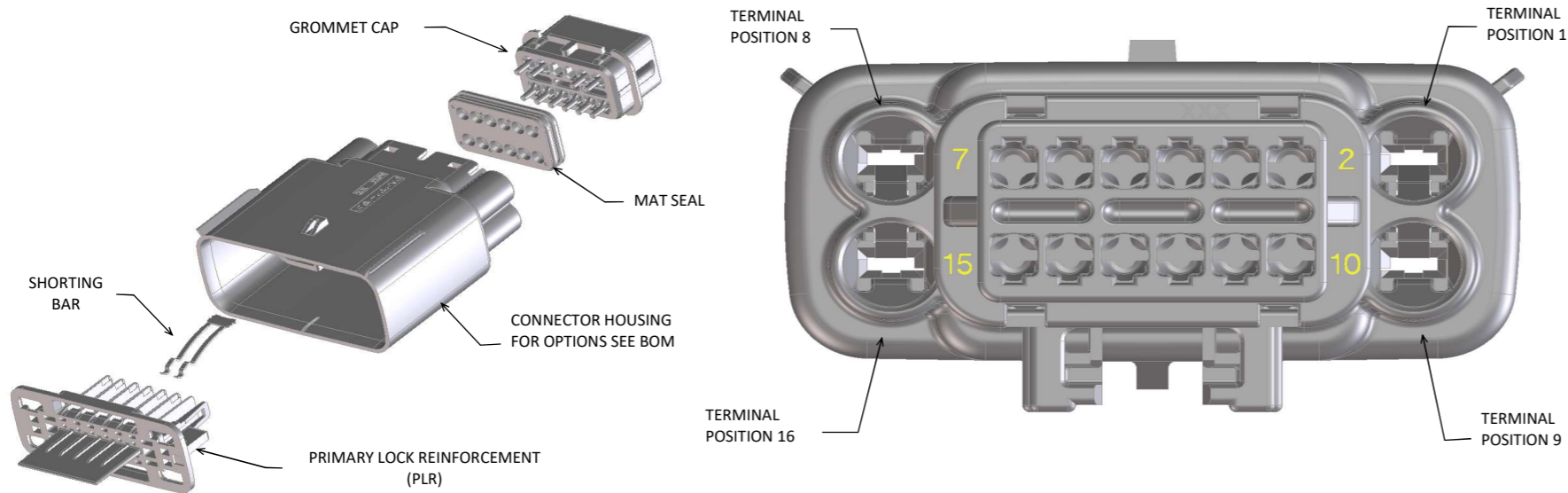
SYMBOLS		THIS DRAWING CONTAINS INFORMATION THAT IS PROPRIETARY TO MOLEX ELECTRONIC TECHNOLOGIES, LLC AND SHOULD NOT BE USED WITHOUT WRITTEN PERMISSION		CURRENT REV DESC:		molex	
▽ = 0	mm	SCALE	3:1	EC NO: 177763		MX150 16 WAY HYBRID	
▽ = 0	GENERAL TOLERANCES (UNLESS SPECIFIED)			DRWN: LSONG05 2018/05/30		BLADE SEALED ASSEMBLY	
▽ = 0	ANGULAR TOL ± 3.0°			CHK'D: MVANSLAMBROU 2018/06/12		PRODUCT CUSTOMER DRAWING	
▽ = 0	4 PLACES ±			APPR: MVANSLAMBROU 2018/06/12		DOCUMENT NUMBER	
▽ = 0	3 PLACES ±			INITIAL REVISION:		DOC TYPE DOC PART REVISION	
▽ = 0	2 PLACES ± 0.1			DRWN: APROFFITT 2013/05/06		SD-34986-8001	
▽ = 0	1 PLACE ± 0.3			APPR: VKOSHY 2013/05/16		PSD 001 C1	
▽ = 0	0 PLACES ±			DRAFT WHERE APPLICABLE MUST REMAIN WITHIN DIMENSIONS		MATERIAL NUMBER	
▽ = 0		THIRD ANGLE PROJECTION		DRAWING		CUSTOMER	
		A1-SIZE		SERIES		GENERAL MARKET	
		34986				SHEET NUMBER	
						4 OF 5	

SHEET DESCRIPTION

SYSTEM PACKAGING



SYMBOLS		THIS DRAWING CONTAINS INFORMATION THAT IS PROPRIETARY TO MOLEX ELECTRONIC TECHNOLOGIES, LLC AND SHOULD NOT BE USED WITHOUT WRITTEN PERMISSION		CURRENT REV DESC:		molex	
▽ = 0	DIMENSION UNITS	mm	SCALE	3:1		MX150 16 WAY HYBRID BLADE SEALED ASSEMBLY	
▽ = 0	GENERAL TOLERANCES (UNLESS SPECIFIED)		EC NO: 177763		PRODUCT CUSTOMER DRAWING		
▽ = 0	ANGULAR TOL ± 3.0°		DRWN: LSONG05 2018/05/30		DOCUMENT NUMBER		DOC TYPE DOC PART REVISION
▽ = 0	4 PLACES ±		CHK'D: MVANSLAMBROU 2018/06/12		SD-34986-8001		PSD 001 C1
▽ = 0	3 PLACES ±		APPR: MVANSLAMBROU 2018/06/12		MATERIAL NUMBER		CUSTOMER
▽ = 0	2 PLACES ± 0.1		INITIAL REVISION:		SERIES		SHEET NUMBER
▽ = 0	1 PLACE ± 0.3		DRWN: APROFFITT 2013/05/06		34986		5 OF 5
▽ = 0	0 PLACES ±		APPR: VKOSHY 2013/05/16		GENERAL MARKET		
▽ = 0	DRAFT WHERE APPLICABLE MUST REMAIN WITHIN DIMENSIONS		THIRD ANGLE PROJECTION		DRAWING		
▽ = 0			A1-SIZE				



ABBREVIATION	DESCRIPTION	COLOR	MATERIAL
A-BLK	HOUSING, KEYING OPTION A	BLACK	SPS/NYLON GF20
B-LG	HOUSING, KEYING OPTION B	LIGHT GRAY	SPS/NYLON GF20
C-BR	HOUSING, KEYING OPTION C	BROWN	SPS/NYLON GF20
D-GR	HOUSING, KEYING OPTION D	GREEN	SPS/NYLON GF20
A-YW	HOUSING, KEYING OPTION A	YELLOW	SPS/NYLON GF20
C-DG	HOUSING, KEYING OPTION C	DARK GRAY	SPS/NYLON GF20
D-SG	HOUSING, KEYING OPTION D	STONE GRAY	SPS/NYLON GF20
E-BLK	HOUSING, KEYING OPTION E	BLACK	SPS/NYLON GF20
F-LG	HOUSING, KEYING OPTION F*	LIGHT GRAY	SPS/NYLON GF20
G-BR	HOUSING, KEYING OPTION G	BROWN	SPS/NYLON GF20
H-YW	HOUSING, KEYING OPTION H	YELLOW	SPS/NYLON GF20
GC-S	STANDARD GROMMET CAP	BLACK	SPS/NYLON GF20
GC-SB1	SHORTING BAR GROMMET CAP 1	BLACK	SPS/NYLON GF20
GC-SB2	SHORTING BAR GROMMET CAP 2	BLACK	SPS/NYLON GF20
GC-SB3	SHORTING BAR GROMMET CAP 3	BLACK	SPS/NYLON GF20
GC-SB4	SHORTING BAR GROMMET CAP 4	BLACK	SPS/NYLON GF20
GC-SB5	SHORTING BAR GROMMET CAP 5	BLACK	SPS/NYLON GF20
GC-SB6	SHORTING BAR GROMMET CAP 6	BLACK	SPS/NYLON GF20
SB	SHORTING BAR	GOLD PL	30100 STAINLESS STEEL
PLR	PLR	NATURAL	SPS/NYLON GF20
M	MAT SEAL	RUST RED	INHERENTLY LUBRICATED SILICONE

CLIPSLOT TYPE "A" STANDARD FOR ALL KEYING OPTIONS
 *CLIPSLOT TYPE "B" OPTIONAL

FOR ADDITIONAL INFORMATION SEE SD-34986-8001

ASSEMBLY DESCRIPTION	ASSEMBLY PART NUMBER	COMPONENT					BLOCKED TERMINALS																STATUS	COMMENTS	OPTIONAL ATTACHMENTS SOLD SEPARATELY						
		THE PRESENCE OF AN ABBREVIATION INDICATES THE PRESENCE OF THAT COMPONENT.					CAVITY WITH A NUMBER INDICATES BLOCKED TERMINAL POSITION CAVITY WITHOUT A NUMBER INDICATES OPEN TERMINAL POSITION																		BACKSHELL WITH RIBS	BACKSHELL WITHOUT RIBS					
		HOUSING KEY/COLOR	GROMMET CAP	PLR	MAT SEAL	SB QTY	1	2	3	4	5	6	7	8	9	10	11	12	13	14	15	16									
KEY A, BLACK	34986-1601	A-BLK	GC-S	PLR	M																							SALEABLE		349531610	NOT AVAILABLE
KEY B, LIGHT GRAY	34986-1602	B-LG	GC-S	PLR	M																							SALEABLE		349531610	NOT AVAILABLE
KEY C, BROWN	34986-1603	C-BR	GC-S	PLR	M																							NOT RECOMMENDED	SEE 34986-1959	349531610	NOT AVAILABLE
KEY D, GREEN	34986-1604	D-GR	GC-S	PLR	M																							NOT RECOMMENDED	SEE 34986-1960	349531610	NOT AVAILABLE
KEY A, YELLOW	34986-1605	A-YW	GC-S	PLR	M																							SALEABLE		349531610	NOT AVAILABLE
KEY A, BLACK	34986-1606	A-BLK	GC-S	PLR	M																							SALEABLE		349531610	NOT AVAILABLE
KEY B, LIGHT GRAY	34986-1607	B-LG	GC-S	PLR	M																							SALEABLE		349531610	NOT AVAILABLE
KEY C, BROWN	34986-1608	C-BR	GC-S	PLR	M																							NOT RECOMMENDED		349531610	NOT AVAILABLE
KEY D, GREEN	34986-1609	D-GR	GC-S	PLR	M																							NOT RECOMMENDED		349531610	NOT AVAILABLE
KEY A, YELLOW	34986-1610	A-YW	GC-S	PLR	M																							SALEABLE		349531610	NOT AVAILABLE
KEY A, BLACK	34986-1611	A-BLK	GC-S	PLR	M																					14		SALEABLE		349531610	NOT AVAILABLE
KEY B, LIGHT GRAY	34986-1612	B-LG	GC-S	PLR	M																							SALEABLE		349531610	NOT AVAILABLE
KEY C, BROWN	34986-1613	C-BR	GC-S	PLR	M																							NOT RECOMMENDED		349531610	NOT AVAILABLE
KEY D, GREEN	34986-1614	D-GR	GC-S	PLR	M																							NOT RECOMMENDED		349531610	NOT AVAILABLE
KEY A, YELLOW	34986-1615	A-YW	GC-S	PLR	M																							SALEABLE		349531610	NOT AVAILABLE
KEY A, BLACK	34986-1621	A-BLK	GC-S	PLR	M																							SALEABLE		349531610	NOT AVAILABLE
KEY A, BLACK	34986-1626	A-BLK	GC-S	PLR	M																							SALEABLE		349531610	NOT AVAILABLE
KEY A, BLACK	34986-1631	A-BLK	GC-S	PLR	M																							SALEABLE		349531610	NOT AVAILABLE
KEY A, BLACK	34986-1636	A-BLK	GC-S	PLR	M																							SALEABLE		349531610	NOT AVAILABLE
KEY A, BLACK	34986-1641	A-BLK	GC-S	PLR	M																							SALEABLE		349531610	NOT AVAILABLE
KEY A, BLACK	34986-1646	A-BLK	GC-S	PLR	M																							SALEABLE		349531610	NOT AVAILABLE
KEY A, BLACK	34986-1651	A-BLK	GC-S	PLR	M																							SALEABLE		349531610	NOT AVAILABLE
KEY A, BLACK	34986-1656	A-BLK	GC-S	PLR	M																							SALEABLE		349531610	NOT AVAILABLE
KEY A, BLACK	34986-1661	A-BLK	GC-S	PLR	M																							SALEABLE		349531610	NOT AVAILABLE
KEY A, BLACK	34986-1666	A-BLK	GC-S	PLR	M																							SALEABLE		349531610	NOT AVAILABLE
KEY A, BLACK	34986-1671	A-BLK	GC-S	PLR	M																							SALEABLE		349531610	NOT AVAILABLE
KEY A, BLACK	34986-1672	A-BLK	GC-S	PLR	M																							SALEABLE		349531610	NOT AVAILABLE
KEY E, BLACK, WITH S.B.	34986-1701	E-BLK	GC-SB1	PLR	M	2																						SALEABLE		349531610	NOT AVAILABLE
KEY F, LIGHT GRAY, WITH S.B.	34986-1702	F-LG	GC-SB1	PLR	M	2																						SALEABLE		349531610	NOT AVAILABLE
KEY G, BROWN, WITH S.B.	34986-1703	G-BR	GC-SB1	PLR	M	2																						SALEABLE		349531610	NOT AVAILABLE
KEY H, YELLOW, WITH S.B.	34986-1704	H-YW	GC-SB1	PLR	M	2																						SALEABLE		349531610	NOT AVAILABLE
KEY H, YELLOW, WITH S.B.	34986-1708	H-YW	GC-SB1	PLR	M	2																						SALEABLE		349531610	NOT AVAILABLE
KEY H, YELLOW, WITH S.B.	34986-1710	H-YW	GC-SB1	PLR	M	2																						SALEABLE		349531610	NOT AVAILABLE
KEY H, YELLOW, WITH S.B.	34986-1712	H-YW	GC-SB1	PLR	M	2																						SALEABLE		349531610	NOT AVAILABLE
KEY E, BLACK, WITH S.B.	34986-1714	E-BLK	GC-SB2	PLR	M	1																						SALEABLE		349531610	NOT AVAILABLE
KEY B, LIGHT GRAY	34986-1715	B-LG	GC-S	PLR	M																							SALEABLE		349531610	NOT AVAILABLE
KEY A, BLACK	34986-1716	A-BLK	GC-S	PLR	M																							SALEABLE		349531610	NOT AVAILABLE
KEY A, BLACK	34986-1717	A-BLK	GC-S	PLR	M																							SALEABLE		349531610	NOT AVAILABLE
KEY A, BLACK	34986-1718	A-BLK	GC-S	PLR	M																							SALEABLE		349531610	NOT AVAILABLE
KEY A, BLACK	34986-1719	A-BLK	GC-S	PLR	M																							SALEABLE		349531610	NOT AVAILABLE
KEY A, BLACK	34986-1720	A-BLK	GC-S	PLR	M																							SALEABLE		349531610	NOT AVAILABLE
KEY F, LIGHT GRAY, WITH S.B.	34986-1721	F-LG	GC-SB2	PLR	M	1																						SALEABLE		349531610	NOT AVAILABLE
KEY F, LIGHT GRAY, WITH S.B.	34986-1722	F-LG	GC-SB2	PLR	M	1																						SALEABLE		349531610	NOT AVAILABLE
KEY F, LIGHT GRAY, WITH S.B.	34986-1723	F-LG	GC-SB2	PLR	M	1																						SALEABLE		349531610	NOT AVAILABLE
KEY F, LIGHT GRAY, WITH S.B.	34986-1724	F-LG	GC-SB2	PLR	M	1																						SALEABLE		349531610	NOT AVAILABLE
KEY F, LIGHT GRAY, WITH S.B.	34986-1725	F-LG	GC-SB2	PLR	M	1																						SALEABLE		349531610	NOT AVAILABLE
KEY F, LIGHT GRAY, WITH S.B.	34986-1726	F-LG	GC-SB2	PLR	M	1																						SALEABLE		349531610	NOT AVAILABLE
KEY F, LIGHT GRAY, WITH S.B.	34986-1727	F-LG	GC-SB2	PLR	M	1																						SALEABLE		349531610	NOT AVAILABLE
KEY F, LIGHT GRAY, WITH S.B.	34986-1728	F-LG	GC-SB2	PLR	M	1																						SALEABLE		349531610	NOT AVAILABLE
KEY F, LIGHT GRAY	34986-1729	F-LG	GC-S	PLR	M																							SALEABLE		349531610	NOT AVAILABLE
KEY F, LIGHT GRAY, WITH S.B.	34986-1731	F-LG	GC-SB2	PLR	M	1																						SALEABLE		349531610	NOT AVAILABLE
KEY A, BLACK	34986-1732	A-BLK	GC-S	PLR	M																							SALEABLE		349531610	NOT AVAILABLE
KEY E, BLACK, WITH S.B.	34986-1733	E-BLK	GC-SB3	PLR	M	4																						SALEABLE		349531610	NOT AVAILABLE
KEY E, BLACK, WITH S.B.	34986-1734	E-BLK	GC-SB4	PLR	M	3																						SALEABLE		349531610	NOT AVAILABLE
KEY E, BLACK, WITH S.B.	34986-1739	E-BLK	GC-SB1	PLR	M	2																						SALEABLE		349531610	NOT AVAILABLE
KEY E, BLACK, WITH S.B.	34986-1740	E-BLK	GC-SB1	PLR	M	2																						SALEABLE		349531610	NOT AVAILABLE
KEY E, BLACK, WITH S.B.	34986-1741	E-BLK	GC-SB1	PLR	M	2																						SALEABLE		349531610	NOT AVAILABLE

BOM AND PIN OUT SHEET

ASSEMBLY DESCRIPTION	ASSEMBLY PART NUMBER	COMPONENT					BLOCKED TERMINALS																STATUS	COMMENTS	OPTIONAL ATTACHMENTS SOLD SEPARATELY							
		THE PRESENCE OF AN ABBREVIATION INDICATES THE PRESENCE OF THAT COMPONENT.					CAVITY WITH A NUMBER INDICATES BLOCKED TERMINAL POSITION CAVITY WITHOUT A NUMBER INDICATES OPEN TERMINAL POSITION																		BACKSHELL WITH RIBS	BACKSHELL WITHOUT RIBS						
		HOUSING KEY/COLOR	GROMMET CAP	PLR	MAT SEAL	SB QTY	1	2	3	4	5	6	7	8	9	10	11	12	13	14	15	16										
KEY E, BLACK, WITH S.B.	34986-1742	E-BLK	GC-SB1	PLR	M	2					SB	SB						SB	SB	14			SALEABLE		349531610	NOT AVAILABLE						
KEY A, BLACK	34986-1743	A-BLK	GC-S	PLR	M						5	6											SALEABLE		349531610	NOT AVAILABLE						
KEY A, BLACK	34986-1744	A-BLK	GC-S	PLR	M						5	6							13	14	15		SALEABLE		349531610	NOT AVAILABLE						
KEY A, BLACK	34986-1745	A-BLK	GC-S	PLR	M			3												11	14	15	SALEABLE		349531610	NOT AVAILABLE						
KEY A, BLACK	34986-1746	A-BLK	GC-S	PLR	M															11	14	15	SALEABLE		349531610	NOT AVAILABLE						
KEY A, BLACK	34986-1747	A-BLK	GC-S	PLR	M															11	14	15	SALEABLE		349531610	NOT AVAILABLE						
KEY A, BLACK	34986-1748	A-BLK	GC-S	PLR	M			2		3										11	14	15	SALEABLE		349531610	NOT AVAILABLE						
KEY A, BLACK	34986-1749	A-BLK	GC-S	PLR	M															11	14	15	SALEABLE		349531610	NOT AVAILABLE						
KEY A, BLACK	34986-1750	A-BLK	GC-S	PLR	M															10	11	12	13	14	15	SALEABLE		349531610	NOT AVAILABLE			
KEY B, LIGHT GRAY	34986-1751	B-LG	GC-S	PLR	M							5										13	14	15	SALEABLE		349531610	NOT AVAILABLE				
KEY B, LIGHT GRAY	34986-1752	B-LG	GC-S	PLR	M							5										13	14	15	SALEABLE		349531610	NOT AVAILABLE				
KEY E, BLACK, WITH S.B.	34986-1753	E-BLK	GC-SB1	PLR	M	2		2			SB	SB										SB	SB	15	SALEABLE		349531610	NOT AVAILABLE				
KEY A, BLACK	34986-1754	A-BLK	GC-S	PLR	M			2																		349531610	NOT AVAILABLE					
KEY A, BLACK	34986-1755	A-BLK	GC-S	PLR	M			2															7		10	11	SALEABLE		349531610	NOT AVAILABLE		
KEY A, BLACK	34986-1755	A-BLK	GC-S	PLR	M			2															13				15	SALEABLE		349531610	NOT AVAILABLE	
KEY A, BLACK	34986-1756	A-BLK	GC-S	PLR	M					3																		SALEABLE		349531610	NOT AVAILABLE	
KEY A, BLACK	34986-1757	A-BLK	GC-S	PLR	M			2		3																		SALEABLE		349531610	NOT AVAILABLE	
KEY A, BLACK	34986-1758	A-BLK	GC-S	PLR	M			2		3																		SALEABLE		349531610	NOT AVAILABLE	
KEY E, BLACK, WITH S.B.	34986-1759	E-BLK	GC-SB4	PLR	M	3		2		3		SB	SB	SB	SB							SB	SB	14	15	SALEABLE		349531610	NOT AVAILABLE			
KEY E, BLACK, WITH S.B.	34986-1760	E-BLK	GC-SB4	PLR	M	3					SB	SB	SB	SB														SALEABLE		349531610	NOT AVAILABLE	
KEY F, LIGHT GRAY, WITH S.B.	34986-1761	F-LG	GC-SB2	PLR	M	1					SB	SB											12	13	14	SALEABLE		349531610	NOT AVAILABLE			
KEY H, YELLOW, WITH S.B.	34986-1762	H-YW	GC-SB1	PLR	M	2					SB	SB											SB	SB	14	SALEABLE		349531610	NOT AVAILABLE			
KEY H, YELLOW, WITH S.B.	34986-1763	H-YW	GC-SB1	PLR	M	2					SB	SB											SB	SB	14	SALEABLE		349531610	NOT AVAILABLE			
KEY F, LIGHT GRAY, WITH S.B.	34986-1764	F-LG	GC-SB2	PLR	M	1					SB	SB	6	7									10	11	12	13	14	SALEABLE		349531610	NOT AVAILABLE	
KEY F, LIGHT GRAY, WITH S.B.	34986-1765	F-LG	GC-SB2	PLR	M	1					SB	SB	6	7									10	11	12	13	14	SALEABLE		349531610	NOT AVAILABLE	
KEY H, YELLOW, WITH S.B.	34986-1766	H-YW	GC-SB1	PLR	M	2					SB	SB	6	7									10	11	SB	SB	14	SALEABLE		349531610	NOT AVAILABLE	
KEY H, YELLOW, WITH S.B.	34986-1767	H-YW	GC-SB1	PLR	M	2					SB	SB	6	7									10	11	SB	SB	14	SALEABLE		349531610	NOT AVAILABLE	
KEY A, BLACK	34986-1768	A-BLK	GC-S	PLR	M					3			5	6													15	SALEABLE		349531610	NOT AVAILABLE	
KEY A, BLACK	34986-1769	A-BLK	GC-S	PLR	M								6															SALEABLE		349531610	NOT AVAILABLE	
KEY A, BLACK	34986-1770	A-BLK	GC-S	PLR	M																			12	13	14	15	SALEABLE		349531610	NOT AVAILABLE	
KEY A, BLACK	34986-1771	A-BLK	GC-S	PLR	M			2																12	13	14	15	SALEABLE		349531610	NOT AVAILABLE	
KEY H, YELLOW, WITH S.B.	34986-1772	H-YW	GC-SB2	PLR	M	1					SB	SB												12	13	SALEABLE		349531610	NOT AVAILABLE			
KEY H, YELLOW, WITH S.B.	34986-1773	H-YW	GC-SB2	PLR	M	1		2			SB	SB															15	SALEABLE		349531610	NOT AVAILABLE	
KEY H, YELLOW, WITH S.B.	34986-1774	H-YW	GC-SB2	PLR	M	1					SB	SB	6	7									10	11	12	13	14	SALEABLE		349531610	NOT AVAILABLE	
KEY H, YELLOW, WITH S.B.	34986-1775	H-YW	GC-SB2	PLR	M	1		2		3		SB	SB	6	7								10	11	12	13	14	15	SALEABLE		349531610	NOT AVAILABLE
KEY A, BLACK	34986-1776	A-BLK	GC-S	PLR	M			2		3													10	11	14	15	SALEABLE		349531610	NOT AVAILABLE		
KEY A, BLACK	34986-1777	A-BLK	GC-S	PLR	M			2		3													10	11	12	14	15	SALEABLE		349531610	NOT AVAILABLE	
KEY A, BLACK	34986-1778	A-BLK	GC-S	PLR	M			2		3		4	5	6	7								10	11	12	14	15	SALEABLE		349531610	NOT AVAILABLE	
KEY A, BLACK	34986-1779	A-BLK	GC-S	PLR	M			2		3																		SALEABLE		349531610	NOT AVAILABLE	
KEY A, BLACK	34986-1780	A-BLK	GC-S	PLR	M			2				4																SALEABLE		349531610	NOT AVAILABLE	
KEY A, BLACK	34986-1781	A-BLK	GC-S	PLR	M			2		3																		SALEABLE		349531610	NOT AVAILABLE	
KEY E, BLACK, WITH S.B.	34986-1782	E-BLK	GC-SB4	PLR	M	3					SB	SB	SB	SB										SB	SB	14	15	SALEABLE		349531610	NOT AVAILABLE	
KEY A, BLACK	34986-1783	A-BLK	GC-S	PLR	M																			11	12	14	15	SALEABLE		349531610	NOT AVAILABLE	
KEY A, BLACK	34986-1784	A-BLK	GC-S	PLR	M			2		3														11	12	14	15	SALEABLE		349531610	NOT AVAILABLE	
KEY A, BLACK	34986-1785	A-BLK	GC-S	PLR	M			2																11	12	14	15	SALEABLE		349531610	NOT AVAILABLE	
KEY A, BLACK	34986-1786	A-BLK	GC-S	PLR	M			2																11	12	14	15	SALEABLE		349531610	NOT AVAILABLE	
KEY A, BLACK	34986-1787	A-BLK	GC-S	PLR	M			2																11	12	14	15	SALEABLE		349531610	NOT AVAILABLE	
KEY A, BLACK	34986-1788	A-BLK	GC-S	PLR	M					3																		SALEABLE		349531610	NOT AVAILABLE	
KEY A, BLACK	34986-1789	A-BLK	GC-S	PLR	M																							SALEABLE		349531610	NOT AVAILABLE	
KEY A, BLACK	34986-1790	A-BLK	GC-S	PLR	M			2				4																SALEABLE		349531610	NOT AVAILABLE	
KEY A, BLACK	34986-1791	A-BLK	GC-S	PLR	M			2				4																SALEABLE		349531610	NOT AVAILABLE	
KEY A, BLACK	34986-1792	A-BLK	GC-S	PLR	M																							SALEABLE		349531610	NOT AVAILABLE	
KEY A, BLACK	34986-1793	A-BLK	GC-S	PLR	M																							SALEABLE		349531610	NOT AVAILABLE	
KEY A, BLACK	34986-1794	A-BLK	GC-S	PLR	M																							SALEABLE		349531610	NOT AVAILABLE	
KEY A, BLACK	34986-1795	A-BLK	GC-S	PLR	M			2				4																SALEABLE		349531610	NOT AVAILABLE	
KEY A, BLACK	34986-1796	A-BLK	GC-S	PLR	M																							SALEABLE		349531610	NOT AVAILABLE	
KEY A, BLACK	34986-1797	A-BLK	GC-S	PLR	M																							SALEABLE		349531610	NOT AVAILABLE	
KEY A, BLACK	34986-1798	A-BLK	GC-S	PLR	M																							SALEABLE		349531610	NOT AVAILABLE	
KEY A, BLACK	34986-1799	A-BLK	GC-S	PLR	M			2		3																		SALEABLE		349531610	NOT AVAILABLE	
KEY A, BLACK	34986-1801	A-BLK	GC-S	PLR	M			2		3		4																SALEABLE		349531610	NOT AVAILABLE	
KEY A, BLACK	34986-1802	A-BLK	GC-S	PLR	M			2																				SALEABLE		349531610	NOT AVAILABLE	
KEY A, BLACK	34986-1803	A-BLK	GC-S	PLR	M																							SALEABLE		349531610	NOT AVAILABLE	
KEY A, BLACK	34986-1804	A-BLK	GC-S	PLR	M																							SALEABLE		349531610	NOT AVAILABLE	
KEY A, BLACK	34986-1805	A-BLK	GC-S	PLR	M																							SALEABLE		349531610	NOT AVAILABLE	
KEY A, BLACK	34986-1806	A-BLK	GC-S	PLR	M																											

MX150 16 WAY HYBRID BLADE SEALED ASSEMBLY MAT SEAL (2.8mm CAVITIES OPEN)
BOM AND PIN OUT SHEET

ASSEMBLY DESCRIPTION	ASSEMBLY PART NUMBER	COMPONENT					BLOCKED TERMINALS																STATUS	COMMENTS	OPTIONAL ATTACHMENTS SOLD SEPERATELY			
		THE PRESENCE OF AN ABBREVIATION INDICATES THE PRESENCE OF THAT COMPONENT.					CAVITY WITH A NUMBER INDICATES BLOCKED TERMINAL POSITION CAVITY WITHOUT A NUMBER INDICATES OPEN TERMINAL POSITION																		BACKSHELL WITH RIBS	BACKSHELL WITHOUT RIBS		
		HOUSING KEY/COLOR	GROMMET CAP	PLR	MAT SEAL	SB QTY	1	2	3	4	5	6	7	8	9	10	11	12	13	14	15	16						
KEY A, BLACK	34986-1832	A-BLK	GC-S	PLR	M										10	11	12	13	14	15		SALEABLE		349531610	NOT AVAILABLE			
KEY A, BLACK	34986-1833	A-BLK	GC-S	PLR	M						6	7											SALEABLE		349531610	NOT AVAILABLE		
KEY B, LIGHT GRAY	34986-1834	B-LG	GC-S	PLR	M			3	4	5													SALEABLE		349531610	NOT AVAILABLE		
KEY B, LIGHT GRAY	34986-1835	B-LG	GC-S	PLR	M			3	4	5					10	11	12	13	14	15			SALEABLE		349531610	NOT AVAILABLE		
KEY B, LIGHT GRAY	34986-1836	B-LG	GC-S	PLR	M					5														SALEABLE		349531610	NOT AVAILABLE	
KEY A, BLACK	34986-1837	A-BLK	GC-S	PLR	M			3							10	11							SALEABLE		349531610	NOT AVAILABLE		
KEY E, BLACK	34986-1838	E-BLK	GC-S	PLR	M										10	11				14			SALEABLE		349531610	NOT AVAILABLE		
KEY E, BLACK	34986-1839	E-BLK	GC-S	PLR	M										10	11				14			SALEABLE		349531610	NOT AVAILABLE		
KEY H, YELLOW, WITH S.B.	34986-1840	H-YW	GC-SB5	PLR	M	5		SB	SB	SB	SB	6	7		SB	SB	SB	SB					SALEABLE		349531610	NOT AVAILABLE		
KEY A, BLACK	34986-1841	A-BLK	GC-S	PLR	M																14			SALEABLE		349531610	NOT AVAILABLE	
KEY A, BLACK	34986-1842	A-BLK	GC-S	PLR	M																			SALEABLE		349531610	NOT AVAILABLE	
KEY A, BLACK	34986-1843	A-BLK	GC-S	PLR	M										10									SALEABLE		349531610	NOT AVAILABLE	
KEY A, BLACK	34986-1844	A-BLK	GC-S	PLR	M			2		4								12						SALEABLE		349531610	NOT AVAILABLE	
KEY A, BLACK	34986-1845	A-BLK	GC-S	PLR	M														13	14	15			SALEABLE		349531610	NOT AVAILABLE	
KEY A, BLACK	34986-1846	A-BLK	GC-S	PLR	M																			SALEABLE		349531610	NOT AVAILABLE	
KEY A, BLACK	34986-1847	A-BLK	GC-S	PLR	M			2	3	4	5	6	7				11	12	13	14	15			SALEABLE		349531610	NOT AVAILABLE	
KEY A, BLACK	34986-1848	A-BLK	GC-S	PLR	M			2	3	4	5						11	12	13	14	15			SALEABLE		349531610	NOT AVAILABLE	
KEY A, BLACK	34986-1849	A-BLK	GC-S	PLR	M							5	6	7							13	14	15		SALEABLE		349531610	NOT AVAILABLE
KEY A, BLACK	34986-1850	A-BLK	GC-S	PLR	M			2				5	6	7							13	14	15		SALEABLE		349531610	NOT AVAILABLE
KEY A, BLACK	34986-1851	A-BLK	GC-S	PLR	M			2																SALEABLE		349531610	NOT AVAILABLE	
KEY A, BLACK	34986-1852	A-BLK	GC-S	PLR	M			2	3	4														SALEABLE		349531610	NOT AVAILABLE	
KEY A, BLACK	34986-1853	A-BLK	GC-S	PLR	M			2	3	4	5	6	7											SALEABLE		349531610	NOT AVAILABLE	
KEY A, BLACK	34986-1854	A-BLK	GC-S	PLR	M			2		4	5													SALEABLE		349531610	NOT AVAILABLE	
KEY A, BLACK	34986-1855	A-BLK	GC-S	PLR	M			2	3															SALEABLE		349531610	NOT AVAILABLE	
KEY A, BLACK	34986-1856	A-BLK	GC-S	PLR	M			2																SALEABLE		349531610	NOT AVAILABLE	
KEY A, BLACK	34986-1857	A-BLK	GC-S	PLR	M																			SALEABLE		349531610	NOT AVAILABLE	
KEY A, BLACK	34986-1858	A-BLK	GC-S	PLR	M																			SALEABLE		349531610	NOT AVAILABLE	
KEY A, BLACK	34986-1859	A-BLK	GC-S	PLR	M																			SALEABLE		349531610	NOT AVAILABLE	
KEY A, BLACK	34986-1860	A-BLK	GC-S	PLR	M																			SALEABLE		349531610	NOT AVAILABLE	
KEY A, BLACK	34986-1861	A-BLK	GC-S	PLR	M			2	3	4	5	6	7											SALEABLE		349531610	NOT AVAILABLE	
KEY A, BLACK	34986-1862	A-BLK	GC-S	PLR	M			2		4														SALEABLE		349531610	NOT AVAILABLE	
KEY A, BLACK	34986-1863	A-BLK	GC-S	PLR	M			2																SALEABLE		349531610	NOT AVAILABLE	
KEY A, BLACK	34986-1864	A-BLK	GC-S	PLR	M																			SALEABLE		349531610	NOT AVAILABLE	
KEY A, BLACK	34986-1865	A-BLK	GC-S	PLR	M																			SALEABLE		349531610	NOT AVAILABLE	
KEY A, BLACK	34986-1866	A-BLK	GC-S	PLR	M																			SALEABLE		349531610	NOT AVAILABLE	
KEY A, BLACK	34986-1867	A-BLK	GC-S	PLR	M																			SALEABLE		349531610	NOT AVAILABLE	
KEY A, BLACK	34986-1868	A-BLK	GC-S	PLR	M																			SALEABLE		349531610	NOT AVAILABLE	
KEY A, BLACK	34986-1869	A-BLK	GC-S	PLR	M			2	3															SALEABLE		349531610	NOT AVAILABLE	
KEY A, BLACK	34986-1870	A-BLK	GC-S	PLR	M			2																SALEABLE		349531610	NOT AVAILABLE	
KEY E, BLACK, WITH S.B.	34986-1871	E-BLK	GC-SB1	PLR	M	2		2	3	SB	SB	6	7											SALEABLE		349531610	NOT AVAILABLE	
KEY A, BLACK	34986-1872	A-BLK	GC-S	PLR	M																			SALEABLE		349531610	NOT AVAILABLE	
KEY H, YELLOW, WITH S.B.	34986-1873	H-YW	GC-SB2	PLR	M	1		2	3	SB	SB	6	7											SALEABLE		349531610	NOT AVAILABLE	
KEY H, YELLOW, WITH S.B.	34986-1874	H-YW	GC-SB2	PLR	M	1		2	3	SB	SB	6	7											SALEABLE		349531610	NOT AVAILABLE	
KEY H, YELLOW, WITH S.B.	34986-1875	H-YW	GC-SB2	PLR	M	1		2	3	SB	SB	6	7											SALEABLE		349531610	NOT AVAILABLE	
KEY H, YELLOW, WITH S.B.	34986-1876	H-YW	GC-SB2	PLR	M	1		2	3	SB	SB	6	7											SALEABLE		349531610	NOT AVAILABLE	
KEY H, YELLOW, WITH S.B.	34986-1877	H-YW	GC-SB2	PLR	M	1		2	3	SB	SB													SALEABLE		349531610	NOT AVAILABLE	
KEY H, YELLOW, WITH S.B.	34986-1878	H-YW	GC-SB2	PLR	M	1		2	3	SB	SB													SALEABLE		349531610	NOT AVAILABLE	
KEY H, YELLOW, WITH S.B.	34986-1879	H-YW	GC-SB2	PLR	M	1																		SALEABLE		349531610	NOT AVAILABLE	
KEY H, YELLOW, WITH S.B.	34986-1880	H-YW	GC-SB2	PLR	M	1																		SALEABLE		349531610	NOT AVAILABLE	
KEY H, YELLOW, WITH S.B.	34986-1881	H-YW	GC-SB2	PLR	M	1																		SALEABLE		349531610	NOT AVAILABLE	
KEY B, LIGHT GRAY	34986-1882	B-LG	GC-S	PLR	M																			SALEABLE		349531610	NOT AVAILABLE	
KEY A, BLACK	34986-1883	A-BLK	GC-S	PLR	M			2																SALEABLE		349531610	NOT AVAILABLE	
KEY H, YELLOW, WITH S.B.	34986-1884	H-YW	GC-SB2	PLR	M	1																		SALEABLE		349531610	NOT AVAILABLE	
KEY H, YELLOW, WITH S.B.	34986-1885	H-YW	GC-SB2	PLR	M	1																		SALEABLE		349531610	NOT AVAILABLE	
KEY A, BLACK	34986-1886	A-BLK	GC-S	PLR	M			2	3	4														SALEABLE		349531610	NOT AVAILABLE	
KEY A, BLACK	34986-1887	A-BLK	GC-S	PLR	M																			SALEABLE		349531610	NOT AVAILABLE	
KEY A, BLACK	34986-1888	A-BLK	GC-S	PLR	M																			SALEABLE		349531610	NOT AVAILABLE	
KEY A, BLACK	34986-1889	A-BLK	GC-S	PLR	M			2																SALEABLE		349531610	NOT AVAILABLE	
KEY A, BLACK	34986-1890	A-BLK	GC-S	PLR	M			2																SALEABLE		349531610	NOT AVAILABLE	
KEY A, BLACK	34986-1891	A-BLK	GC-S	PLR	M			2																SALEABLE		349531610	NOT AVAILABLE	
KEY A, BLACK	34986-1892	A-BLK	GC-S	PLR	M																			SALEABLE		349531610	NOT AVAILABLE	
KEY A, BLACK	34986-1893	A-BLK	GC-S	PLR	M			2																SALEABLE		349531610	NOT AVAILABLE	
KEY A, BLACK	34986-1894	A-BLK	GC-S	PLR	M			2	3	4	5	6	7											SALEABLE		349531610	NOT AVAILABLE	
KEY A, BLACK	34986-1895	A-BLK	GC-S	PLR	M			2	3	4														SALEABLE		349531610	NOT AVAILABLE	
KEY A, BLACK	34986-1900	A-BLK	GC-S	PLR	M			2	3															SALEABLE		349531610	NOT AVAILABLE	
KEY A, BLACK	34986-1901	A-BLK	GC-S	PLR	M																			SALEABLE		349531610	NOT AVAILABLE	
KEY A, BLACK	34986-1902	A-BLK	GC-S	PLR	M																			SALEABLE		349531610	NOT AVAILABLE	
KEY A, BLACK	34986-1903	A-BLK	GC-S	PLR	M			2																SALEABLE		349531610	NOT AVAILABLE	
KEY A, BLACK	34986-1904	A-BLK	GC-S	PLR	M																			SALEABLE		349531610	NOT AVAILABLE	
KEY A, BLACK	34986-1905	A-BLK	GC-S	PLR	M			2																SALEABLE		349531610	NOT AVAILABLE	
KEY A, BLACK	34986-1906	A-BLK	GC-S	PLR	M																			SALEABLE		349531610	NOT AVAILABLE	
KEY A, YELLOW	34986-1907	A-YW	GC																									

BOM AND PIN OUT SHEET

ASSEMBLY DESCRIPTION	ASSEMBLY PART NUMBER	COMPONENT					BLOCKED TERMINALS																STATUS	COMMENTS	OPTIONAL ATTACHMENTS SOLD SEPERATELY								
		THE PRESENCE OF AN ABBREVIATION INDICATES THE PRESENCE OF THAT COMPONENT.					CAVITY WITH A NUMBER INDICATES BLOCKED TERMINAL POSITION CAVITY WITHOUT A NUMBER INDICATES OPEN TERMINAL POSITION																		BACKSHELL WITH RIBS	BACKSHELL WITHOUT RIBS							
		HOUSING KEY/COLOR	GROMMET CAP	PLR	MAT SEAL	SB QTY	1	2	3	4	5	6	7	8	9	10	11	12	13	14	15	16											
KEY A, BLACK	34986-2106	A-BLK	GC-S	PLR	M			2																SALEABLE		349531610	NOT AVAILABLE						
KEY A, BLACK	34986-2107	A-BLK	GC-S	PLR	M			2			4	5	6	7								10	11	12	SALEABLE		349531610	NOT AVAILABLE					
KEY A, BLACK	34986-2108	A-BLK	GC-S	PLR	M			2					5										12	13	14	15	SALEABLE		349531610	NOT AVAILABLE			
KEY A, BLACK	34986-2109	A-BLK	GC-S	PLR	M			2		3																			SALEABLE		349531610	NOT AVAILABLE	
KEY A, BLACK	34986-2111	A-BLK	GC-S	PLR	M			2															10	11	12	13	14	15	SALEABLE		349531610	NOT AVAILABLE	
KEY A, BLACK	34986-2112	A-BLK	GC-S	PLR	M																									SALEABLE		349531610	NOT AVAILABLE
KEY A, BLACK	34986-2113	A-BLK	GC-S	PLR	M			2		3																				SALEABLE		349531610	NOT AVAILABLE
KEY A, BLACK	34986-2114	A-BLK	GC-S	PLR	M																									SALEABLE		349531610	NOT AVAILABLE
KEY A, BLACK	34986-2115	A-BLK	GC-S	PLR	M						3	4																		SALEABLE		349531610	NOT AVAILABLE
KEY A, BLACK	34986-2116	A-BLK	GC-S	PLR	M						3	4																		SALEABLE		349531610	NOT AVAILABLE
KEY A, BLACK	34986-2117	A-BLK	GC-S	PLR	M						3	4																		SALEABLE		349531610	NOT AVAILABLE
KEY A, BLACK	34986-2118	A-BLK	GC-S	PLR	M			2		3																				SALEABLE		349531610	NOT AVAILABLE
KEY A, BLACK	34986-2119	A-BLK	GC-S	PLR	M																									SALEABLE		349531610	NOT AVAILABLE
KEY A, BLACK	34986-2120	A-BLK	GC-S	PLR	M																									SALEABLE		349531610	NOT AVAILABLE
KEY A, BLACK	34986-2121	A-BLK	GC-S	PLR	M																									SALEABLE		349531610	NOT AVAILABLE
KEY A, BLACK	34986-2122	A-BLK	GC-S	PLR	M																									SALEABLE		349531610	NOT AVAILABLE
KEY A, BLACK	34986-2123	A-BLK	GC-S	PLR	M																									SALEABLE		349531610	NOT AVAILABLE
KEY A, BLACK	34986-2124	A-BLK	GC-S	PLR	M			2		3																				SALEABLE		349531610	NOT AVAILABLE
KEY A, BLACK	34986-2125	A-BLK	GC-S	PLR	M			2																						SALEABLE		349531610	NOT AVAILABLE
KEY A, BLACK	34986-2126	A-BLK	GC-S	PLR	M																									SALEABLE		349531610	NOT AVAILABLE
KEY A, BLACK	34986-2127	A-BLK	GC-S	PLR	M																									SALEABLE		349531610	NOT AVAILABLE
KEY A, BLACK	34986-2128	A-BLK	GC-S	PLR	M			2																						SALEABLE		349531610	NOT AVAILABLE
KEY A, BLACK	34986-2129	A-BLK	GC-S	PLR	M			2		3																				SALEABLE		349531610	NOT AVAILABLE
KEY A, BLACK	34986-2130	A-BLK	GC-S	PLR	M			2																						SALEABLE		349531610	NOT AVAILABLE
KEY A, BLACK	34986-2131	A-BLK	GC-S	PLR	M			2																						SALEABLE		349531610	NOT AVAILABLE
KEY A, BLACK	34986-2132	A-BLK	GC-S	PLR	M			2		3																				SALEABLE		349531610	NOT AVAILABLE
KEY A, BLACK	34986-2133	A-BLK	GC-S	PLR	M			2																						SALEABLE		349531610	NOT AVAILABLE
KEY A, BLACK	34986-2134	A-BLK	GC-S	PLR	M			2		3																				SALEABLE		349531610	NOT AVAILABLE
KEY A, BLACK	34986-2135	A-BLK	GC-S	PLR	M			2		3																				SALEABLE		349531610	NOT AVAILABLE
KEY A, BLACK	34986-2136	A-BLK	GC-S	PLR	M			2		3		4	5																	SALEABLE		349531610	NOT AVAILABLE
KEY A, BLACK	34986-2137	A-BLK	GC-S	PLR	M			2		3																				SALEABLE		349531610	NOT AVAILABLE
KEY A, BLACK	34986-2138	A-BLK	GC-S	PLR	M			2		3		4	5	6	7															SALEABLE		349531610	NOT AVAILABLE
KEY A, BLACK	34986-2139	A-BLK	GC-S	PLR	M			2		3			5	6																SALEABLE		349531610	NOT AVAILABLE
KEY A, BLACK	34986-2140	A-BLK	GC-S	PLR	M			2		3				6	7															SALEABLE		349531610	NOT AVAILABLE
KEY A, BLACK	34986-2141	A-BLK	GC-S	PLR	M			2		3																				SALEABLE		349531610	NOT AVAILABLE
KEY A, BLACK	34986-2142	A-BLK	GC-S	PLR	M			2																						SALEABLE		349531610	NOT AVAILABLE
KEY A, BLACK	34986-2143	A-BLK	GC-S	PLR	M																									SALEABLE		349531610	NOT AVAILABLE
KEY A, BLACK	34986-2144	A-BLK	GC-S	PLR	M																									SALEABLE		349531610	NOT AVAILABLE
KEY A, BLACK	34986-2145	A-BLK	GC-S	PLR	M																									SALEABLE		349531610	NOT AVAILABLE
KEY A, BLACK	34986-2146	A-BLK	GC-S	PLR	M																									SALEABLE		349531610	NOT AVAILABLE
KEY A, BLACK	34986-2147	A-BLK	GC-S	PLR	M			2		3																				SALEABLE		349531610	NOT AVAILABLE
KEY A, BLACK	34986-2148	A-BLK	GC-S	PLR	M			2																						SALEABLE		349531610	NOT AVAILABLE
KEY A, BLACK	34986-2149	A-BLK	GC-S	PLR	M			2																						SALEABLE		349531610	NOT AVAILABLE
KEY A, BLACK	34986-2150	A-BLK	GC-S	PLR	M																									SALEABLE		349531610	NOT AVAILABLE
KEY A, BLACK	34986-2151	A-BLK	GC-S	PLR	M																									SALEABLE		349531610	NOT AVAILABLE
KEY A, BLACK	34986-2152	A-BLK	GC-S	PLR	M																									SALEABLE		349531610	NOT AVAILABLE
KEY A, BLACK	34986-2153	A-BLK	GC-S	PLR	M			2		3		4	5	6	7															SALEABLE		349531610	NOT AVAILABLE
KEY A, BLACK	34986-2154	A-BLK	GC-S	PLR	M																									SALEABLE		349531610	NOT AVAILABLE
KEY A, BLACK	34986-2155	A-BLK	GC-S	PLR	M			2		3		4	5	6	7															SALEABLE		349531610	NOT AVAILABLE
KEY A, BLACK	34986-2156	A-BLK	GC-S	PLR	M																									SALEABLE		349531610	NOT AVAILABLE
KEY A, BLACK	34986-2157	A-BLK	GC-S	PLR	M																									SALEABLE		349531610	NOT AVAILABLE
KEY A, YELLOW	34986-2158	A-YW	GC-S	PLR	M																									SALEABLE		349531610	NOT AVAILABLE
KEY A, BLACK	34986-2159	A-BLK	GC-S	PLR	M																									SALEABLE		349531610	NOT AVAILABLE
KEY A, BLACK	34986-2160	A-BLK	GC-S	PLR	M			2																						SALEABLE		349531610	NOT AVAILABLE
KEY A, BLACK	34986-2161	A-BLK	GC-S	PLR	M			2																						SALEABLE		349531610	NOT AVAILABLE
KEY A, BLACK	34986-2162	A-BLK	GC-S	PLR	M																									SALEABLE		349531610	NOT AVAILABLE
KEY A, BLACK	34986-2163	A-BLK	GC-S	PLR	M																									SALEABLE		349531610	NOT AVAILABLE
KEY A, BLACK	34986-2164	A-BLK	GC-S	PLR	M																									SALEABLE		349531610	NOT AVAILABLE
KEY B, LIGHT GRAY	34986-2165	B-LG	GC-S	PLR	M																									SALEABLE		349531610	NOT AVAILABLE
KEY A, BLACK	34986-2166	A-BLK	GC-S	PLR	M			2																						SALEABLE		349531610	NOT AVAILABLE
KEY A, BLACK	34986-2167	A-BLK	GC-S	PLR	M			2																						SALEABLE		349531610	NOT AVAILABLE
KEY A, BLACK	34986-2168	A-BLK	GC-S	PLR	M			2																						SALEABLE		349531610	NOT AVAILABLE
KEY A, BLACK	34986-2169	A-BLK	GC-S	PLR	M																									SALEABLE		349531610	NOT AVAILABLE
KEY A, BLACK	34986-2170	A-BLK	GC-S	PLR	M																									SALEABLE		349531610	NOT AVAILABLE
KEY A, BLACK	34986-2171	A-BLK																															

MX150 16 WAY HYBRID BLADE SEALED ASSEMBLY MAT SEAL (2.8mm CAVITIES OPEN)
BOM AND PIN OUT SHEET

ASSEMBLY DESCRIPTION	ASSEMBLY PART NUMBER	COMPONENT					BLOCKED TERMINALS																STATUS	COMMENTS	OPTIONAL ATTACHMENTS SOLD SEPERATELY													
		THE PRESENCE OF AN ABBREVIATION INDICATES THE PRESENCE OF THAT COMPONENT.					CAVITY WITH A NUMBER INDICATES BLOCKED TERMINAL POSITION CAVITY WITHOUT A NUMBER INDICATES OPEN TERMINAL POSITION																		BACKSHELL WITH RIBS	BACKSHELL WITHOUT RIBS												
		HOUSING KEY/COLOR	GROMMET CAP	PLR	MAT SEAL	SB QTY	1	2	3	4	5	6	7	8	9	10	11	12	13	14	15	16																
KEY A, BLACK	34986-2197	A-BLK	GC-S	PLR	M			2	3									7			10											SALEABLE		349531610	NOT AVAILABLE			
KEY A, BLACK	34986-2198	A-BLK	GC-S	PLR	M			2										7			10											SALEABLE		349531610	NOT AVAILABLE			
KEY A, BLACK	34986-2199	A-BLK	GC-S	PLR	M					3	4										10											SALEABLE		349531610	NOT AVAILABLE			
KEY F, LIGHT GRAY	34986-2200	F-LG	GC-S	PLR	M						4	5																				SALEABLE		349531610	NOT AVAILABLE			
KEY A, BLACK	34986-2201	A-BLK	GC-S	PLR	M					3																							SALEABLE		349531610	NOT AVAILABLE		
KEY A, BLACK	34986-2202	A-BLK	GC-S	PLR	M			2													10	11											SALEABLE		349531610	NOT AVAILABLE		
KEY A, BLACK	34986-2203	A-BLK	GC-S	PLR	M			2				4																					SALEABLE		349531610	NOT AVAILABLE		
KEY A, BLACK	34986-2204	A-BLK	GC-S	PLR	M			2				4	5					7															SALEABLE		349531610	NOT AVAILABLE		
KEY A, BLACK	34986-2205	A-BLK	GC-S	PLR	M			2				4	5																				SALEABLE		349531610	NOT AVAILABLE		
KEY A, BLACK	34986-2206	A-BLK	GC-S	PLR	M													7															SALEABLE		349531610	NOT AVAILABLE		
KEY A, BLACK	34986-2207	A-BLK	GC-S	PLR	M							4	5	6																			SALEABLE		349531610	NOT AVAILABLE		
KEY A, BLACK	34986-2208	A-BLK	GC-S	PLR	M					3																								SALEABLE		349531610	NOT AVAILABLE	
KEY A, BLACK	34986-2209	A-BLK	GC-S	PLR	M			2																										SALEABLE		349531610	NOT AVAILABLE	
KEY H, YELLOW, WITH S.B.	34986-2210	H-YW	GC-SB6	PLR	M	6		SB	SB	SB	SB	SB	SB	SB	SB																			SALEABLE		349531610	NOT AVAILABLE	
KEY A, BLACK	34986-2211	A-BLK	GC-S	PLR	M							4	5	6																				SALEABLE		349531610	NOT AVAILABLE	
KEY A, BLACK	34986-2212	A-BLK	GC-S	PLR	M																													SALEABLE		349531610	NOT AVAILABLE	
KEY A, BLACK	34986-2213	A-BLK	GC-S	PLR	M			2																										SALEABLE		349531610	NOT AVAILABLE	
KEY A, BLACK	34986-2214	A-BLK	GC-S	PLR	M			2																										SALEABLE		349531610	NOT AVAILABLE	
KEY A, BLACK	34986-2215	A-BLK	GC-S	PLR	M			2		3				5	6																			SALEABLE		349531610	NOT AVAILABLE	
KEY A, BLACK	34986-2216	A-BLK	GC-S	PLR	M						3	4																						SALEABLE		349531610	NOT AVAILABLE	
KEY A, BLACK	34986-2217	A-BLK	GC-S	PLR	M							3	4																					SALEABLE		349531610	NOT AVAILABLE	
KEY A, BLACK	34986-2218	A-BLK	GC-S	PLR	M			2																										SALEABLE		349531610	NOT AVAILABLE	
KEY A, BLACK	34986-2219	A-BLK	GC-S	PLR	M			2																											SALEABLE		349531610	NOT AVAILABLE
KEY A, BLACK	34986-2220	A-BLK	GC-S	PLR	M			2																											SALEABLE		349531610	NOT AVAILABLE
KEY A, BLACK	34986-2221	A-BLK	GC-S	PLR	M																														SALEABLE		349531610	NOT AVAILABLE
KEY A, BLACK	34986-2222	A-BLK	GC-S	PLR	M																														SALEABLE		349531610	NOT AVAILABLE
KEY A, BLACK	34986-2223	A-BLK	GC-S	PLR	M																														SALEABLE		349531610	NOT AVAILABLE
KEY B, LIGHT GRAY	34986-2224	B-LG	GC-S	PLR	M																													SALEABLE		349531610	NOT AVAILABLE	
KEY B, LIGHT GRAY	34986-2225	B-LG	GC-S	PLR	M					3	4																								SALEABLE		349531610	NOT AVAILABLE
KEY B, LIGHT GRAY	34986-2226	B-LG	GC-S	PLR	M																														SALEABLE		349531610	NOT AVAILABLE
KEY A, BLACK	34986-2227	A-BLK	GC-S	PLR	M							4	5																						SALEABLE		349531610	NOT AVAILABLE
KEY A, BLACK	34986-2228	A-BLK	GC-S	PLR	M																														SALEABLE		349531610	NOT AVAILABLE
KEY A, BLACK	34986-2229	A-BLK	GC-S	PLR	M								4																						SALEABLE		349531610	NOT AVAILABLE
KEY A, BLACK	34986-2230	A-BLK	GC-S	PLR	M																														SALEABLE		349531610	NOT AVAILABLE
KEY A, BLACK	34986-2231	A-BLK	GC-S	PLR	M			2																											SALEABLE		349531610	NOT AVAILABLE
KEY A, BLACK	34986-2232	A-BLK	GC-S	PLR	M			2		3																									SALEABLE		349531610	NOT AVAILABLE
KEY A, BLACK	34986-2233	A-BLK	GC-S	PLR	M																														SALEABLE		349531610	NOT AVAILABLE
KEY A, BLACK	34986-2234	A-BLK	GC-S	PLR	M																														SALEABLE		349531610	NOT AVAILABLE
KEY A, BLACK	34986-2235	A-BLK	GC-S	PLR	M																														SALEABLE		349531610	NOT AVAILABLE
KEY A, BLACK	34986-2236	A-BLK	GC-S	PLR	M			2																											SALEABLE		349531610	NOT AVAILABLE
KEY B, LIGHT GRAY	34986-2237	B-LG	GC-S	PLR	M																														SALEABLE		349531610	NOT AVAILABLE
KEY A, BLACK	34986-2238	A-BLK	GC-S	PLR	M			2		3																									SALEABLE		349531610	NOT AVAILABLE
KEY A, BLACK	34986-2239	A-BLK	GC-S	PLR	M																														SALEABLE		349531610	NOT AVAILABLE
KEY A, BLACK	34986-2240	A-BLK	GC-S	PLR	M																														SALEABLE		349531610	NOT AVAILABLE
KEY A, BLACK	34986-2241	A-BLK	GC-S	PLR	M																														SALEABLE		349531610	NOT AVAILABLE
KEY A, BLACK	34986-2242	A-BLK	GC-S	PLR	M			2																											SALEABLE		349531610	NOT AVAILABLE
KEY A, BLACK	34986-2243	A-BLK	GC-S	PLR	M																														SALEABLE		349531610	NOT AVAILABLE
KEY A, BLACK	34986-2244	A-BLK	GC-S	PLR	M																														SALEABLE		349531610	NOT AVAILABLE
KEY A, BLACK	34986-2245	A-BLK	GC-S	PLR	M			2		3																									SALEABLE		349531610	NOT AVAILABLE
KEY A, BLACK	34986-2246	A-BLK	GC-S	PLR	M			2		3																									SALEABLE		349531610	NOT AVAILABLE
KEY A, BLACK	34986-2247	A-BLK	GC-S	PLR	M																														SALEABLE		349531610	NOT AVAILABLE
KEY A, BLACK	34986-2248	A-BLK	GC-S	PLR	M																														SALEABLE		349531610	NOT AVAILABLE
KEY A, BLACK	34986-2249	A-BLK	GC-S	PLR	M			2																											SALEABLE		349531610	NOT AVAILABLE
KEY A, BLACK	34986-2250	A-BLK	GC-S	PLR	M																														SALEABLE		349531610	NOT AVAILABLE
KEY A, BLACK	34986-2251	A-BLK	GC-S	PLR	M																														SALEABLE		349531610	NOT AVAILABLE
KEY B, LIGHT GRAY	34986-2252	B-LG	GC-S	PLR	M																														SALEABLE		349531610	NOT AVAILABLE
KEY B, LIGHT GRAY	34986-2253	B-LG	GC-S	PLR	M																														SALEABLE		349531610	NOT AVAILABLE
KEY B, LIGHT GRAY	34986-2254	B-LG	GC-S	PLR	M																														SALEABLE		349531610	NOT AVAILABLE

**MX150 16 WAY HYBRID BLADE SEALED ASSEMBLY MAT SEAL (2.8mm CAVITIES OPEN)
BOM AND PIN OUT SHEET**

ASSEMBLY DESCRIPTION	ASSEMBLY PART NUMBER	COMPONENT					BLOCKED TERMINALS																STATUS	COMMENTS	OPTIONAL ATTACHMENTS SOLD SEPERATELY		
		THE PRESENE OF AN ABBREVIATION INDICATES THE PRESENCE OF THAT COMPONENT.					CAVITY WITH A NUMBER INDICATES BLOCKED TERMINAL POSITION CAVITY WITHOUT A NUMBER INDICATES OPEN TERMINAL POSITION																		BACKSHELL WITH RIBS	BACKSHELL WITHOUT RIBS	
		HOUSING KEY/COLOR	GROMMET CAP	PLR	MAT SEAL	SB QTY	1	2	3	4	5	6	7	8	9	10	11	12	13	14	15	16					
KEY B, LIGHT GRAY	34986-2286	B-LG	GC-S	PLR	M				4	5	6	7			10	11								SALEABLE		349531610	NOT AVAILABLE
KEY B, LIGHT GRAY	34986-2287	B-LG	GC-S	PLR	M				4	5		7			10	11								SALEABLE		349531610	NOT AVAILABLE
KEY B, LIGHT GRAY	34986-2288	B-LG	GC-S	PLR	M												12		14					SALEABLE		349531610	NOT AVAILABLE
KEY A, BLACK	34986-2289	A-BLK	GC-S	PLR	M				4	5	6													SALEABLE		349531610	NOT AVAILABLE
KEY B, LIGHT GRAY	34986-2290	B-LG	GC-S	PLR	M											11								SALEABLE		349531610	NOT AVAILABLE
KEY B, LIGHT GRAY	34986-2291	B-LG	GC-S	PLR	M		2	3	4	5		7				11			14	15				SALEABLE		349531610	NOT AVAILABLE
KEY A, BLACK	34986-2292	A-BLK	GC-S	PLR	M		2			5		7			10	11	12	13		15				SALEABLE		349531610	NOT AVAILABLE
KEY A, BLACK	34986-2293	A-BLK	GC-S	PLR	M		2			5		7			10	11	12			15				SALEABLE		349531610	NOT AVAILABLE
KEY A, BLACK	34986-2294	A-BLK	GC-S	PLR	M		2	3	4						10	11	12		14	15				SALEABLE		349531610	NOT AVAILABLE