

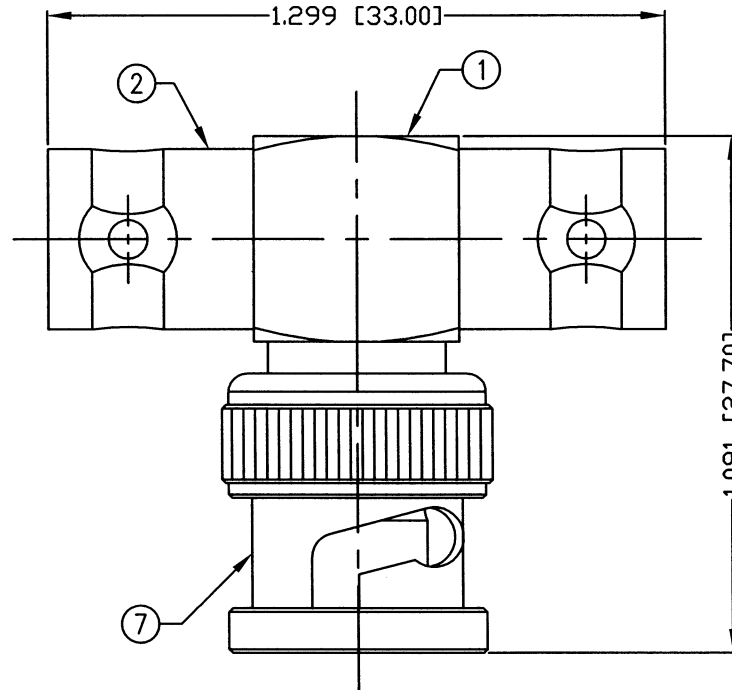
THIS DRAWING CONTAINS INFORMATION PROPRIETARY TO RF INDUSTRIES.
 ANY UNAUTHORIZED USE OF THIS DRAWING IS EXPRESSLY PROHIBITED
 WITHOUT WRITTEN PERMISSION FROM RF INDUSTRIES.
 ANY VIOLATION IS PUNISHABLE UNDER U.S. COPYRIGHT LAWS.

ALL DIMENSIONS ARE REFERENCE ONLY

PART NO.

RFB-1130

REV	DESCRIPTION	DWN	DATE	APPROVED
A	ENGINEERING RELEASE	CJ	4/27/92	J. BENZ
B	CREATE SECTION DRAWING	KMM	2/6/96	R. RICE
C	CHANGE SHELL, BODY, PIN & DIE DIMENSIONS TO STANDARDIZE	CZS	9/27/99	R. RICE
D	CHANGE FORMAT, SPECS & DWG # 7518	GCG	1/28/02	JDMc



SPECIFICATIONS:

IMPEDANCE: 50 Ohms
 FREQUENCY RANGE: 0-2 GHz
 WORKING VOLTAGE: 500 V rms @ sea level
 TEMPERATURE RANGE: -65°C TO 85°C
 INSULATION RESISTANCE: 5k M Ohms min.

1	BODY	1	BRASS	NICKEL, 100μ"	000486	
2	BODY	2	BRASS	NICKEL, 100μ"		
3	CONTACT	1	BRASS	GOLD, 3μ"		
4	PIN	1	BRASS	GOLD, 3μ"		
5	INSULATOR	2	PTFE	----		
6	INSULATOR	1	PTFE	----		
7	SHELL	1	BRASS	NICKEL, 100μ"		
8	WASHER	1	BRASS	NICKEL, 100μ"		
9	SPRING	1	SK-5	NICKEL, 100μ"		
10	LOCK WASHER	1	BRASS	NICKEL, 100μ"		
11	GASKET	1	RUBBER	----		
12						
13						
14						
#	DESCRIPTION	QTY	MATRL	FINISH	APPROVALS	DATE

UNLESS OTHERWISE SPECIFIED:

1. REMOVE ALL BURRS
2. BREAK ALL CORNERS & EDGES .005 R. MAX.
3. CHAMFER 1ST & LAST THREADS 45°
4. SURFACE ROUGHNESS 63 FINISH MIL-STD-10
5. DIAMETERS ON COMMON CENTERS TO BE CONCENTRIC WITHIN .002 T.I.R.
6. ALL DIMENSIONS ARE AFTER PLATING.

DIMENSIONS ARE IN INCHES
 AND [MILLIMETERS]

UNLESS OTHERWISE NOTED
 TOLERANCES ARE:

DECIMALS	DIAMETER
.xxx±.003 [.08]	.xxx±.001 [.03]
.xx±.005 [.13]	.xx±.003 [.08]

RF connectors
 DIVISION OF RF INDUSTRIES, LTD.

7610 MIRAMAR RD
 SAN DIEGO, CA 92126
 (858) 549-6340
 (858) 549-6345 FAX

BNC PLUG

TO DOUBLE BNC JACK ADAPTER

SIZE	CABLE GROUP	DWG NO.	REV
A	N/A	RFB-1130	D
SCALE: NTS		CAD FILE OUTLINE	SHEET 1 OF 1