

PAGE 1/2

ISSUE 11.04.14

SERIE : SPnT

PART NUMBER : R574433810

RF CHARACTERISTICS

Number of ways : **8**
 Frequency range : **0 - 18 GHz**
 Impedance : **50 Ohms**

| Frequency (GHz) | DC - 3 | 3 - 8 | 8 - 12.4 | 12.4 - 16 | 16 - 18 |
|--------------------|----------------|----------------|----------------|----------------|----------------|
| VSWR max | 1.20 | 1.30 | 1.40 | 1.50 | 1.60 |
| Insertion loss max | 0.20 dB | 0.30 dB | 0.40 dB | 0.55 dB | 0.60 dB |
| Isolation min | 80 dB | 70 dB | 60 dB | 60 dB | 60 dB |
| Average power (*) | 240 W | 150 W | 120 W | 110 W | 100 W |

TERMINATION IMPEDANCE : **50 Ohms**
 TERM. AVG. POWER AT 25° C : **1 W per termination / 3 W total power**

ELECTRICAL CHARACTERISTICS

Actuator : **LATCHING**
 Nominal current ** : **125 mA / RESET : 1000 mA ******
 Actuator voltage (Vcc) : **28V (24 to 30V) / POSITIVE COMMON**
 Terminals : **solder pins (250°C max. / 30 sec.)**
 Indicator rating : **1 W / 30 V / 100 mA**

MECHANICAL CHARACTERISTICS

Connectors : **SMA female per MIL-C 39012**
 Life : **2.000.000 cycles per position**
 Switching Time*** : **< 15 ms**
 Construction : **Splashproof**
 Weight : **< 280 g**

ENVIRONMENTAL CHARACTERISTICS

Operating temperature range : **-40°C to +85°C**
 Storage temperature range : **-55°C to +85°C**

(* Average power at 25°C per RF Path)

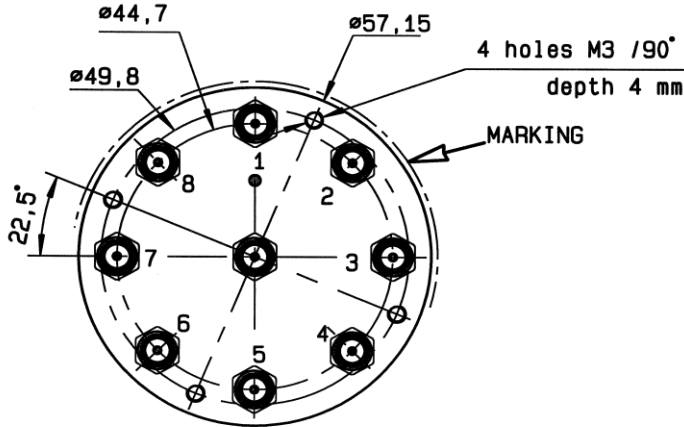
(** At 25° C ±10%)

(*** Nominal voltage ; 25° C)

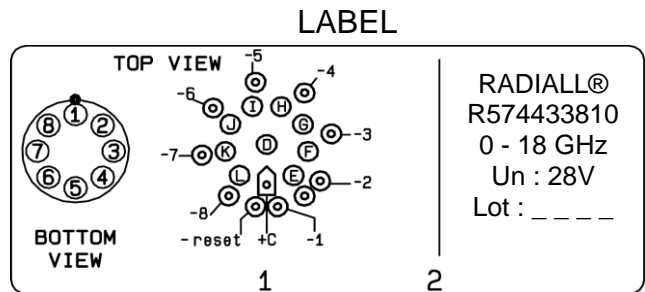
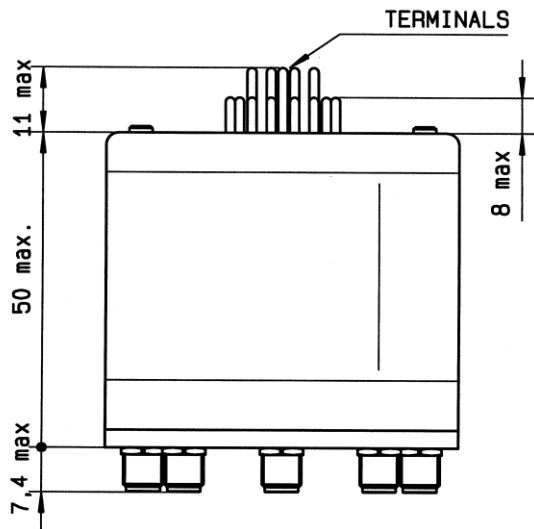
(**** Reset : supply voltage time 1sec. max. / duty cycle 10%)



DRAWING



| Voltage | RF Continuity | Ind. |
|-----------|----------------|------|
| +C -RESET | All ports open | -- |
| +C -1 | IN ↔ 1 | D.E |
| +C -2 | IN ↔ 2 | D.F |
| +C -3 | IN ↔ 3 | D.G |
| +C -4 | IN ↔ 4 | D.H |
| +C -5 | IN ↔ 5 | D.I |
| +C -6 | IN ↔ 6 | D.J |
| +C -7 | IN ↔ 7 | D.K |
| +C -8 | IN ↔ 8 | D.L |



General tolerances : ±0.5 mm

SCHEMATIC DIAGRAM

