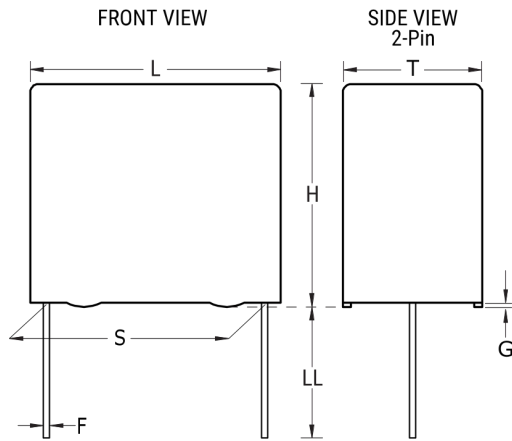


PHE450MK3390JR05

Aliases (F450KG391J630C)

Not for New Design

PHE450/F450, Film, Double Metallized Polypropylene, General Purpose, 390 pF, 5%, 630 VDC, 85°C, Lead Spacing = 7.5mm



Click [here](#) for the 3D model.

Dimensions	
L	10mm -0.5mm
H	8mm -0.5mm
T	4mm -0.5mm
S	7.5mm +0.4/-0.4mm
LL	5mm -1mm
F	0.6mm +/-0.05mm
G	0.5mm NOM

Packaging Specifications	
Packaging	Bulk, Bag
Packaging Quantity	1000

General Information	
Series	PHE450/F450
Dielectric	Double Metallized Polypropylene
Style	Radial
Features	Pulse
RoHS	Yes
Lead	Wire Leads
AEC-Q200	No
Component Weight	0.485 g
Miscellaneous	The Rated Voltage Decreases 1.3%/C Between +85C And +105C. Rthha= 160 C/W (85C), 0.2 m/s.
Notes	Series Replaced by R76.

Specifications	
Capacitance	390 pF
Capacitance Tolerance	5%
Voltage AC	300 VAC
Voltage DC	630 VDC (85C), 466.2 VDC (105C)
Temperature Range	-55/+105°C
Rated Temperature	85°C
Dissipation Factor	0.03% 1kHz, 0.04% 10kHz, 0.15% 100kHz
Insulation Resistance	100 GOhms
Max dV/dt	2000 V/us
Inductance	6 nH