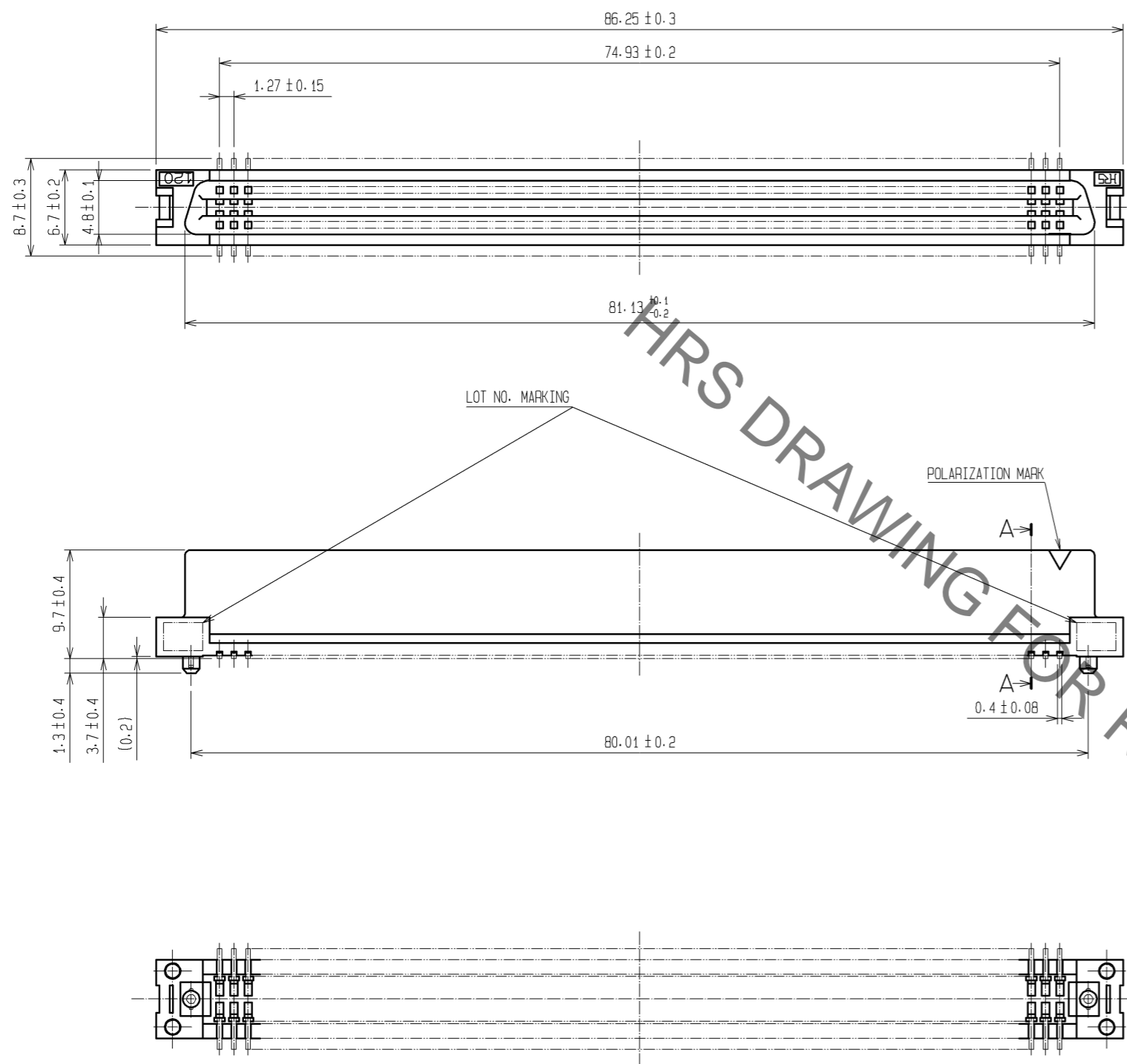
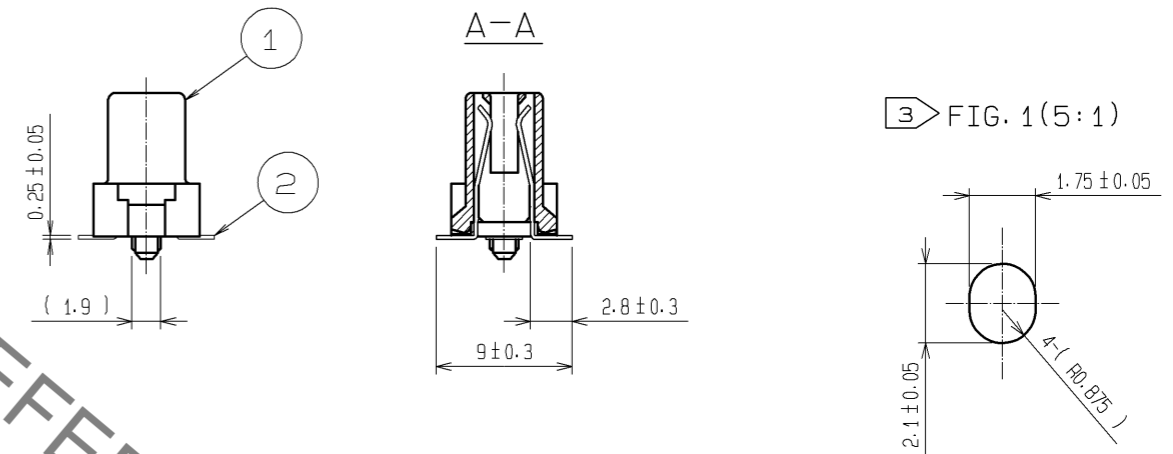
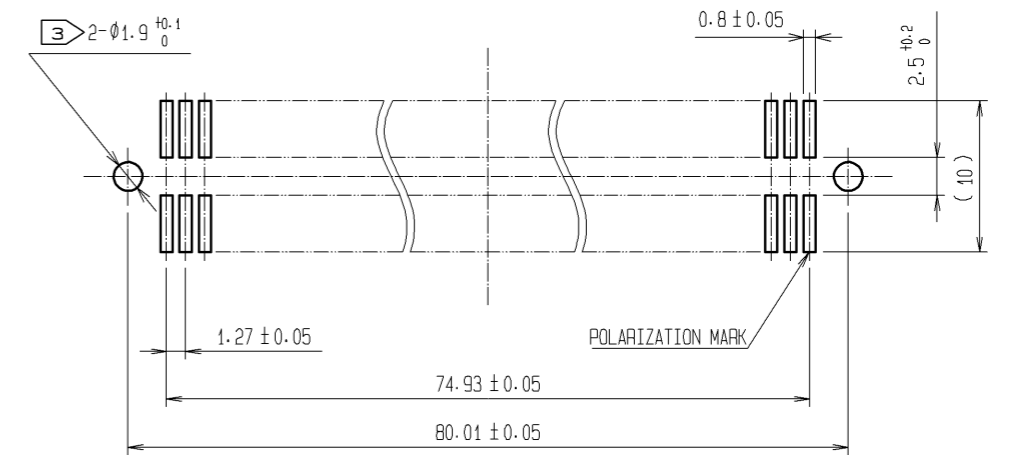


Aug.1.2019 Copyright 2019 HIROSE ELECTRIC CO., LTD. All Rights Reserved.
In case of consideration for using Automotive equipment / device which demand high reliability, kindly contact our sales window correspondents.



RECOMMENDED LAND PATTERN DIMENSION OF PCB (MOUNTING SIDE) (FREE)
(RECOMMENDED METAL MASK THICKNESS: $t=0.2$)



- NOTES
- 1 LEAD CO-PLANARITY SHALL BE 0.15 MAX.
 - 2 THE DIMENSIONS IN PARENTHESES ARE FOR REFERENCE.
 - 3 IN CASE OF THE AUTOMATED MOUNTING, RECOMMENDED HOLE DIAMETER OF BOSS IS SHOWN IN FIG. 1.

1	PPS	LIGHT BROWN	UL94V-0	2	PHOSPHOR BRONZE	CONTACT AREA:GOLD 0.2 μ m min. LEAD AREA:TIN-PLATING 2 μ m min. UNDER PLATING:NICKEL 1.5 μ m min.
NO.	MATERIAL	FINISH . REMARKS		NO.	MATERIAL	FINISH . REMARKS
UNITS		SCALE	COUNT	DESCRIPTION OF REVISIONS		DESIGNED
mm		2 : 1				CHECKED
HRS HIROSE ELECTRIC CO., LTD.		APPROVED : HS. OKAWA	08.05.23	DRAWING NO. EDC3-082426-21		DATE
		CHECED : HS. OZAWA	08.05.23	PART NO. FX2-120S-1.27SV(71)		
		DESIGNED : KY. NAKAMURA	08.05.23	CODE NO. CL572-2109-5-71		
		DRAWN : TP. MATSUMOTO	08.05.22			