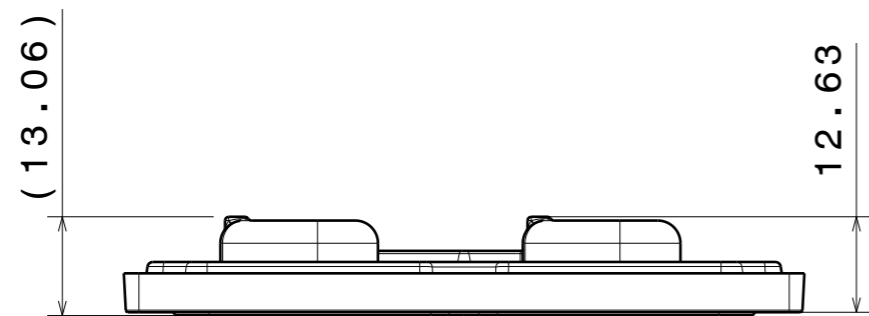


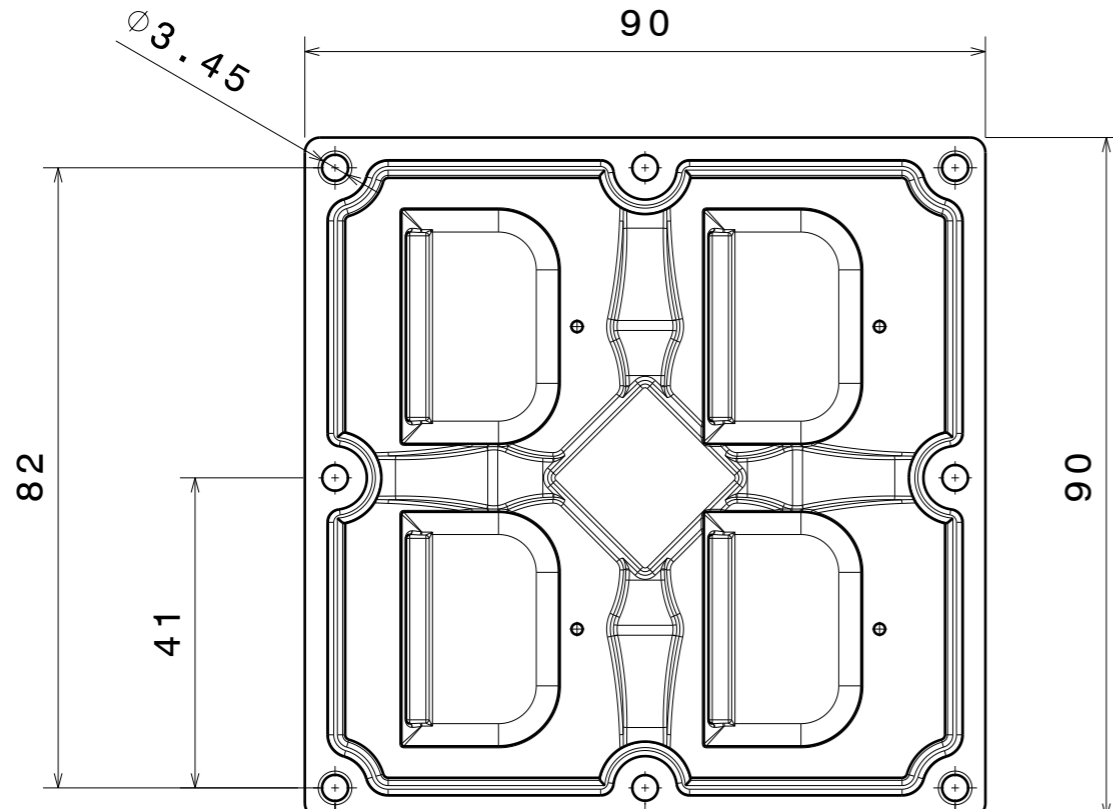
H G F E D C B A

4

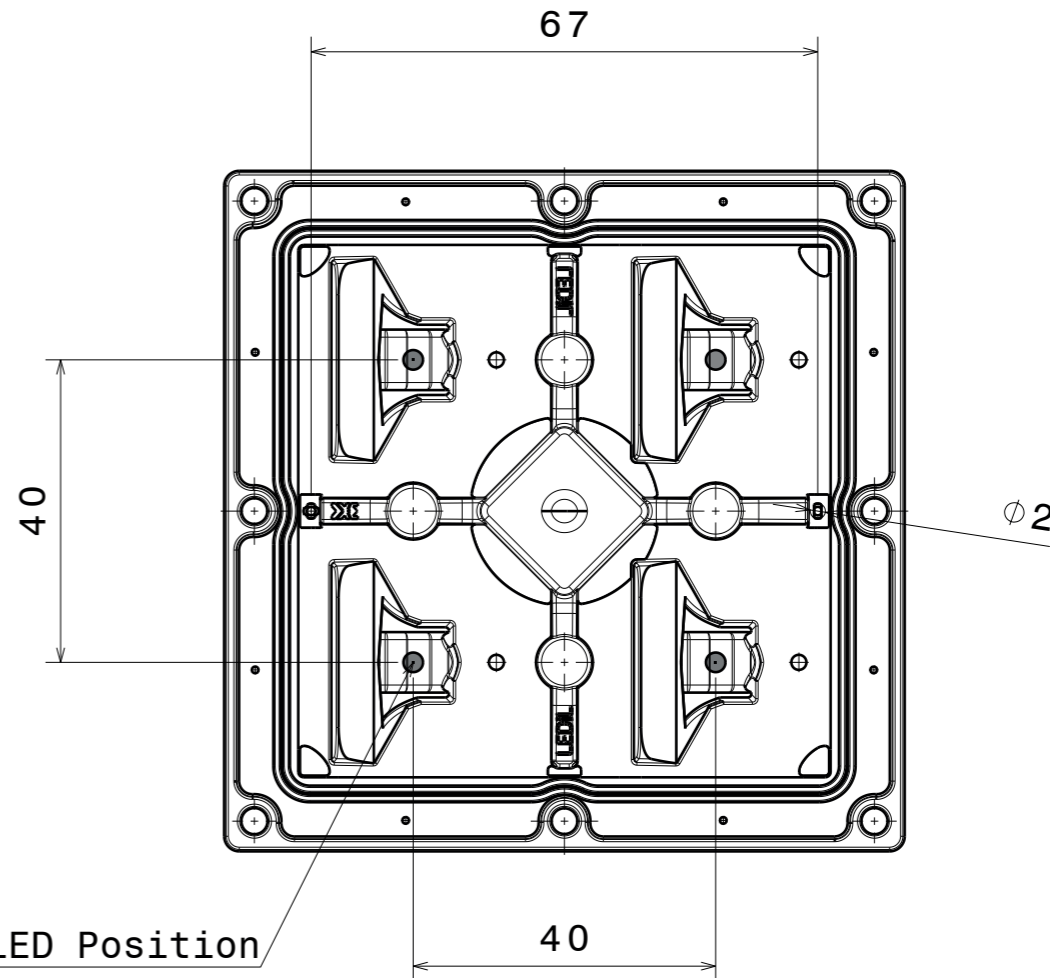


Bottom view

3



Top view



LED Position

Bottom view

INDEX	PART NO	DESCRIPTION	MATERIAL	COLOUR
1	C15770	STRADA-2X2MX-8-T2	PMMA	
2	C15757	STRADA-2X2MX-8-SEAL	silicone	white

Plastic moulding general tolerances according to DIN 16901-130 and applies if not otherwise shown in the drawing.  
Silicone moulding general tolerances according to ISO 3302-1 Class M3 and applies if not otherwise shown in the drawing.

**LEDiL** Ledil Oy  
Salorankatu 10  
FIN 24240 SALO  
Finland

THIRD ANGLE PROJECTION:

DRAWING TITLE  
**CS15771\_STRADA-2X2MX-8-T2**

This drawing is the property of LEDiL Oy. It may not be reproduced, copied or communicated without a written agreement with LEDiL Oy.

SIZE PART NUMBER  
**A3 CS15771**

SCALE 1:1 WEIGHT 42 g SHEET 1/1

1

H G F E D C B A