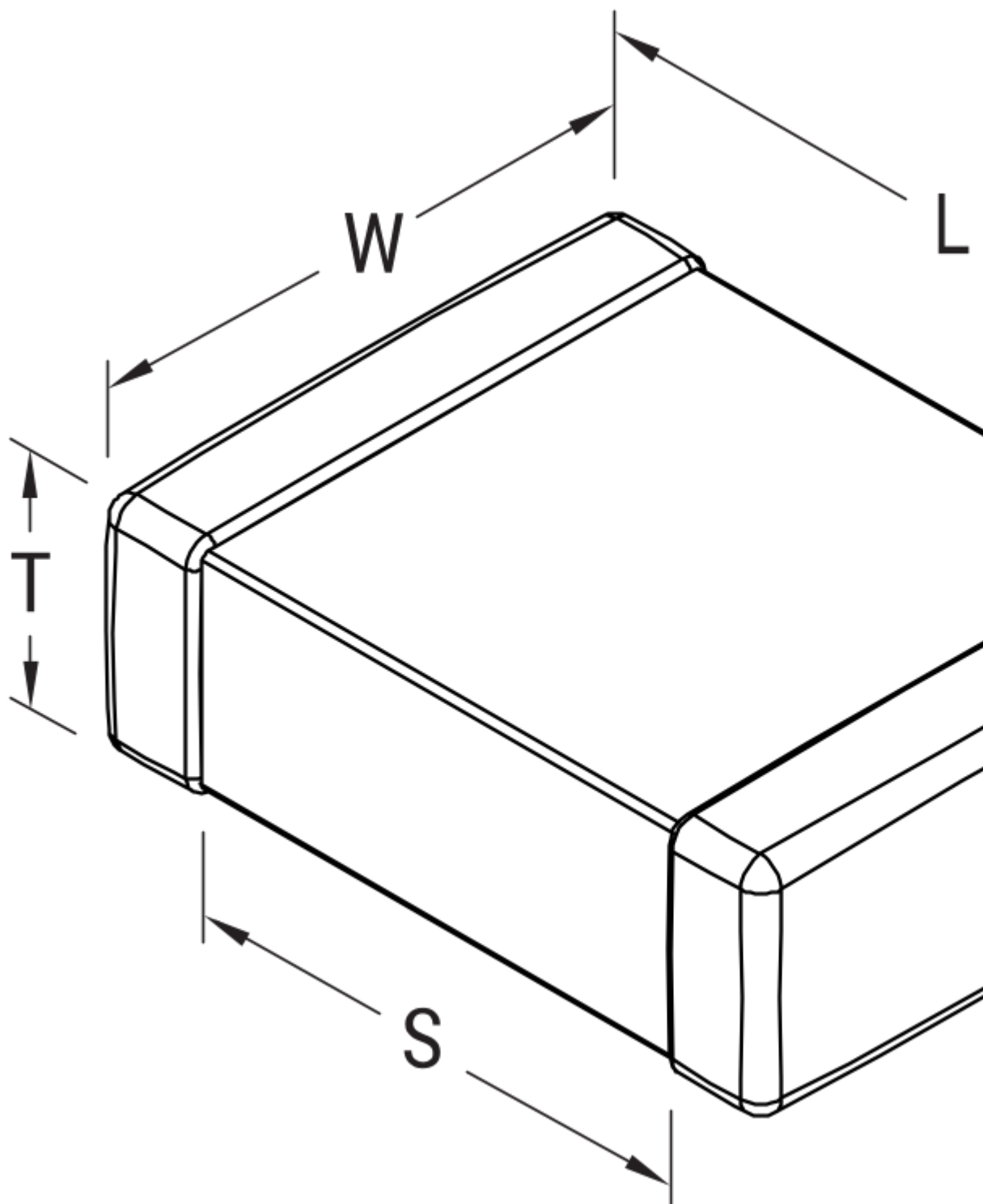


CAS18C471GAGGC

CAS SMD SFTY 250, Ceramic, 470 pF, 2%, COG, Industrial Grade, Safety MLCC, X2, 1812



Click [here](#) for the 3D model.

Dimensions

Chip Size 1812

L 4.5mm +0.5/-0.3mm

W 3.2mm +/-0.4mm

T 1.25mm +/-0.1mm

S 3.5mm MIN

Dimensions

B 0.5mm +/-0.25mm

Packaging Specifications

Packaging T&R

Packaging Quantity 1000

General Information

Series CAS SMD SFTY 250

Style SMD Chip

Description Industrial Grade, Safety MLCC

RoHS Yes

Termination Tin

Safety Class X2

Qualifications ENEC, UL, IEC

AEC-Q200 No

Halogen Free Yes

Specifications

Capacitance	470 pF
Measurement Condition	1 MHz 1.0Vrms
Capacitance Tolerance	2%
Voltage AC	250 VAC (X2)
Temperature Range	-55/+125°C
Temperature Coefficient	C0G
Capacitance Change with Reference to +25°C and 0 VDC Applied (TCC)	30 ppm/C, 1kHz 1.0Vrms
Insulation Resistance	100 GOhms
Quality Factor	1000

Statements of suitability for certain applications are based on our knowledge of typical operating conditions for such applications, but are not intended to constitute - and we specifically disclaim - any warranty concerning suitability for a specific customer application or use. This Information is intended for use only by customers who have the requisite experience and capability to determine the correct products for their application. Any technical advice inferred from this Information or otherwise provided by us with reference to the use of our products is given gratis, and we assume no obligation or liability for the advice given or results obtained.

Generated 5/18/2023 - cf450daf-289d-4276-b524-a0d6ef88bb32

© 2006 - 2023 KEMET

Generated 5/18/2023 - cf450daf-289d-4276-b524-a0d6ef88bb32

© 2006 - 2023 KEMET