

NOTES: UNLESS OTHERWISE SPECIFIED

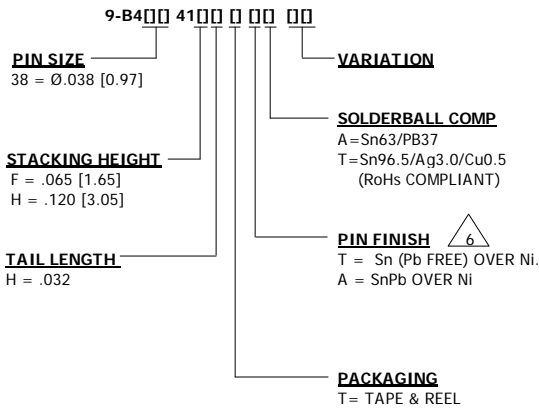
1. INTERPRET DRAWING IN ACCORDANCE WITH ASME Y14.5M -1994.
2. PARTS TO BE PACKAGED IN TAPE & REEL PER EIA STD-481.
3. MATERIALS: PIN= COPPER; INSULATOR= FR-4 GLASS EPOXY; SOLDERBALL MATERIAL= SnPb (BLACK) & Pb FREE (BLUE).
4. RECOMMENDED PICK HEIGHT: .022 [0.56] FROM TOP OF POCKET.
5. SOLDERABILITY PER IPC/EIA J-STD-002, TEST A, CATEGORY 3.
6. PREPROCESSED COPPER PIN TO BE PLATED WITH 300µ"-500µ" [7.60µm-12.7µm] THICK MATTE Sn (Pb FREE) OR SnPb OVER 100µ"-200µ" [2.54µm-5.08µm] Ni, INSPECTED PER AUTOSPlice WORK INSTRUCTION 4.10-14 REV 'A'.

PART NUMBER LIST

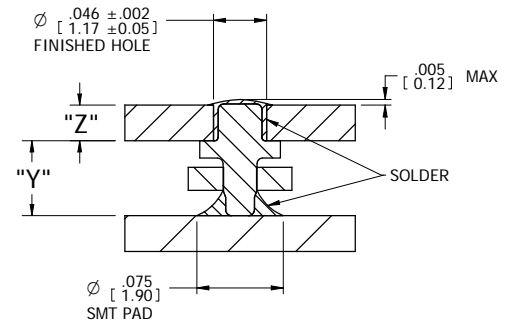
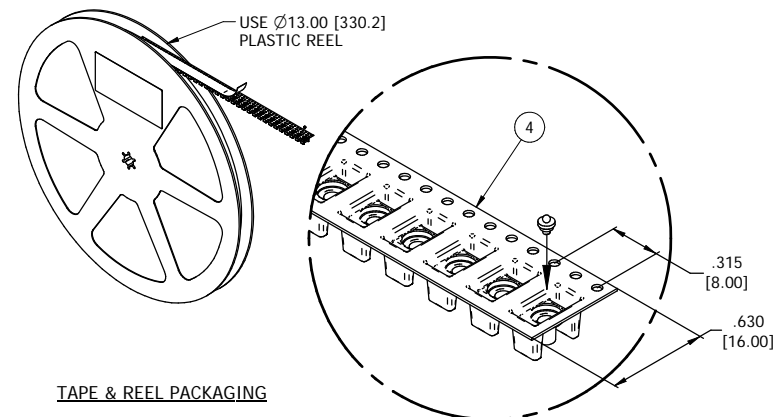
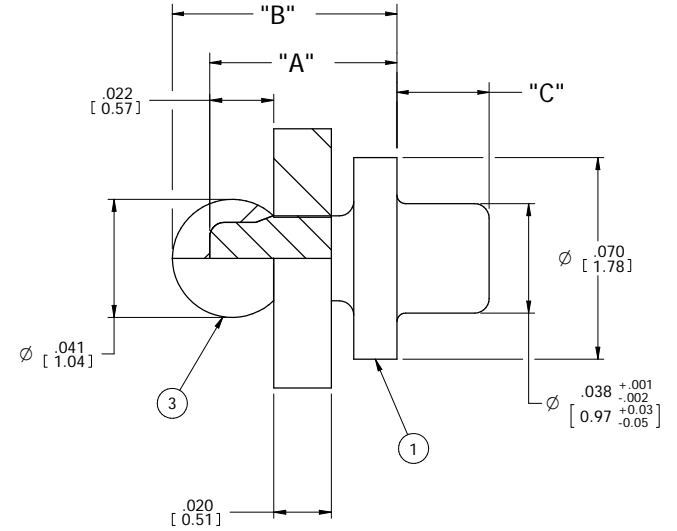
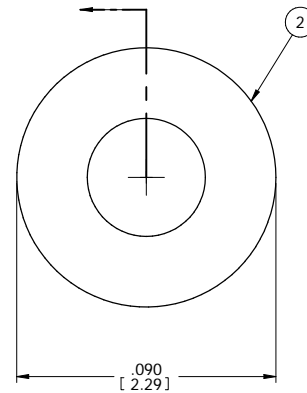
PART NUMBER	"A"	"B"	"C"	"Y"	"Z" MIN	INSULATOR COLOR	QTY/REEL
9-B43841FHHTA	.065 [1.65]	.078±.004 [1.98±0.10]	.032+.000/-0.02 [0.81+0.00/-0.05]	.070 [1.78]	.042 [1.06]	BLACK	2,000±15%
9-B43841FHHTT						BLUE	
9-B43841HHHTA	.120 [3.05]	.133±.004 [3.38±0.10]		.125 [3.18]		BLACK	1,700±15%
9-B43841HHHTT						BLUE	
9-B43841HHHTA						BLACK	

REV	REVISION RECORD	ECN	BY	APVD	DATE
A	INITIAL RELEASE	505122	HR	PVB	09/20/07
B	CHANGE "HOLE SIZE" TO "PIN SIZE"	505224	HR	PVB	12/18/07
C	ADD P/N PER EWR105675	505160	HR	PVB	01/29/08
D	CHANGE PLATING NOTE PER EWR106140	505527	HR	PVB	9/4/2008
E	CHANGE PLATING NOTE PER EWR106568	505810	RJB	PVB	7/10/2009
F	ADDED P/N 9-B3841HHHTAA & ADDED "A" TO PIN FINISH PER EWR 107154	506197	KR	PVB	3/7/2011
G	NOTE 6 ADDED "OR SnPb"	506212	KR	PVB	3/23/2011

PART NUMBER BREAKDOWN



(FOR ALL NEW PART NUMBERS CONSULT THE APPROPRIATE PART NUMBER LOG)



- MATERIAL:**
1. **PIN:** COPPER
 2. **INSULATOR:** FR-4 GLASS FILLED EPOXY
 3. **SOLDERBALL:** SnPb (BLACK) & Sn (BLUE) Pb FREE
 4. **PACKAGING TAPE:** ANTI-STATIC, CONDUCTIVE POLYSTYRENE, COLOR: BLACK

CUSTOMER DRAWING

TOLERANCES UNLESS OTHERWISE SPECIFIED DIMENSIONS IN INCHES (mm)		autosplICE		AutosplICE, Inc. 10121 Barnes Canyon Rd. San Diego, CA 92121-2725 858.535.0077	
DECIMAL: .XX = ±.01 [X.X] = ±0.3 [X.XX] = ±.005 [X.XX] = ±0.13	ANGULAR: ±5°	DATE: 12/01/07	ENGINEERED BY: H REYNOLDS	DATE: 12/01/06	REVISION: G
TITLE: STD SOLDERBALL PIN ASSEMBLY					
SIZE: C	FORM NO: OAE89	ORDER NUMBER: C9-B43841	REV: G	DRAWN BY: G	
SCALE: 20:1 CAD NO: C9-B43841 Dwg. 01 MODEL NO: 9-B43841					

The drawing and the information set forth hereon are the property of AutosplICE, Inc. and are to be held in trust and confidence. Publication, disclosure, or use for any purpose not expressly authorizing in writing by AutosplICE, Inc. is prohibited.