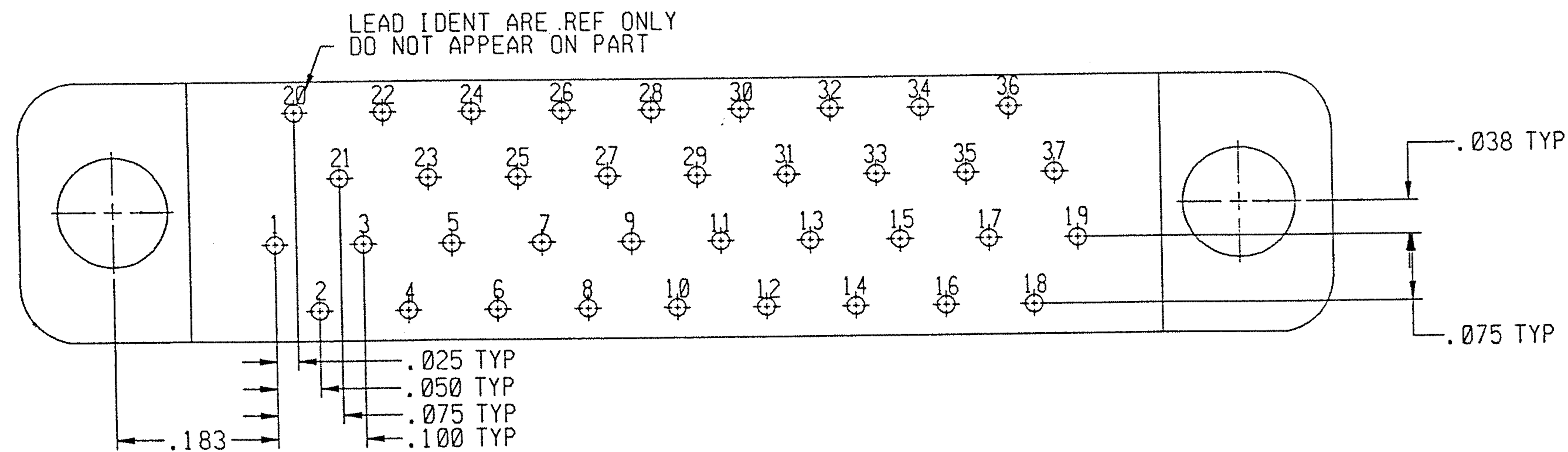
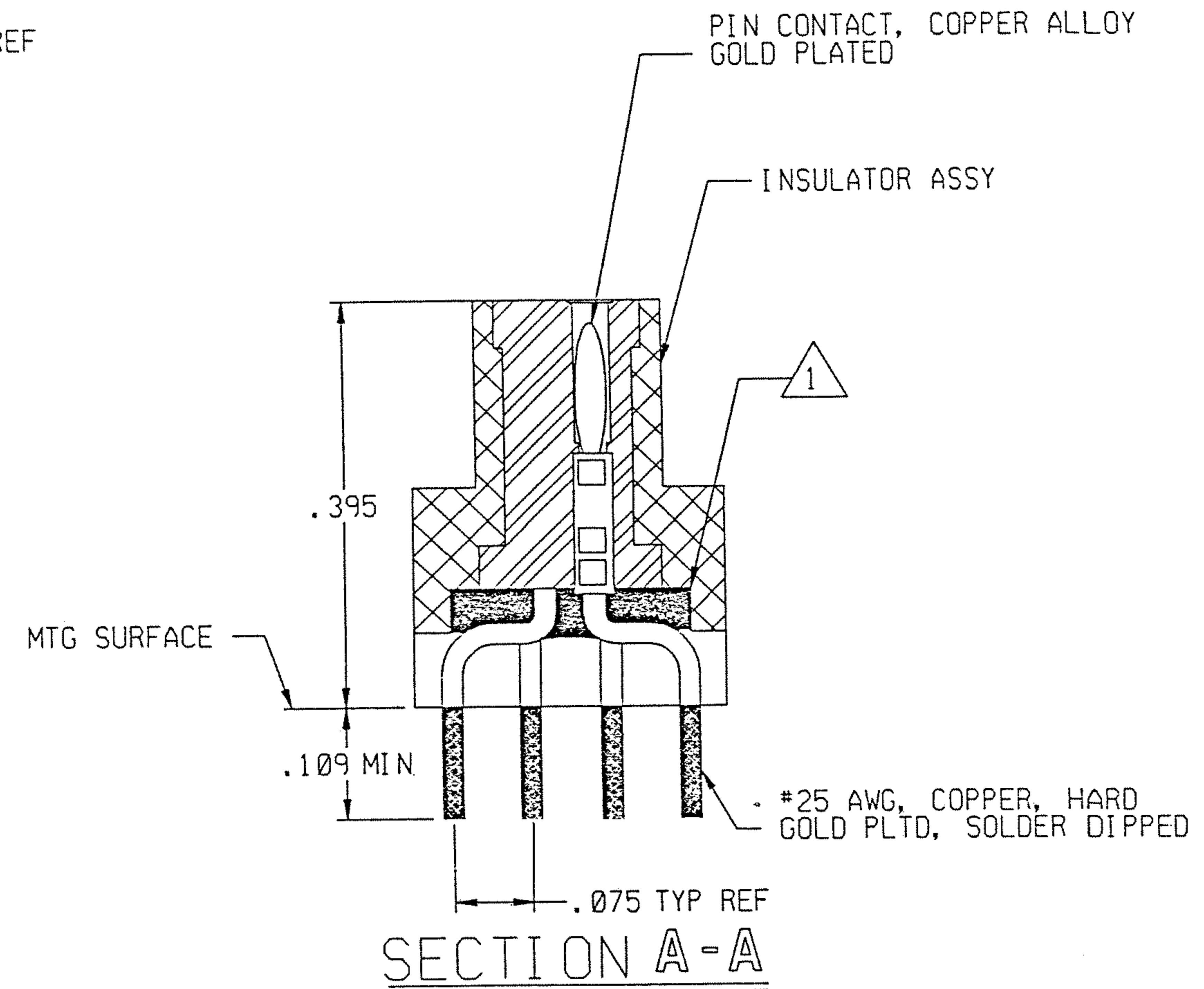
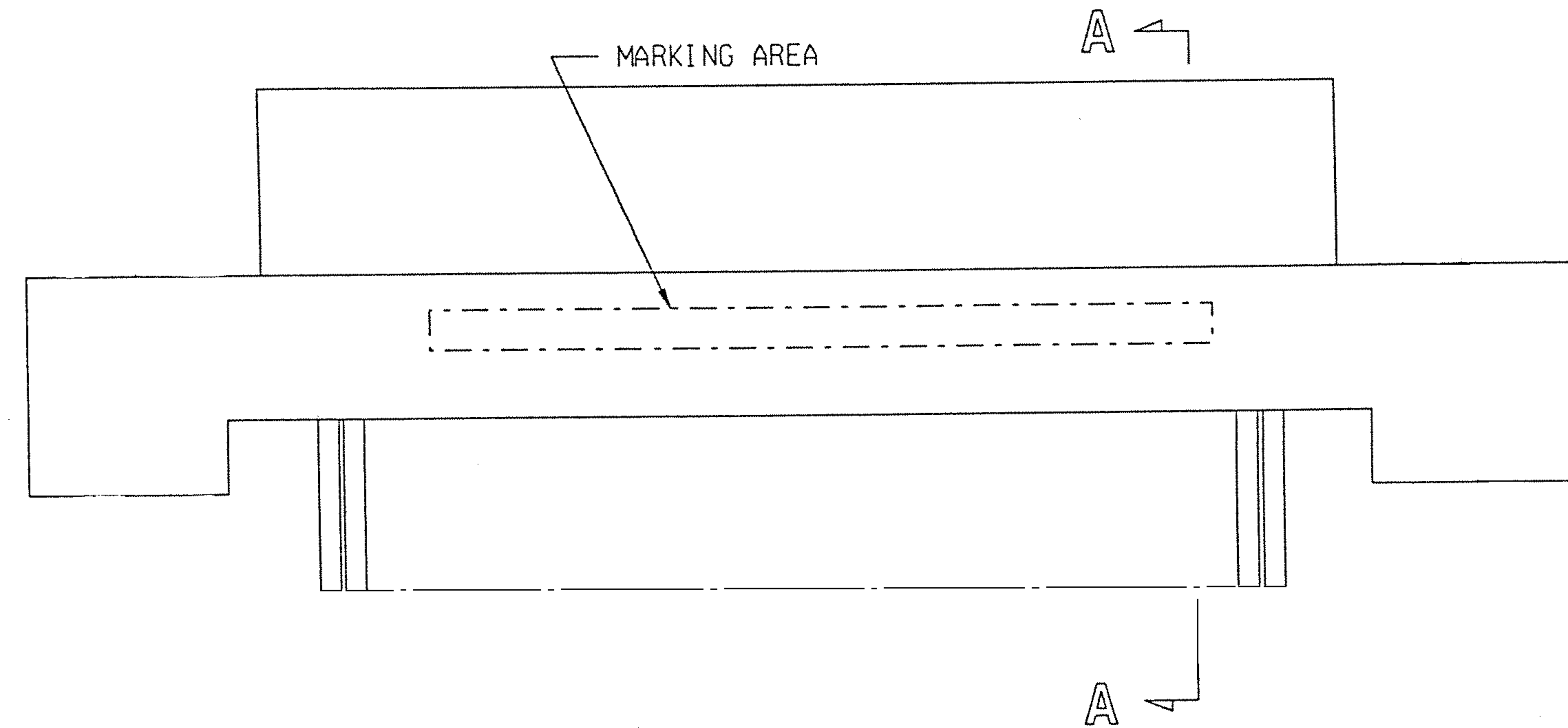
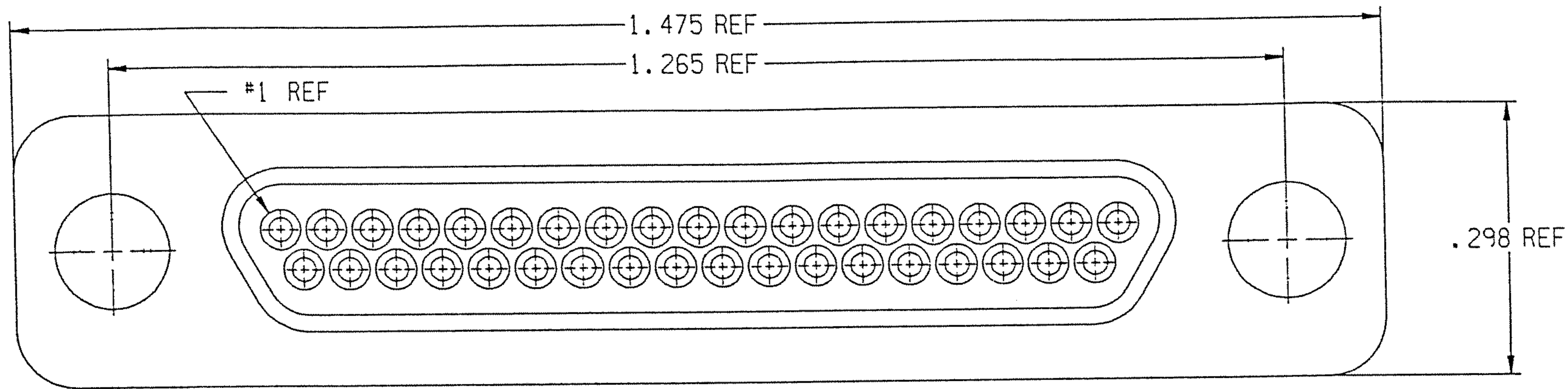

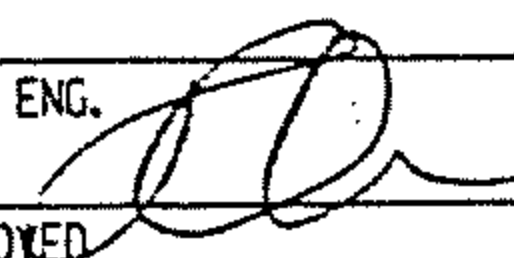


ZONE	LTR	ECN	DESCRIPTION	DATE	APPROVED
	C		UPDATE PER ECO-10-017486	8/25/10	PJS



NOTES: UNLESS OTHERWISE SPECIFIED  
 1. EPOXY AS SHOWN.

UNLESS OTHERWISE SPECIFIED DIMENSIONS ARE IN INCHES. TOLERANCE ARE:			APPROVALS		 <b>MICRODOT CONNECTORS</b> A DIVISION OF UNI-STAR INDUSTRIES INC. 306 PASADENA AVE., SO. PASADENA, CA 91030	
FRACTIONS	DECIMALS	ANGLES	SIGNATURE	DATE		
± 1/8	.XX ± .01 .XXX ± .005	± 2°	MEL F. CAMPOS	03/18/95	<b>METAL SHELL 'D' CONNECTOR</b> MCK-**-B-37PST2 (CACTUS BEND) 094-5605-0002	
MATERIAL:			CHECKED			PROD CODE 845
FINISH:			PRD. ENG. 	4/7/95		CODE CDM
THIS DOCUMENT IS THE PROPERTY OF MICRODOT CONNECTORS, A DIVISION OF UNI-STAR INDUSTRIES INC. USE OF THIS DOCUMENT OR ANY PART THEREOF IS STRICTLY FORBIDDEN WITHOUT THE EXPRESS WRITTEN PERMISSION OF MICRODOT CONNECTORS, A DIVISION OF UNI-STAR INDUSTRIES INC.			SIZE CODE IDENT NO. DRAWING NO. <b>B 98278 9-1532137-7</b>		SCALE: NONE	
					SHEET 1 OF 1	

4

3

2

1