

4

3

2

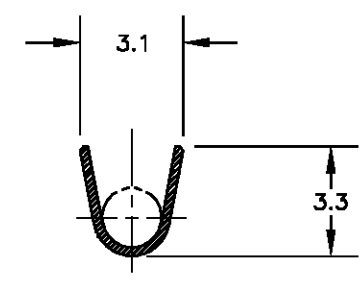
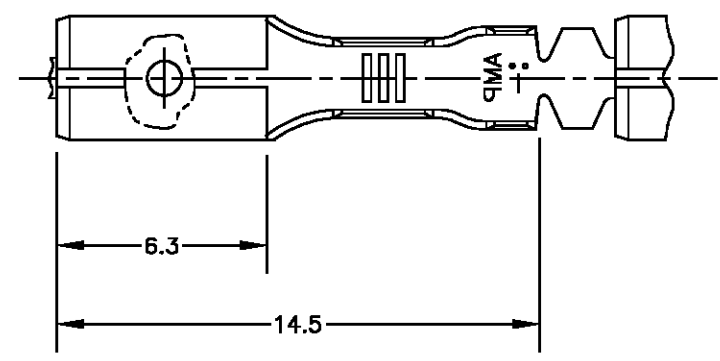
1

THIS DRAWING IS UNPUBLISHED. RELEASED FOR PUBLICATION
 © COPYRIGHT - By - ALL RIGHTS RESERVED.

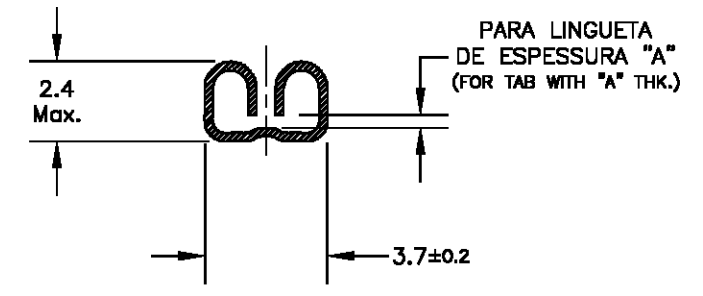
CAD
 AutoCAD
 DO NOT REVISE
 EXCEPT BY CAD

LOC AP
 DIST -

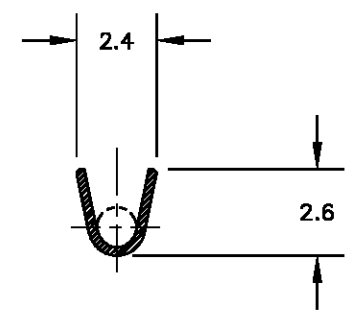
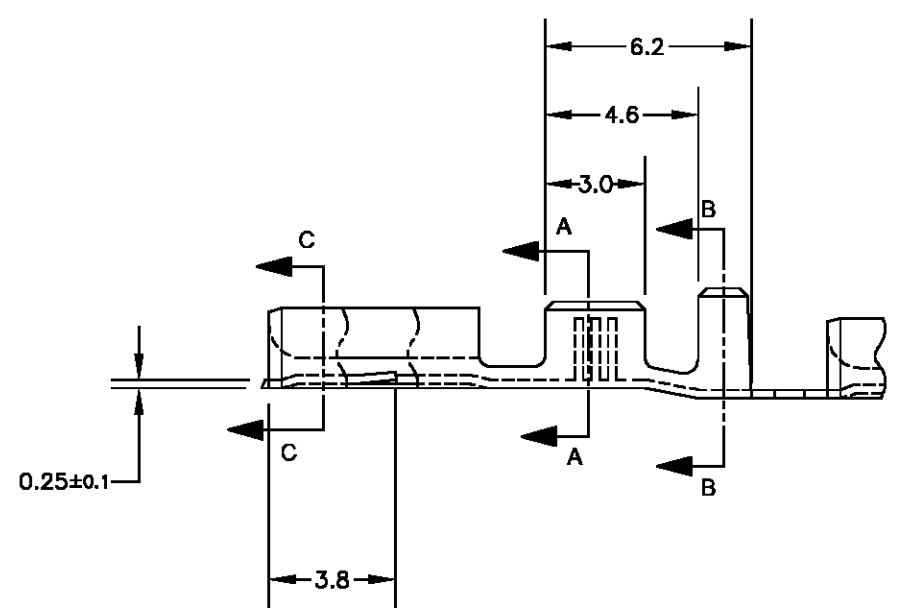
REVISIONS		DATE DATA	DWN DES	APVD APR
P	LTR LT	DESCRIPTION	DESRIÇÃO	
B1		REV ECO 18-003809	9MAR18	HC WLS



SECTION B-B



SECTION C-C



SECTION A-A

INS. RANGE 1,40 - 2,0 mm	WIRE RANGE 0,5 - 1,0 mm ²	0.50 0.50 "A"	ESTANHADO / TIN PLATED FINISH	LATÃO / BRASS LATÃO / BRASS MATERIAL	444149-2 OB SOLETE - 1 PART NUMBER
THIS DRAWING IS A CONTROLLED DOCUMENT.		DWN/DES A.PERUSSI 29APR2002	TE Connectivity .110 SERIES FASTON RECEPTACLE		
DIMENSIONS: DIMENSÕES mm		CHK/CH P.L.FARIA 29APR2011			
TOLERANCES UNLESS OTHERWISE SPECIFIED: TOLERÂNCIA NÃO ESPECIFICADAS		APVD/APR L.W.PRADO 29APR2002	NAME DESRIÇÃO		
0 PLC/DEC ± - 1 PLC/DEC ± 0,3 2 PLC/DEC ± 3 PLC/DEC ± 4 PLC/DEC ± - ANGLES/ANGULARES ± 1°		PRODUCT SPEC 108-37014	RESTRICTED TO -/-		
MATERIAL SEE TABLE		APPLICATION SPEC 114-2036	SIZE A3	CAGE CODE 00779	DRAWING NO DESENHO Nº 444149
FINISH ACABAMENTO SEE TABLE		WEIGHT -/-	CUSTOMER DRAWING/DESENHO DE CLIENTE		SCALE ESCALA 5:1
			SHEET FOLHA 1 DE 1	REV B1	