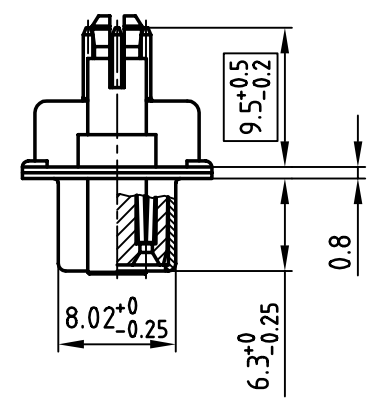
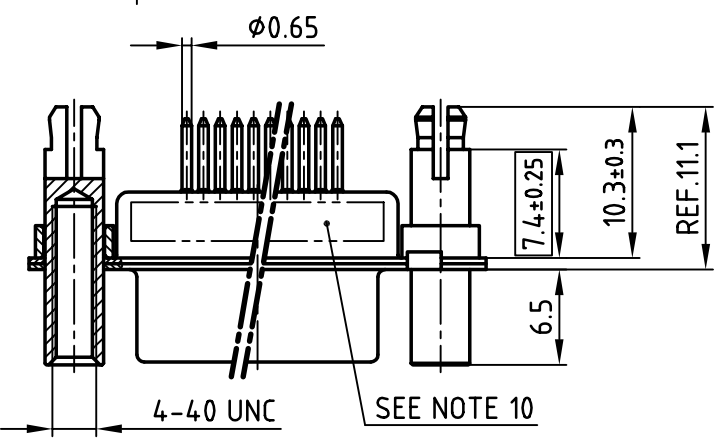
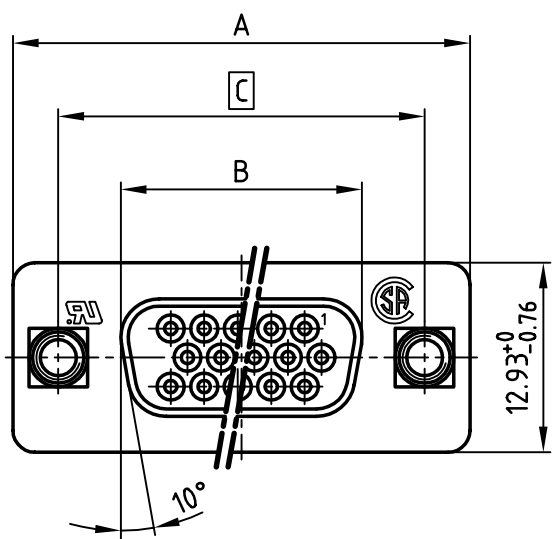


used for: D-SUB HD FILTER

POS.	A <sup>-0.76</sup>	B <sup>-0.25</sup>	C	Part NO.
15	31.19	16.46	25.00 <sup>+0.12</sup> <sub>-0.13</sub>	242A20770X
26	39.52	24.79	33.30 <sup>+0.15</sup> <sub>-0.1</sub>	242A20780X



**NOTES:**

- METALSHELLS: STEEL; min. 320 $\mu$ " TIN
- INSULATORS: PBT GF UL 94 V-0, BLACK
- CONTACTS: COPPER ALLOY  
PLATING: min. 8 $\mu$ " HARD GOLD OVER min. 50 $\mu$ " NICKEL
- THREADED LOCK: COPPER ALLOY; min. 200 $\mu$ " TIN over 80 $\mu$ " NICKEL  
PCB-HOLE:  $\phi 3.1 \pm 0.1$ ; PCB THICKNESS 1.6mm
- COLLAR: COPPER ALLOY; min. 200 $\mu$ " TIN over 80 $\mu$ " NICKEL
- CAPACITANCE: 370pF  $\pm 20\%$
- DIELECTRIC WITHSTANDING VOLTAGE: 300 VDC
- P.C.B. HOLE DRILLINGS SEE SHEET 2
- MAXIMUM TORQUE VALUE FOR THREAD: 6" LBS
- CONNECTOR IS PART MARKED: PART-NO. CONEC Y/WW
- = CRITICAL DIMENSION

APPROVAL # FREIGABE # DEBLOCAGE # AUTORIZACION # APPROVAL

CUSTOMER APPROVAL DATE:

NAME: TITLE:

COMPANY NAME:

APPROVAL # FREIGABE # DEBLOCAGE # AUTORIZACION # APPROVAL

THIS DRAWING MAY NOT BE COPIED OR REPRODUCED IN ANY WAY, AND MAY NOT BE PASSED ON TO A THIRD PARTY WITHOUT WRITTEN PERMISSION.  
OWNERSHIP AND COPYRIGHT OF CONEC GmbH  
DO NOT ALTER CAD DRAWING BY HAND

rev.	description	date	name

tolerance

2002 date name

drawn 06.09, Parei

appd. 06.09, Mickenbecker

norm DIN 41652

d-old

**CONEC**<sup>®</sup>

scale: 2:1

material: SEE NOTES

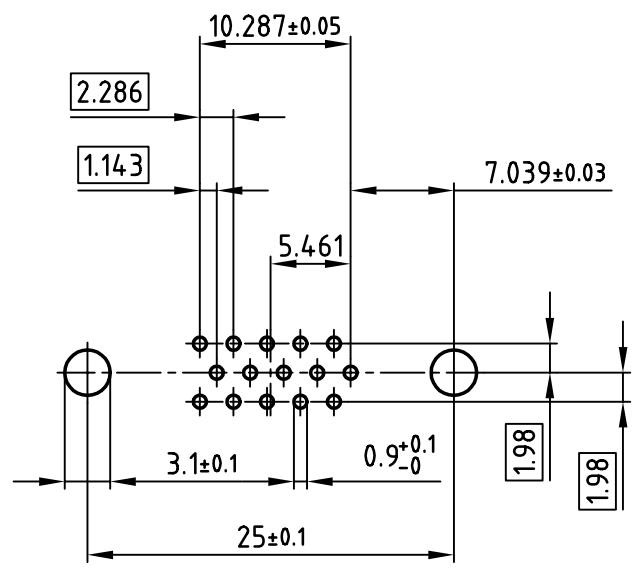
title: D-SUB HD FILTER FEMALE  
15+26pos. SOLDER PIN STRAIGHT  
with threaded lock and spacer clip

dwg no: AutoCAD 2000

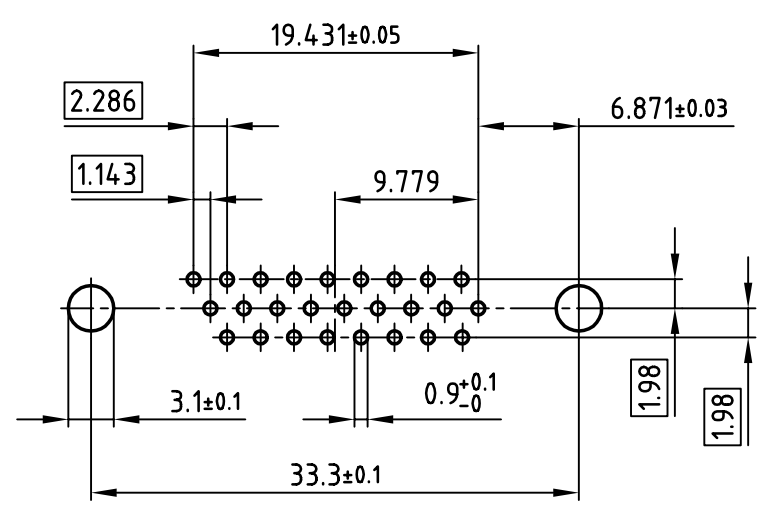
part no: SEE TABLE

DIN-A 4 sh:1/2

used for: D-SUB HD FILTER



15pos.



26pos.

APPROVAL # FREIGABE # DEBLOCAGE # AUTORIZACION # APPROVAL	
CUSTOMER APPROVAL DATE:	
NAME:	TITLE:
COMPANY NAME:	
APPROVAL # FREIGABE # DEBLOCAGE # AUTORIZACION # APPROVAL	

THIS DRAWING MAY NOT BE COPIED OR REPRODUCED IN ANY WAY, AND MAY NOT BE PASSED ON TO A THIRD PARTY WITHOUT WRITTEN PERMISSION.  
OWNERSHIP AND COPYRIGHT OF CONEC GmbH  
DO NOT ALTER CAD DRAWING BY HAND

tolerance				scale: 2:1
				material: SEE SHEET 1
2002	date	name		<b>P.C.B. HOLE DRILLINGS</b> D-SUB HD FILTER FEMALE 15+26pos. with threaded lock and spacer clip
drawn	06.09,	Parei		
appd.	06.09.	Mickenbecker		
norm	DIN 41652			
d-old				
rev.	description	date	name	dwg no: AutoCAD 2000 <b>24K1A315</b> part no: SEE SHEET 1



DIN-A  
4  
sh:2/2