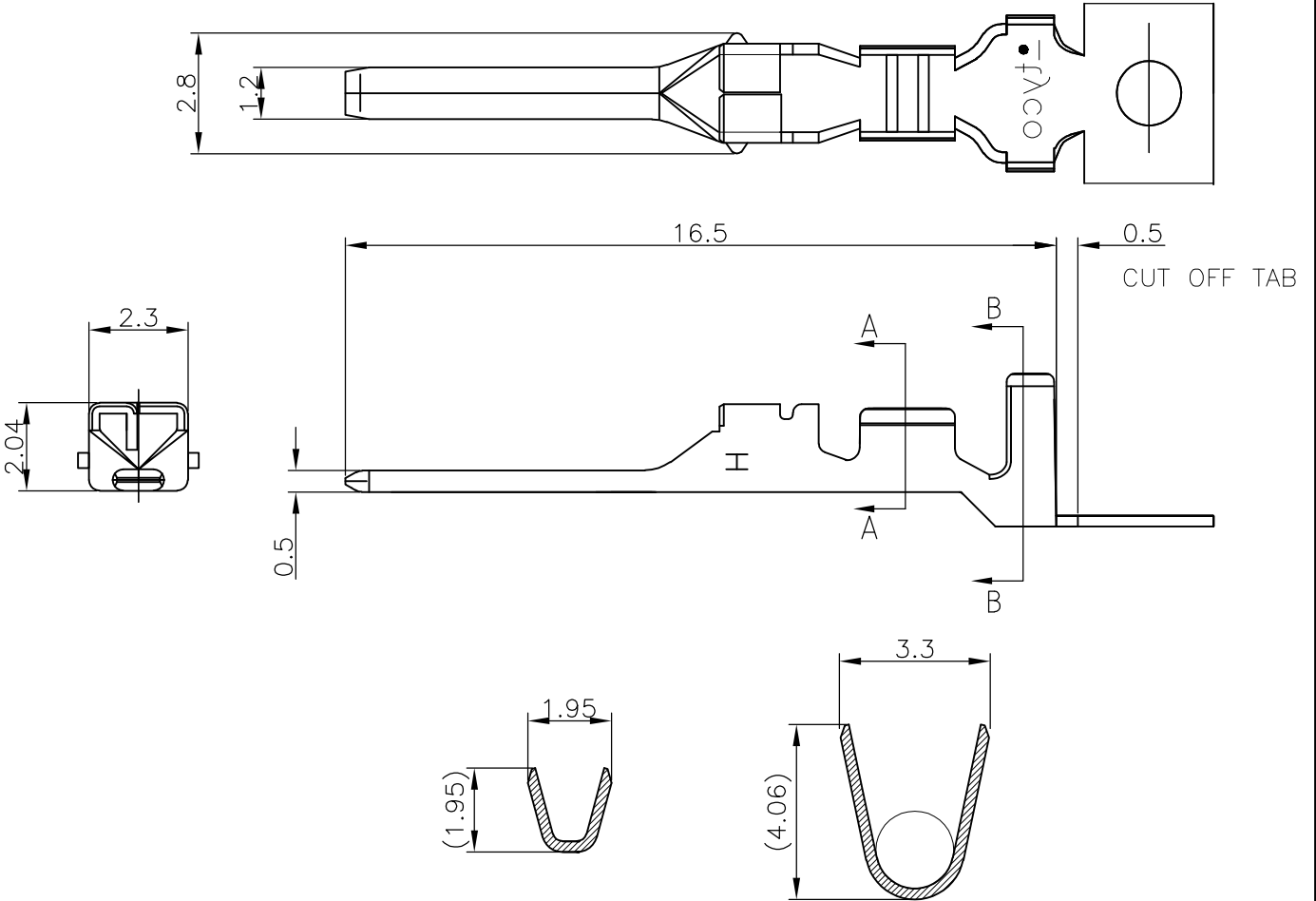


REVISIONS					
P	LTR	DESCRIPTION	DATE	DWN	APVD
	A	REVISED PER ECR-17-015715	26OCT'17	SC	BH



注)
 1.一般公差：±0.25
 2.材料：錫めっき済 銅合金

NOTES)
 1.GENERAL TOLERANCE: ±0.25
 2.MATERIAL:PRE-TIN COPPER ALLOY

1612335-1
PART NUMBER

WIRE RANGE ???????	0.13-0.34mm ² (AWG#22-26)	INSULATION DIA ????	ø1.3-2.0mm
-----------------------	--------------------------------------	------------------------	------------

DIMENSIONS: mm	
TOLERANCES UNLESS OTHERWISE SPECIFIED:	
0 PLC	± -
1 PLC	± -
2 PLC	± -
3 PLC	± -
4 PLC	± -
ANGLES	± -

DWN	A.OISHI	30 MAY'02
CHK	M.SHINDO	30 MAY'02
APVD	M.SHINDO	30 MAY'02
PRODUCT SPEC	108-5810	
APPLICATION SPEC	114-5306	
WEIGHT		

MATERIAL	SEE NOTE	FINISH	SEE NOTE
TE TE Connectivity			
NAME GRACE INERTIA CONNECTOR 3.5 TAB CONTACT(M)			
SIZE	A4	CAGE CODE	00779
DRAWING NO	C-1612335		RESTRICTED TO
CUSTOMER DRAWING			SCALE 6:1
SHEET		1 OF 1	REV A

THIS DRAWING IS UNPUBLISHED.
 ALL RIGHTS RESERVED.
 COPYRIGHT - TE Connectivity