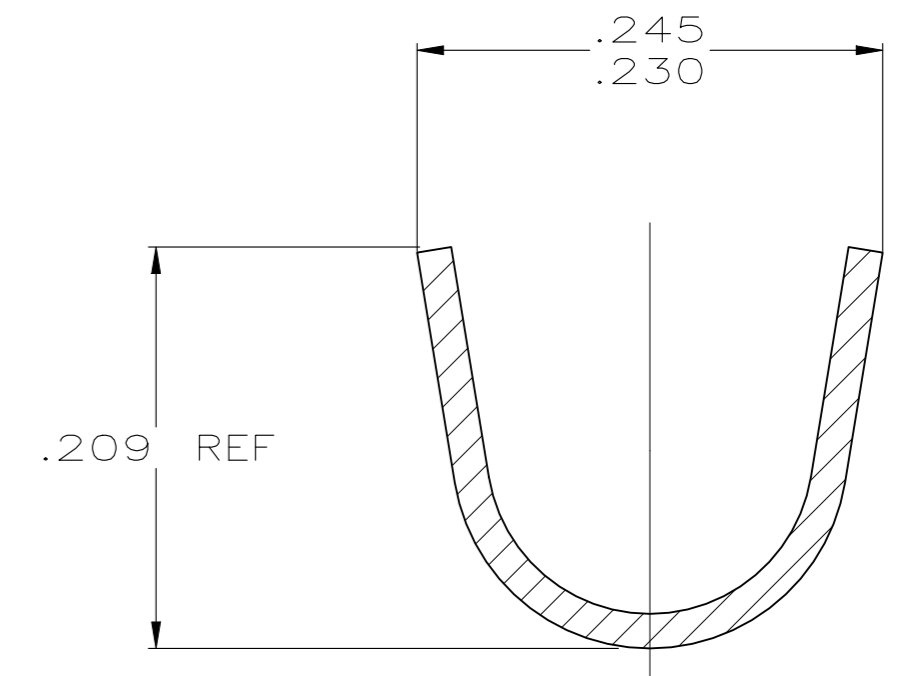
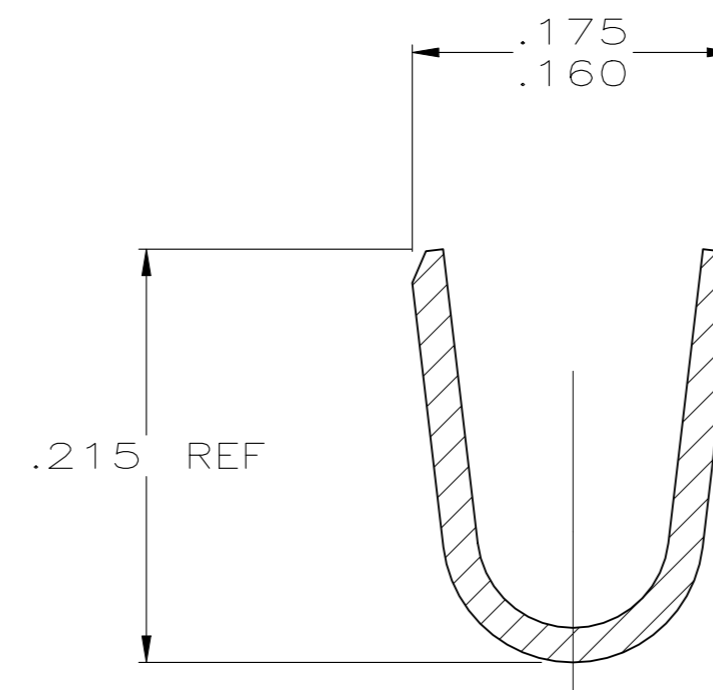
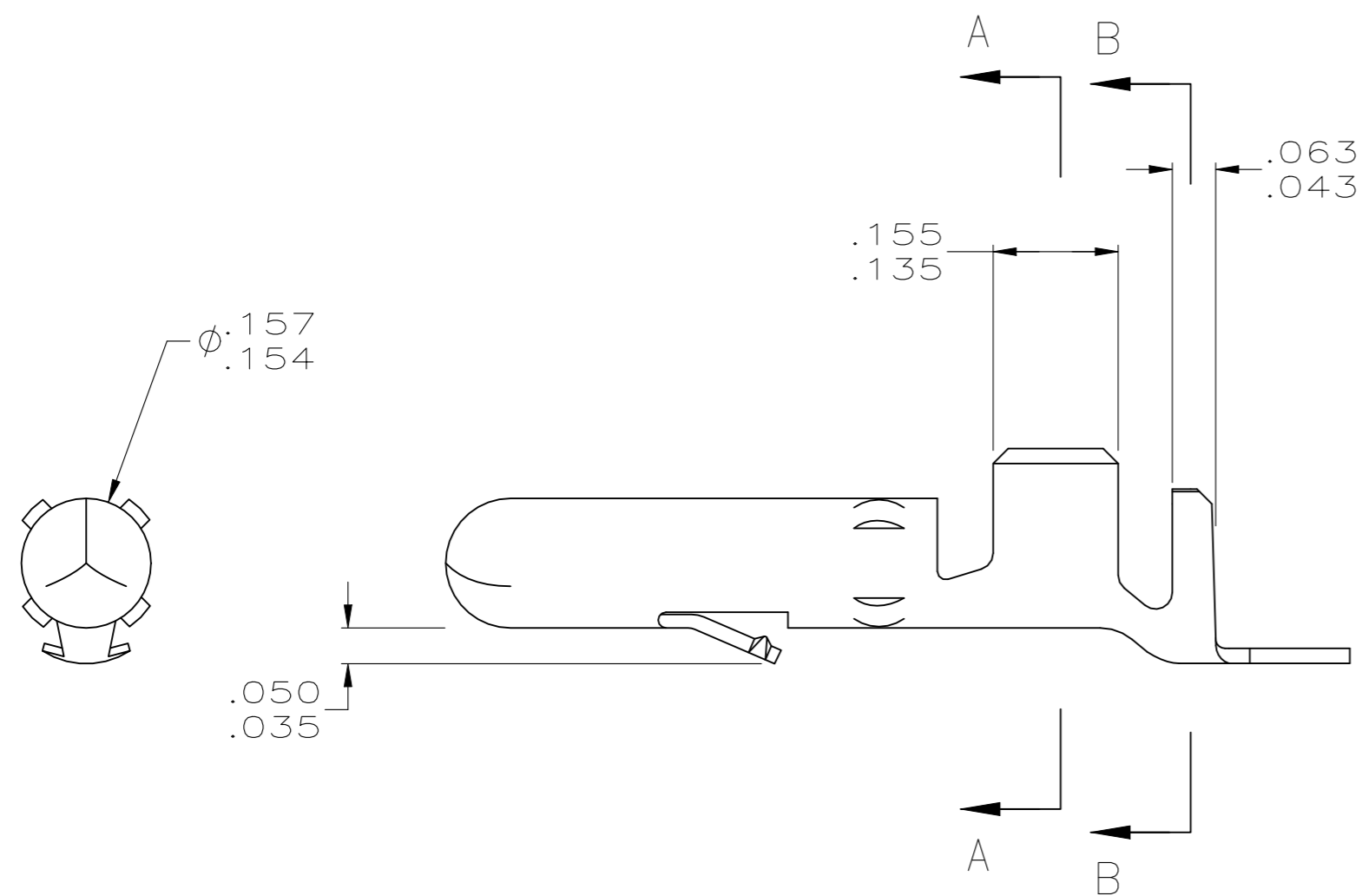
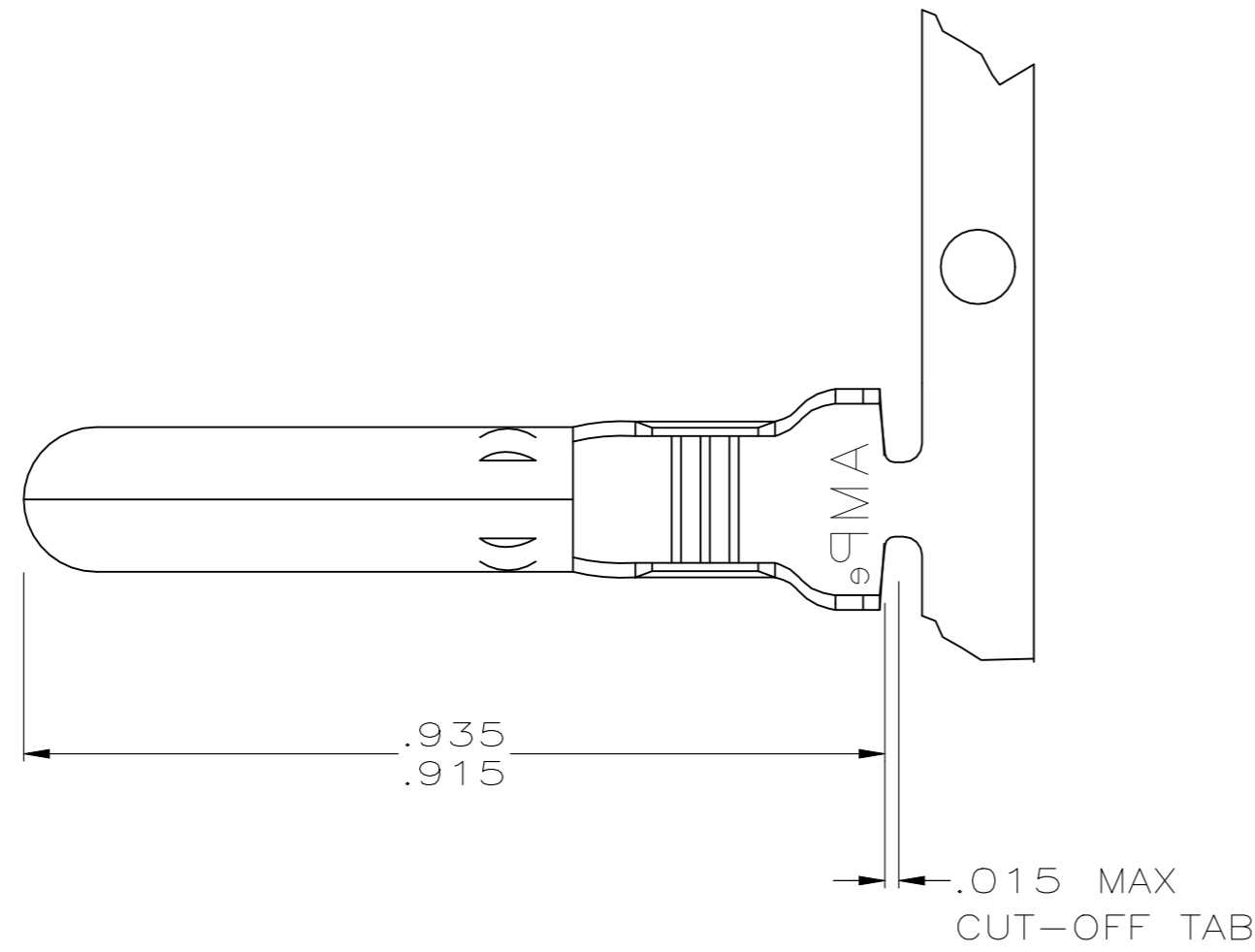


REVISIONS					
P	LTR	DESCRIPTION	DATE	DWN	APVD
A1		REVISED PER ECR-21-124036	10JAN2022	SS	VS

1. WIRE RANGE: 12-10 (3-6mm<sup>2</sup>) AWG  
INSULATION RANGE: .185 MAX.



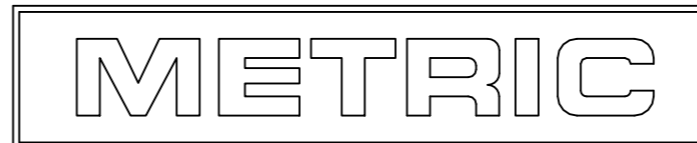
SECTION A-A  
SCALE 10:1

SECTION B-B  
SCALE 10:1

TIN	.018 COPPER ALLOY	1586487-1
FINISH	MATERIAL	PART NO

.050	1.27	.157	3.99	.230	5.84		
.043	1.09	.156	3.96	.215	5.46		
.035	0.89	.155	3.94	.209	5.31		
.018	0.46	.154	3.91	.185	4.70	.935	23.75
.015	0.38	.135	3.43	.175	4.45	.915	23.24
.005	0.13	.063	1.60	.160	4.06	.245	6.22
IN	MM	IN	MM	IN	MM	IN	MM

CONVERSION TABLE



THIS DRAWING IS A CONTROLLED DOCUMENT.		DWN K. WHITAKER 25OCT2005				
		CHK D. COLEY 25OCT2005				
		APVD D. COLEY 25OCT2005	NAME			
		PRODUCT SPEC	PIN, ENHANCED CURRENT, .156 MATE-N-LOK(TM)			
		APPLICATION SPEC				
		FINISH	SIZE	CAGE CODE	DRAWING NO	RESTRICTED TO
MATERIAL		WEIGHT	A2	00779	C=1586487	-
SEE TABLE		CUSTOMER DRAWING	SCALE	5:1	SHEET	1 of 1
					REV	A1