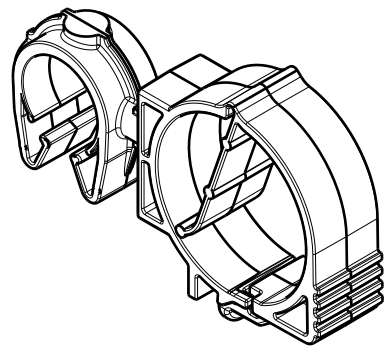
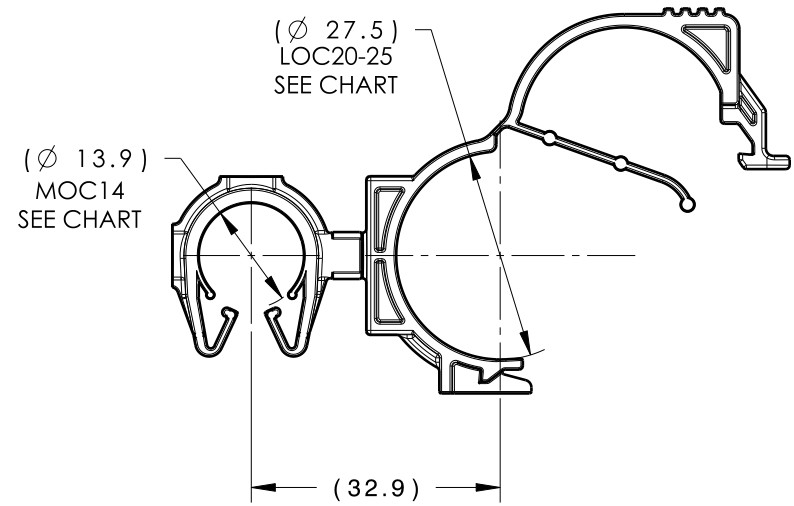
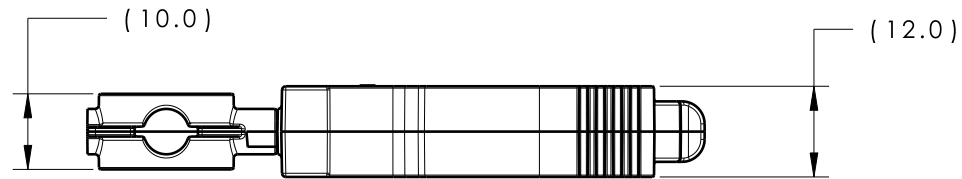
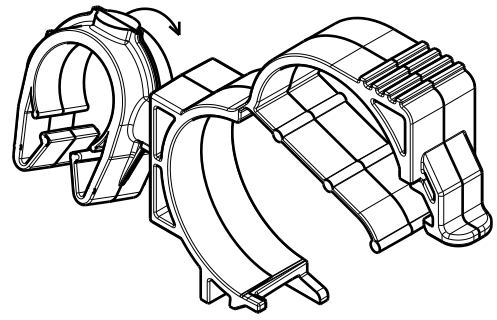


| Revision Level |                |      | Revision Record | Changed | Date     | Approved | Date     |
|----------------|----------------|------|-----------------|---------|----------|----------|----------|
| Drawing        | State          | Part |                 |         |          |          |          |
| 03.1           | Design Release | -    | SEE ECN# 015045 | TAT     | 4/3/2019 | EJH      | 4/3/2019 |



ISOMETRIC VIEW  
CLOSED

CLIPS ROTATE  
360 DEGREES



ISOMETRIC VIEW  
OPEN

|                |               |
|----------------|---------------|
| TYPE           | MOC14F        |
| HARNESS        | 13.0MM-15.0MM |
| HOSE           | 13.0MM-15.0MM |
| HARD PIPE/TUBE | 14.0MM-15.8MM |

\*RECOMMENDED SIZES MAY DIFFER DEPENDING ON THE APPLICATION , PRODUCT REQUIREMENTS AND MATERIALS USED

\*\*PATENT PENDING 29/582,271



| GLOBAL PART DESCRIPTION       | MOC14**         |             |       | LOC20-25        |             |       |
|-------------------------------|-----------------|-------------|-------|-----------------|-------------|-------|
|                               | DRAWING         | MATERIAL    | COLOR | DRAWING         | MATERIAL    | COLOR |
| MOC14FLOC20-25-PA66HIRHSUV-BK | 16-0320-000-CSU | PA66HIRHSUV | BLACK | 12-0631-051-CSU | PA66HIRHSUV | BLACK |

Material  
SEE CHART  
COLOR: SEE CHART

Units **millimeters**  
  
Tolerance defined on each dimension

The copyright of this drawing is reserved by HellermannTyton. It is issued on condition that it is not reproduced, copied or disclosed to a third party, either wholly or in part, without the consent of HellermannTyton.

Drawn TAT 3/7/17  
Approved EJH 3/8/17  
**HellermannTyton**  
North America  
Email: corp@htamericas.com  
Web: www.hellermann.tyton.com

Article/Type-No MOC14FLOC20-25<sup>03.1</sup>  
Title 14MM MOC COUPLED TO 20-25MM LOC  
Drawing-No PRODUCTION : Phase  
**16-0327-144-CSU**

Scale 1:1  
Project Number 16-0327  
Format AH  
Sheet 1/1