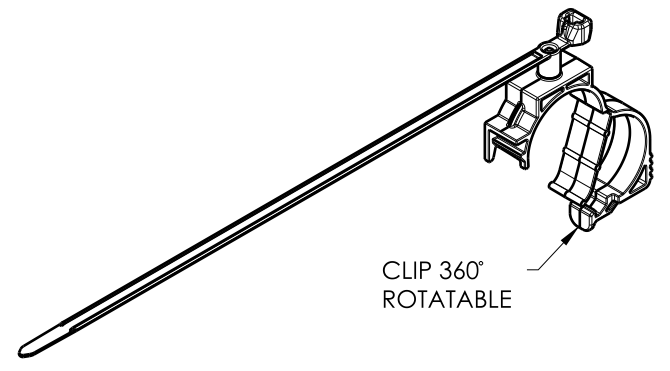
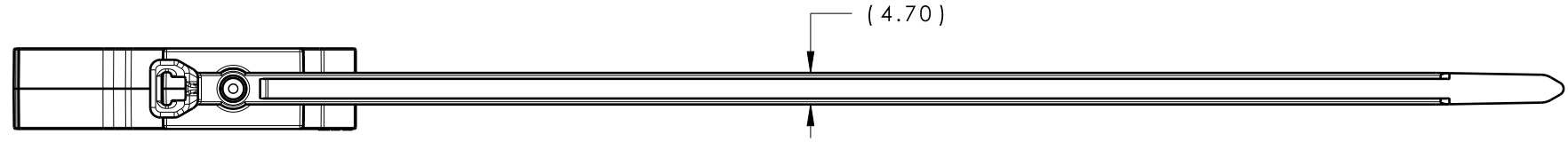
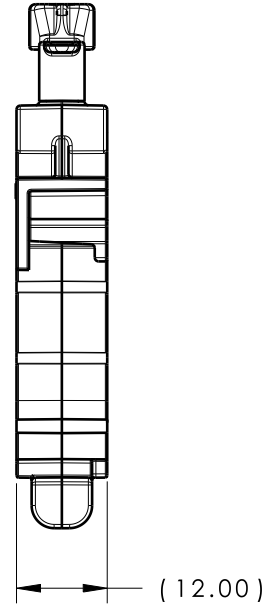
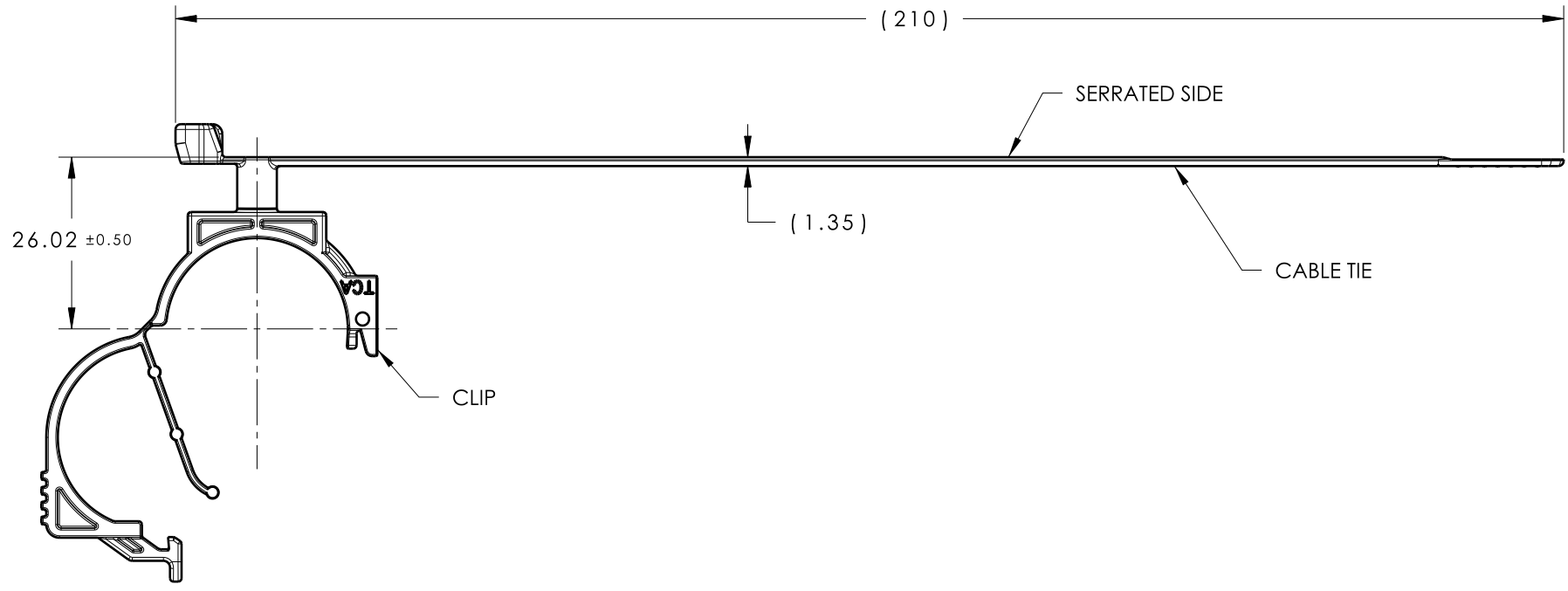


Revision Level			Revision Record	Changed	Date	Approved	Date
Drawing	State	Part					
02.2	Design Release	-	SEE ECN# 014328	KVH	06/08/18	EJF	06/08/18



ISOMETRIC VIEW
SCALE 1:2



02.1

02.1

GLOBAL PART DESCRIPTION	BUNDLE RANGE	CABLE TIES			CLIP		
		DRAWING	MATERIAL	COLOR	DRAWING	MATERIAL	COLOR
T50SMVCLOC20-25-PA66HIRHS-BK	2 TO 50	14-0606-012-CSU	PA66HIRHS	BLACK	12-0631-051-CSU	PA66HIRHS	BLACK

Material SEE CHART COLOR: SEE CHART	Units	millimeters	The copyright of this drawing is reserved by HellermannTyton. It is issued on condition that it is not reproduced, copied or disclosed to a third party, either wholly or in part, without the consent of HellermannTyton.	Drawn	KVH	9/13/16	Article/Type-No	T50SMVCLOC20-25	Scale	1:1	
	Tolerance defined on each dimension	Approved		EJH	10/7/16	Title	T50 TIE STRAP WITH 20-25mm LOCKING OMEGA CLIP		Project Number	12-0631	
		HellermannTyton North America Email: corp@htamericas.com Web: www.hellermann.tyton.com					Drawing-No	PRODUCTION : Phase	Format	B	
							12-0631-121-CSU		Sheet	1/1	