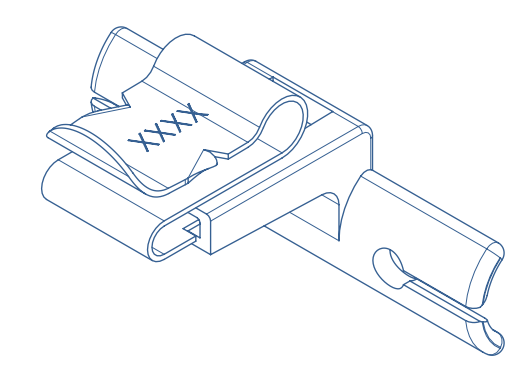
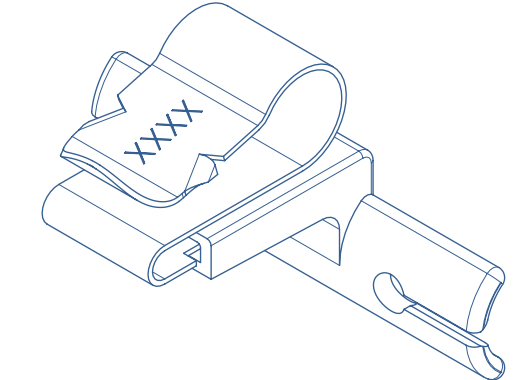


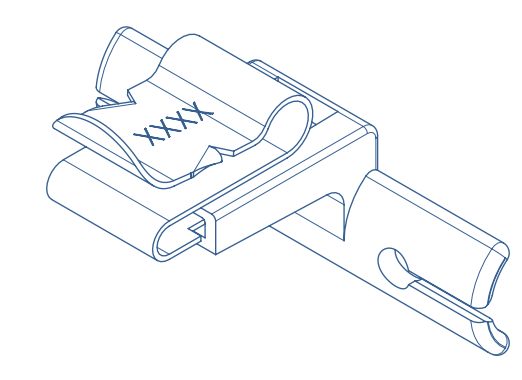
ISOMETRIC VIEW



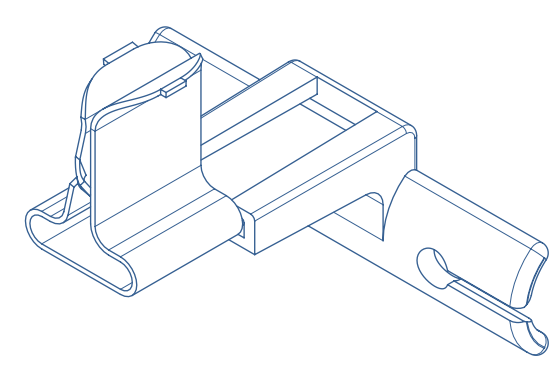
ISOMETRIC VIEW



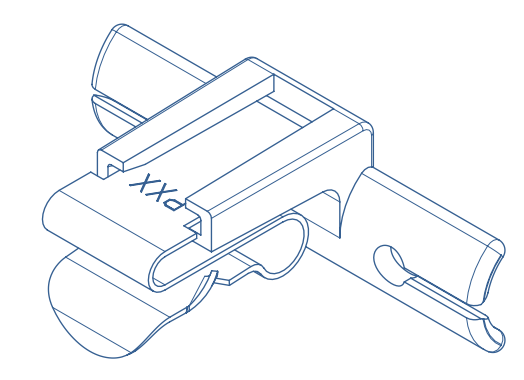
ISOMETRIC VIEW



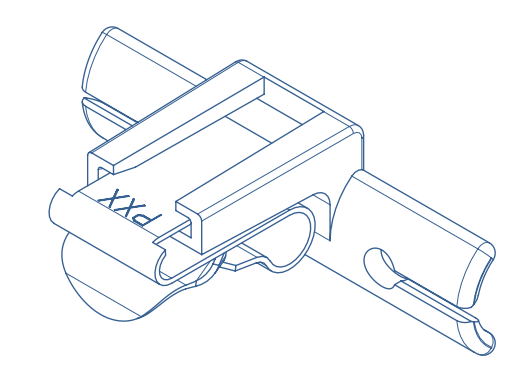
ISOMETRIC VIEW



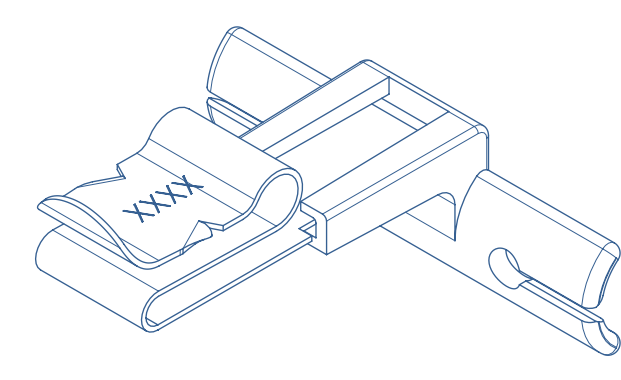
ISOMETRIC VIEW



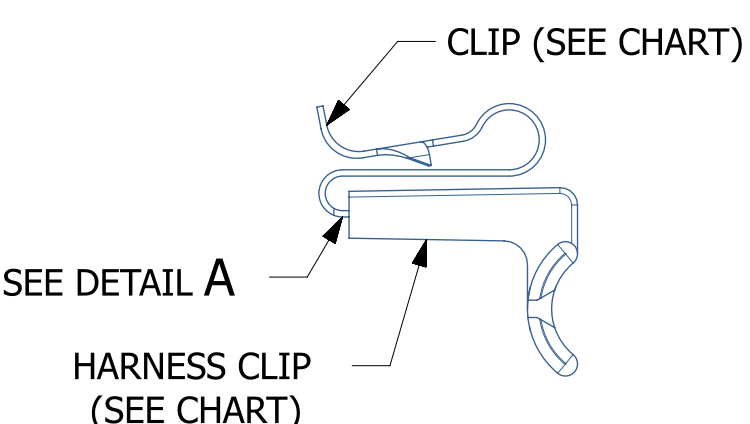
ISOMETRIC VIEW



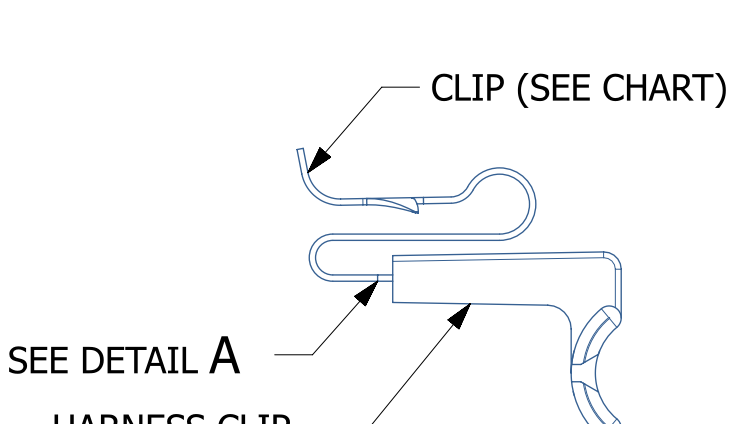
ISOMETRIC VIEW



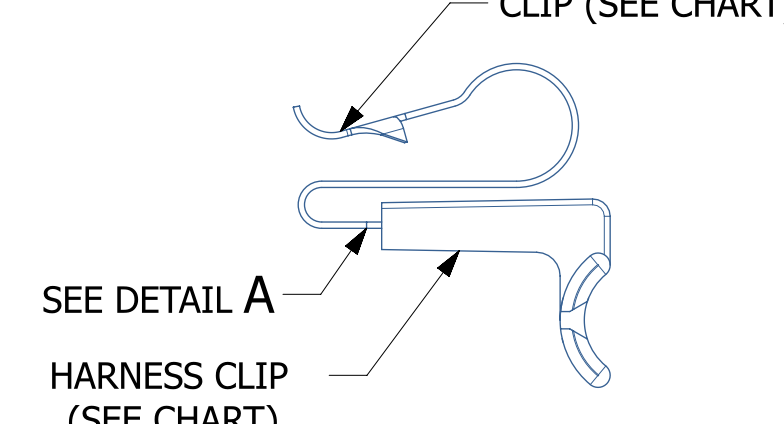
ISOMETRIC VIEW



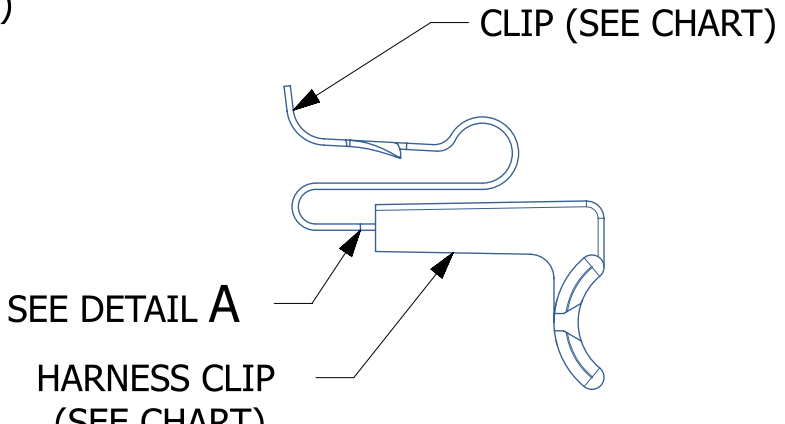
TYPE 101



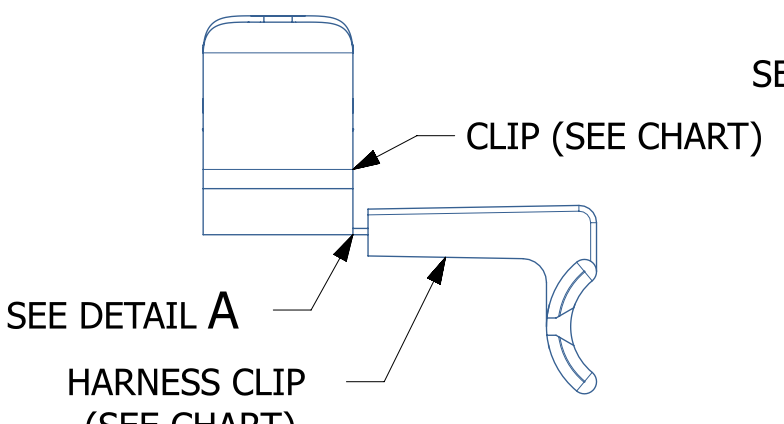
TYPE 102



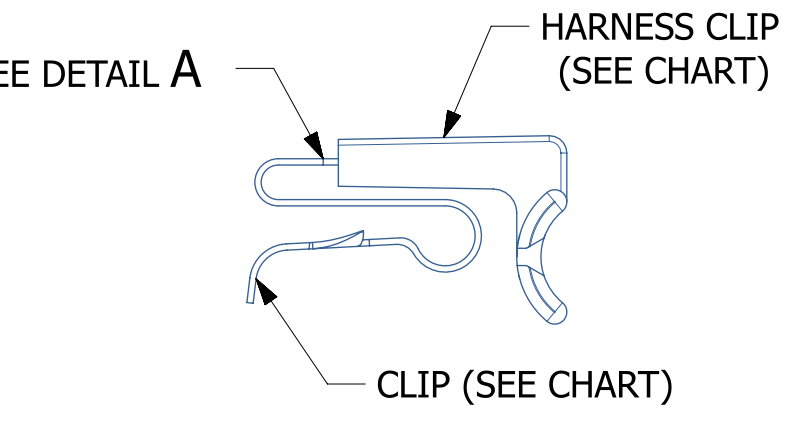
TYPE 103



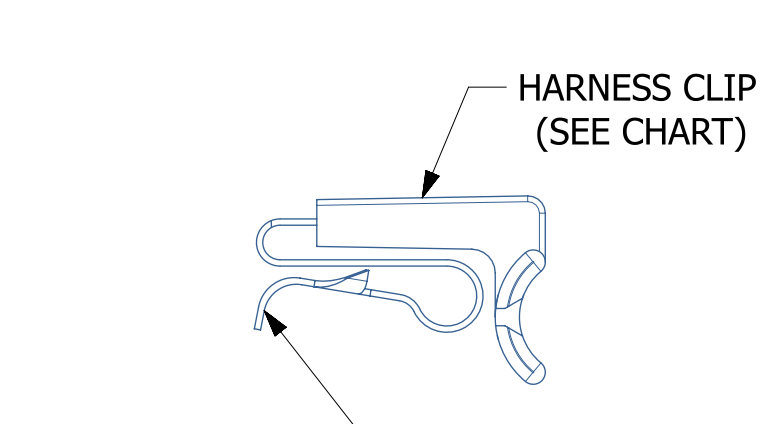
TYPE 104



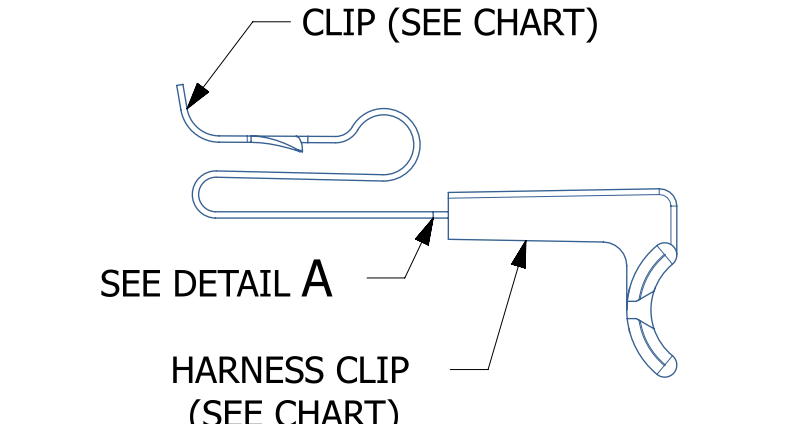
TYPE 105



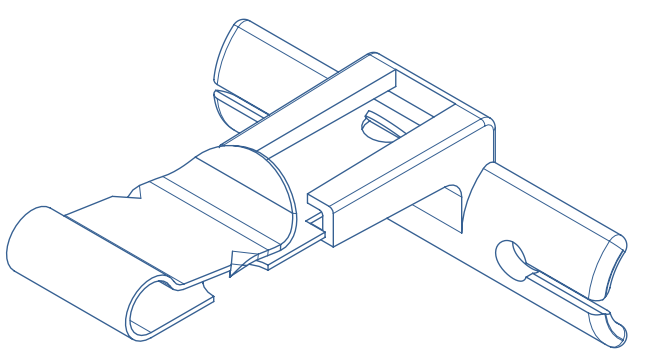
TYPE 106



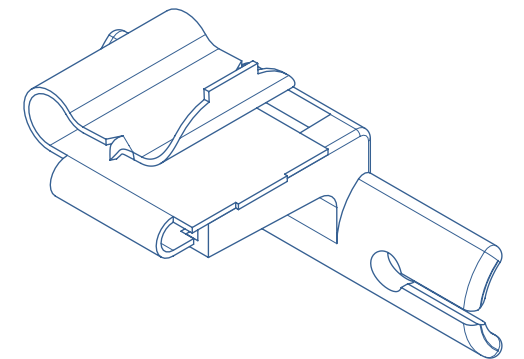
TYPE 107



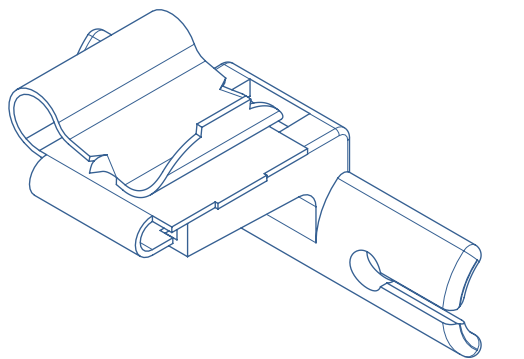
TYPE 108



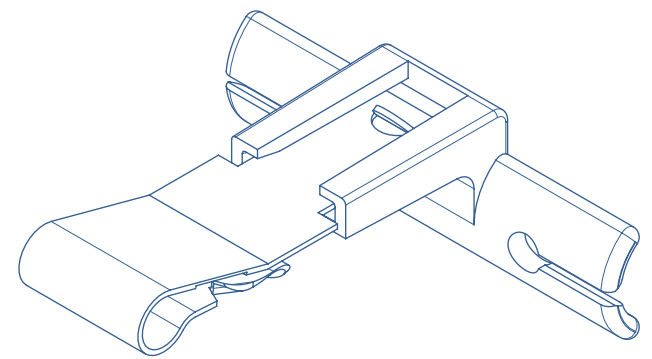
ISOMETRIC VIEW



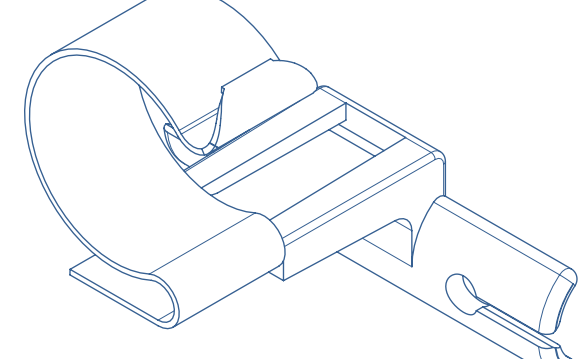
ISOMETRIC VIEW



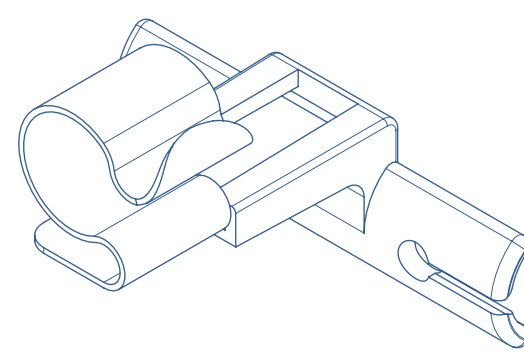
ISOMETRIC VIEW



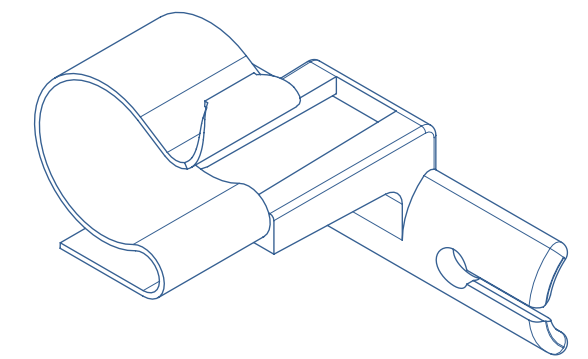
ISOMETRIC VIEW



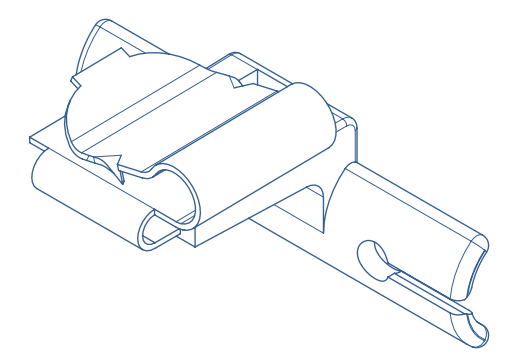
ISOMETRIC VIEW



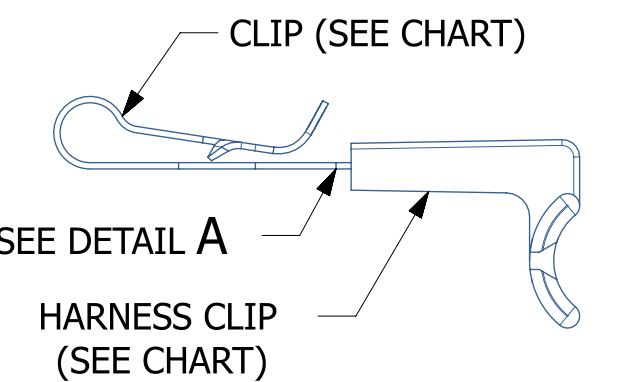
ISOMETRIC VIEW



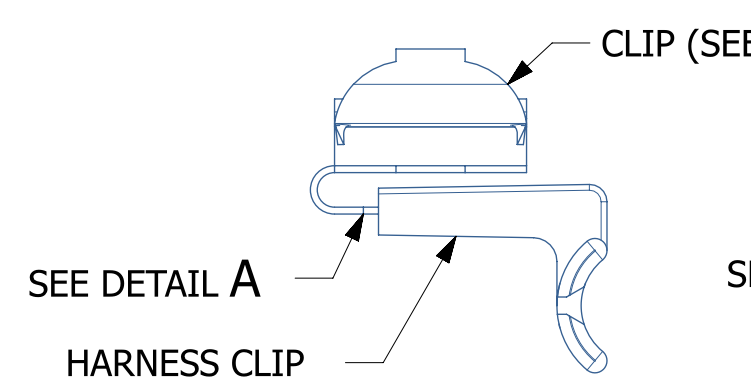
ISOMETRIC VIEW



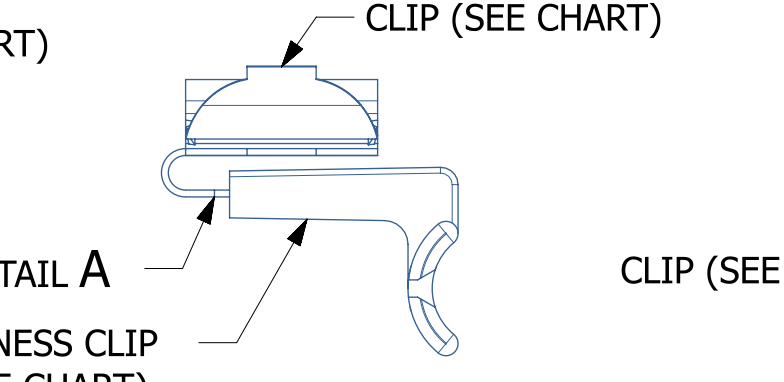
ISOMETRIC VIEW



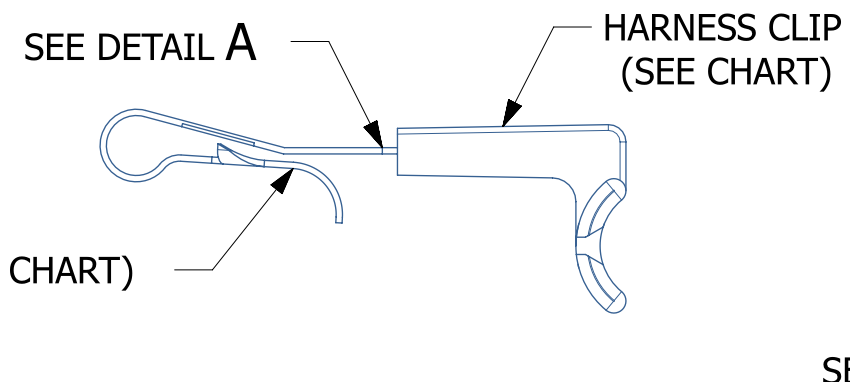
TYPE 109



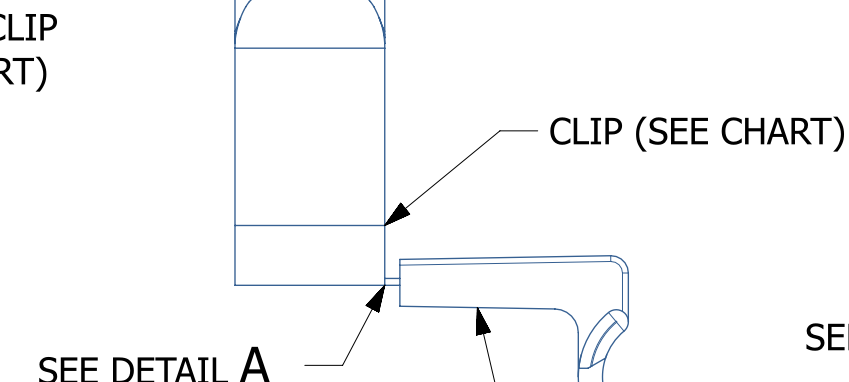
TYPE 110



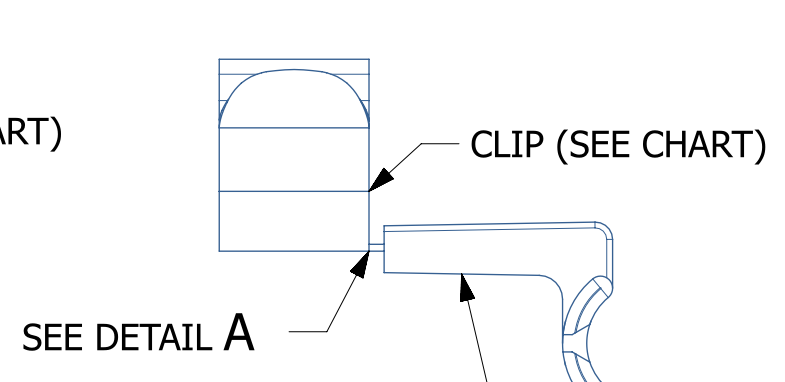
TYPE 111



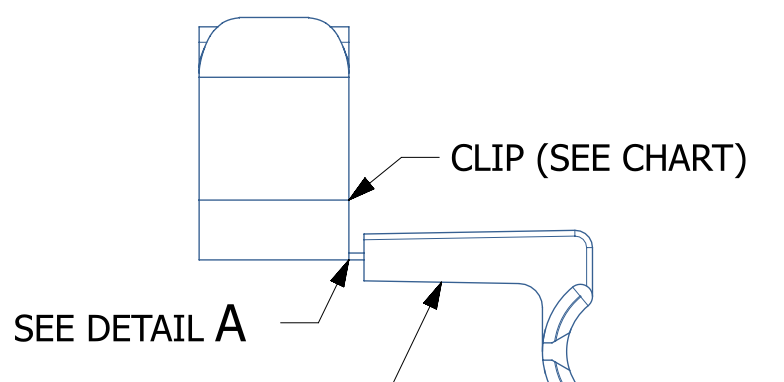
TYPE 112



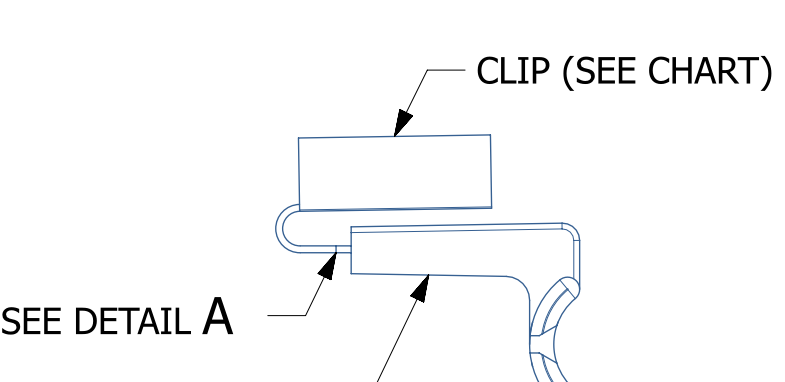
TYPE 113



TYPE 114



TYPE 115

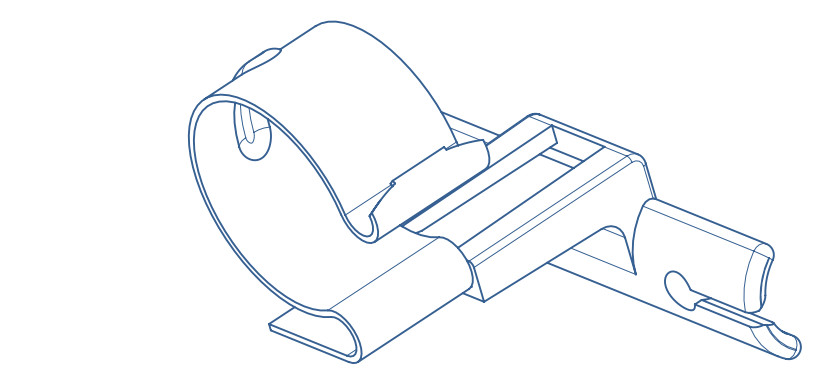


TYPE 116

NOTES:

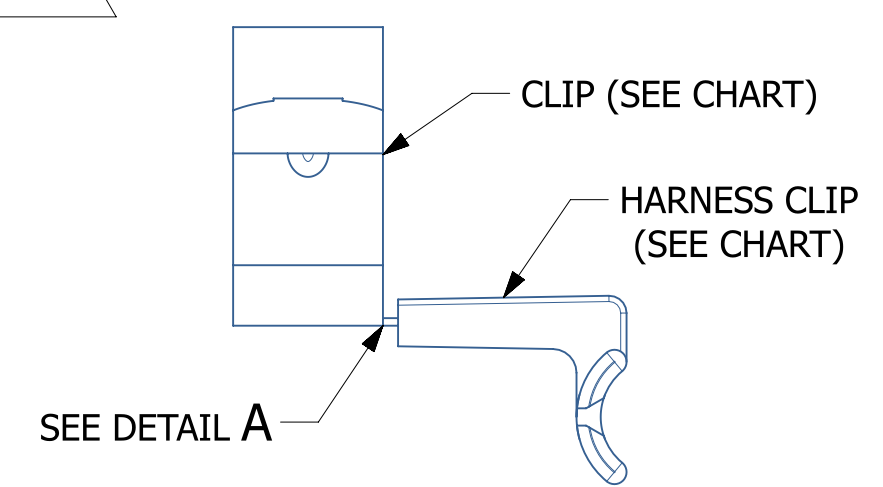
- UNLESS OTHERWISE SPECIFIED AND/OR INDICATED:
DIMENSIONS ARE TO FACE OF VIEW SHOWN AND AUTOMATICALLY ROUNDED BY COMPUTER FOR INSPECTION (SEE MATH MODEL FOR PRECISE DIMENSIONS). FOR ALL OTHER DIMENSIONS NOT SHOWN, BUT REQUIRED FOR TOOL BUILD, SEE MATH MODEL FOR PRECISE TOOL PATH DATA.
- OBsolete PART(S) CONTAIN A HEXAVALENT CHROME COATING, DO NOT USE THIS PART ON NEW APPLICATIONS, HEXAVALENT CHROME IS A BAND SUBSTANCE. IF THIS PART IS REQUIRED FOR CURRENT OR FUTURE BUSINESS OR FOR SERVICE REQUIREMENTS, CONTACT THE PRODUCT LINE ENGINEER OF MATERIALS ENGINEERING TO GET A NEW PART THAT IS FREE FROM HEXAVALENT CHROME. JULY 1, 2007 FOR SERVICE REQUIREMENTS.
- THIS PRODUCT IS NOT CATEGORIZED AS AN APPEARANCE ITEM. MINOR IMPERFECTIONS INCLUDING, BUT NOT LIMITED TO, FLOW MARKS, COLOR BLEMISHES, GATE VESTIGES, AND SOFT FLASH THAT DO NOT AFFECT THE FIT, FORM, OR FUNCTION OF THE PART ARE PERMISSIBLE PER SPEC: S-QA-10.3-9
- CLIP SHALL WITHSTAND 6.7 LBS (30N) MINIMUM DISENGAGE FORCE FROM CLIP SLOT OF HARNESS CLIP.

- ASSEMBLY PROCESS NOTES:
- ASSEMBLE SPRING CLIP SECURELY IN HARNESS CLIP. SEE APPLICABLE DETAIL A



ISOMETRIC VIEW

56.0



TYPE 117

56.0

TYPE	ASSY	PART NUMBER	HARNESS CLIP	CLIP	COLOR
101	17-1049	15497252	08905028	15495805	BLACK
101	17-1050	15497215	08905028	15495795	BLACK
102	17-1061	15497238	08905028	15495797	BLACK
103	17-1065	15497228	08905028	15495960	BLACK
103	17-1072	15497219	08905028	15495957	BLACK
104	17-1070	15497221	08905028	15495798	BLACK
105	17-1071	15497220	08905028	15495827	BLACK
106	17-1068	15497224	08905028	15495798	BLACK
107	17-1077	15497209	08905028	15495795	BLACK
107	17-1078	15441299	08905028	15495805	BLACK
108	17-1073	15497218	08905028	15495797	BLACK
109	17-1066	15497227	08905028	15495832	BLACK
109	17-1076	15497211	08905028	15495831	BLACK
110	17-1074	15497217	08905028	15495810	BLACK
111	17-1075	15497212	08905028	15495808	BLACK
112	17-1069	15497223	08905028	15495958	BLACK
113	17-1060	15497253	08905028	15499841	BLACK
114	17-1062	15497236	08905028	15495816	BLACK
115	17-1064	15497229	08905028	15495961	BLACK
115	17-1067	15497226	08905028	15495812	BLACK
116	17-1063	15497231	08905028	15495811	BLACK
117	18-0406	15491054	08905028	15491104	BLACK

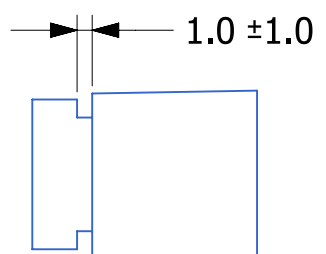
DIMENSIONS ENCLOSED IN () INDICATE REFERENCE DIMENSIONS AND NO TOLERANCE LIMITS ARE ESTABLISHED.

Material SEE CHART
Units millimeters
Tolerance defined on each dimension

The copyright of this drawing is reserved by HellaermannTyton. It is issued on condition that it is not reproduced, copied or disclosed to a third party, either wholly or in part, without the consent of HellaermannTyton.

Drawn RJE 07/17/17
Approved EJH 07/17/17
HellaermannTyton
North America
Email: corp@hamericas.com
Web: www.hellaermanntyton.com

THIS DRAWING SUPERCEDES DELPHI DWG: 08905026 REV 54
Article/Type-No SEE CHART
Title TAXI ASM MOUN CLIP TAPE ON
Project Number 17-1049
Drawing-No 17-1049-001-CSU
PRODUCTION : Phase
Format D
Sheet 1 / 1



DETAIL A
FOR APPLICABLE METAL CLIP TYPES