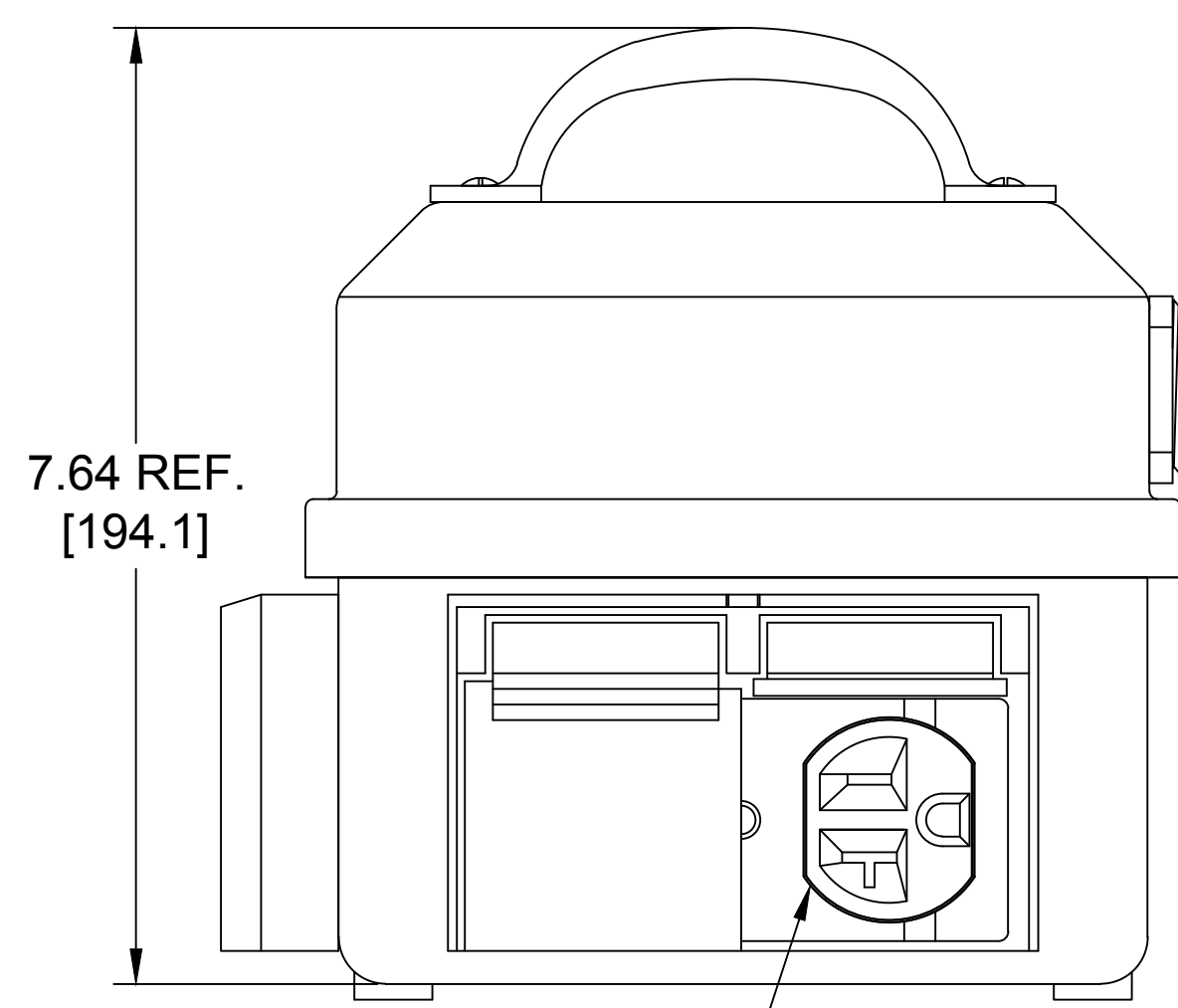


NEMA 5-20 DUPLEX RECEPTACLE

NEMA 5-20 DUPLEX RECEPTACLE

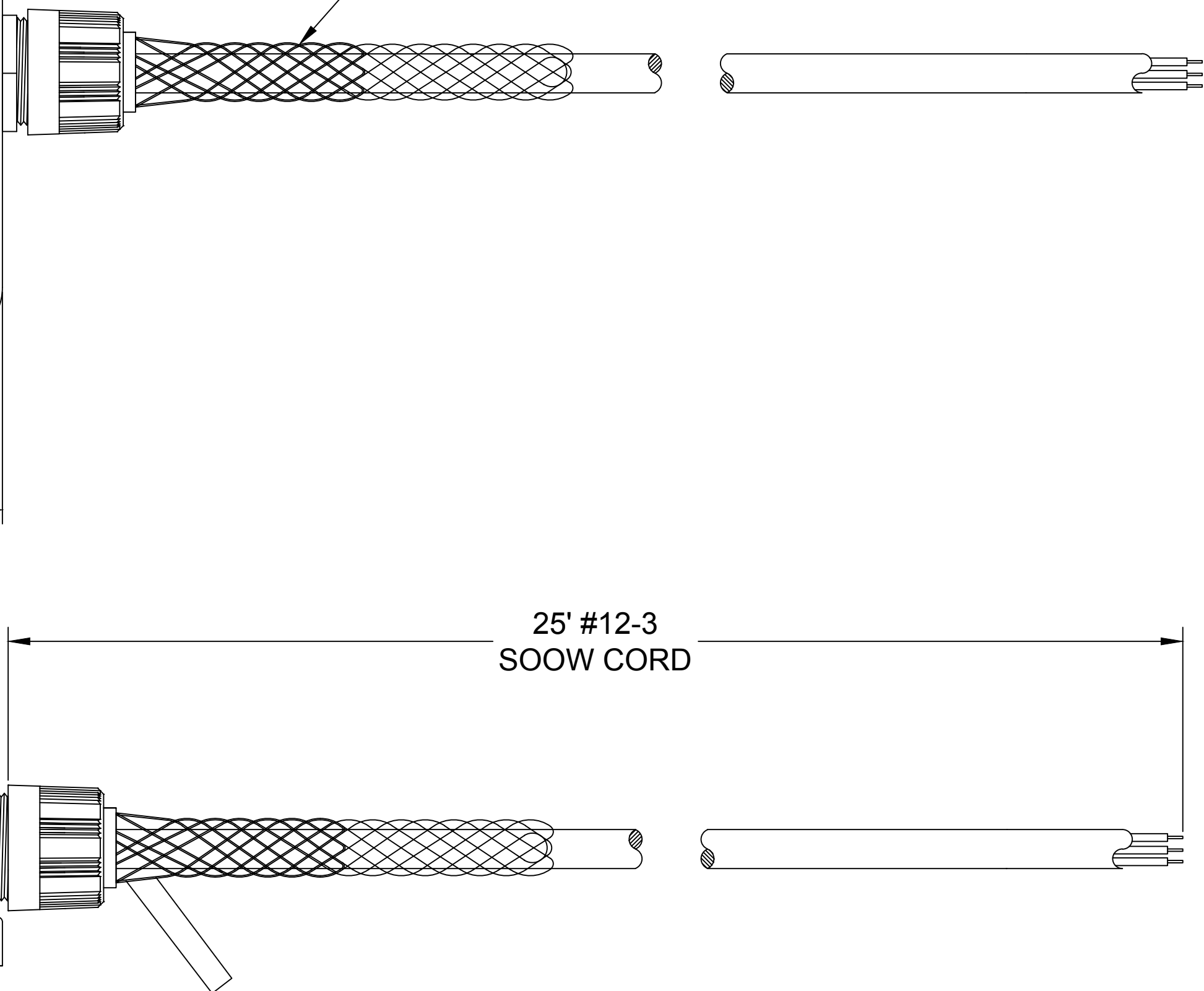
7.00 REF. [177.8]

5635NM NON-METALLIC MESH GRIP



7.64 REF. [194.1]

NEMA 5-20 DUPLEX RECEPTACLE



25' #12-3 SOOW CORD

NON-RETURNABLE  
NON-CANCELABLE  
NO UL, CSA, OR ANY OTHER AGENCY APPROVALS.  
ELECTRICAL RATING: 20A/125V  
MEETS NEMA 4X WITH FLIP-LIDS CLOSED

RELEASE EC NO.: ICG2016-1375 DRWN: KCOX01 2016/04/11 CHKD: HKNEELAN 2016/04/11 APPR: JFMURPHY 2016/05/13	QUALITY SYMBOL	GENERAL TOLERANCES (UNLESS SPECIFIED)		DIMENSION STYLE IN/MM		SCALE NTS	DESIGN UNITS INCH	THIRD ANGLE PROJECTION	
	▼=0		mm	INCH	DRAWN BY	DATE	TITLE		
	▽=0	4 PLACES	±---	±---	KCOX01	2016/04/11	WIRING-GFCI BOX		
		3 PLACES	±---	±.005	CHECKED BY	DATE	2 5-20 DPLX, 1 5-20 GFCI		
		2 PLACES	±.13	±.010	HKNEELAN	2016/04/11	25' 12-3 CORD NO PLUG		
	1 PLACE	±.25	±.020	APPROVED BY	DATE	MOLEX INCORPORATED			
		ANGULAR ±.5°		JFMURPHY	2016/05/13	MATERIAL NO. 1301350403			
		DRAFT WHERE APPLICABLE MUST REMAIN WITHIN DIMENSIONS		DOCUMENT NO. SD-130135-056		SHEET NO. 1 OF 1			
A	REV	THIS DRAWING CONTAINS INFORMATION THAT IS PROPRIETARY TO MOLEX INCORPORATED AND SHOULD NOT BE USED WITHOUT WRITTEN PERMISSION							