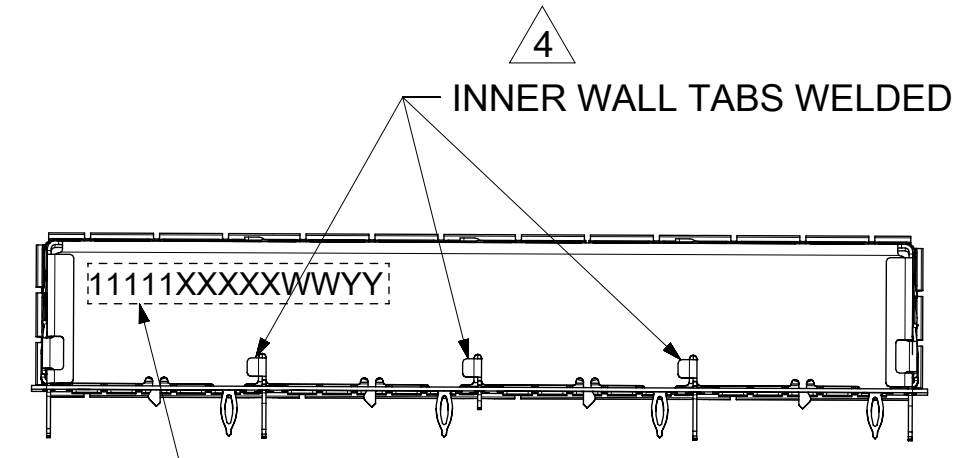
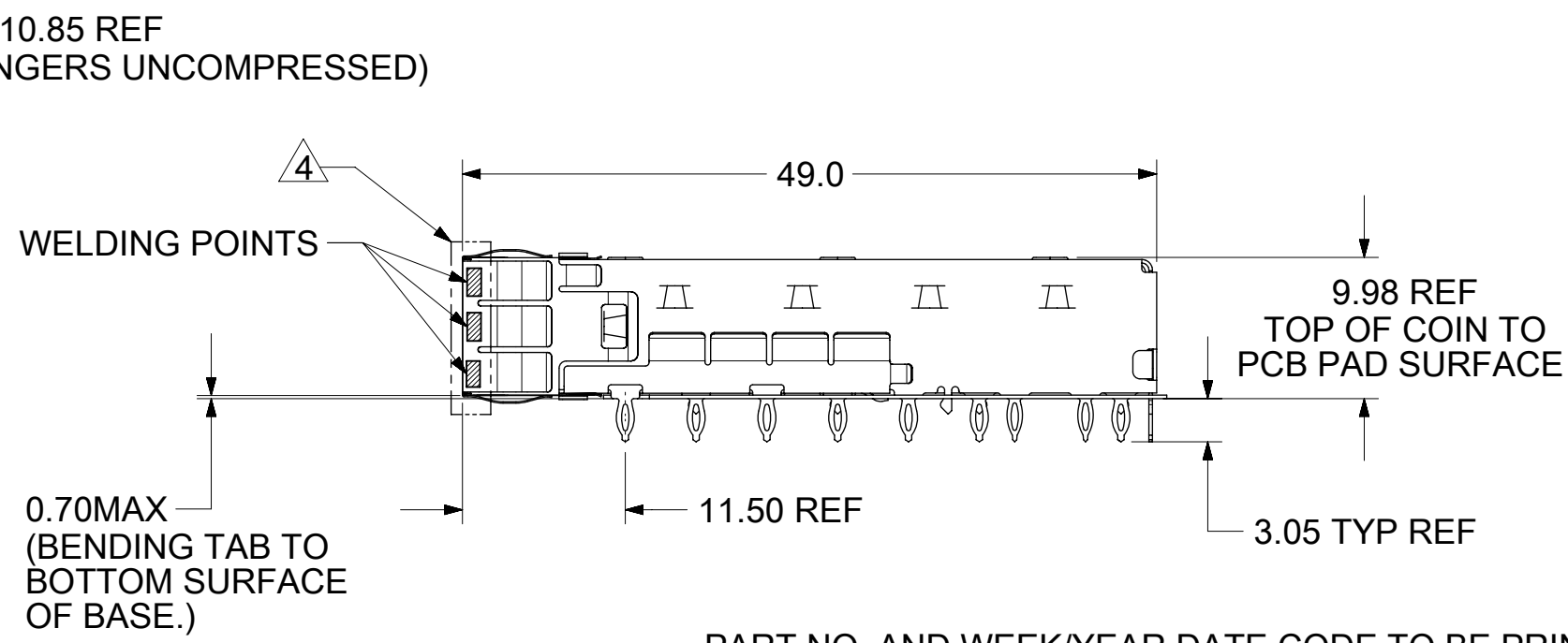
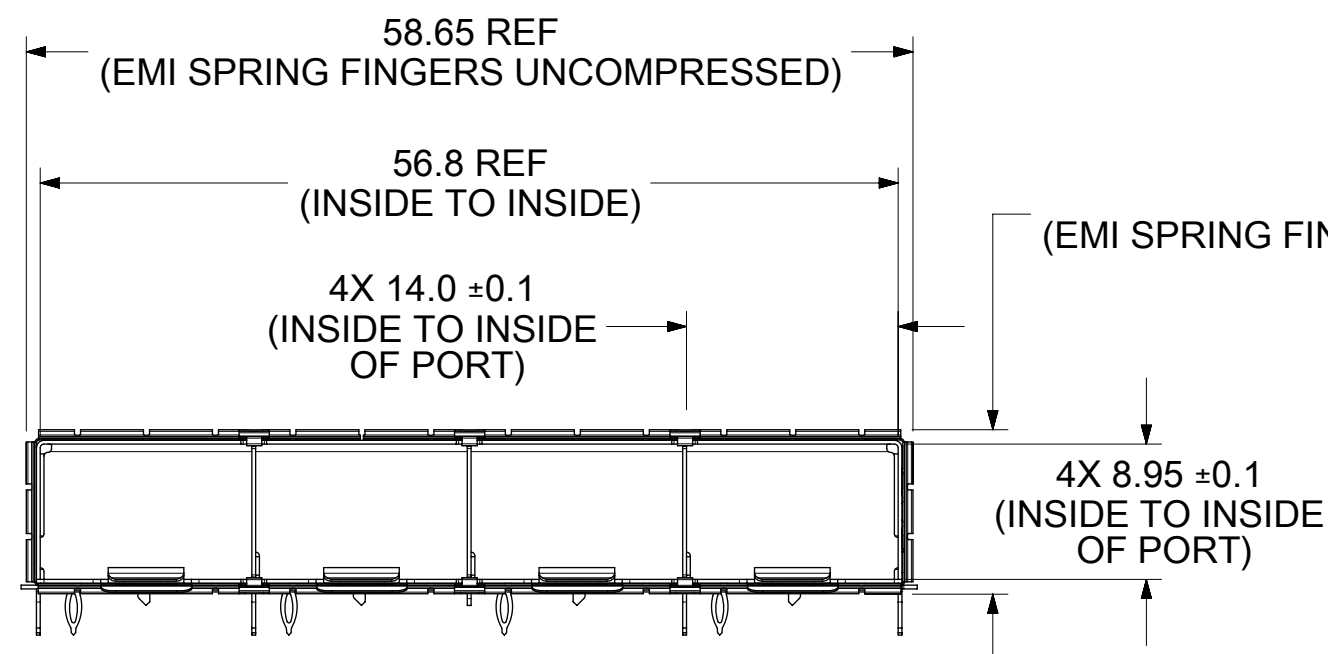
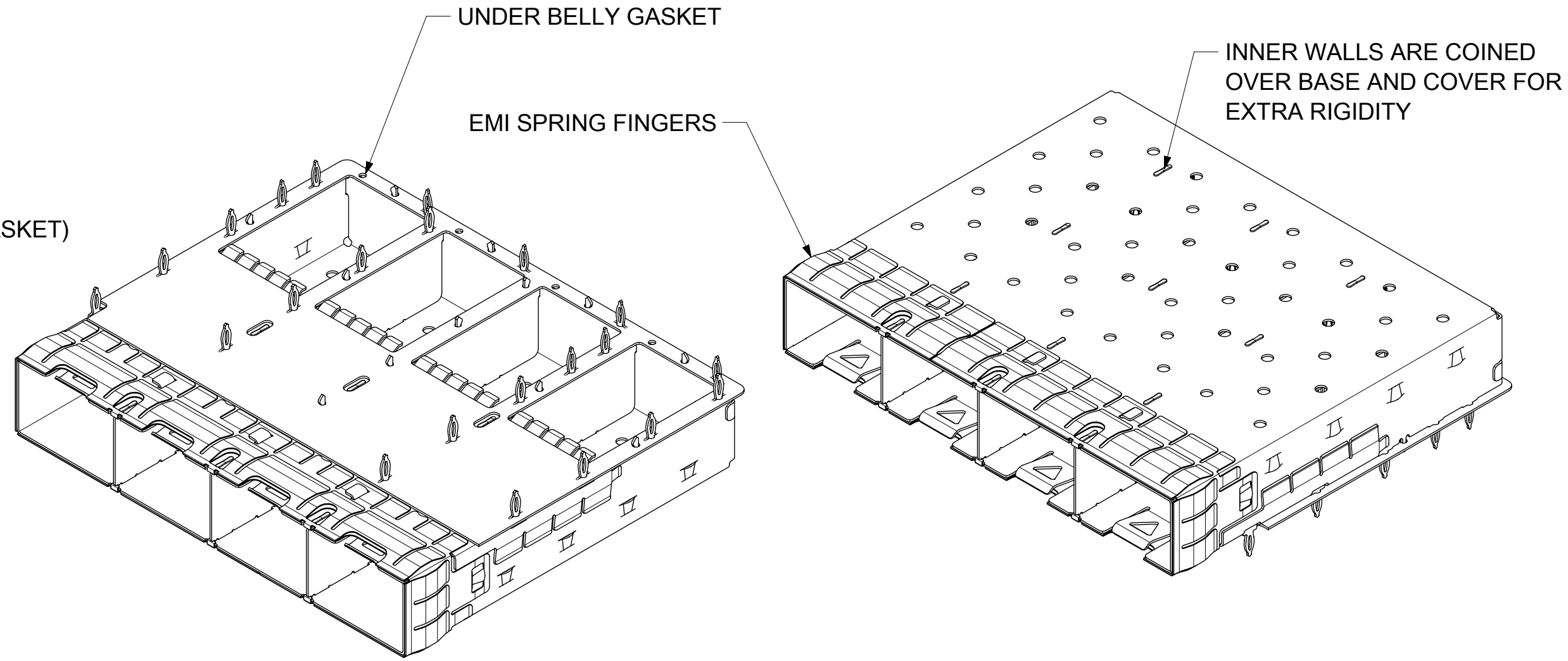
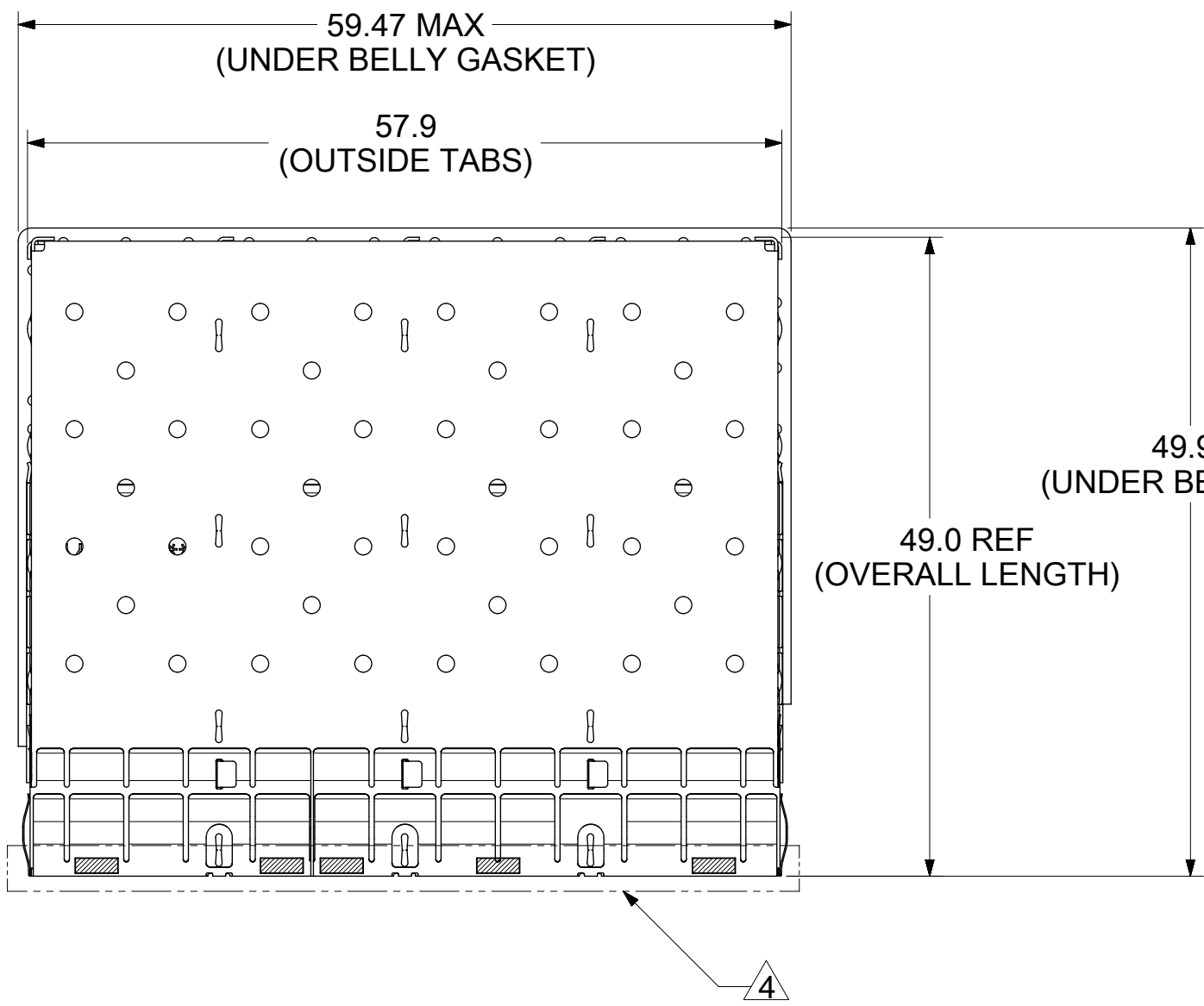


COMMON DIMENSIONS

1001148421 SHOWN



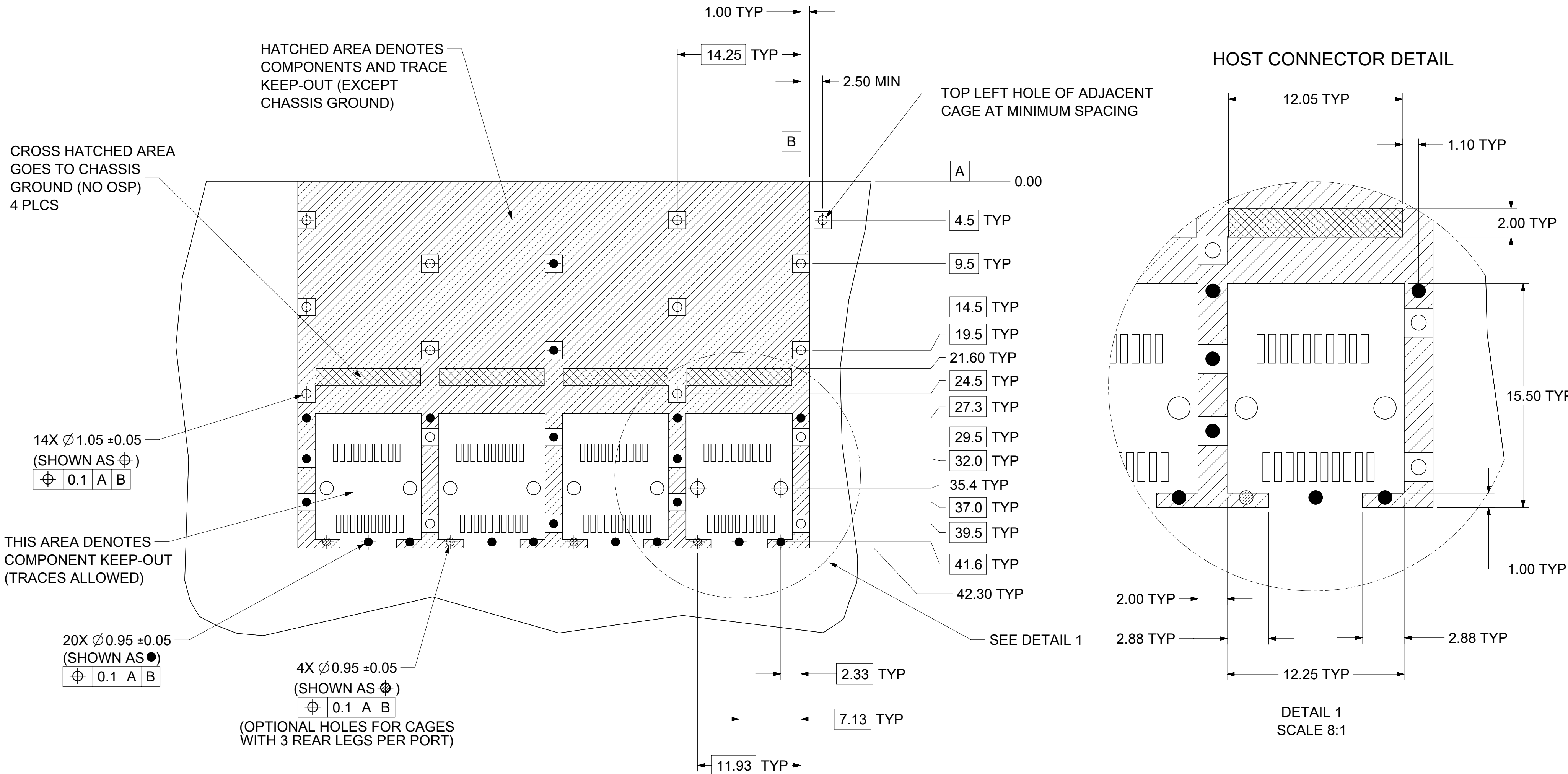
PART NO. AND WEEK/YEAR DATE CODE TO BE PRINTED ON THE BACK OF COMPLETED CAGE ASSEMBLY APPROXIMATELY AS SHOWN SEE TABLE BELOW FOR DATE CODE INFORMATION

WEEK/YEAR DATE CODE TABLE	
WW	01 THRU 52 OR 53 EXAMPLE: 01 = FIRST WEEK OF YEAR 52 = LAST WEEK OF YEAR
YY	22, 23, 24 ETC. EXAMPLE: YEAR 2022 = 22

- NOTES:
- MATERIAL:
CAGE: 0.25mm THICK COPPER ALLOY, NICKEL PLATED.
SPRING FINGERS: STAINLESS STEEL.
GASKET: EMI GASKET
 - PRESS FIT LEGS 3.05mm LONG:
 - PORTS ARE DESIGNED FOR SFP+ TRANSCEIVERS AND ARE COMPATIBLE WITH SFP TRANSCEIVERS.
THE TOP SURFACE OF THE MODULE MUST BE FLAT (NO PRODUCT LABEL RECESS)
AND THERMALLY CONDUCTIVE TO FUNCTION OPTIMALLY.
 - WELD SPOT MAY SHOW SLIGHT MATERIAL DISCOLORATION.
 - NO RoHS EXEMPTIONS.

FUNCTIONAL SYMBOLS	THIS DRAWING CONTAINS INFORMATION THAT IS PROPRIETARY TO MOLEX ELECTRONIC TECHNOLOGIES, LLC AND SHOULD NOT BE USED WITHOUT WRITTEN PERMISSION		CURRENT REV DESC: SEE REVISION TABLE	
	DIMENSION UNITS	SCALE		
$\nabla_A = 0$	mm	2:1		
$\nabla_C = 0$	GENERAL TOLERANCES (UNLESS SPECIFIED)			
	ANGULAR TOL $\pm 1.0^\circ$			
DIVISIONAL SYMBOLS	4 PLACES	\pm	EC NO: 707505	
	3 PLACES	\pm	DRWN: ABHILT2	2022/04/27
	2 PLACES	± 0.15	CHK'D: TKUMARKC	2022/05/20
	1 PLACE	± 0.25	APPR: SCHIEN	2022/05/20
0 PLACES	\pm	INITIAL REVISION:		
DRAFT WHERE APPLICABLE MUST REMAIN WITHIN DIMENSIONS		THIRD ANGLE PROJECTION	DRAWING	SERIES
			C-SIZE	100114
DOCUMENT STATUS		RELEASE DATE	MATERIAL NUMBER	CUSTOMER
P1		2022/05/20 08:36:29	1001148421	GENERAL MARKET
			DOC TYPE	DOC PART
			PSD	ASY
			REVISION	A
			SHEET NUMBER	1 OF 5

PCB LAYOUT FOR SINGLE SIDE MOUNT

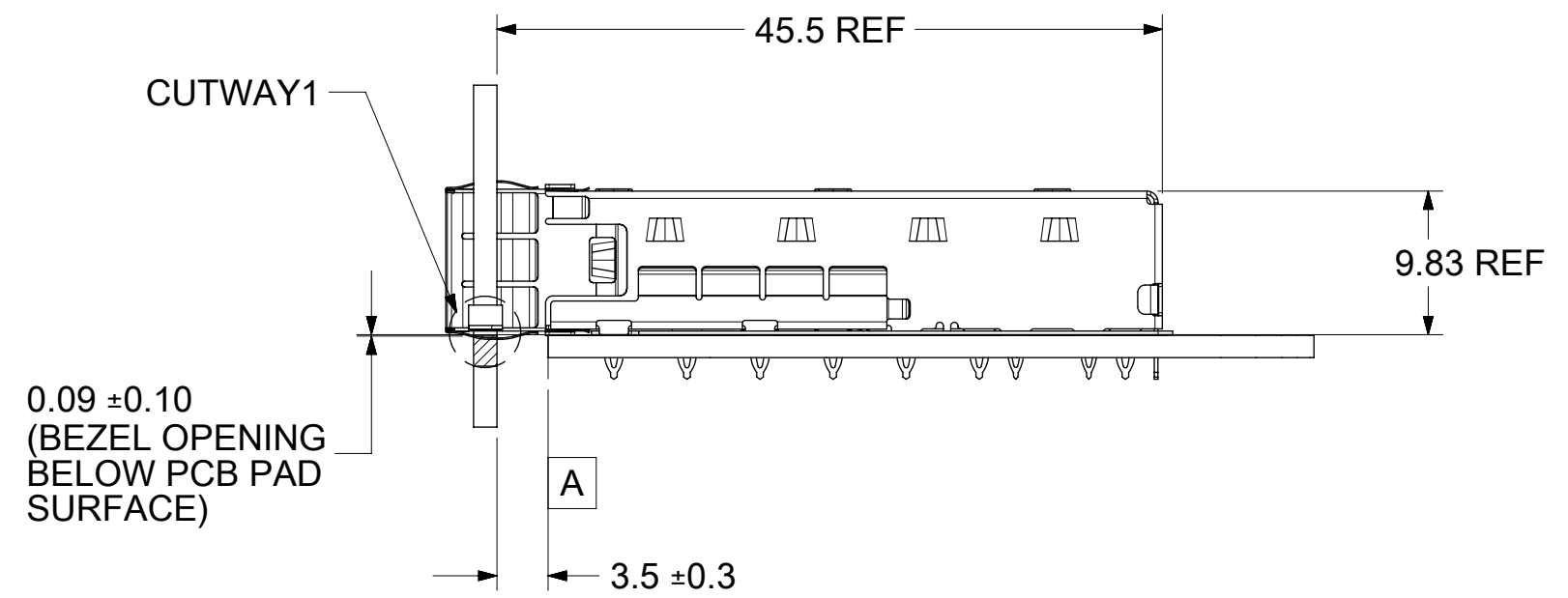
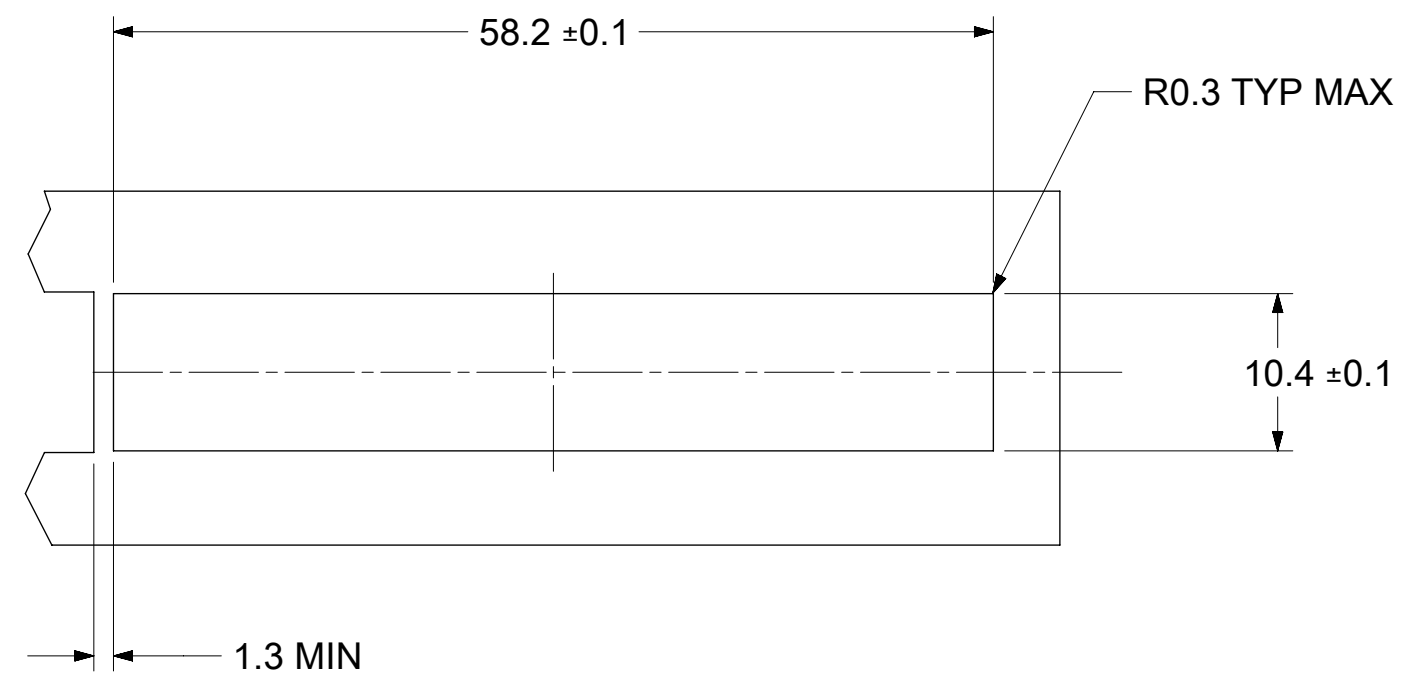


- NOTES:**
1. PADS AND VIAS CONNECT TO CHASSIS GROUND (RECOMMENDED PADS TO BE 2.00mm SQUARE)
 2. RECOMMENDED THRU HOLE PLATING INCLUDES HASL, OSP, OR IMMERSION (GOLD, SILVER, OR TIN)
 3. CONNECTOR PAD LAYOUT PER SFP+ MSA WILL ACCOMMODATE MOLEX CONNECTOR SERIES 170382 OR EQUIVALENT
 4. HOLE PATTERN REPEATS FOR EACH PORT, SPACING BETWEEN PORTS IS 14.25mm
 5. MINIMUM PCB THICKNESS FOR SINGLE SIDED USE 1.57mm.

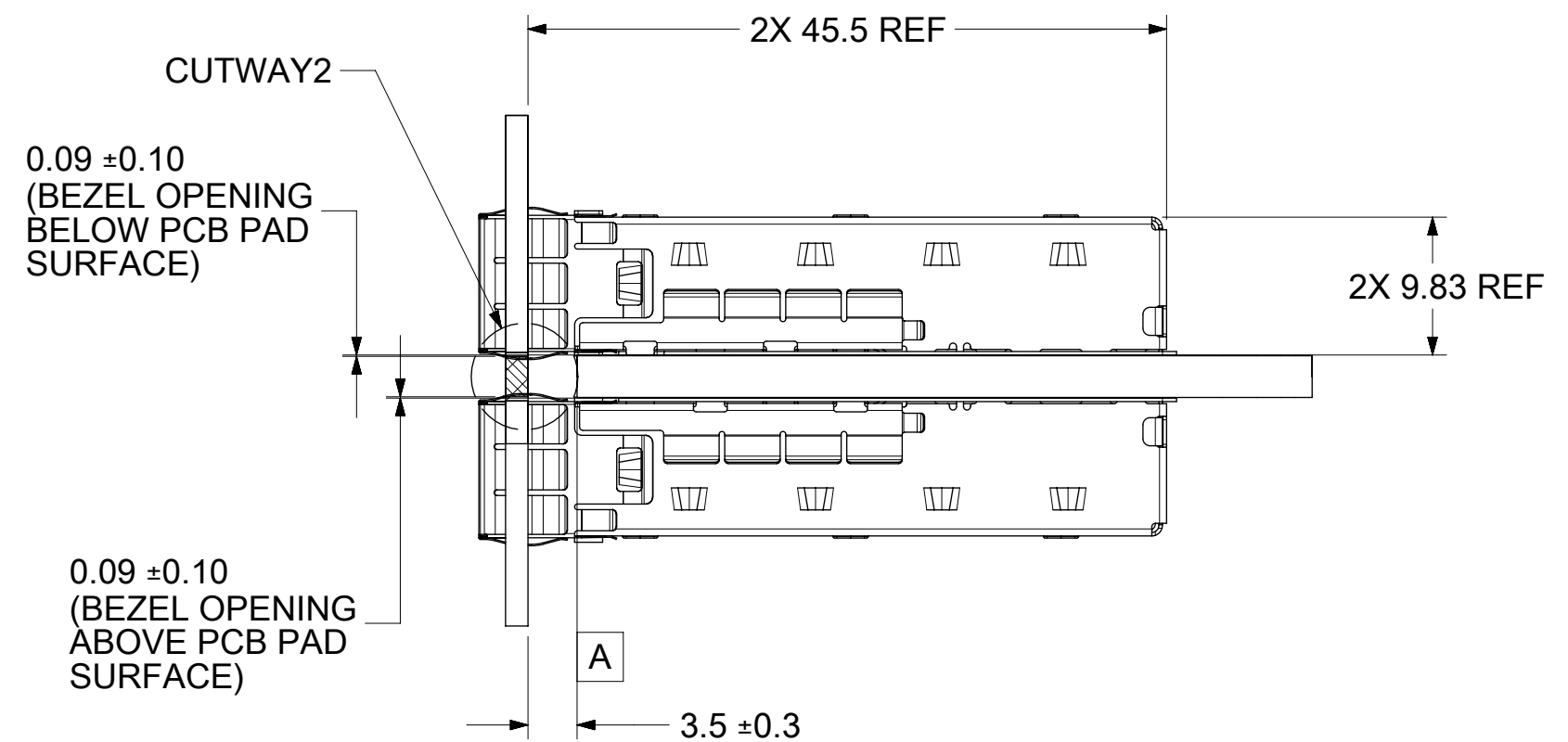
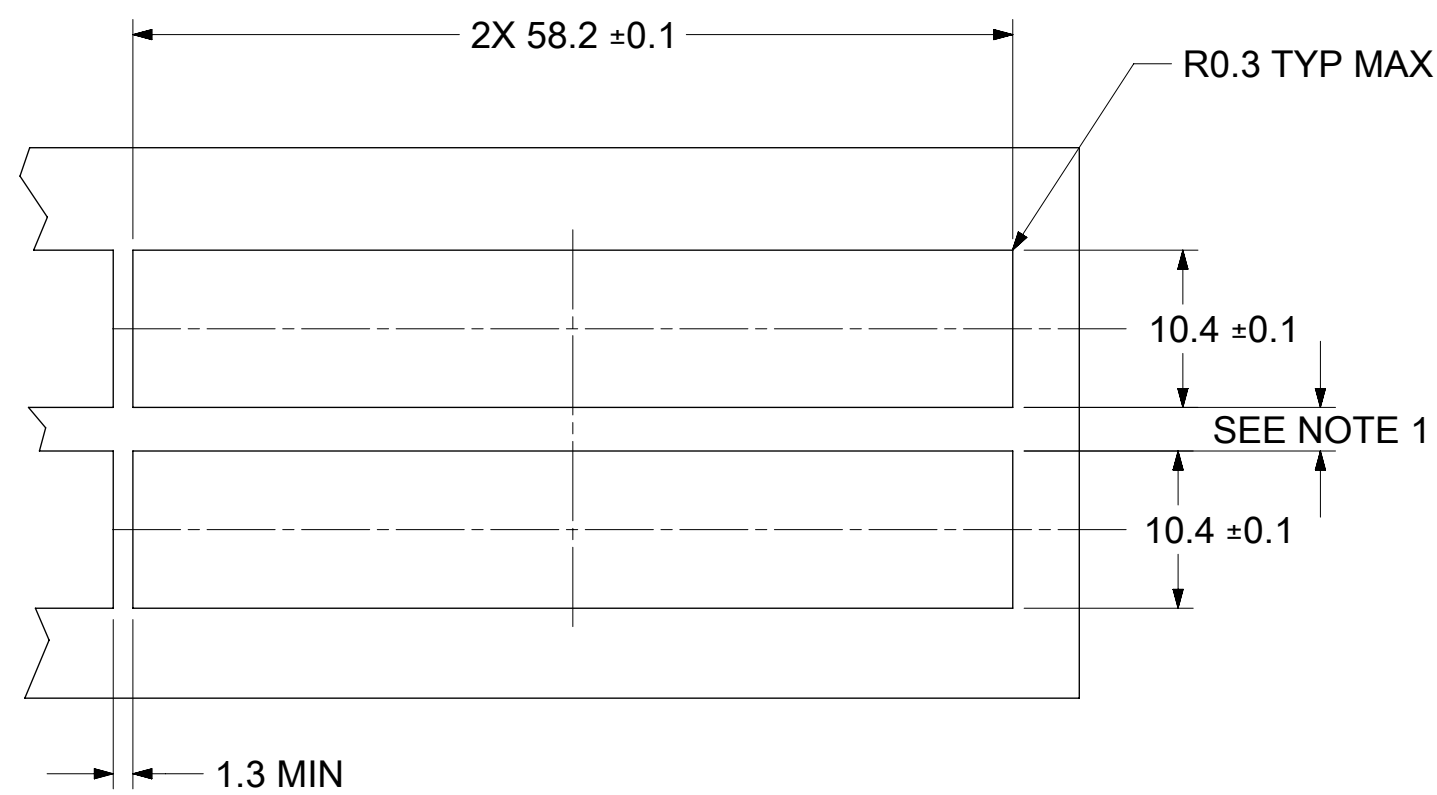
FUNCTIONAL SYMBOLS										THIS DRAWING CONTAINS INFORMATION THAT IS PROPRIETARY TO MOLEX ELECTRONIC TECHNOLOGIES, LLC AND SHOULD NOT BE USED WITHOUT WRITTEN PERMISSION									
DIMENSION UNITS		SCALE		CURRENT REV DESC: SEE REVISION TABLE															
mm		3:1		EC NO: 707505															
GENERAL TOLERANCES (UNLESS SPECIFIED)										DRWN: ABHILT2 2022/04/27									
ANGULAR TOL $\pm 1.0^\circ$										CHK'D: TKUMARKC 2022/05/20									
4 PLACES \pm										APPR: SCHIEN 2022/05/20									
3 PLACES \pm										INITIAL REVISION:									
2 PLACES ± 0.15										DRWN: ABHILT2 2022/04/27									
1 PLACE ± 0.25										APPR: SCHIEN 2022/05/20									
0 PLACES \pm										THIRD ANGLE PROJECTION									
DRAFT WHERE APPLICABLE MUST REMAIN WITHIN DIMENSIONS										DRAWING		SERIES		MATERIAL NUMBER		CUSTOMER		SHEET NUMBER	
C-SIZE		100114		1001140421		GENERAL MARKET		2 OF 5											

DOCUMENT STATUS	P1	RELEASE DATE	2022/05/20	08:36:29
-----------------	----	--------------	------------	----------

BEZEL AND BOARD POSITION DIMENSIONS FOR SINGLE SIDE MOUNTING (SPRING FINGER)



BEZEL AND BOARD POSITION DIMENSIONS FOR BELLY TO BELLY MOUNTING (SPRING FINGER)



NOTE:
 1. PCB THICKNESS VARIATION MUST BE CONSIDERED WHEN DETERMINING BEZEL OPENING LOCATION.
 2. CAGE LEG STANDOFF WILL PIERCE BELLY GASKET WHEN PROPERLY PRESSED INTO PCB.

FUNCTIONAL SYMBOLS	THIS DRAWING CONTAINS INFORMATION THAT IS PROPRIETARY TO MOLEX ELECTRONIC TECHNOLOGIES, LLC AND SHOULD NOT BE USED WITHOUT WRITTEN PERMISSION		
	DIMENSION UNITS	SCALE	CURRENT REV DESC: SEE REVISION TABLE
$\frac{F}{A} = 0$	mm	2:1	EC NO: 707505 DRWN: ABHILT2 2022/04/27 CHK'D: TKUMARKC 2022/05/20 APPR: SCHIEN 2022/05/20
$\frac{F}{C} = 0$	GENERAL TOLERANCES (UNLESS SPECIFIED)		
$\frac{F}{P} = 0$	ANGULAR TOL ± 1.0°		INITIAL REVISION: DRWN: ABHILT2 2022/04/27 APPR: SCHIEN 2022/05/20
DIVISIONAL SYMBOLS	4 PLACES	±	
	3 PLACES	±	DOCUMENT NUMBER 1001148421
	2 PLACES	± 0.15	
	1 PLACE	± 0.25	DOC TYPE PSD
	0 PLACES	±	DOC PART ASY
DRAFT WHERE APPLICABLE MUST REMAIN WITHIN DIMENSIONS	THIRD ANGLE PROJECTION	DRAWING C-SIZE	SHEET NUMBER 4 OF 5
	SERIES 100114	MATERIAL NUMBER 1001140421	CUSTOMER GENERAL MARKET

molex

ZSFP+ 1X4 SF CAGE ASSY'S PRESS FIT
SUS SPRING FINGER TYPE, WITH UNDER BELLY GASKET

PRODUCT CUSTOMER DRAWING

REVISION
A

