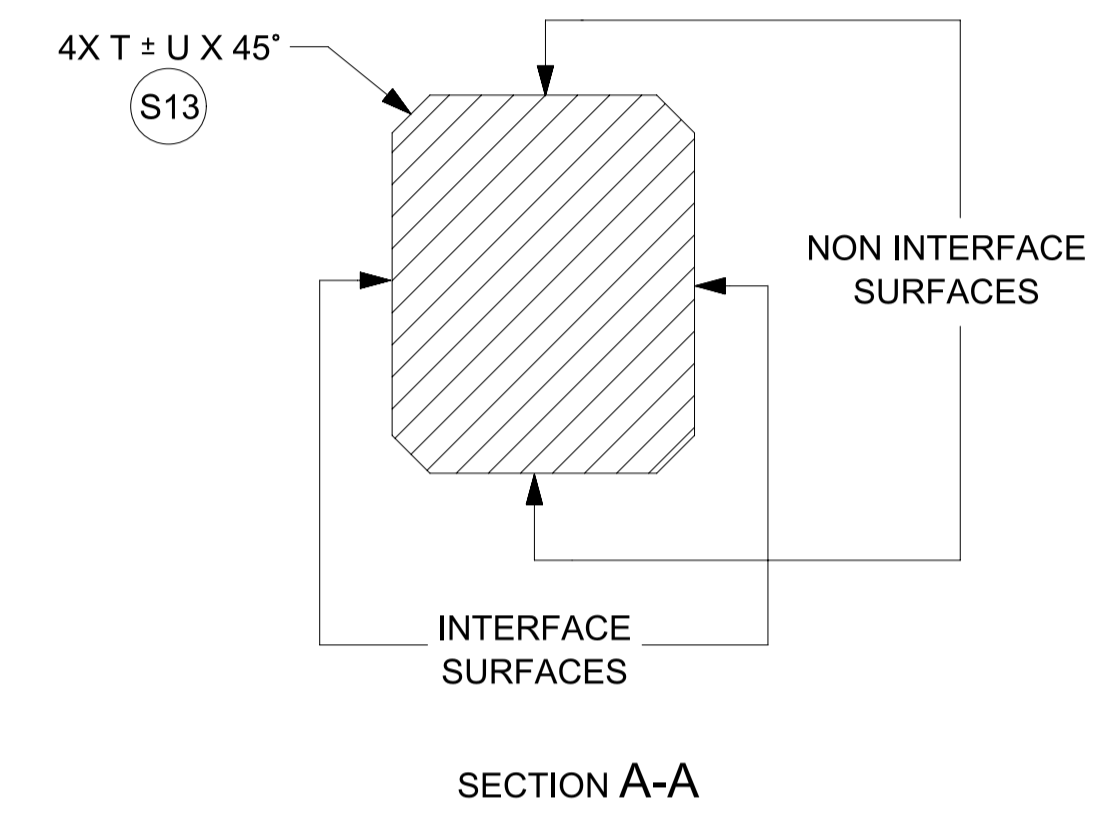
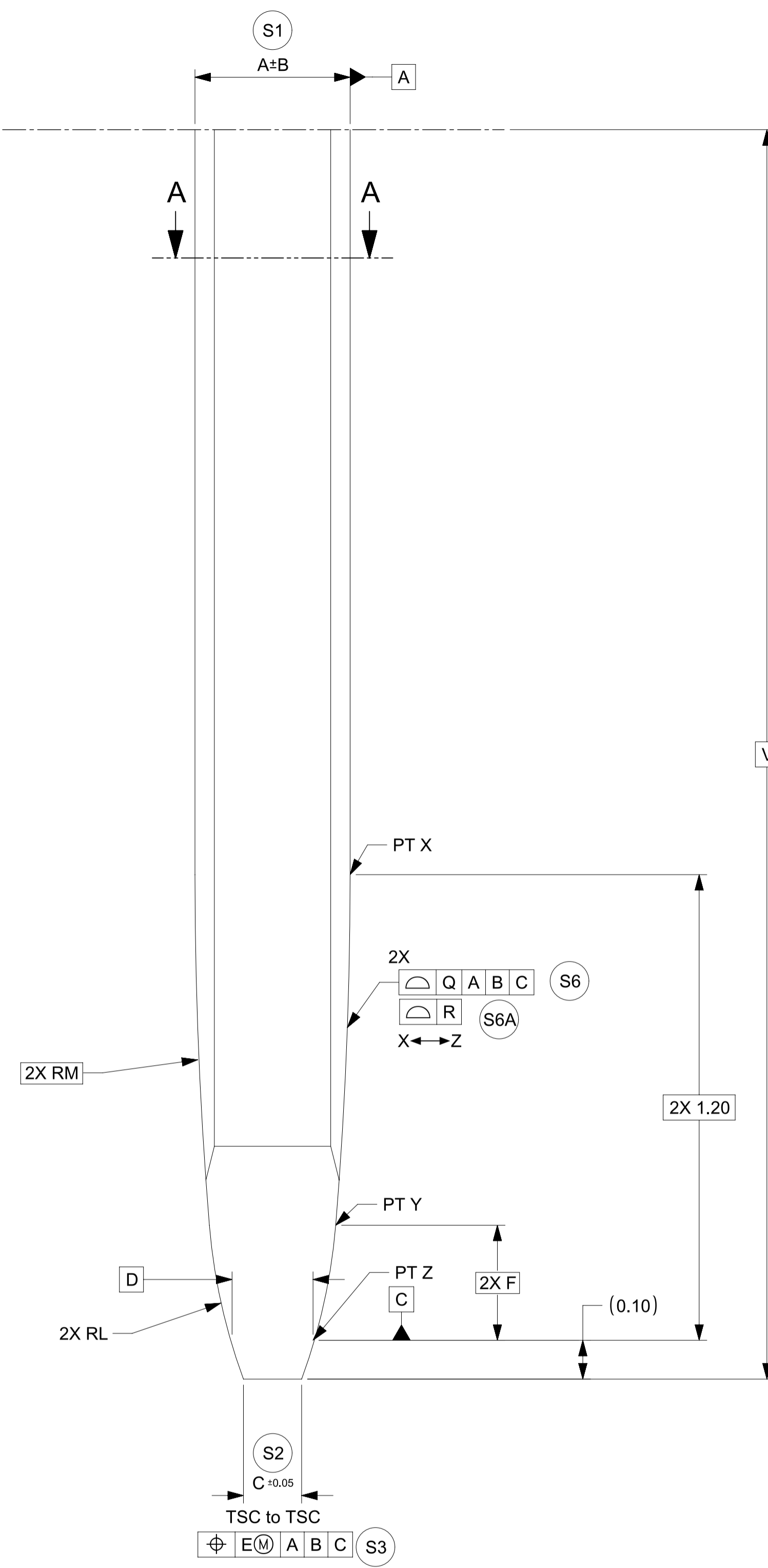


SCALE 100:1



| TABLE 1 | | | DRAWING DIMENSIONS | | | | | | | | | | | | | | | | | | |
|-------------------|----------------------------------|-------------|--------------------|-------|-------|-------|------|-------|------|------|------|-------|-------|------|------|------|------|------|------|----------|------|
| Model NO. | Description | Application | A | B | C | D | E | F | G | H | J | L | M | N | P | Q | R | T | U | V | W |
| 34735-0004_FM_000 | 0.50mm BLADE | HEADER | 0.40 | 0.015 | 0.15 | 0.216 | 0.05 | 0.296 | 0.50 | 0.03 | 0.05 | 1.5 | 11 | 0.20 | 0.50 | 0.10 | 0.06 | 0.05 | 0.03 | 4.0 MIN | 0.08 |
| 34735-0001_FM_000 | 0.64mm BLADE - NORMAL THICKNESS | HEADER | 0.64 | 0.03 | 0.25 | 0.356 | 0.10 | 0.285 | 0.64 | 0.03 | 0.05 | 1 | 7 | 0.25 | 0.55 | 0.10 | 0.06 | 0.05 | 0.03 | 5.5 MIN | 0.08 |
| 34735-0002_FM_000 | 0.64mm BLADE - REDUCED THICKNESS | HEADER | 0.625 | 0.015 | 0.234 | 0.341 | 0.10 | 0.285 | 0.64 | 0.03 | 0.05 | 1 | 7 | 0.25 | 0.55 | 0.10 | 0.06 | 0.05 | 0.03 | 5.5 MIN | 0.08 |
| 34735-0006_FM_000 | 1.20mm BLADE | HEADER | 0.60 | 0.015 | 0.21 | 0.316 | 0.10 | 0.285 | 1.00 | 0.05 | 0.05 | 1 | 7 | 0.59 | 0.55 | 0.10 | 0.06 | 0.05 | 0.03 | 5.5 MIN | 0.13 |
| 34735-0003_FM_000 | 1.50mm BLADE | HEADER | 0.80 | 0.03 | 0.25 | 0.321 | 0.10 | 1.10 | 1.50 | 0.05 | 0.10 | 4.775 | 1.083 | 0.5 | 1.68 | 0.10 | 0.06 | 0.05 | 0.03 | 5.0 MIN | 0.13 |
| 34735-0010_FM_000 | 2.8mm BLADE | HEADER | 0.80 | 0.025 | 0.20 | 0.345 | 0.10 | 0.314 | 2.50 | 0.10 | 0.10 | 1 | 4 | 1.80 | 1.10 | 0.15 | 0.06 | 0.06 | 0.05 | 9.5 MIN | 0.25 |
| 34735-0011_FM_000 | 6.3mm BLADE | HEADER | 0.80 | 0.025 | 0.31 | 0.345 | 0.10 | 0.314 | 6.0 | 0.25 | 0.20 | 1 | 4 | 3.90 | 1.10 | 0.15 | 0.06 | 0.06 | 0.05 | 10.5 MIN | 0.13 |
| 34735-0012_FM_000 | 1.20mm BLADE | INLINE | 0.60 | 0.015 | 0.21 | 0.316 | 0.10 | 0.285 | 1.20 | 0.05 | 0.05 | 1 | 7 | 0.59 | 0.55 | 0.10 | 0.06 | N/A | N/A | 5.5 MIN | 0.13 |

| | | | | | | |
|--|---|--|------------------------|---|---|-----------------|
| FUNCTIONAL SYMBOLS $\nabla_A = 0$ $\nabla_C = 0$ $\nabla_P = 0$ DIVISIONAL SYMBOLS | THIS DRAWING CONTAINS INFORMATION THAT IS PROPRIETARY TO MOLEX ELECTRONIC TECHNOLOGIES, LLC AND SHOULD NOT BE USED WITHOUT WRITTEN PERMISSION | | CURRENT REV DESC: | | <p>DESIGN STANDARD HEADER PIN & BLADE TIP GEOMETRY FOR MATING TO HARNESS TERMINALS</p> <p>PRODUCT SALES DRAWING</p> | |
| | DIMENSION UNITS mm SCALE 100:1 | GENERAL TOLERANCES (UNLESS SPECIFIED) ANGULAR TOL ± 0.5° 4 PLACES ± 0.00000 3 PLACES ± 0.0150 2 PLACES ± 0.050 1 PLACE ± 0.10 0 PLACES ± 0.00 | | PHASE: Design Production EC NO: CO-000000508 DRWN: Raghavendra MV APPR: Deepak Patil 2022-01-31 2022-02-07 2022-02-09 | | |
| | DRAFT WHERE APPLICABLE MUST REMAIN WITHIN DIMENSIONS | | THIRD ANGLE PROJECTION | DRAWING A1-SIZE | | SERIES 34735 |
| | DOCUMENT NUMBER 347350050 | | DOC TYPE PSD | DOC PART 000 | | REVISION A21 |
| MATERIAL NUMBER | | CUSTOMER | | SHEET NUMBER 2 OF 2 | | |

NOTES

1. GENERAL:

- 1.1. ALL PRODUCT SPECIFICATIONS AND THEIR RELATED DOCUMENTS USING THIS FEATURE MUST REFERENCE THIS DOCUMENT AS THE CONTROLLING SPECIFICATION AND USE THE SAME BALLOON NUMBERS.
- 1.2. COMPLIANCY TO THIS DOCUMENT:
 - a) COMPLIANCY MAY BE CLAIMED BY MEETING THE REQUIREMENTS IN THIS SPECIFICATION WITH THE DEVIATION IDENTIFIED AND MAY BE REFERENCED IN OTHER DOCUMENTS (DRAWINGS, DVP&R, ETC.) AS 'CONFORMS TO MOLEX 347350050 REV X.X'.
 - b) PRODUCTS DESIGNED AFTER THE DATE OF RELEASE OF THIS DOCUMENT SHALL BE COMPLIANT TO THE CURRENT REVISION OF THIS DOCUMENT.
 - c) PRODUCTS THAT HAVE MET PREVIOUS REVISION(S) OF THIS DOCUMENT SPECIFICATION SHALL STILL BE CONSIDERED 'MOLEX STANDARDS COMPLIANT' TO THOSE REVISIONS AND DO NOT NEED TO BE RE-VALIDATED.
- 1.3. DEVIATIONS TO THIS DOCUMENT ARE ALLOWABLE UNDER THE FOLLOWING CONDITIONS:
 - a) ALL DEVIATIONS SHALL SHOW EQUAL OR BETTER PERFORMANCE (ELECTRICAL/MECHANICAL) AS REQUIRED BY VALIDATION SPECIFICATION.
 - b) EXCEPTIONS ARE CLEARLY IDENTIFIED ON THE PRODUCT SPECIFICATION.
 - c) ALL DEVIATIONS ARE APPROVED BY THE FOLLOWING INDIVIDUALS:
 - PERSON WHO HAS INTERFACE RESPONSIBILITY
 - PERSON WITH DESIGN STANDARD APPROVER AUTHORITY
 - d) ALL RECORDS OF DEVIATION APPROVALS SHALL BE INCLUDED WITH CHANGE NOTICE DOCUMENTATION.

2. DESIGN - MATERIALS:

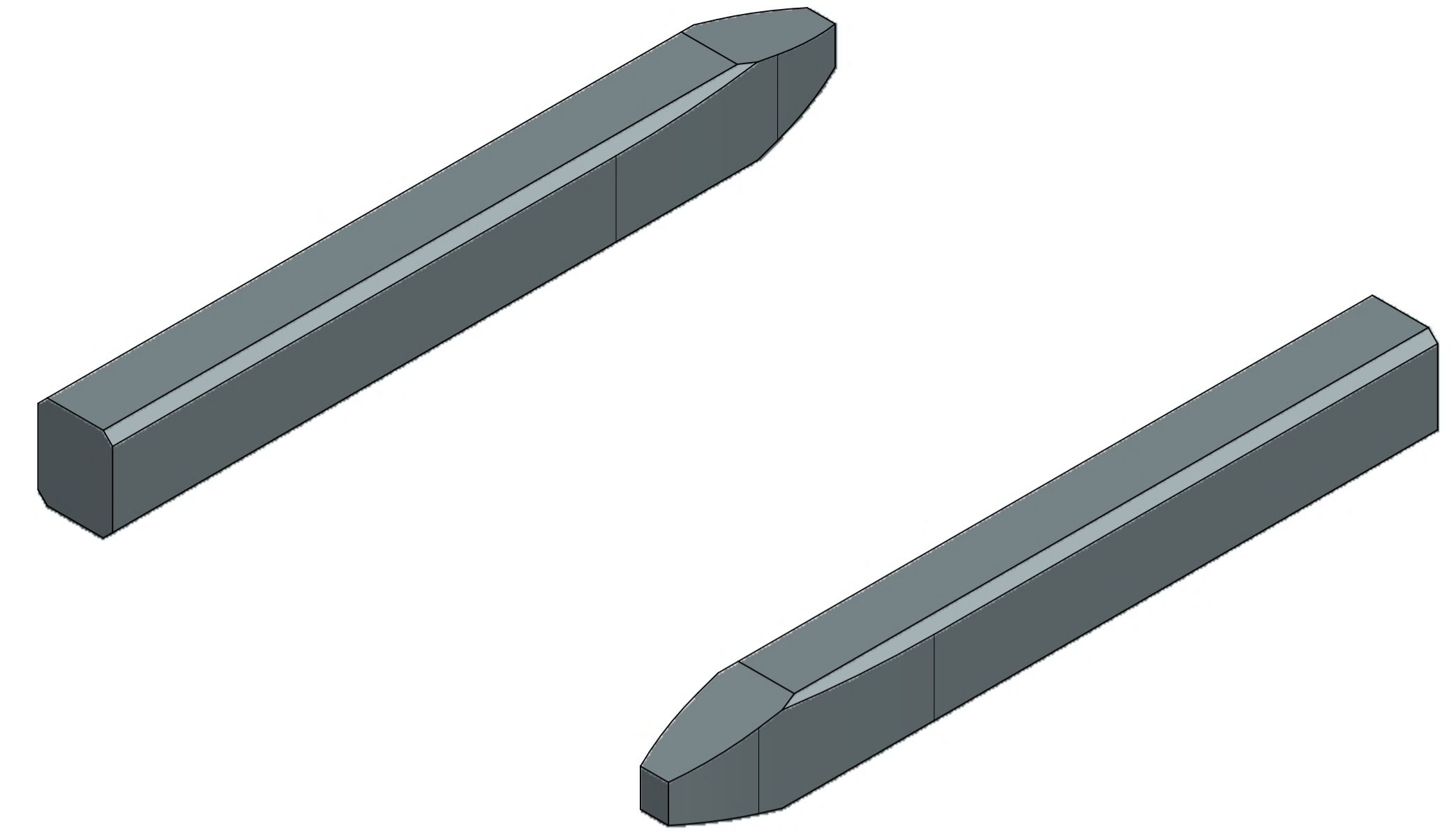
- 2.1. BASE MATERIAL TYPE : COPPER ALLOY

3. DESIGN - GEOMETRY:

- 3.1. THE 3-D CAD DATA IS BASIC (WITHOUT TOLERANCE) AND MASTER FOR THIS PART WITH EXCEPTION TO UNDERLINED DIMENSIONS. DIMENSIONAL INFORMATION NOT SHOWN ON THIS DRAWING IS DEFINED BY THE DATA FILE AT ITS LATEST REVISION.
- 3.2. PRODUCT DESIGN MODEL NUMBER(S): SEE BOM TABLE
- 3.3. GEOMETRIC DIMENSIONS AND TOLERANCES PER ASME Y14.5-2009
- 3.4. EDGES OF UNDEFINED SHAPE PER ISO 13715.
- 3.5. DIMENSIONS AND TOLERANCES APPLY BEFORE AND AFTER PLATING.
- 3.6. GENERAL TOLERANCES: SEE TITLE BLOCK

4. DESIGN - MANUFACTURING:

- 4.1. ANY REMAINING PROCESS LUBRICANT MUST NOT VARNISH OR DEGRADE ELECTRICAL PERFORMANCE. PROCESS LUBRICANTS SHOULD BE APPROVED BY THE RESPONSIBLE ENGINEER.
- 4.2. ALLOWABLE BURR: 0.03mm MAX UNLESS OTHERWISE SPECIFIED
- 4.3. FOR UNPLATES BLADES - TOOLING MARKS SPANNING ACROSS OR ALONG THE INTERFACING PROFILE OF THE BLADE SHOULD BE FURTHER INSPECTED. A TOOLING MARK DEEPER THAN 1 MICRON SHOULD NOT BE ACCEPTED.



SCALE 50:1

0.5 MM PIN VIEW SHOWN FOR REPRESENTATION PURPOSES ONLY

| | | | | | | | | | | |
|---|---------------------------------------|-----------------------------|-------------------------------|---------------------------------|--------|-----------------|----------|-----|--------------|-----|
| THIS DRAWING CONTAINS INFORMATION THAT IS PROPRIETARY TO MOLEX ELECTRONIC TECHNOLOGIES, LLC AND SHOULD NOT BE USED WITHOUT WRITTEN PERMISSION | | | | | | | | | | |
| FUNCTIONAL SYMBOLS | DIMENSION UNITS | SCALE | CURRENT REV DESC: | | | | | | | |
| | $\frac{E}{A} = 0$ | mm | 50:1 | PHASE: Design Production | | | | | | |
| DIVISIONAL SYMBOLS | GENERAL TOLERANCES (UNLESS SPECIFIED) | | EC NO: CO-00000508 | | | | | | | |
| | $\frac{E}{C} = 0$ | ANGULAR TOL $\pm 0.5^\circ$ | | DRWN: Raghavendra MV 2022-01-31 | | | | | | |
| DIVISIONAL SYMBOLS | $\frac{E}{P} = 0$ | 4 PLACES | ± 0.00000 | CHK'D: Nathan Song 2022-02-07 | | | | | | |
| | | 3 PLACES | ± 0.0150 | APPR: Deepak Patil 2022-02-09 | | | | | | |
| | | 2 PLACES | ± 0.050 | INITIAL REVISION: | | | | | | |
| | | 1 PLACE | ± 0.10 | DRWN: Raghavendra MV 2022-01-31 | | | | | | |
| | 0 PLACES | ± 0.00 | APPR: Deepak Patil 2022-02-09 | | | | | | | |
| DRAFT WHERE APPLICABLE MUST REMAIN WITHIN DIMENSIONS | | | THIRD ANGLE PROJECTION | DRAWING | SERIES | DOCUMENT NUMBER | | | | |
| | | | | A1-SIZE | 34735 | 347350050 | | PSD | 000 | A21 |
| | | | | | | MATERIAL NUMBER | CUSTOMER | | SHEET NUMBER | |
| | | | | | | | | | 1 OF 2 | |

molex

DESIGN STANDARD
HEADER PIN & BLADE TIP GEOMETRY FOR MATING
TO HARNESS TERMINALS

PRODUCT SALES DRAWING

DOCUMENT NUMBER DOC TYPE DOC PART REVISION

347350050 PSD 000 A21

MATERIAL NUMBER CUSTOMER SHEET NUMBER

1 OF 2

| TABLE OF CONTENTS | |
|-------------------|-------------------------------|
| SHEET NO. | SHEET DESCRIPTION |
| 1 | NOTES AND PART NUMBER CHART |
| 2 | KEY CONFIGURATIONS |
| 3 | RECEPTACLE CONNECTOR ASSEMBLY |

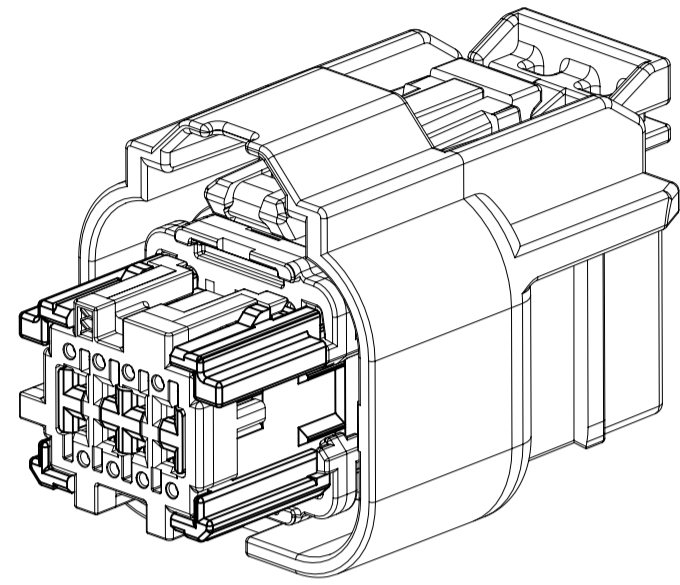
NOTES: VALID UNLESS OTHERWISE SPECIFIED

1. GENERAL:
 - a. APPLICATION SPECIFICATION SEE: AS-34894-0001
-CONTAINS: PRODUCT INTRODUCTION, PRODUCT SUMMARY, CONNECTOR ASSEMBLY, PACKAGING INFORMATION, CONNECTOR MATING, SERVICE INSTRUCTIONS, ELECTRICAL CONTINUITY CHECKING, CRIMPING, AND TROUBLESHOOTING.
 - b. PRODUCT SPECIFICATION SEE: 349670001 PS
-CONTAINS: PRODUCT INTRODUCTION, PRODUCT SUMMARY, RATINGS (CURRENT, TEMPERATURE, SEALING, AND FLAMMABILITY), AND PRODUCT VALIDATION.
 - c. FOR TERMINALS TO BE USED WITH THIS ASSEMBLY SEE MOLEX DRAWING 349050400 PSD.
 - d. DESIGNED TO MATE WITH DEVICE INTERFACE AS SPECIFIED IN PART NUMBER AND INTERFACE CHART. SEE MOLEX DRAWING 348950800 PSD FOR INTERFACE SPECIFICATION.
 - e. ASSEMBLY SHIPPED WITH ISL IN PRE-LOCK POSITION (SEE ISL PRE-LOCK VIEW SHEET 3).
 - f. PACKAGING SPECIFICATION PER MOLEX DRAWING: 348945000 PDD
 - g. PARTS MUST BE IN COMPLIANCE TO MOLEX CHEMICAL SUBSTANCES FOR PRODUCTS AND PACKAGING SPECIFICATION: 2014040014
 - h. DATA MUST BE SUBMITTED UNDER THE MOLEX PART NUMBER TO IMDS (COMPANY ID#13255)

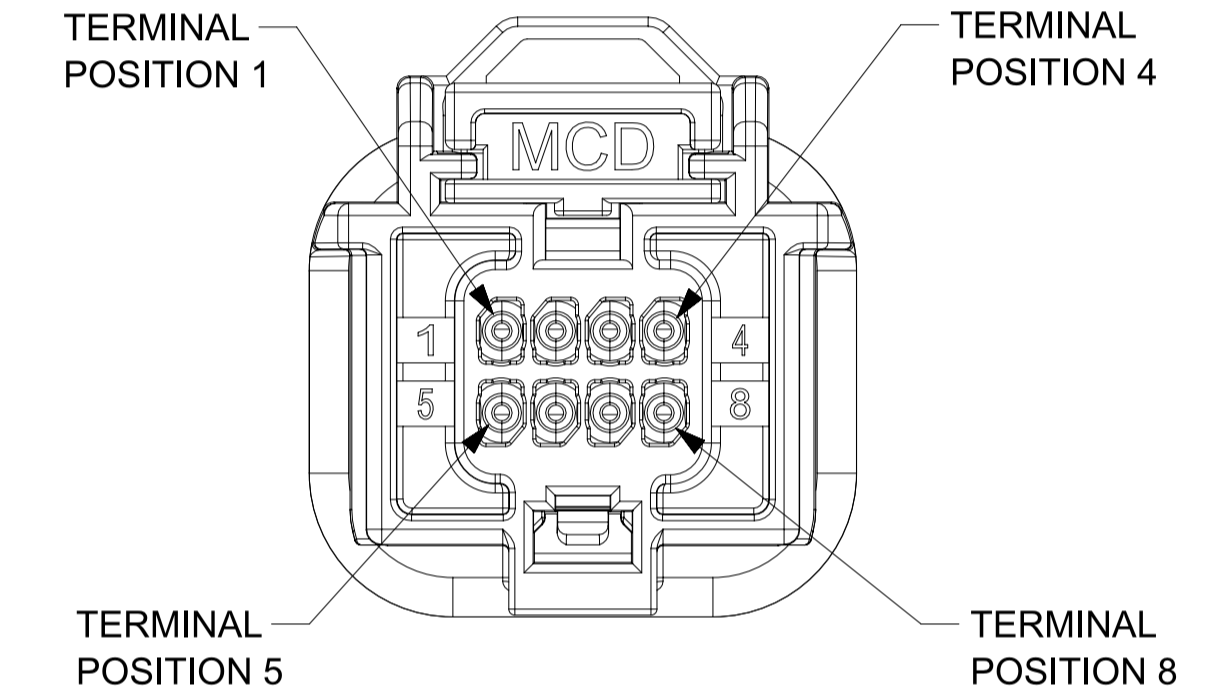
2. DESIGN - MATERIALS:
 - CONNECTOR HOUSING: NYLON GF35, BLACK
 - TERMINAL HOUSING: NYLON GF35, BLACK
 - COVER: NYLON GF35, COLOR SEE PART NUMBER CHART
 - ISL: SPS GF30, NATURAL
 - CPA: PBT GF30, RED
 - MAT SEAL: INHERENTLY LUBRICATED SILICONE
 - RING SEAL: INHERENTLY LUBRICATED SILICONE

3. DESIGN - GEOMETRY:
 - a. ALL GRAPHIC DATA IS BASIC (NO TOLERANCE) AND MUST BE TAKEN FROM THE DATA FILE AT ITS LATEST REVISION.
 - b. GEOMETRIC DIMENSIONS AND TOLERANCES PER ASME Y14.5-2009
 - c. EDGES AND UNDIMENSIONED DETAILS PER ISO13715
 - d. CORNERS SHOWN AS SHARP TO BE R 0.2 MAX.
 - e. LETTERING SHALL BE 0.15 MAX RAISED IN 0.25 MAX RECESS PAD. THIS INCLUDES RECYCLING CODE, CAVITY ID, VENDOR IDENTIFICATION, AND CUSTOMER MATERIAL NUMBER.
 - f. VISUAL DEFECTS SHALL MEET COSMETIC STANDARD PS-45499-002 (Class B).
 - g. PARTS ARE LASER MARKED WITH PART NUMBER AND DATE CODE.

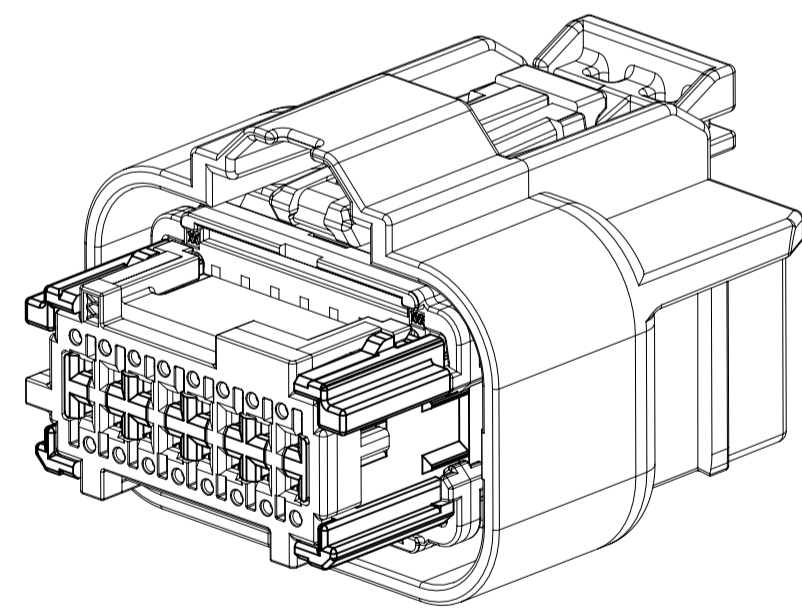
| PART NUMBER AND MATING INTERFACE CHART | | | | | |
|--|-------------|------------|-------------|--------------|------------------------|
| CIRCUIT SIZE | PART NUMBER | KEY | COVER COLOR | CPA INCLUDED | INTERFACE MODEL NUMBER |
| 2X4 | 34894-4001 | A | BLACK | YES | 348954805 |
| | 34894-4002 | B | LIGHT GRAY | YES | 348954806 |
| | 34894-4003 | C | DARK GRAY | YES | 348954807 |
| | 34894-4004 | D | STONE GRAY | YES | 348954808 |
| | 34894-4009 | A | BLACK | NO | 348954805 |
| | 34894-4010 | B | LIGHT GRAY | NO | 348954806 |
| | 34894-4011 | C | DARK GRAY | NO | 348954807 |
| 2X8 | 34894-4012 | D | STONE GRAY | NO | 348954808 |
| | 34894-8001 | A | BLACK | YES | 348958801 |
| | 34894-8002 | B | LIGHT GRAY | YES | 348958802 |
| | 34894-8003 | C | DARK GRAY | YES | 348958803 |
| | 34894-8004 | D | STONE GRAY | YES | 348958804 |
| | 34894-8009 | A | BLACK | NO | 348958801 |
| | 34894-8010 | B | LIGHT GRAY | NO | 348958802 |
| 34894-8011 | C | DARK GRAY | NO | 348958803 | |
| 34894-8012 | D | STONE GRAY | NO | 348958804 | |



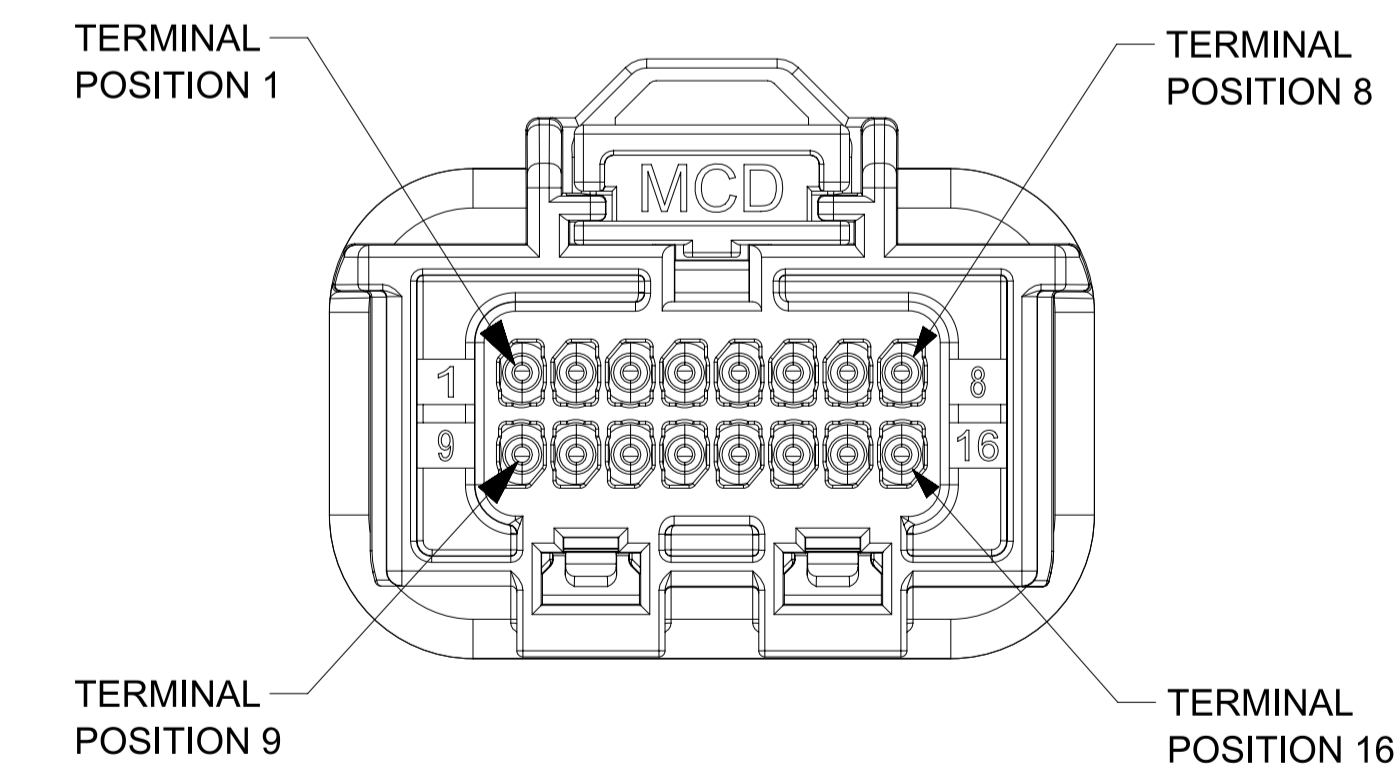
2X4



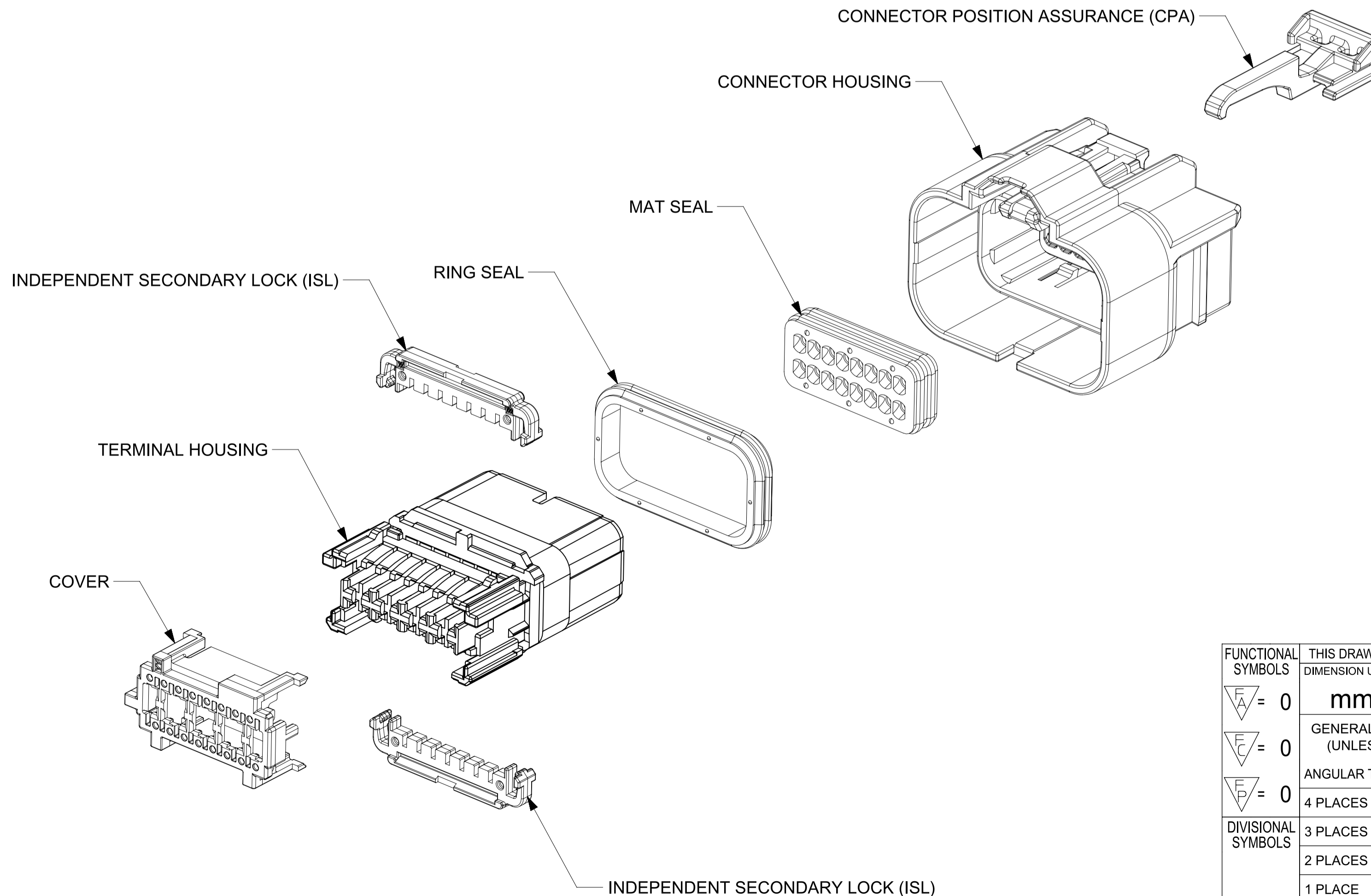
2X4



2X8



2X8

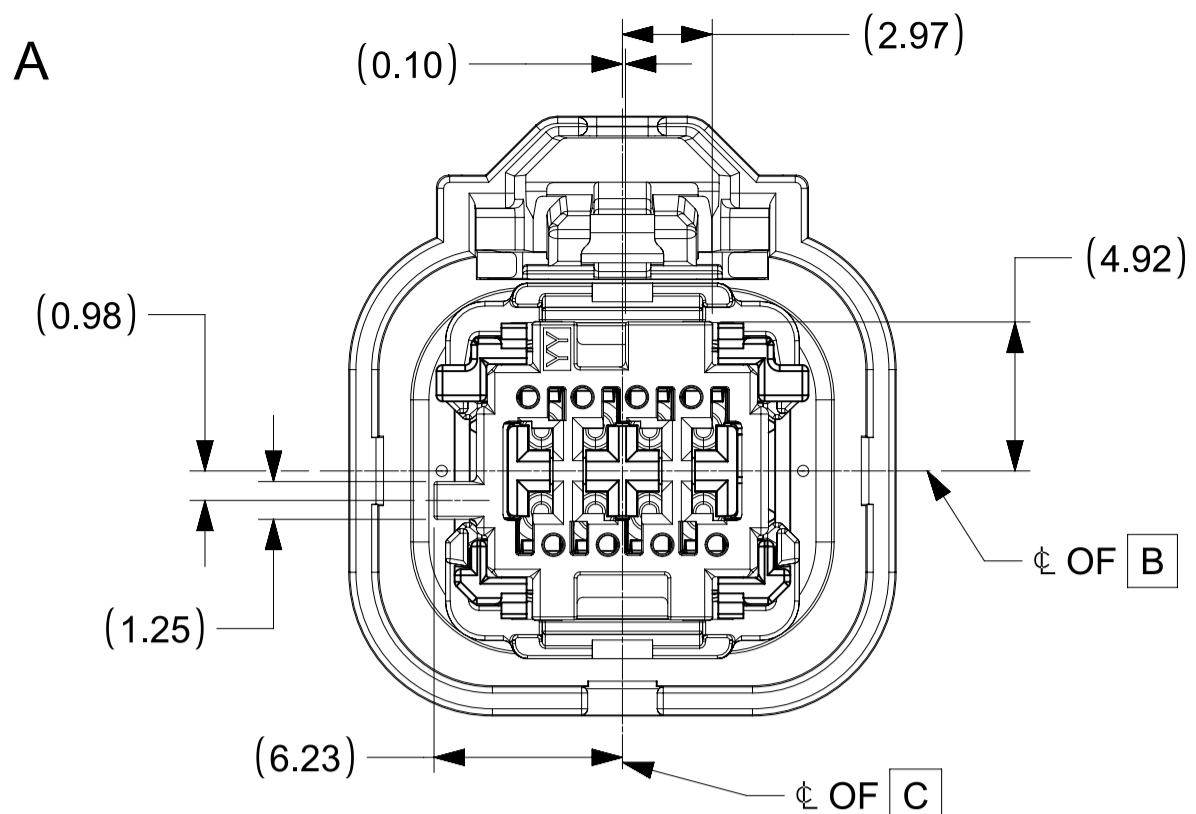


| | | | | | |
|---|---|-------------------------------------|---|--------------------------------|--|
| FUNCTIONAL SYMBOLS $\frac{F}{A} = 0$ $\frac{F}{C} = 0$ $\frac{F}{P} = 0$ DIVISIONAL SYMBOLS | THIS DRAWING CONTAINS INFORMATION THAT IS PROPRIETARY TO MOLEX ELECTRONIC TECHNOLOGIES, LLC AND SHOULD NOT BE USED WITHOUT WRITTEN PERMISSION | | CURRENT REV DESC: UPDATED 2X4 INTERFACE MODEL NUMBERS | | |
| | DIMENSION UNITS | SCALE | PHASE: Design Production | | |
| | mm | 3:1 | CO NO: CO-000001789 | | |
| | GENERAL TOLERANCES (UNLESS SPECIFIED) | | DRWN: Michael Li 2022-11-29 | | |
| ANGULAR TOL ± 0.5° | | CHK'D: Michael Li 2022-12-02 | | PRODUCT SALES DRAWING | |
| 4 PLACES ± | | APPR: Mike Vanslambrouck 2022-12-15 | | DOCUMENT NUMBER | |
| 3 PLACES ± | | INITIAL REVISION: | | DOC TYPE DOC PART REVISION | |
| 2 PLACES ± | | DRWN: KBORUSZEWSKI | | 348940001 PSD 000 A6 | |
| 1 PLACE ± | | APPR: | | MATERIAL NUMBER CUSTOMER | |
| 0 PLACES ± | | THIRD ANGLE PROJECTION | | SEE CHART | |
| DRAFT WHERE APPLICABLE MUST REMAIN WITHIN DIMENSIONS | | DRAWING | | SHEET NUMBER | |
| | | A1-SIZE | | 1 OF 3 | |
| | | SERIES | | | |
| | | 34894 | | | |

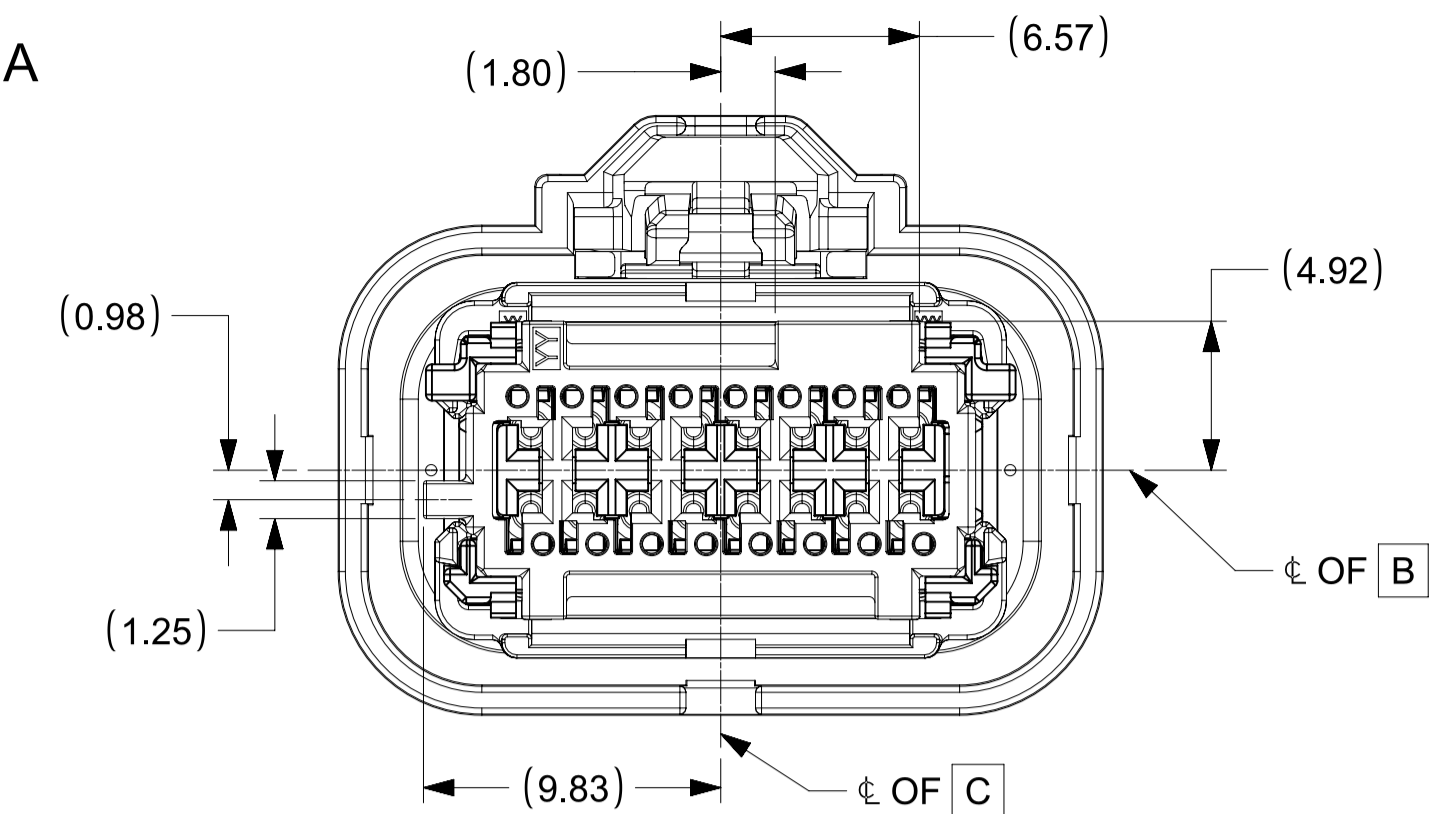
2X4

2X8

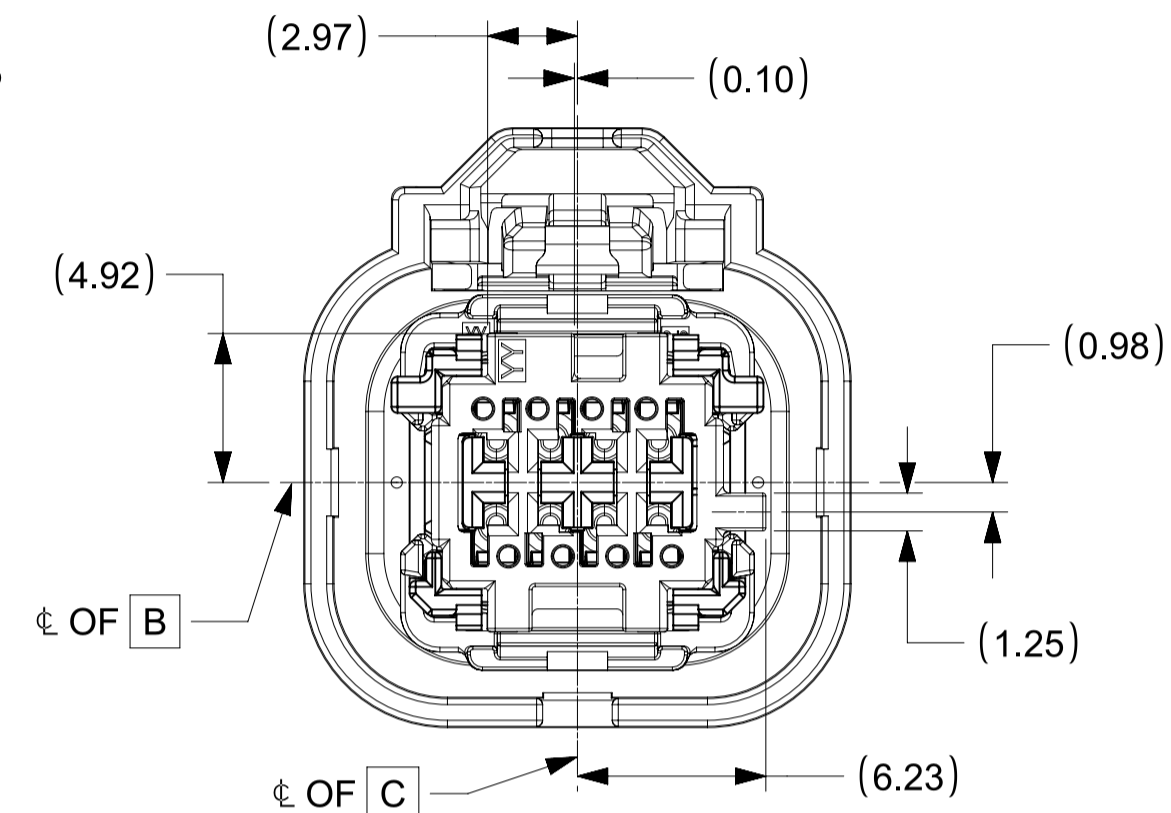
KEY A



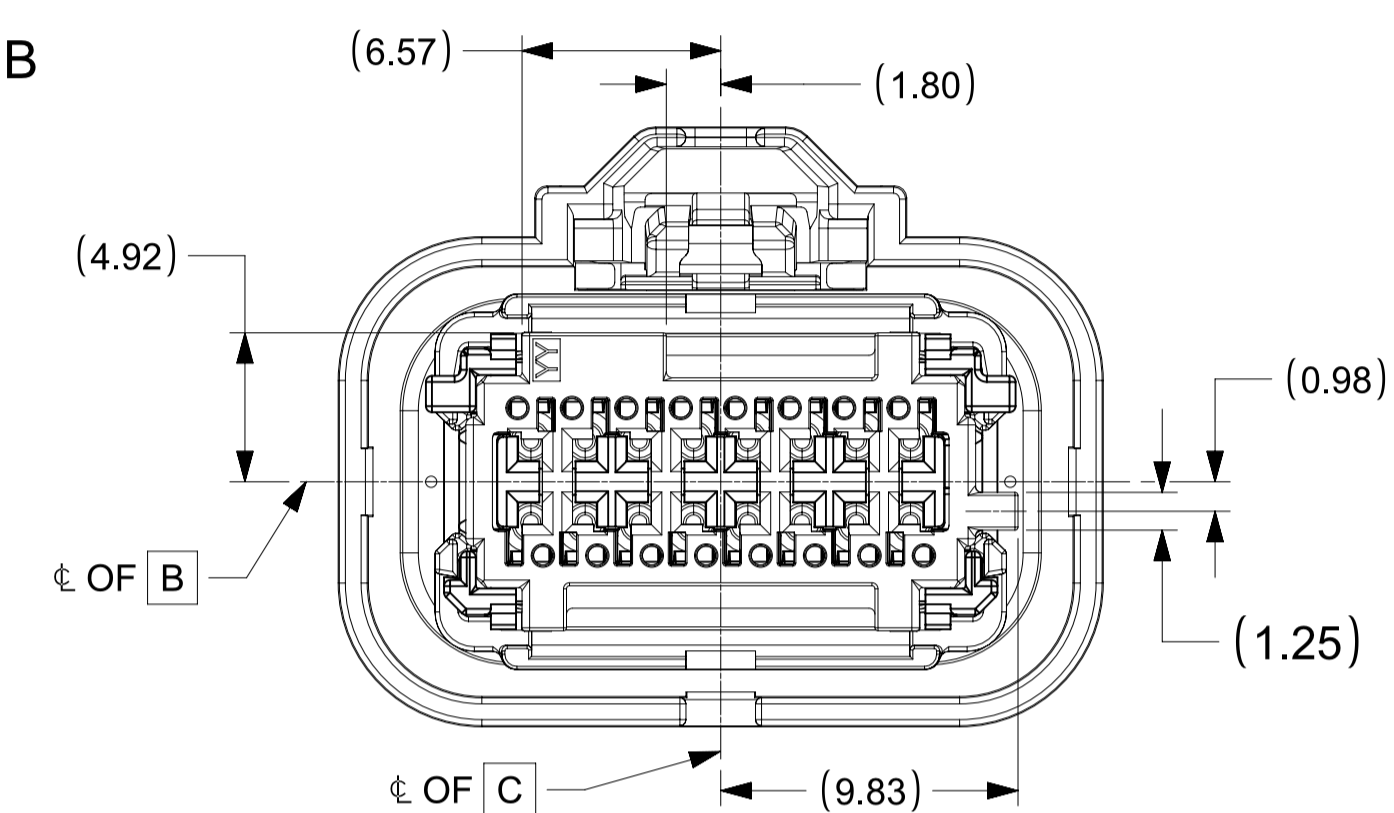
KEY A



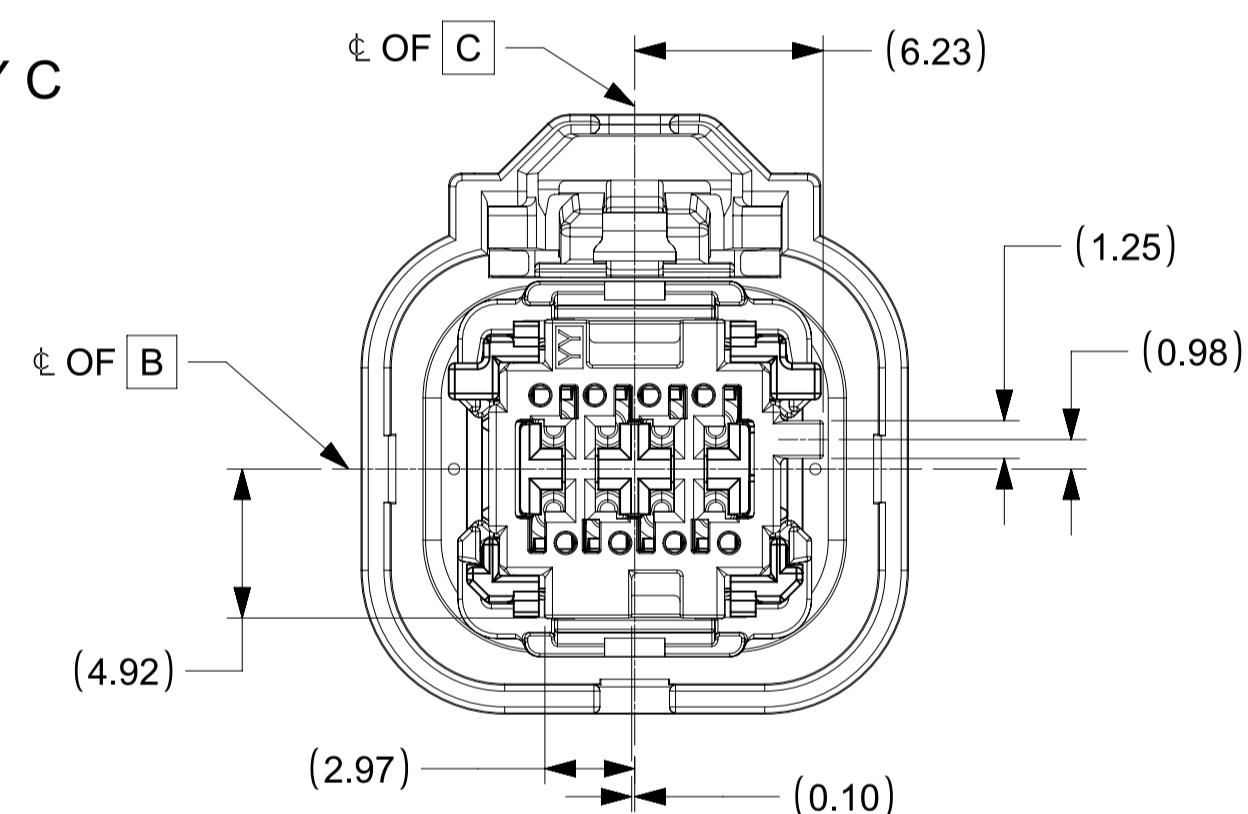
KEY B



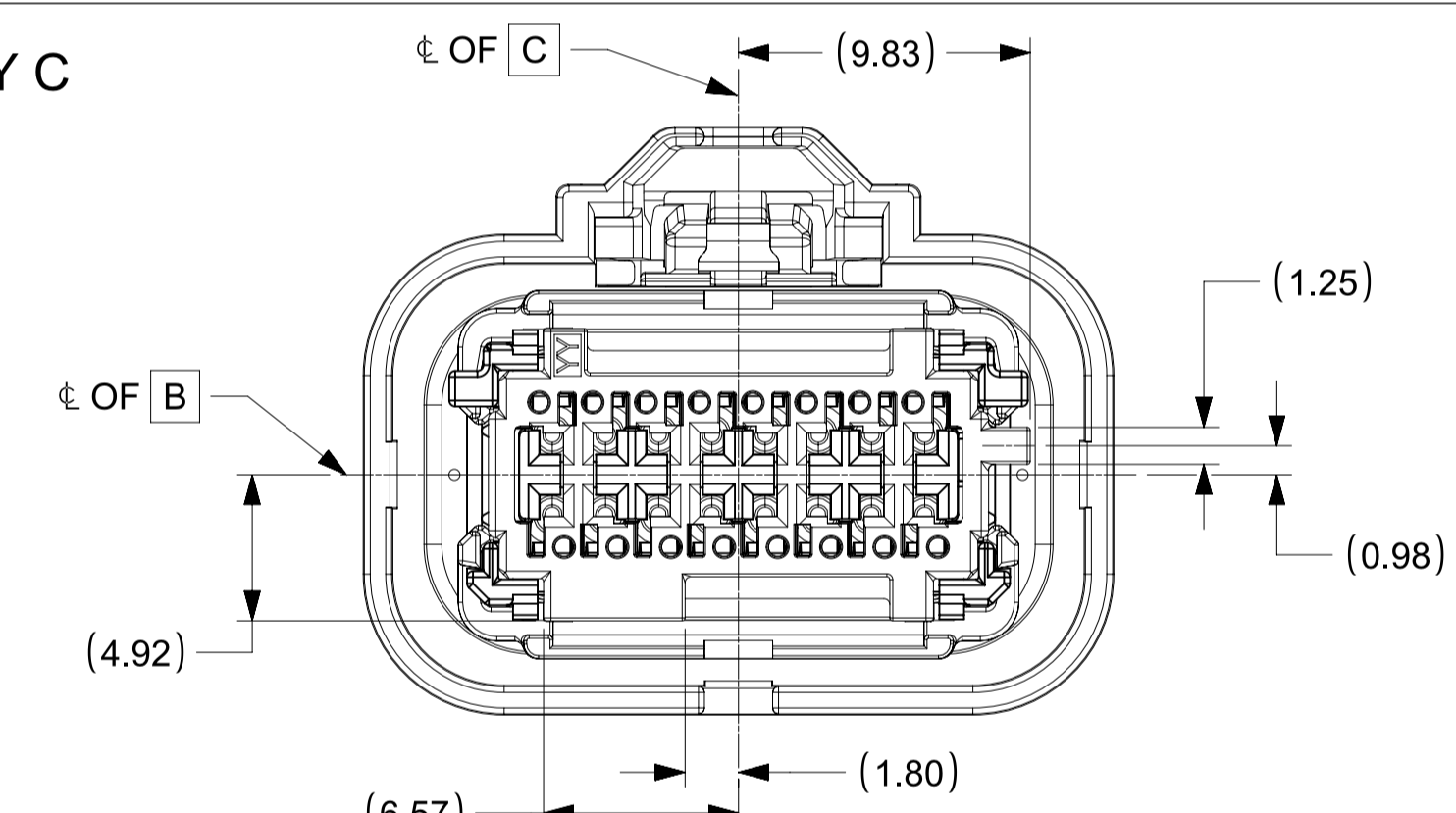
KEY B



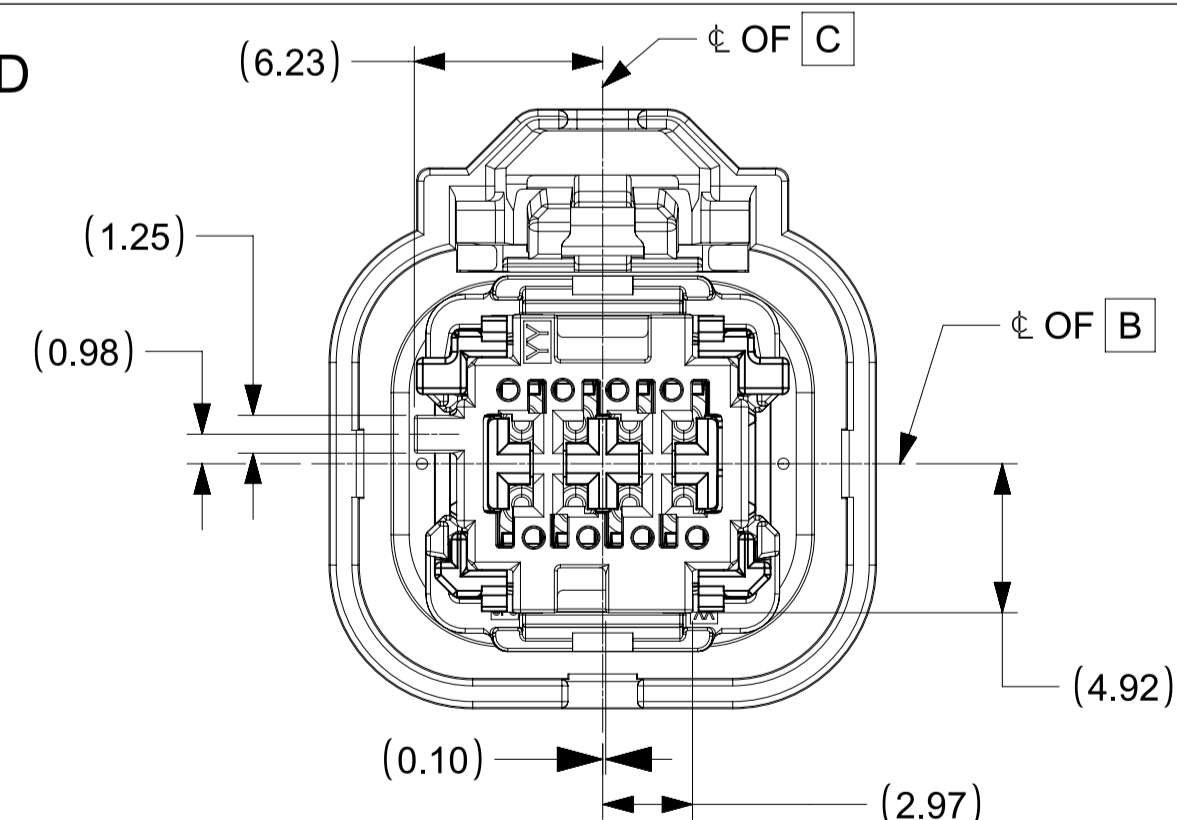
KEY C



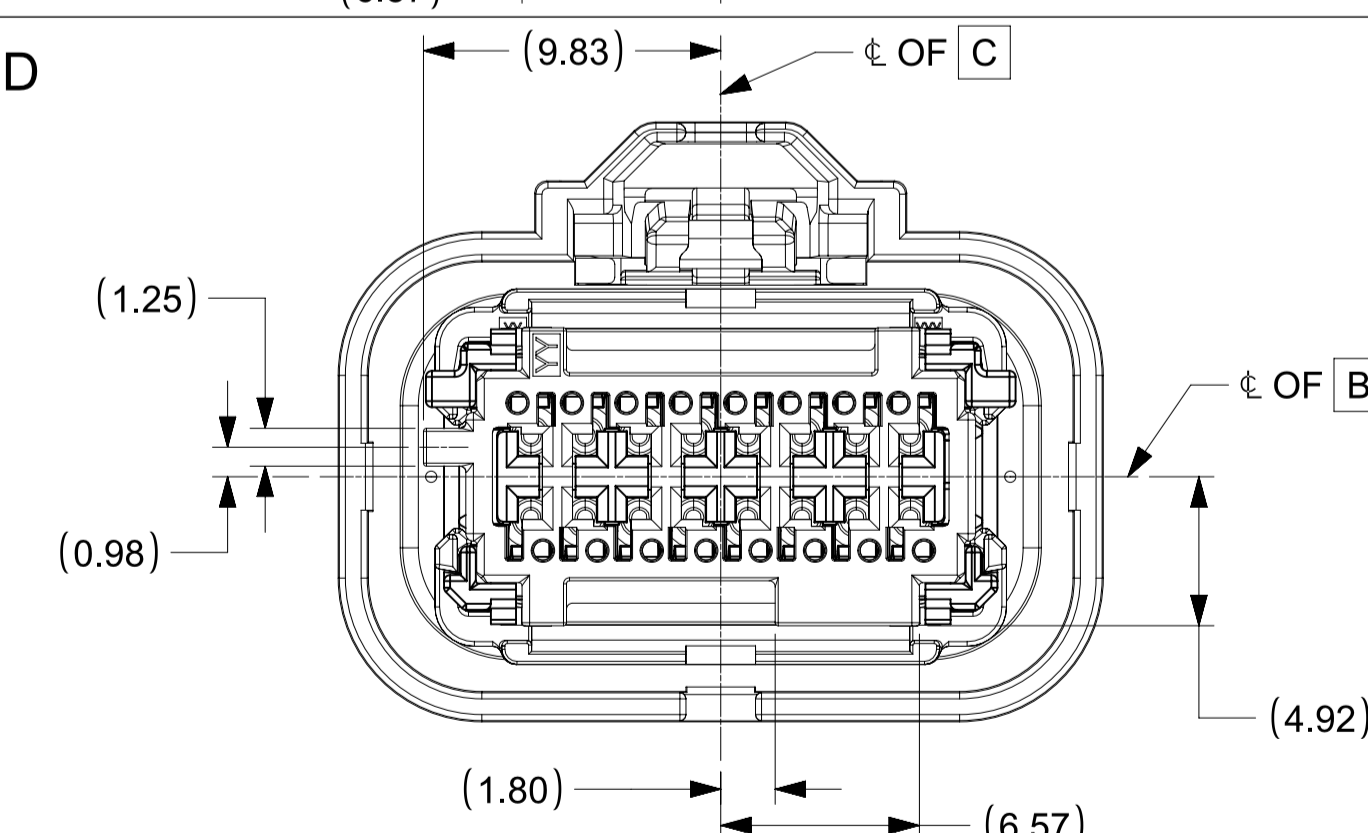
KEY C



KEY D



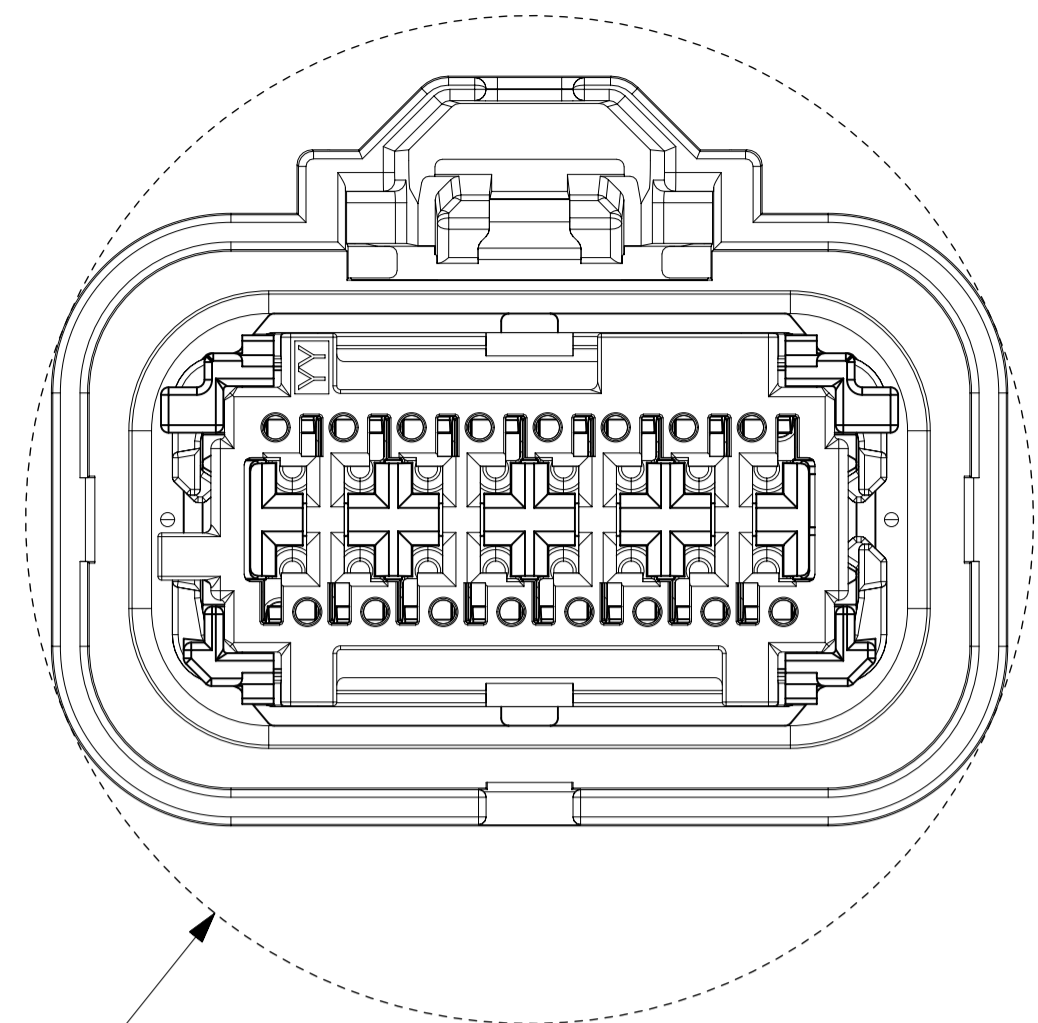
KEY D



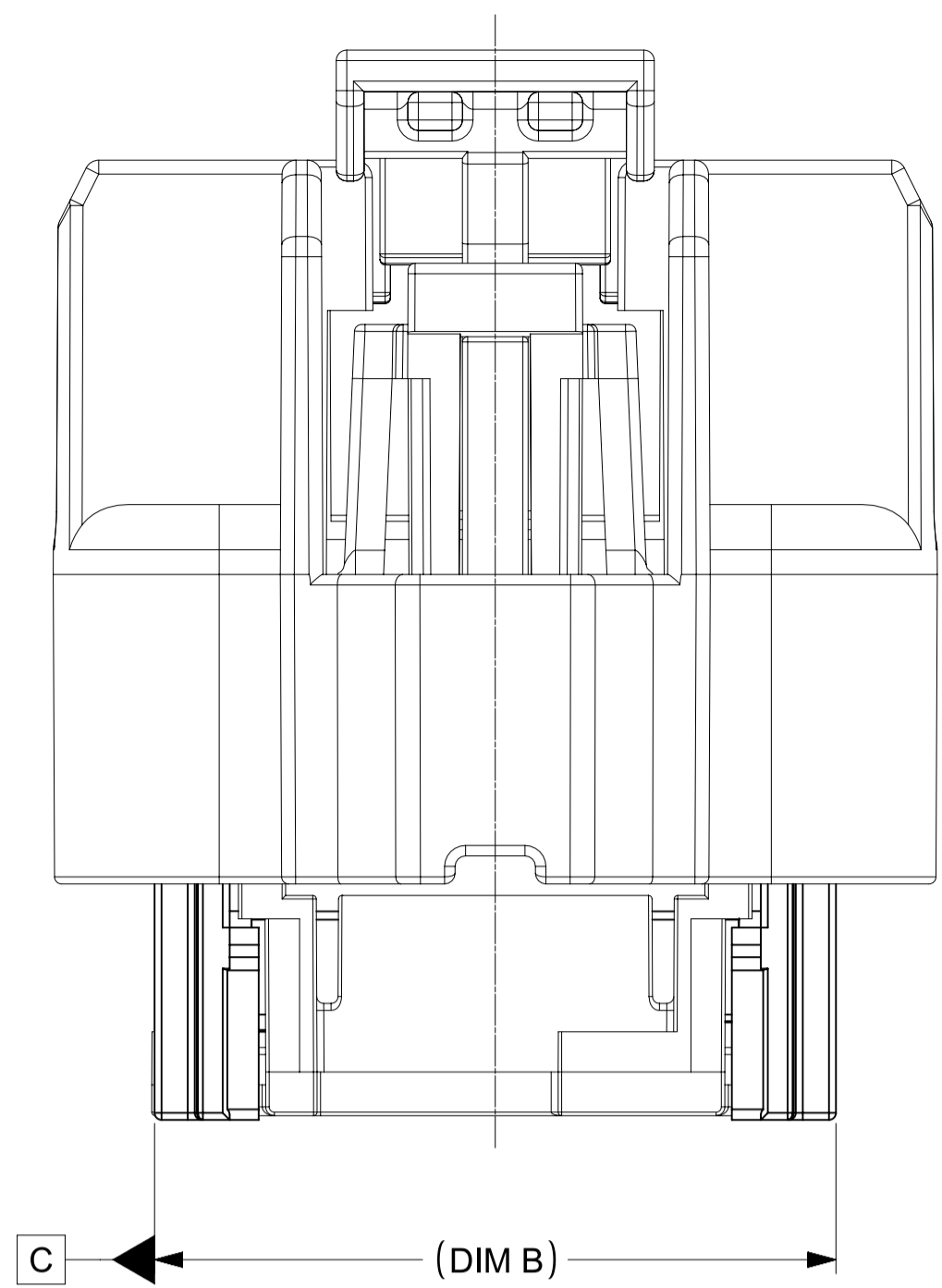
| | | | | | | | |
|---|---|--------------------------------|--|--------------------------------------|---|---|-----------------|
| <p>FUNCTIONAL SYMBOLS</p> <p>$\frac{E}{A} = 0$</p> <p>$\frac{E}{C} = 0$</p> <p>$\frac{E}{P} = 0$</p> <p>DIVISIONAL SYMBOLS</p> | <p>THIS DRAWING CONTAINS INFORMATION THAT IS PROPRIETARY TO MOLEX ELECTRONIC TECHNOLOGIES, LLC AND SHOULD NOT BE USED WITHOUT WRITTEN PERMISSION</p> | | <p>CURRENT REV DESC: UPDATED 2X4 INTERFACE MODEL NUMBERS</p> | | <p>molex</p> <p>MINI50 SEALED RECEPTACLE ASSEMBLY DUAL ROW</p> | | |
| | <p>DIMENSION UNITS</p> <p>mm</p> | <p>SCALE</p> <p>4:1</p> | <p>GENERAL TOLERANCES (UNLESS SPECIFIED)</p> <p>ANGULAR TOL $\pm 0.5^\circ$</p> | | | | |
| | <p>4 PLACES \pm</p> <p>3 PLACES \pm</p> <p>2 PLACES \pm</p> <p>1 PLACE \pm</p> <p>0 PLACES \pm</p> | | <p>DRWN: KBORUSZEWSKI</p> <p>APPR:</p> | | <p>PRODUCT SALES DRAWING</p> | | |
| | <p>DRAFT WHERE APPLICABLE MUST REMAIN WITHIN DIMENSIONS</p> | | <p>THIRD ANGLE PROJECTION</p> | <p>DRAWING</p> <p>A1-SIZE</p> | <p>SERIES</p> <p>34894</p> | <p>MATERIAL NUMBER</p> <p>SEE CHART</p> | <p>CUSTOMER</p> |

SHEET DESCRIPTION
RECEPTACLE CONNECTOR ASSEMBLY

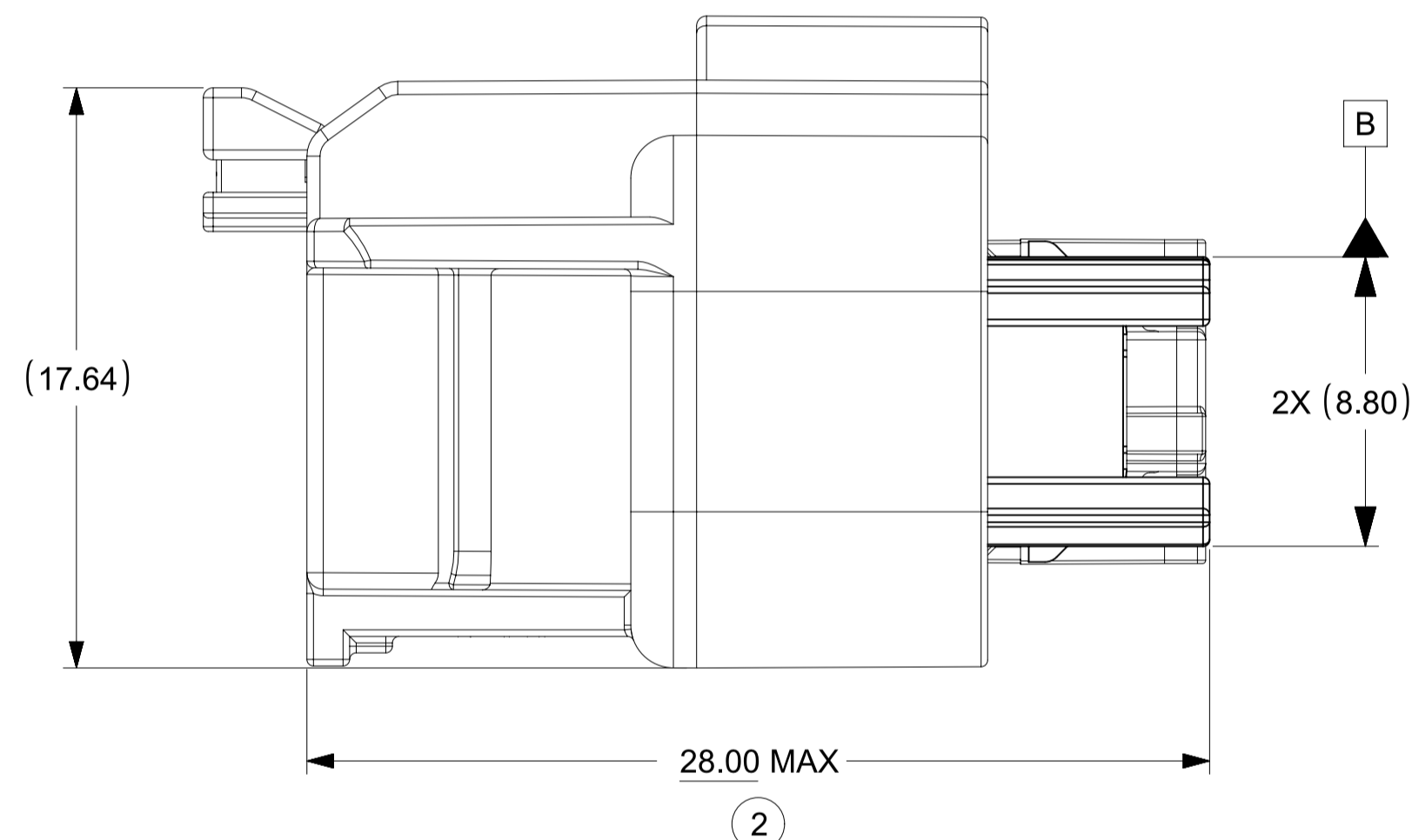
| DESCRIPTION | CHARTED DIMENSION DIMENSIONS | | | | |
|-------------|------------------------------|-------|------|-------|-------|
| | A | B | C | D | E |
| 2X4 | 22.82 | 12.30 | 2.70 | 9.40 | 18.10 |
| 2X8 | 27.66 | 19.50 | 6.30 | 13.00 | 25.30 |



①
Ø DIM A
MIN. PASS-THRU



C ← (DIM B) →



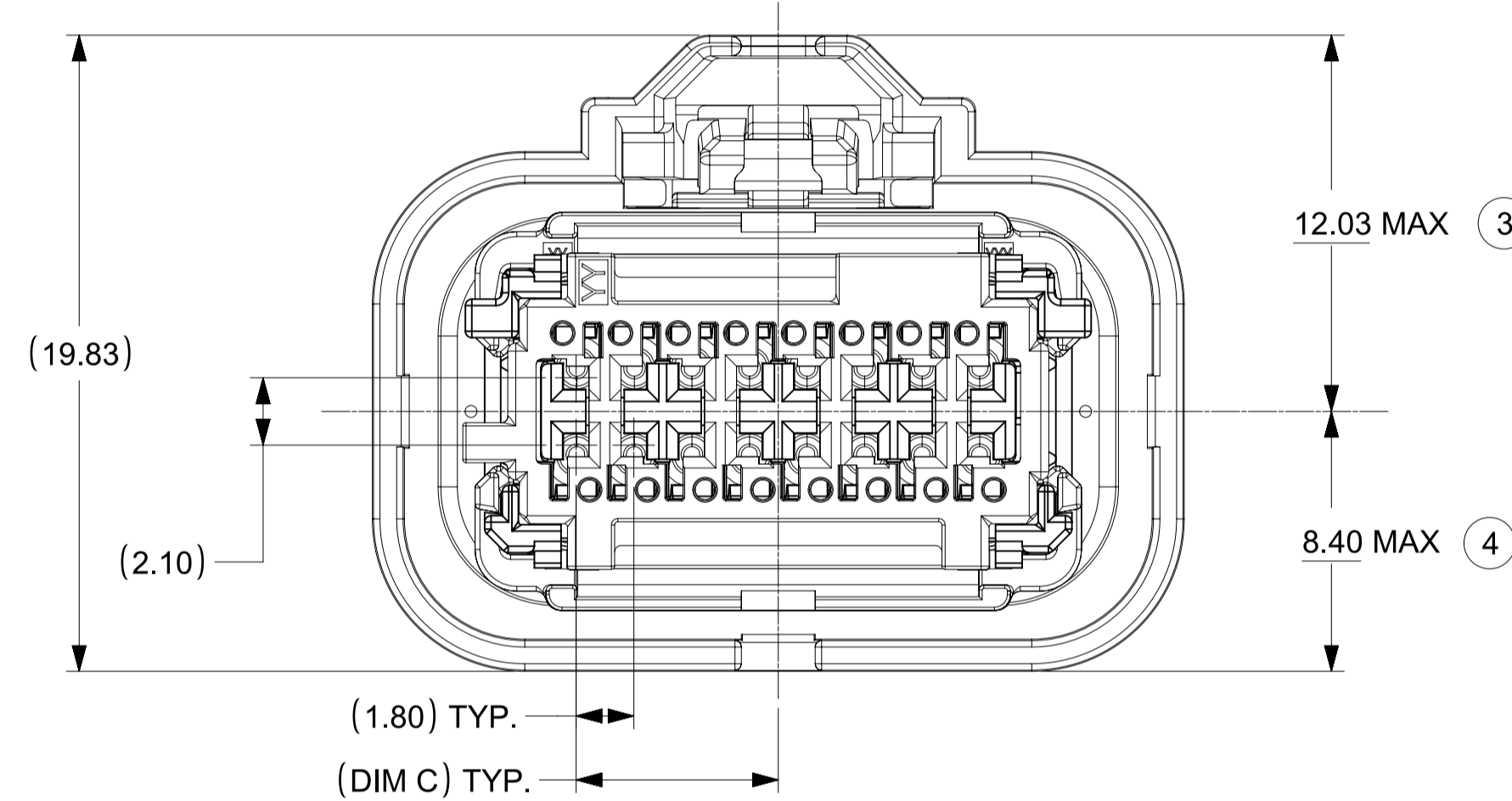
(17.64)

B

2X (8.80)

28.00 MAX

②



(19.83)

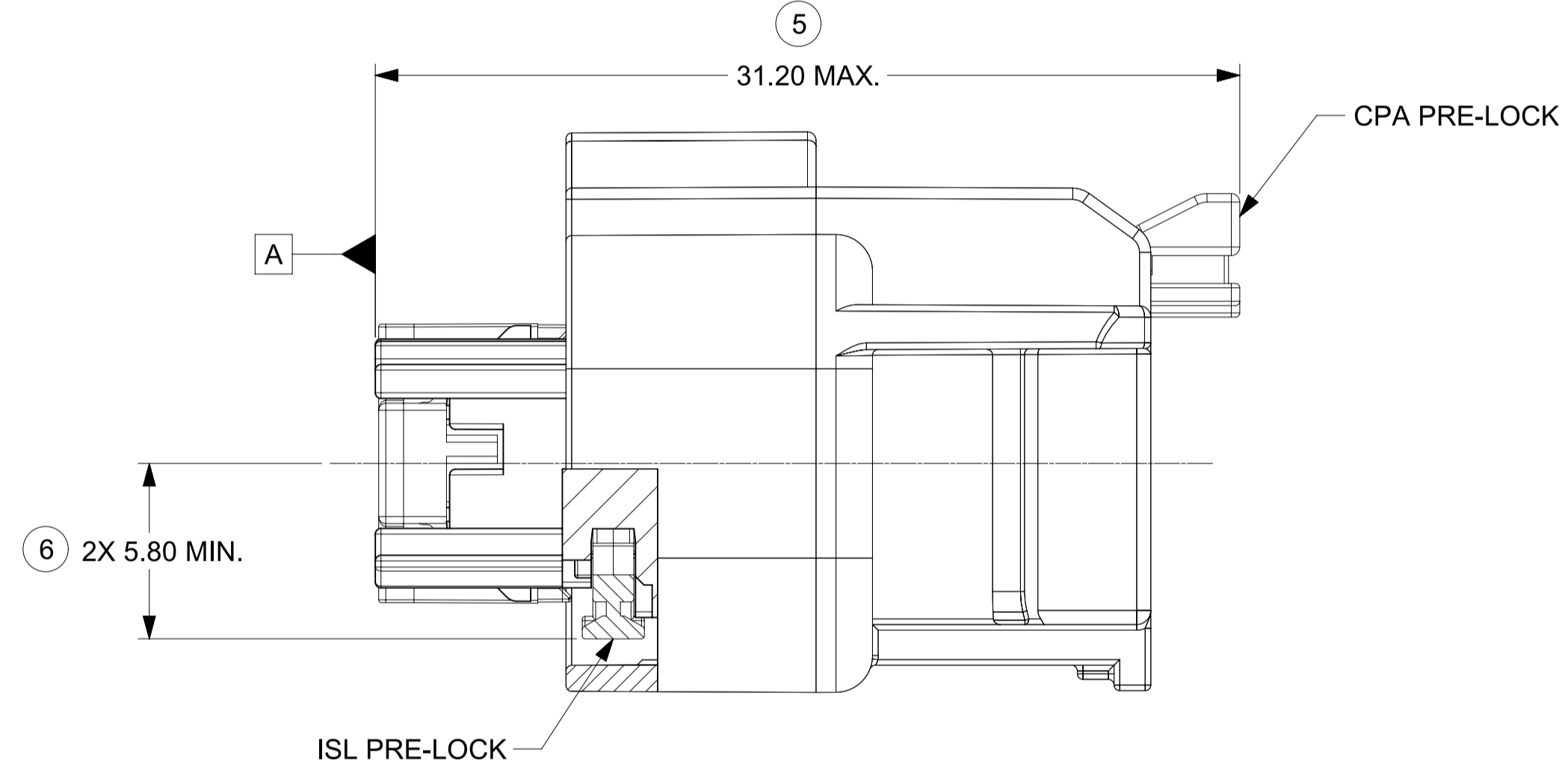
12.03 MAX ③

(2.10)

8.40 MAX ④

(1.80) TYP.

(DIM C) TYP.



⑤

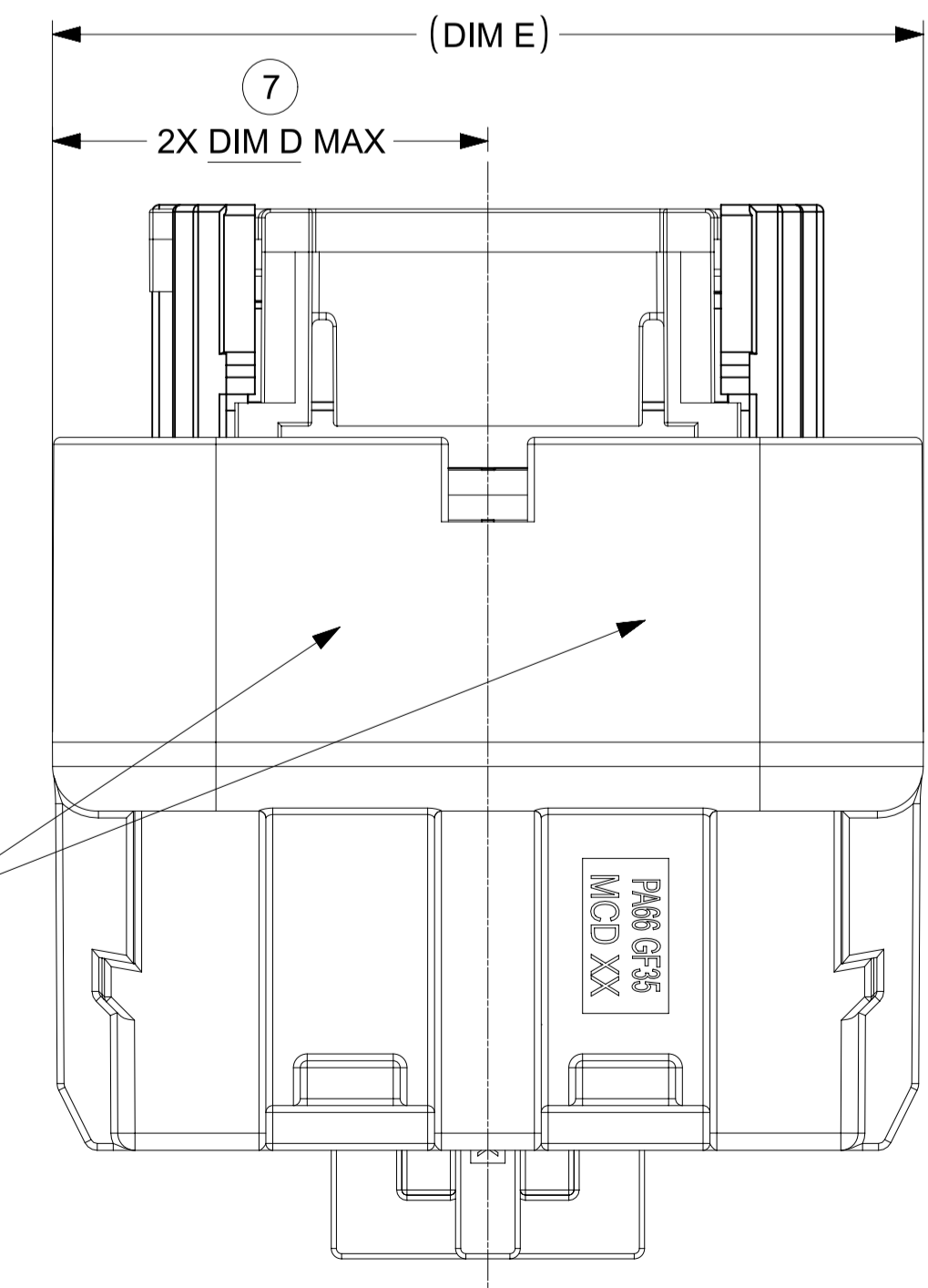
31.20 MAX.

CPA PRE-LOCK

A

⑥ 2X 5.80 MIN.

ISL PRE-LOCK



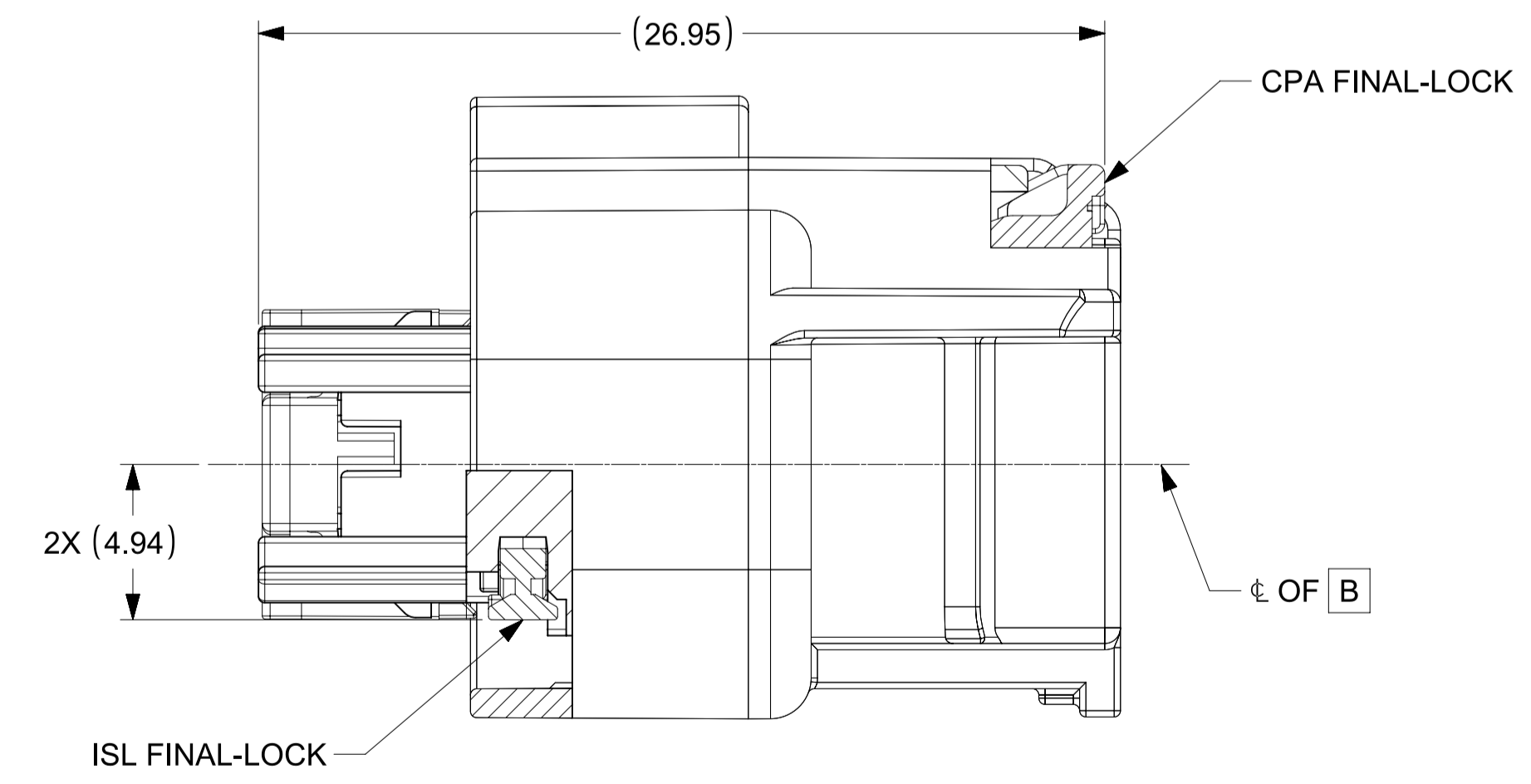
(DIM E)

⑦

2X DIM D MAX

LASER MARKING:
PART # & DATE CODE
SEE NOTE 3g.

PH08 0830
MCD 00X



(26.95)

CPA FINAL-LOCK

2X (4.94)

t OF B

ISL FINAL-LOCK

| | | | | |
|--|---|--------------------------|---|-----------------|
| FUNCTIONAL SYMBOLS | THIS DRAWING CONTAINS INFORMATION THAT IS PROPRIETARY TO MOLEX ELECTRONIC TECHNOLOGIES, LLC AND SHOULD NOT BE USED WITHOUT WRITTEN PERMISSION | | CURRENT REV DESC: UPDATED 2X4 INTERFACE MODEL NUMBERS | |
| | FA = 0 | mm | SCALE | 5:1 |
| DIVISIONAL SYMBOLS | GENERAL TOLERANCES (UNLESS SPECIFIED) | | PHASE: Design Production | |
| | FC = 0 | ANGULAR TOL ± 0.5° | CO NO: CO-000001789 | 2022-11-29 |
| DIVISIONAL SYMBOLS | 4 PLACES ± | DRWN: Michael Li | 2022-12-02 | 2022-12-15 |
| | 3 PLACES ± | CHK'D: Michael Li | 2022-12-02 | 2022-12-15 |
| | 2 PLACES ± | APPR: Mike Vanslambrouck | 2022-12-15 | |
| | 1 PLACE ± | INITIAL REVISION: | | |
| | 0 PLACES ± | DRWN: KBORUSZEWSKI | | |
| | | APPR: | | |
| DRAFT WHERE APPLICABLE MUST REMAIN WITHIN DIMENSIONS | THIRD ANGLE PROJECTION | DRAWING | SERIES | MATERIAL NUMBER |
| | | A1-SIZE | 34894 | SEE CHART |
| | | | | CUSTOMER |
| | | | | SHEET NUMBER |
| | | | | 3 OF 3 |

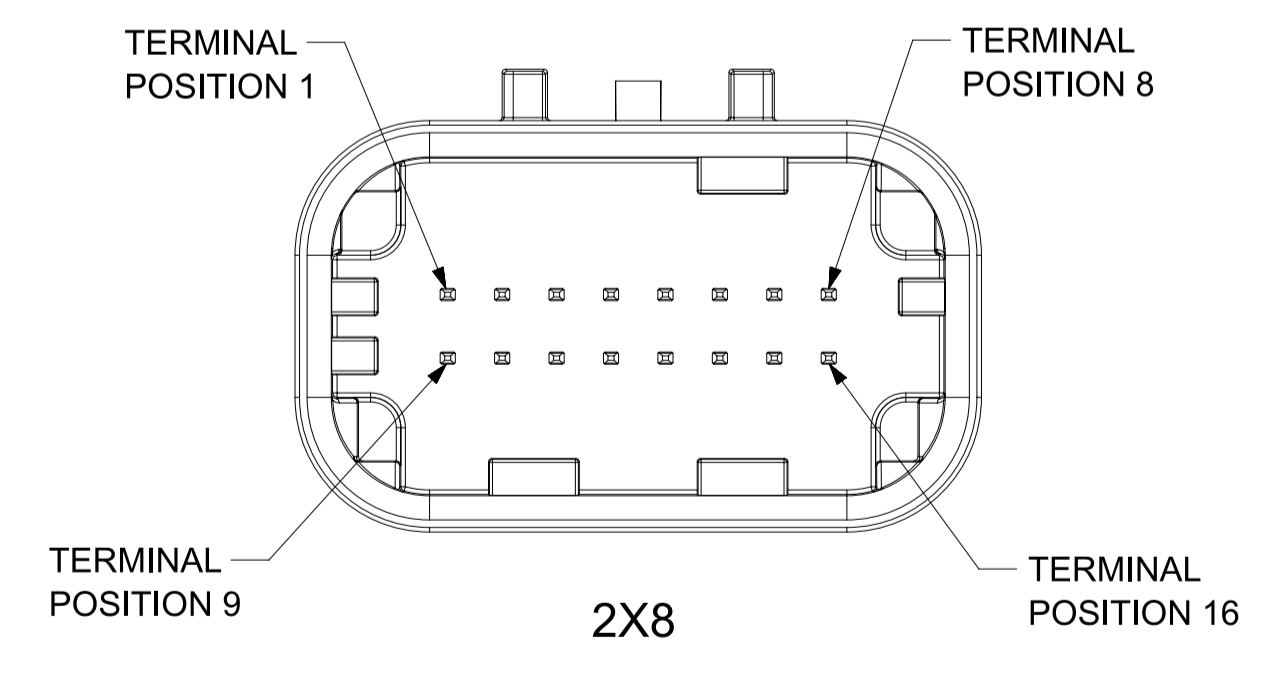
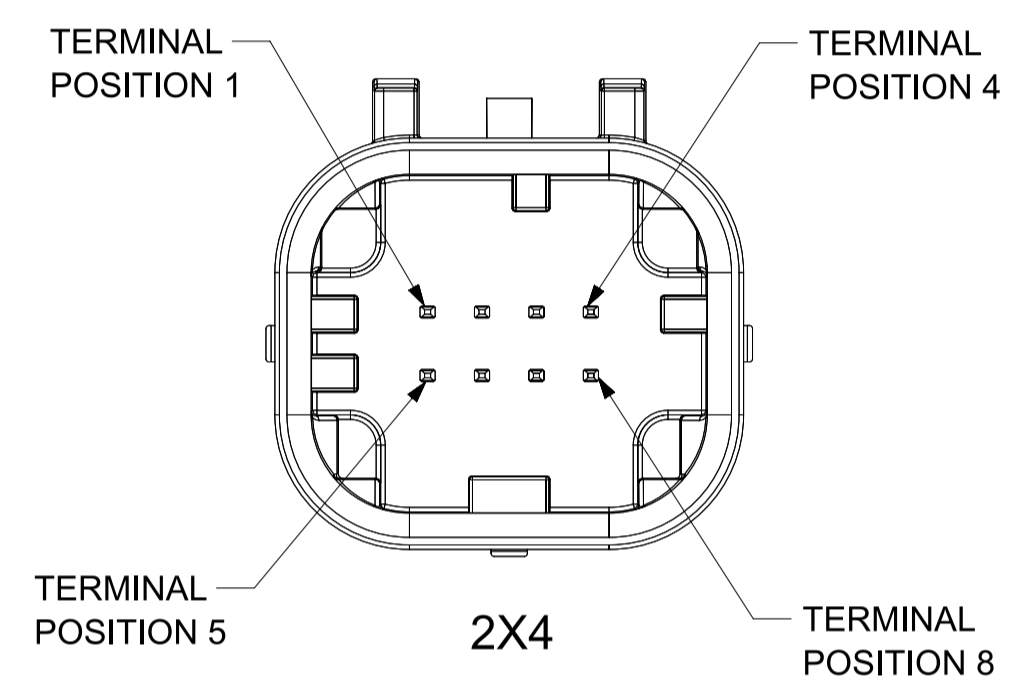
molex

MINI50 SEALED RECEPTACLE ASSEMBLY
DUAL ROW

PRODUCT SALES DRAWING

| | | | |
|-----------------|----------|----------|----------|
| DOCUMENT NUMBER | DOC TYPE | DOC PART | REVISION |
| 348940001 | PSD | 000 | A6 |

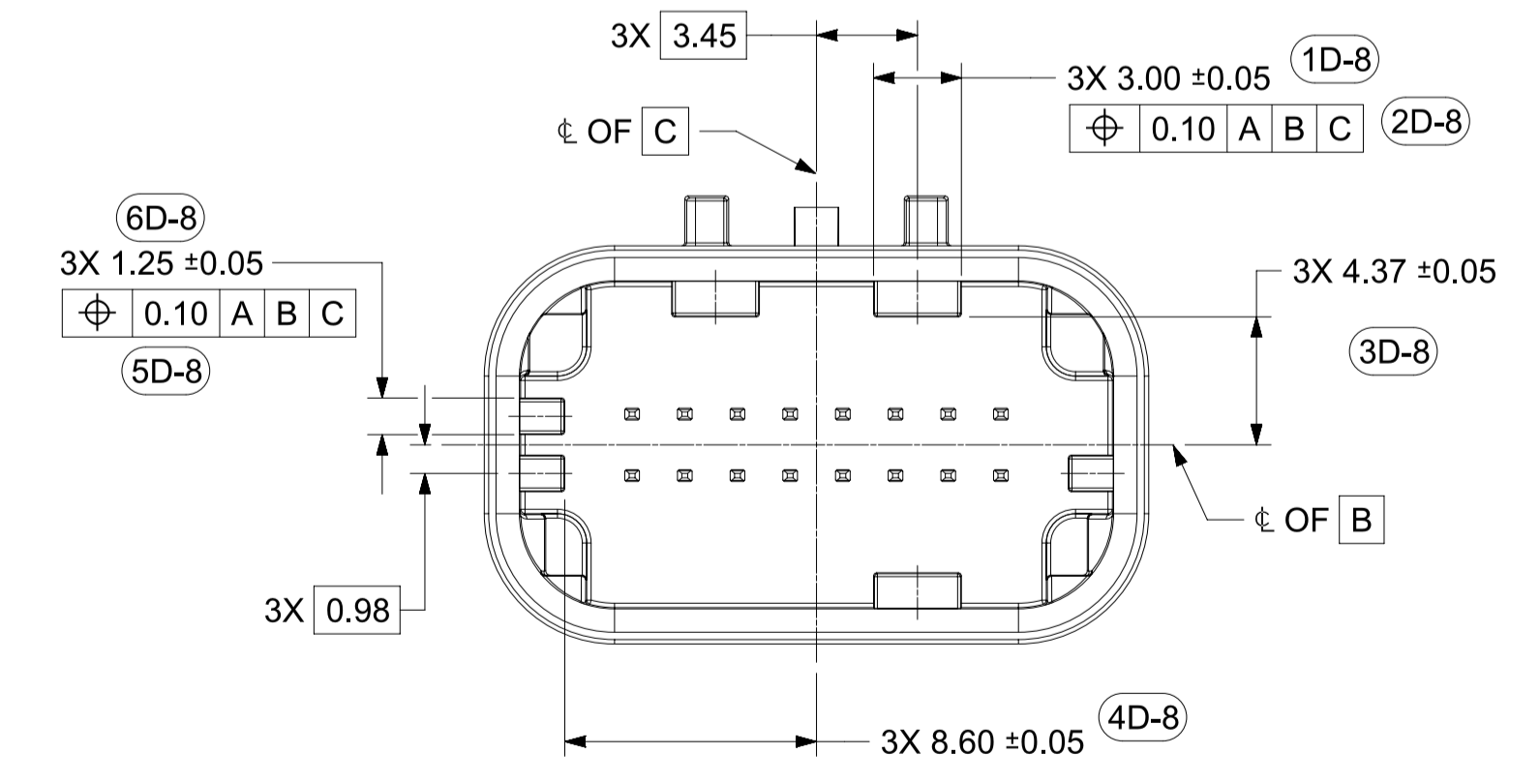
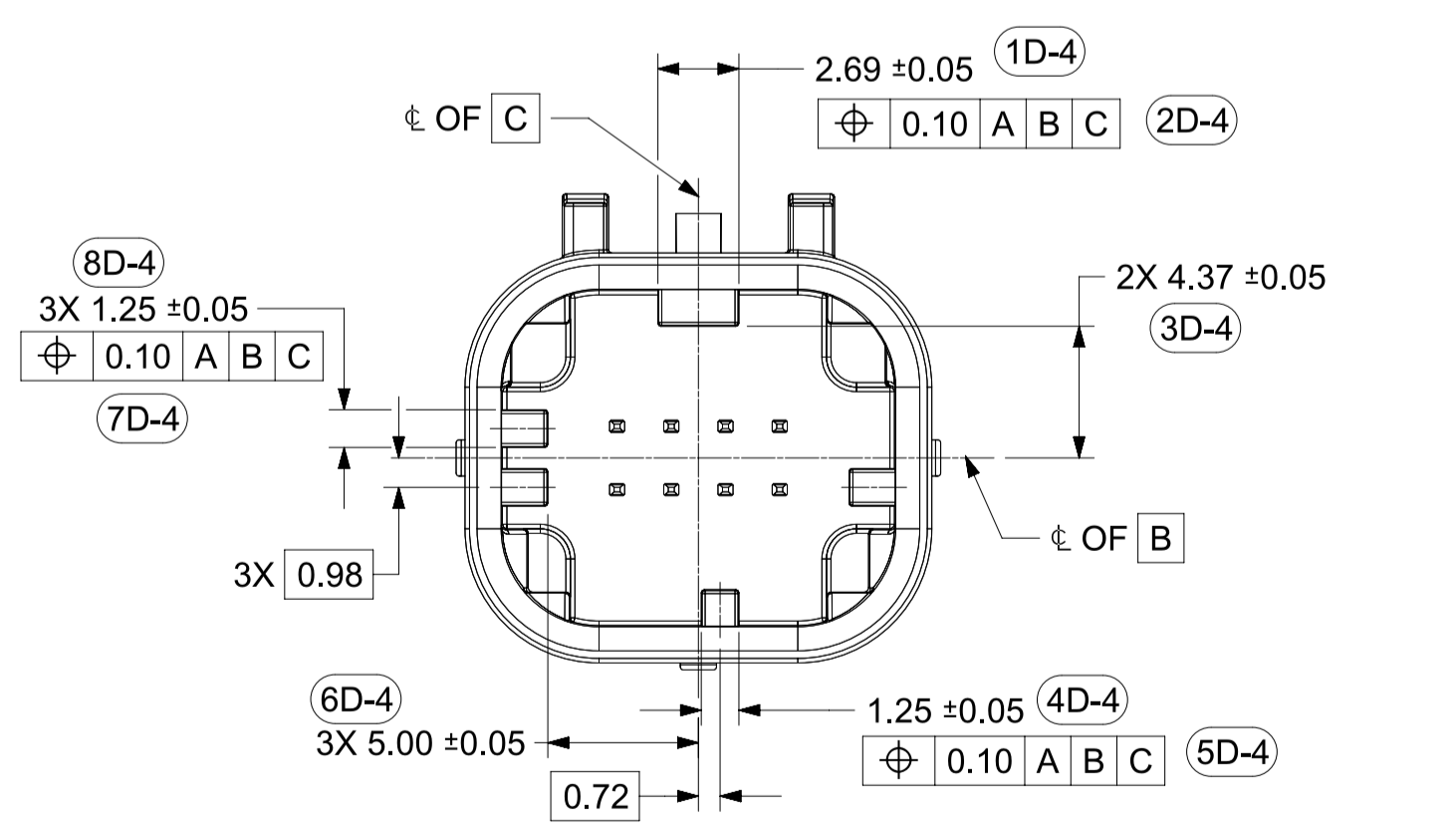
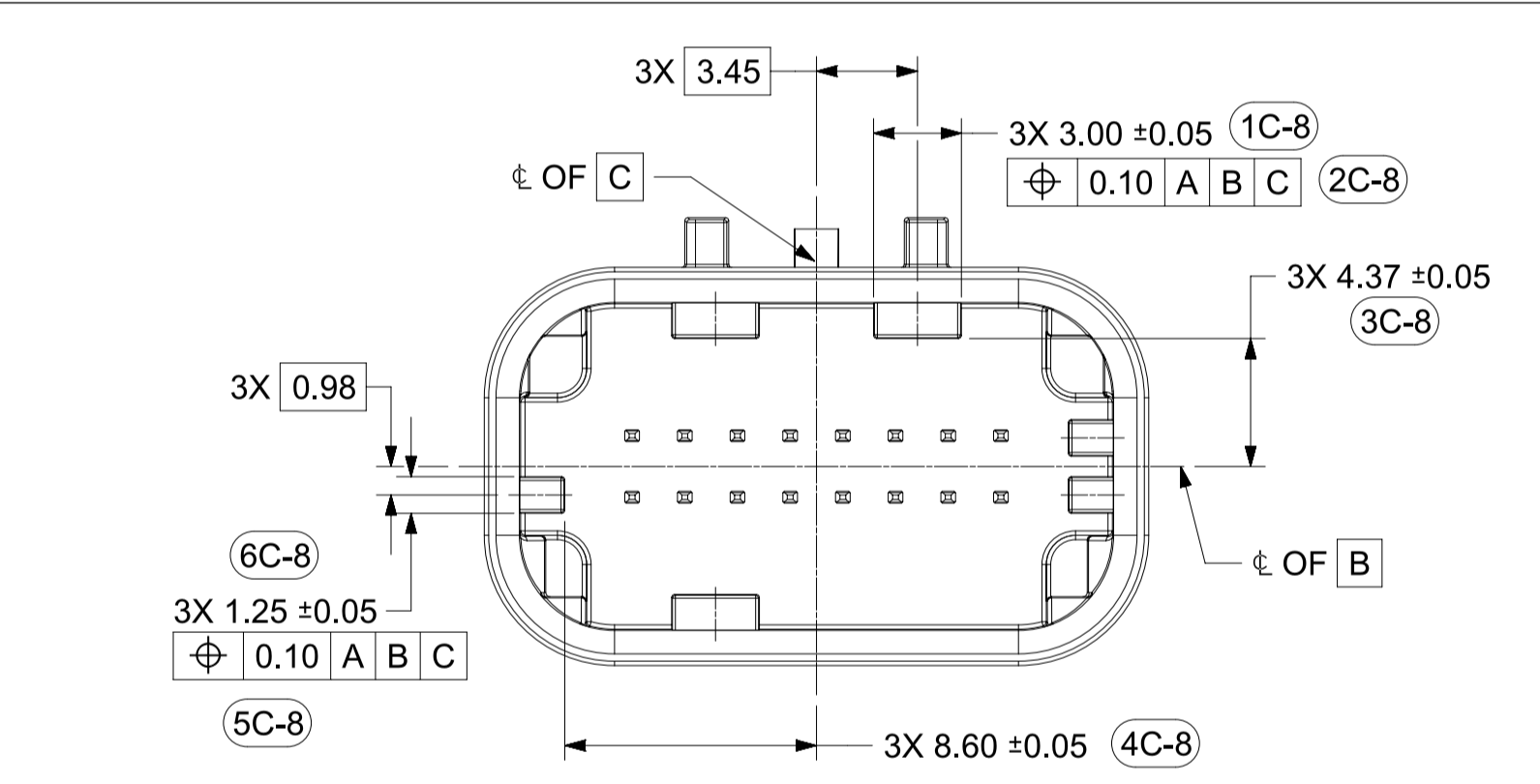
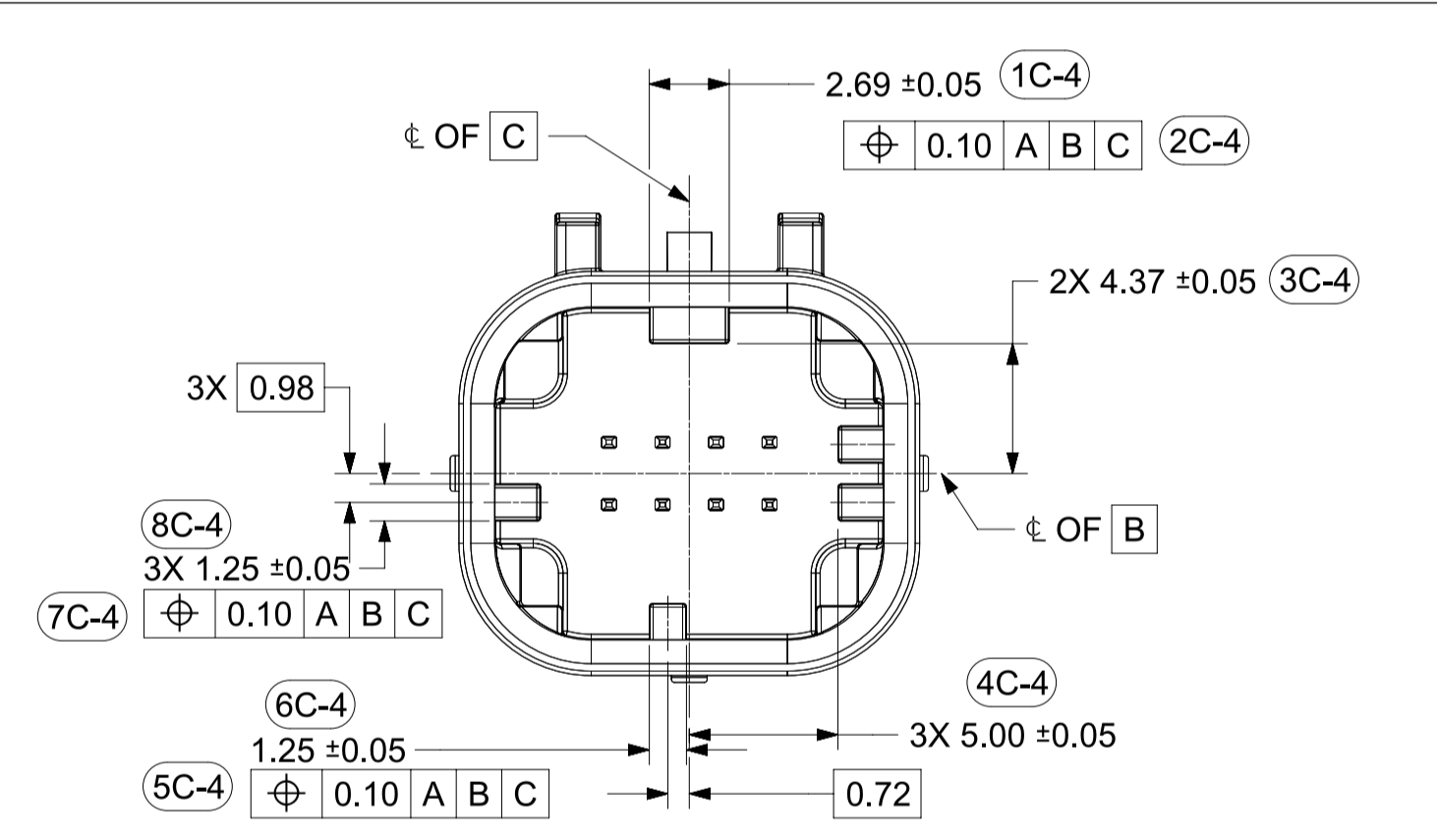
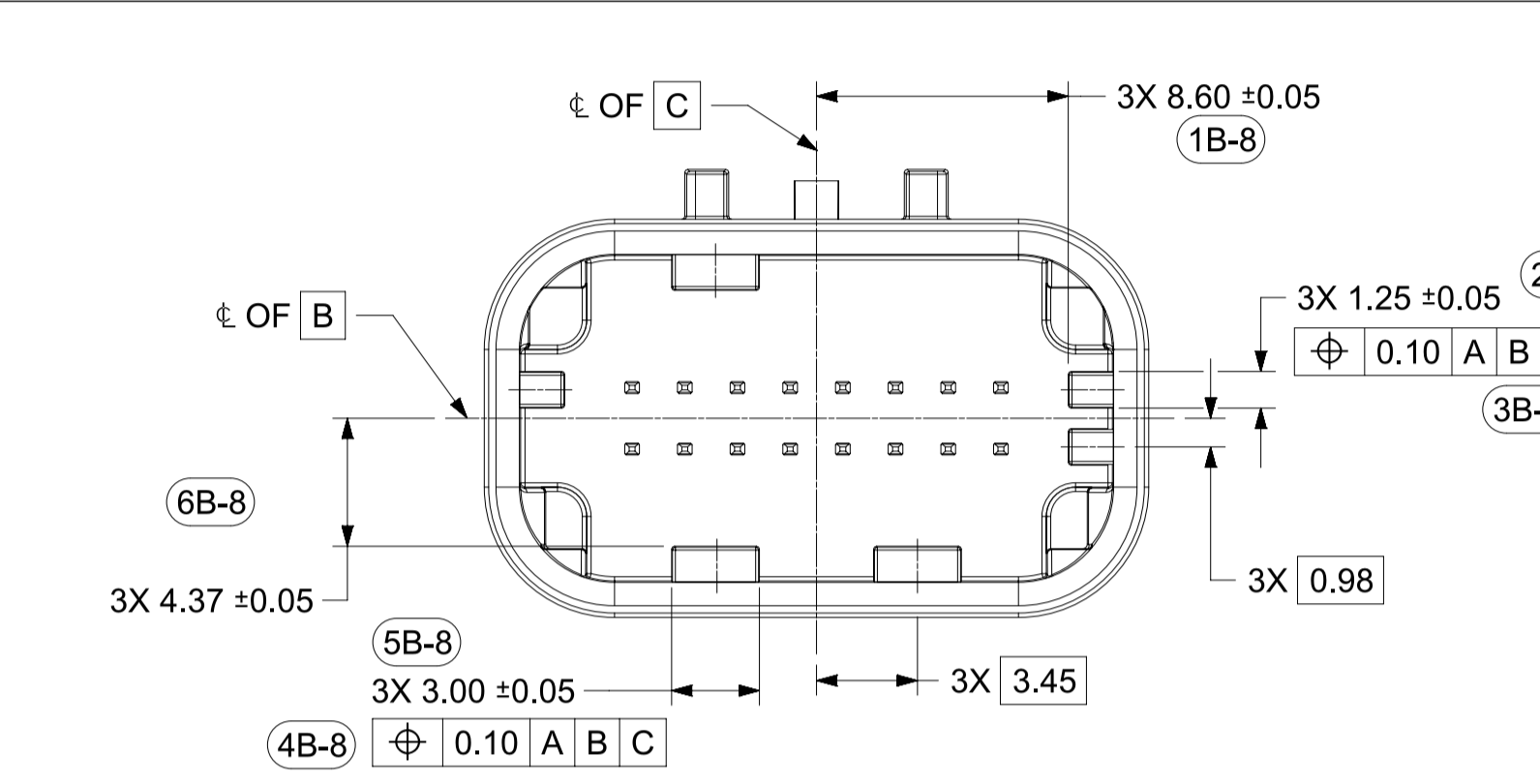
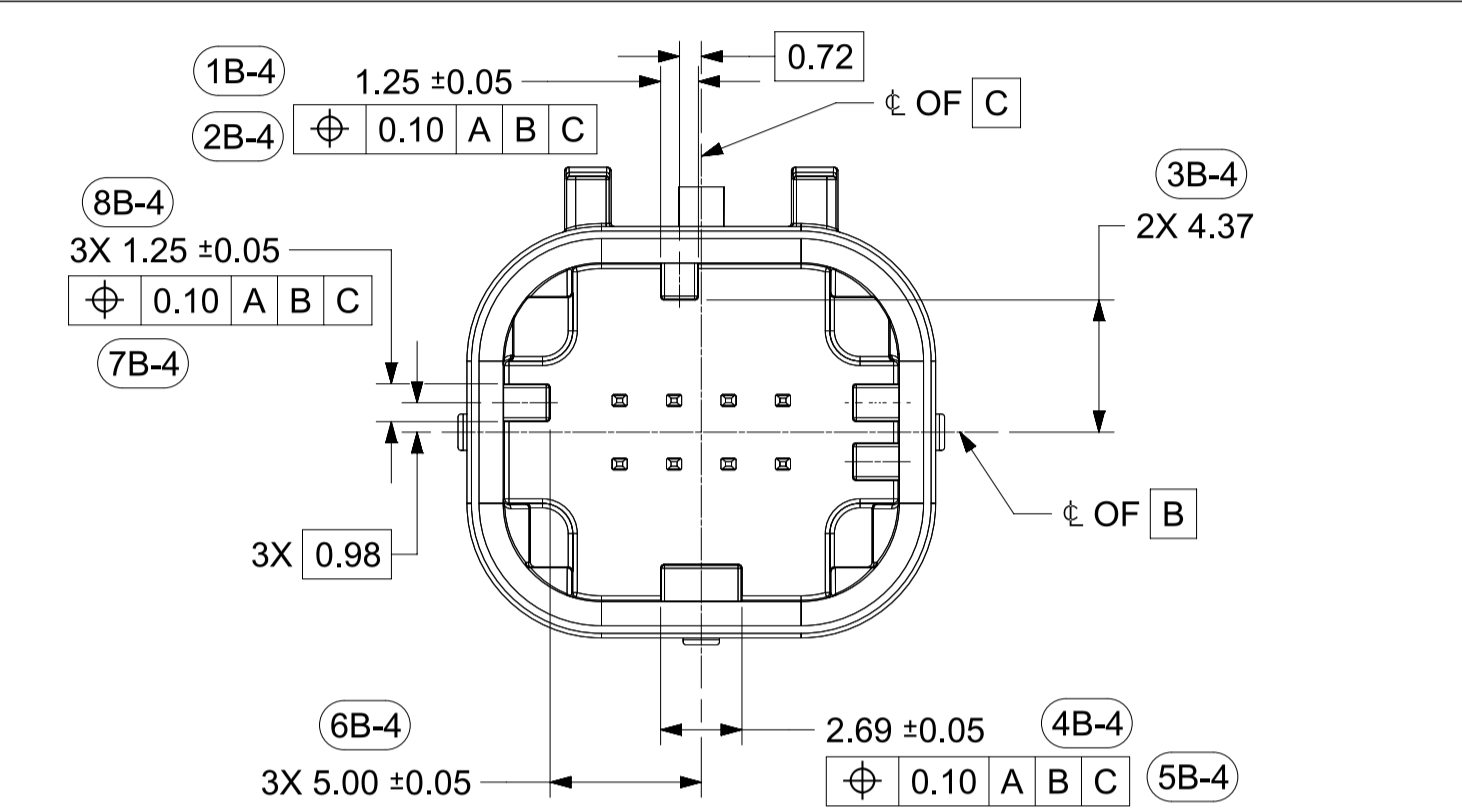
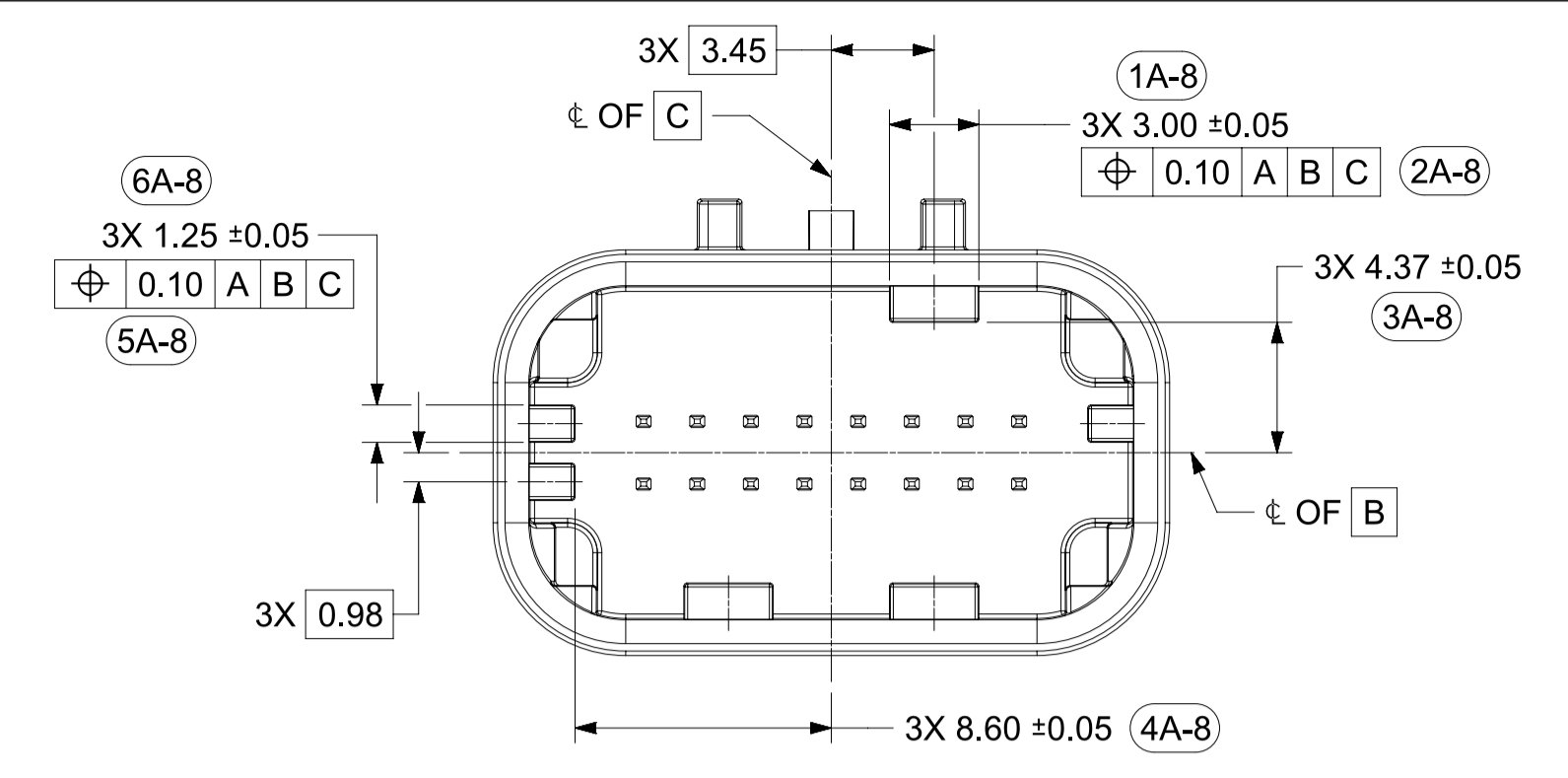
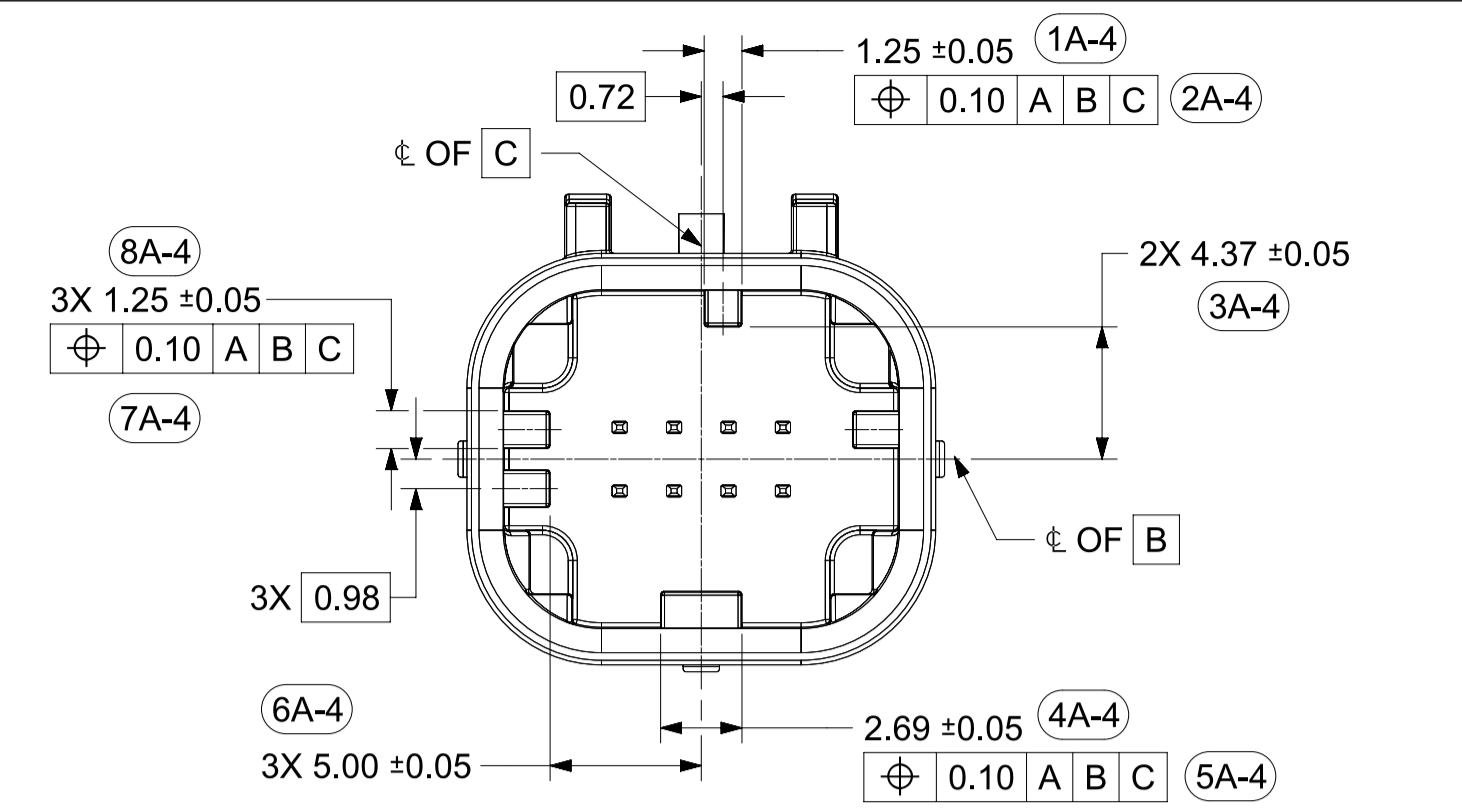
| |
|-------------------------|
| SHEET DESCRIPTION |
| TERMINAL CONFIGURATIONS |



| | | | |
|--------------------|---|------------------------|--|
| FUNCTIONAL SYMBOLS | THIS DRAWING CONTAINS INFORMATION THAT IS PROPRIETARY TO MOLEX ELECTRONIC TECHNOLOGIES, LLC AND SHOULD NOT BE USED WITHOUT WRITTEN PERMISSION | | |
| | DIMENSION UNITS | SCALE | CURRENT REV DESC: Added Interference Ribs to 2X4 |
| $\frac{F}{A} = 0$ | mm | 4:1 | molex MINI50 SEALED DUAL ROW HEADER INTERFACE PRODUCT SALES DRAWING |
| $\frac{F}{C} = 0$ | GENERAL TOLERANCES (UNLESS SPECIFIED) | | |
| $\frac{F}{P} = 0$ | ANGULAR TOL ± 3.0° | | |
| DIVISIONAL SYMBOLS | 4 PLACES | ± | |
| | 3 PLACES | ± | |
| | 2 PLACES | ± 0.100 | |
| | 1 PLACE | ± 0.20 | |
| | 0 PLACES | ± | |
| | DRAFT WHERE APPLICABLE MUST REMAIN WITHIN DIMENSIONS | THIRD ANGLE PROJECTION | PHASE: Design Production CO NO: CO-000001789 DRWN: Michael Li CHK'D: Michael Li APPR: Mike Vanslambrouck INITIAL REVISION: DRWN: MLI149 APPR: |
| | | DRAWING | 2022-11-23 2022-12-02 2022-12-15 |
| | | SERIES | DOCUMENT NUMBER 348950800 DOC TYPE PSD DOC PART 000 REVISION B |
| | | MATERIAL NUMBER | CUSTOMER SEE CHART |
| | | SHEET NUMBER | SHEET NUMBER 2 OF 6 |

2X4

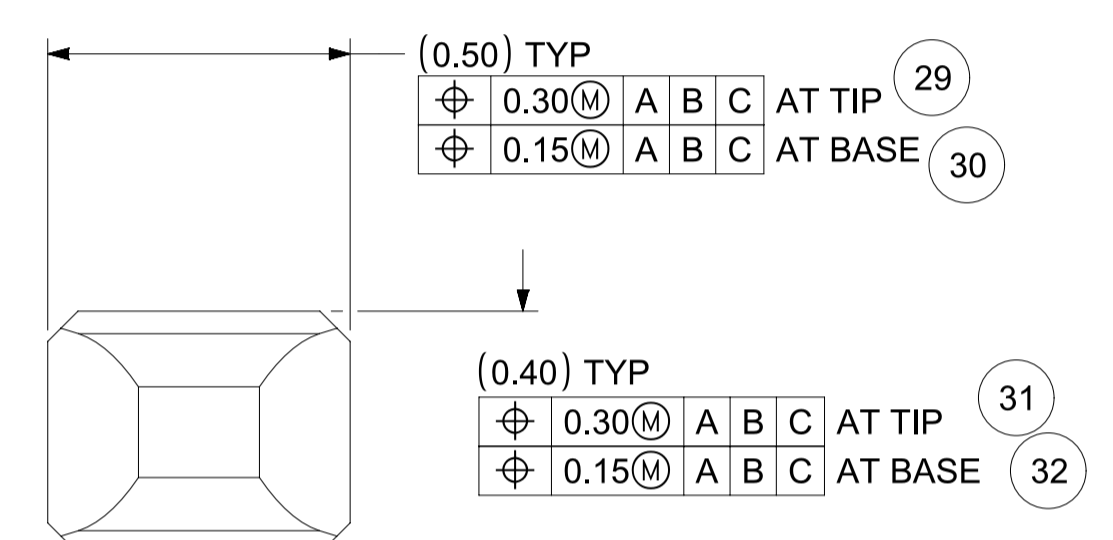
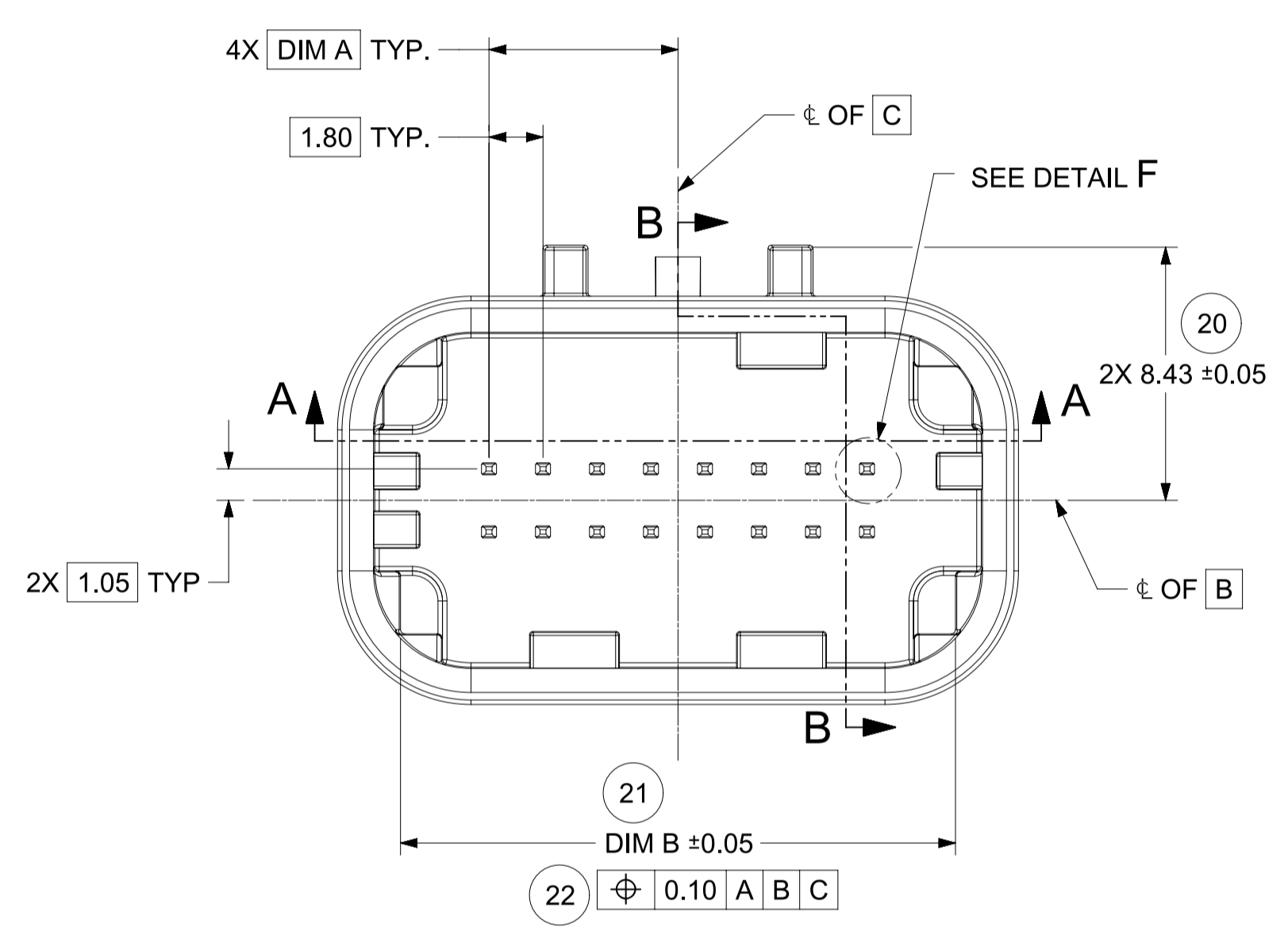
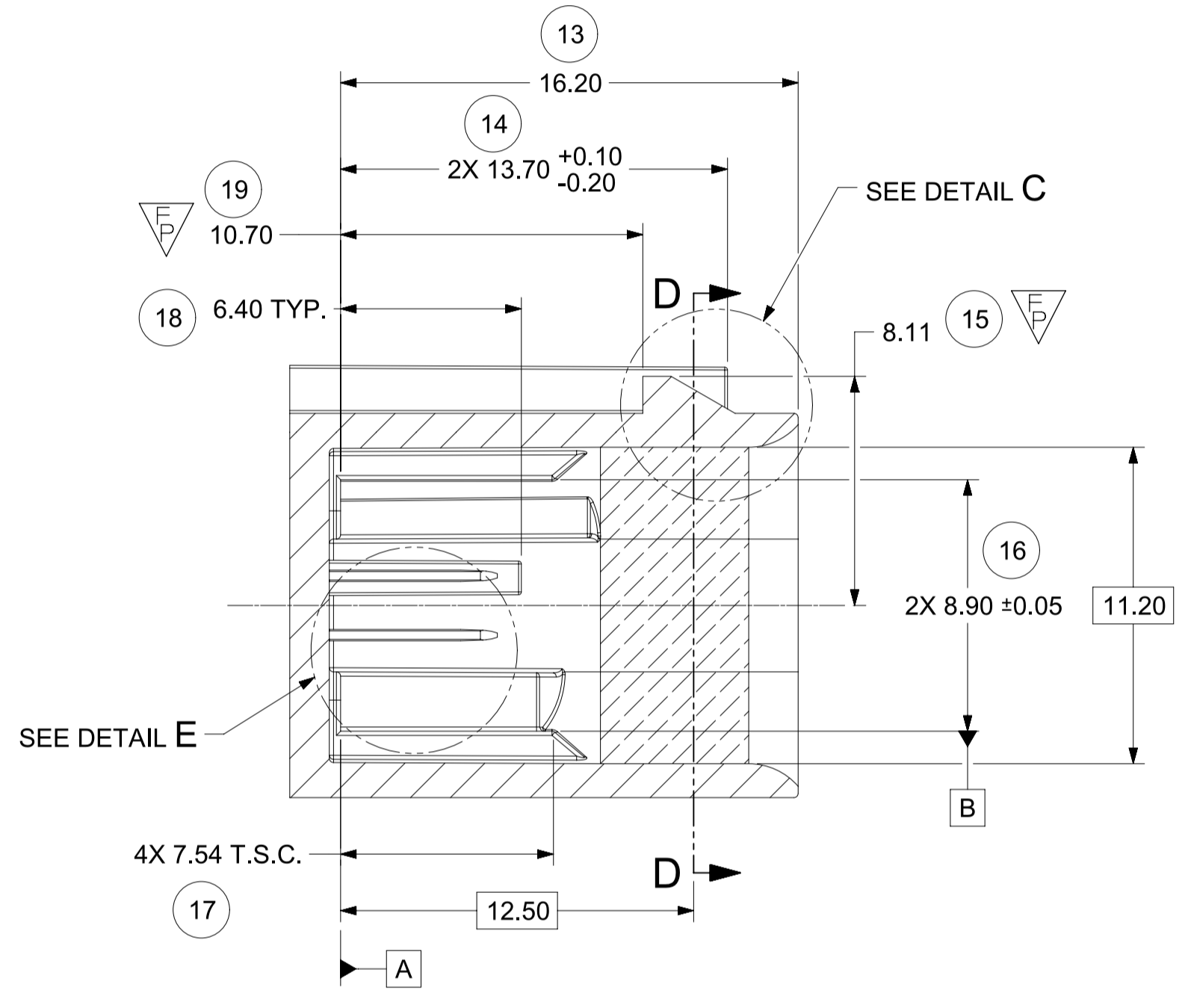
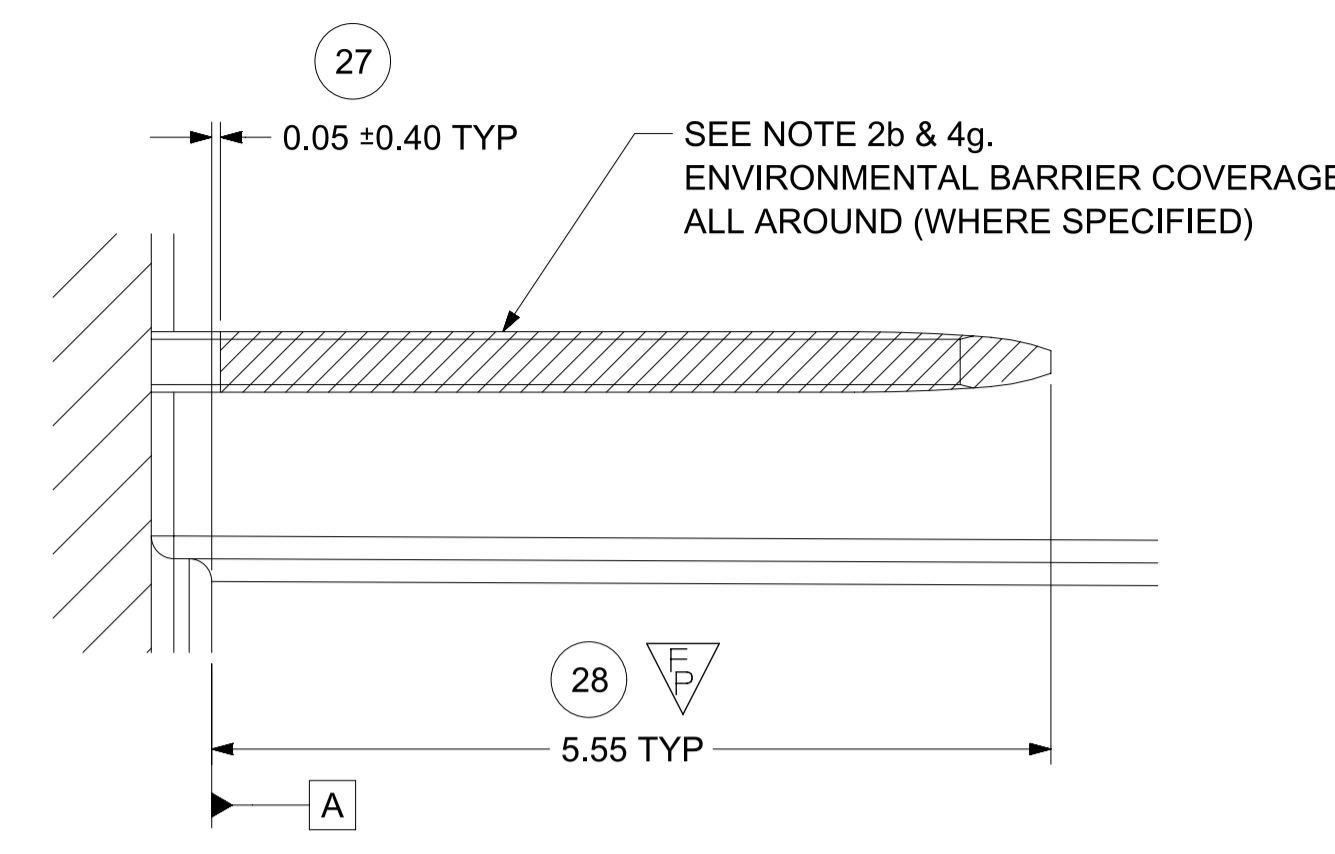
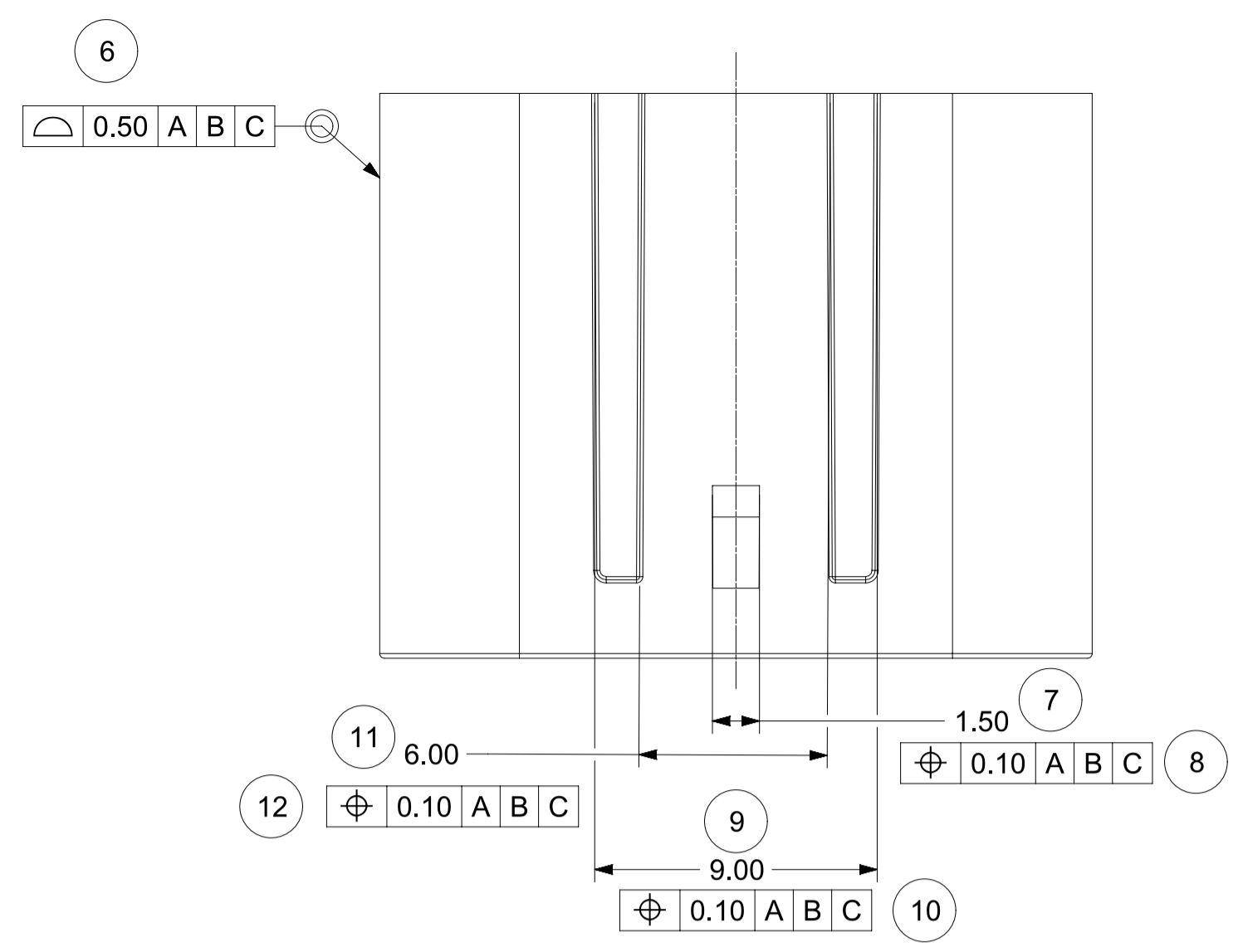
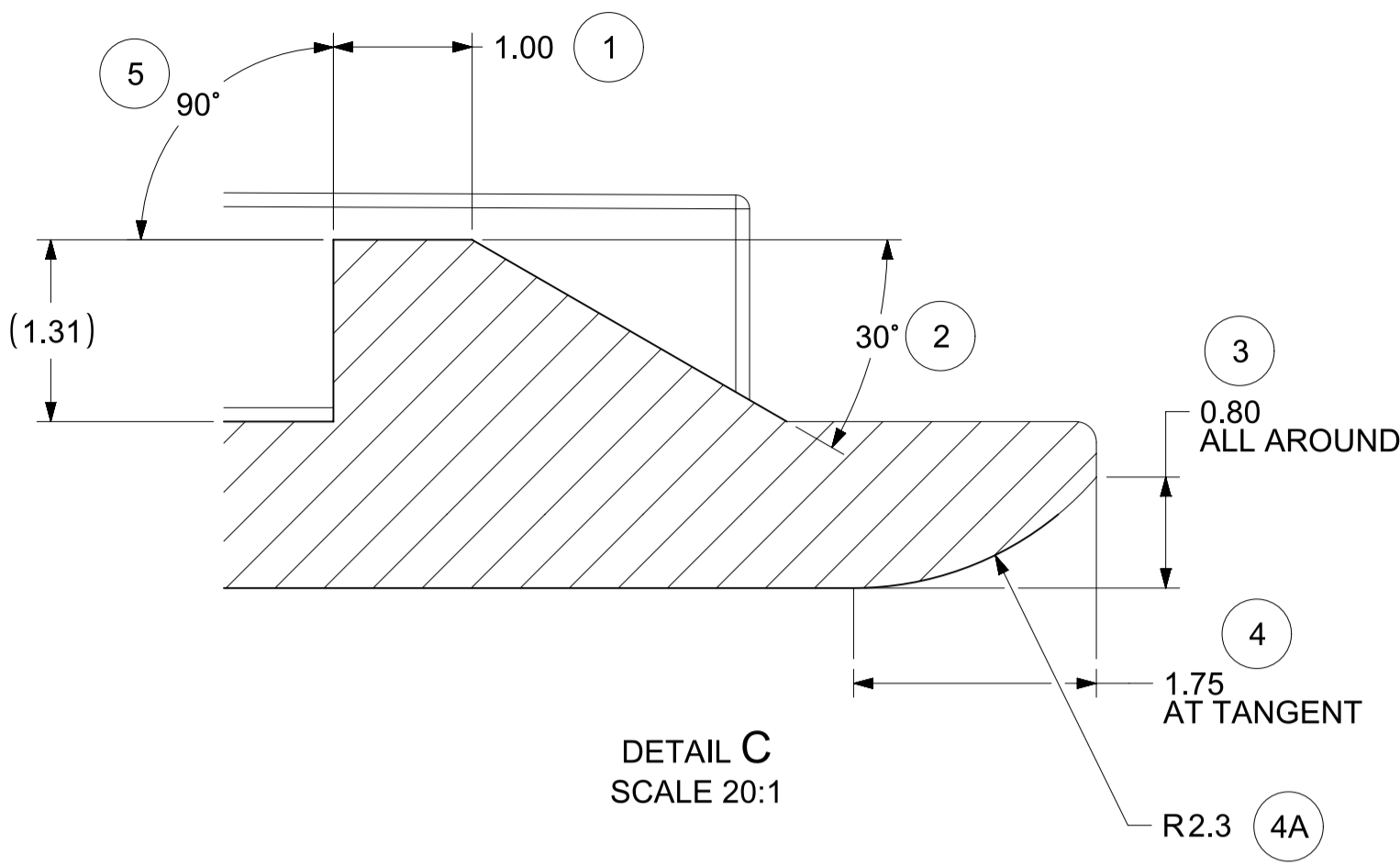
2X8



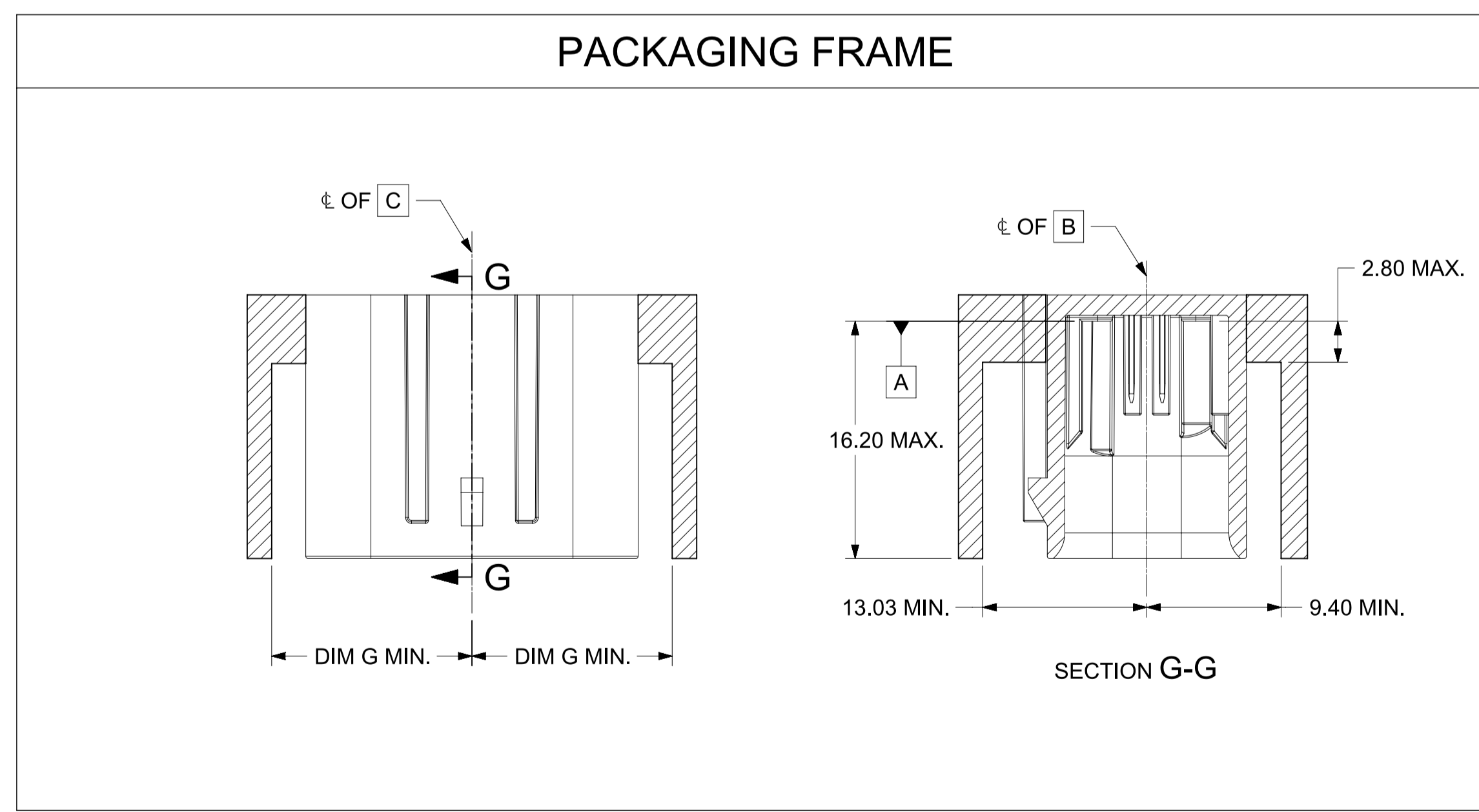
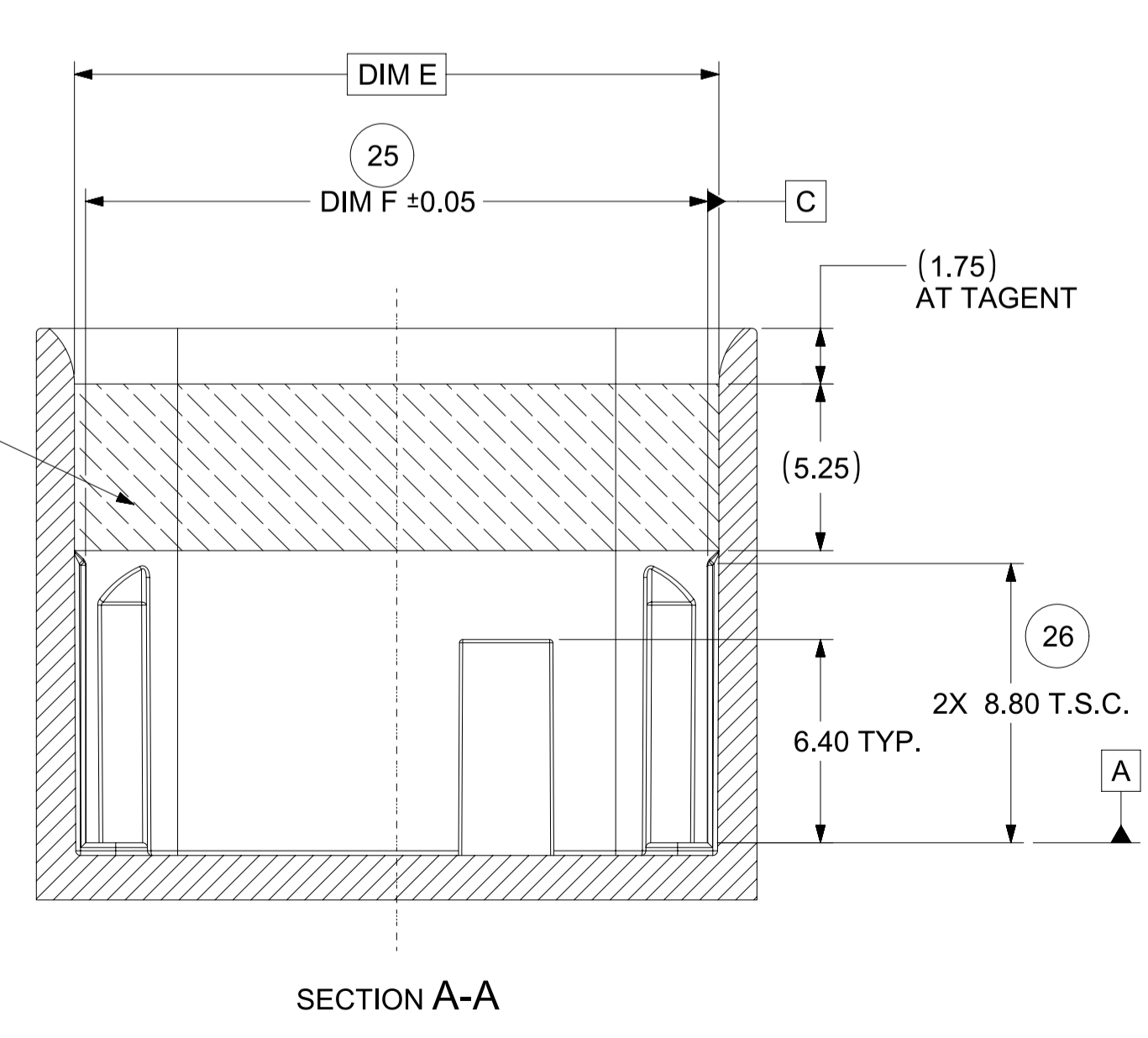
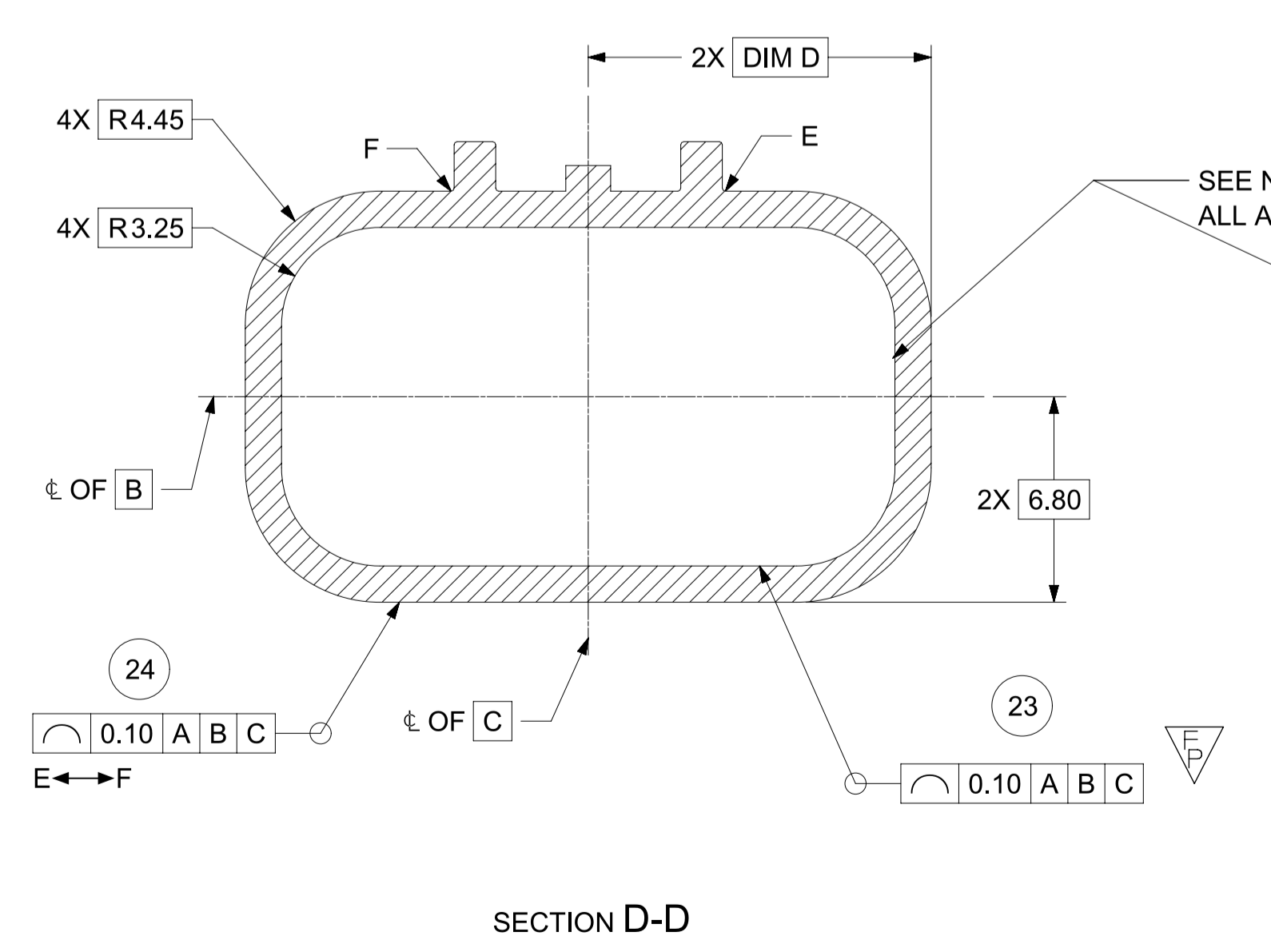
| | | | | | |
|--|---|----------------------------|--|--------|--------------|
| FUNCTIONAL SYMBOLS $\frac{F}{A} = 0$ $\frac{F}{C} = 0$ $\frac{F}{P} = 0$ | THIS DRAWING CONTAINS INFORMATION THAT IS PROPRIETARY TO MOLEX ELECTRONIC TECHNOLOGIES, LLC AND SHOULD NOT BE USED WITHOUT WRITTEN PERMISSION | | CURRENT REV DESC: Added Interference Ribs to 2X4 | | |
| | DIMENSION UNITS | SCALE | molex MINI50 SEALED DUAL ROW HEADER INTERFACE | | |
| | mm | 4:1 | PHASE: Design Production CO NO: CO-000001789 DRWN: Michael Li CHK'D: Michael Li APPR: Mike Vanslambrouck | | |
| | GENERAL TOLERANCES (UNLESS SPECIFIED) | | 2022-11-23 2022-12-02 2022-12-15 | | |
| DIVISIONAL SYMBOLS | ANGULAR TOL | ± 3.0° | PRODUCT SALES DRAWING | | |
| | 4 PLACES | ± | DOCUMENT NUMBER: 348950800 | | |
| | 3 PLACES | ± | DOC TYPE: PSD DOC PART: 000 REVISION: B | | |
| | 2 PLACES | ± 0.100 | SHEET NUMBER: 3 OF 6 | | |
| 1 PLACE | ± 0.20 | MATERIAL NUMBER: SEE CHART | | | |
| 0 PLACES | ± | CUSTOMER: | | | |
| DRAFT WHERE APPLICABLE MUST REMAIN WITHIN DIMENSIONS | | THIRD ANGLE PROJECTION | DRAWING | SERIES | SHEET NUMBER |
| | | | A1-SIZE | 34895 | 3 OF 6 |

SHEET DESCRIPTION
INTERFACE DEFINITION

| DESCRIPTION | CHARTED DIMENSION | | | | | |
|-------------|-------------------|-------|-------|-------|-------|-------|
| | A | B | D | E | F | G |
| 2X4 | 2.70 | 11.30 | 7.75 | 13.10 | 12.40 | 10.40 |
| 2X8 | 6.30 | 18.50 | 11.35 | 20.30 | 19.60 | 14.00 |



SEE NOTE 2b.
REFER TO MOLEX SALES DWG 34750050
AND EWCAP-001 REV.P 050-T001
0.50 TERMINAL BLADE CONFIGURATION



| | | | | | |
|--|---------------------------------------|---|-------------------------------------|--|-----------------|
| FUNCTIONAL SYMBOLS | | THIS DRAWING CONTAINS INFORMATION THAT IS PROPRIETARY TO MOLEX ELECTRONIC TECHNOLOGIES, LLC AND SHOULD NOT BE USED WITHOUT WRITTEN PERMISSION | | CURRENT REV DESC: Added Interference Ribs to 2X4 | |
| $\overline{F_A} = 0$ | mm | SCALE | 5:1 | PHASE: Design Production | |
| $\overline{F_C} = 0$ | GENERAL TOLERANCES (UNLESS SPECIFIED) | | CO NO: CO-000001789 | | |
| $\overline{F_P} = 4$ | ANGULAR TOL ± 3.0° | | DRWN: Michael Li 2022-11-23 | | |
| DIVISIONAL SYMBOLS | | 4 PLACES ± | CHK'D: Michael Li 2022-12-02 | | |
| | | 3 PLACES ± | APPR: Mike Vanslambrouck 2022-12-15 | | |
| | | 2 PLACES ± 0.100 | INITIAL REVISION: | | |
| | | 1 PLACE ± 0.20 | DRWN: MLI149 | | |
| | | 0 PLACES ± | APPR: | | |
| DRAFT WHERE APPLICABLE MUST REMAIN WITHIN DIMENSIONS | | THIRD ANGLE PROJECTION | DRAWING | SERIES | MATERIAL NUMBER |
| | | | A1-SIZE | 34895 | SEE CHART |
| | | CUSTOMER | | SHEET NUMBER | |
| | | 348950800 | | 4 OF 6 | |

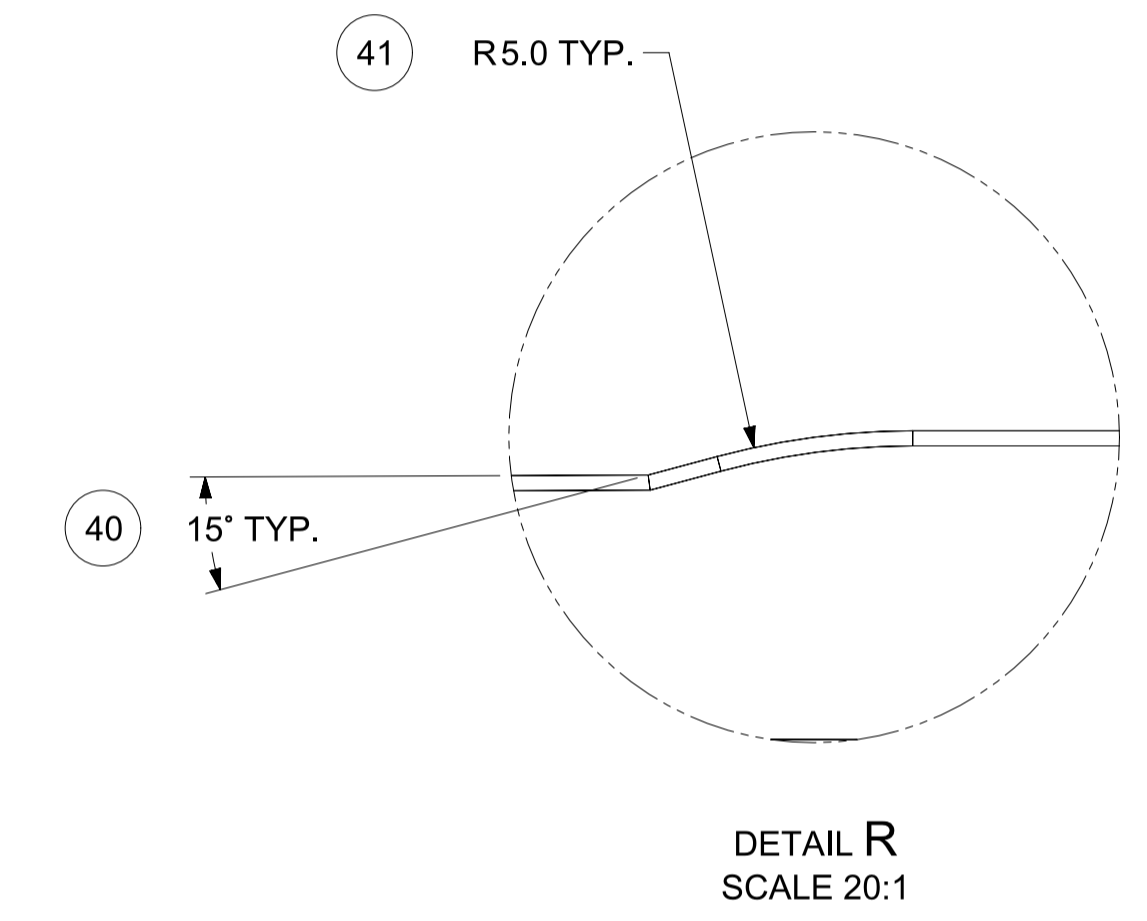
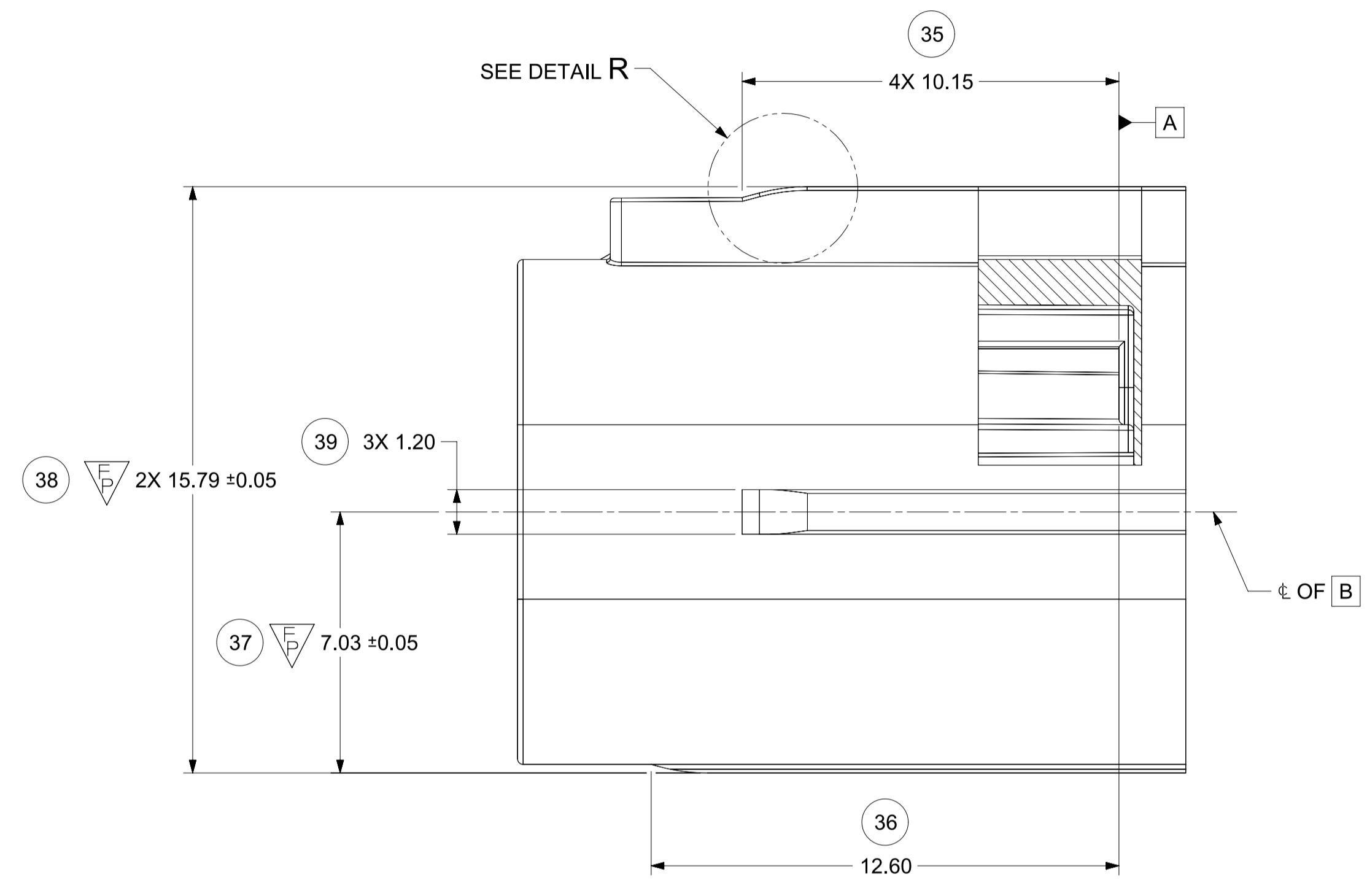
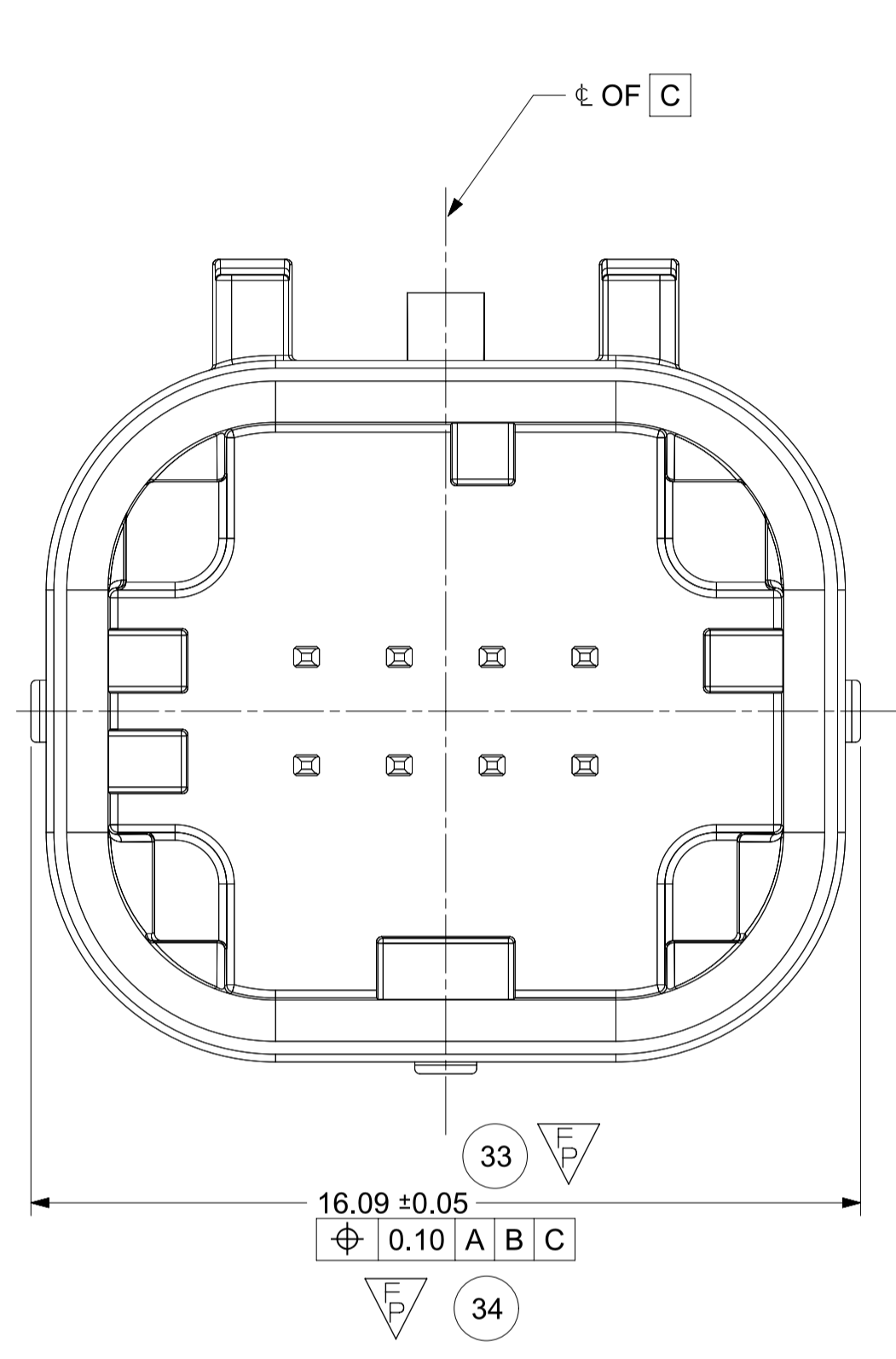
molex

MINI50 SEALED DUAL ROW HEADER INTERFACE

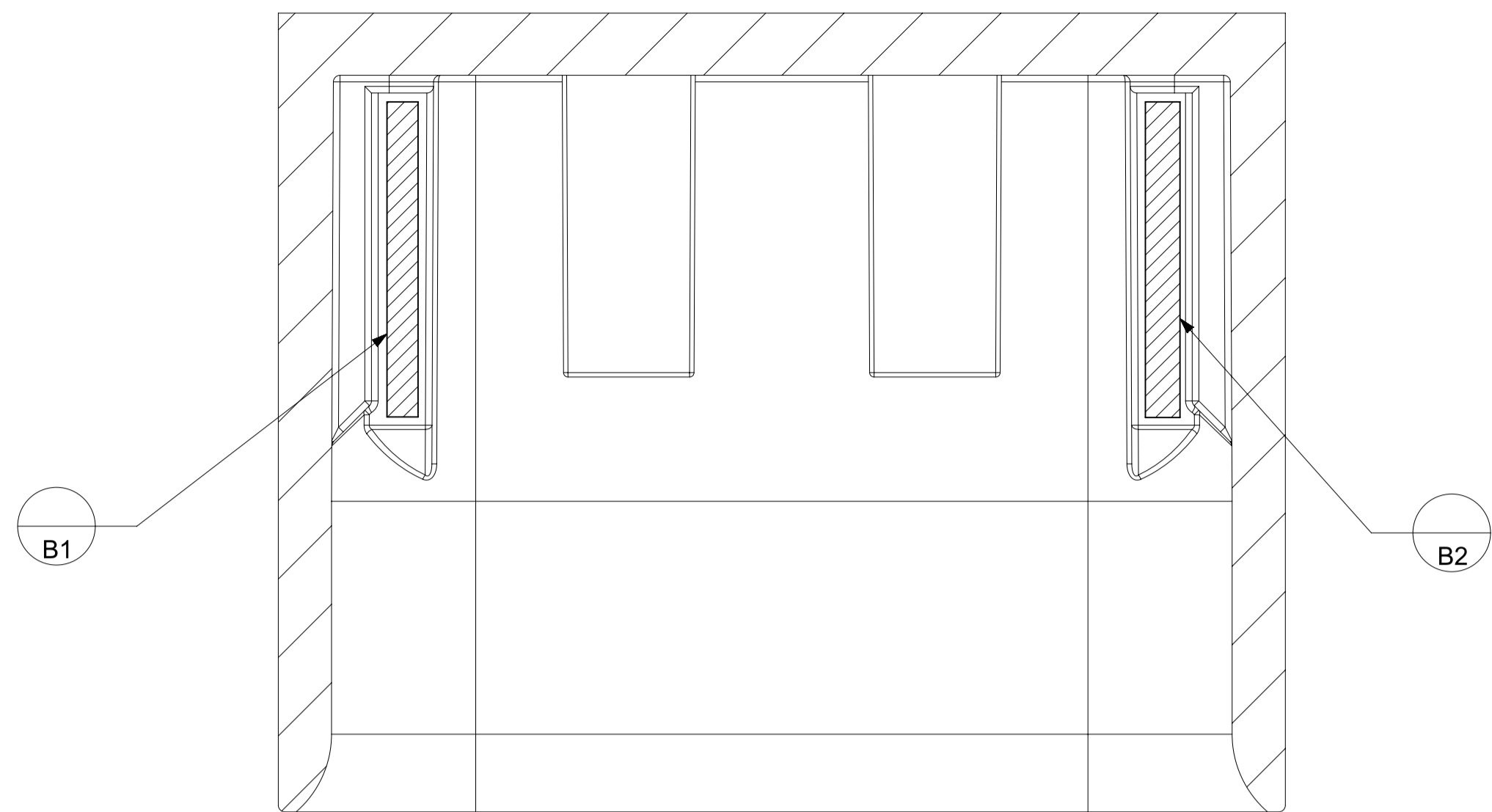
PRODUCT SALES DRAWING

DOCUMENT NUMBER: 348950800
DOC TYPE: PSD
DOC PART: 000
REVISION: B

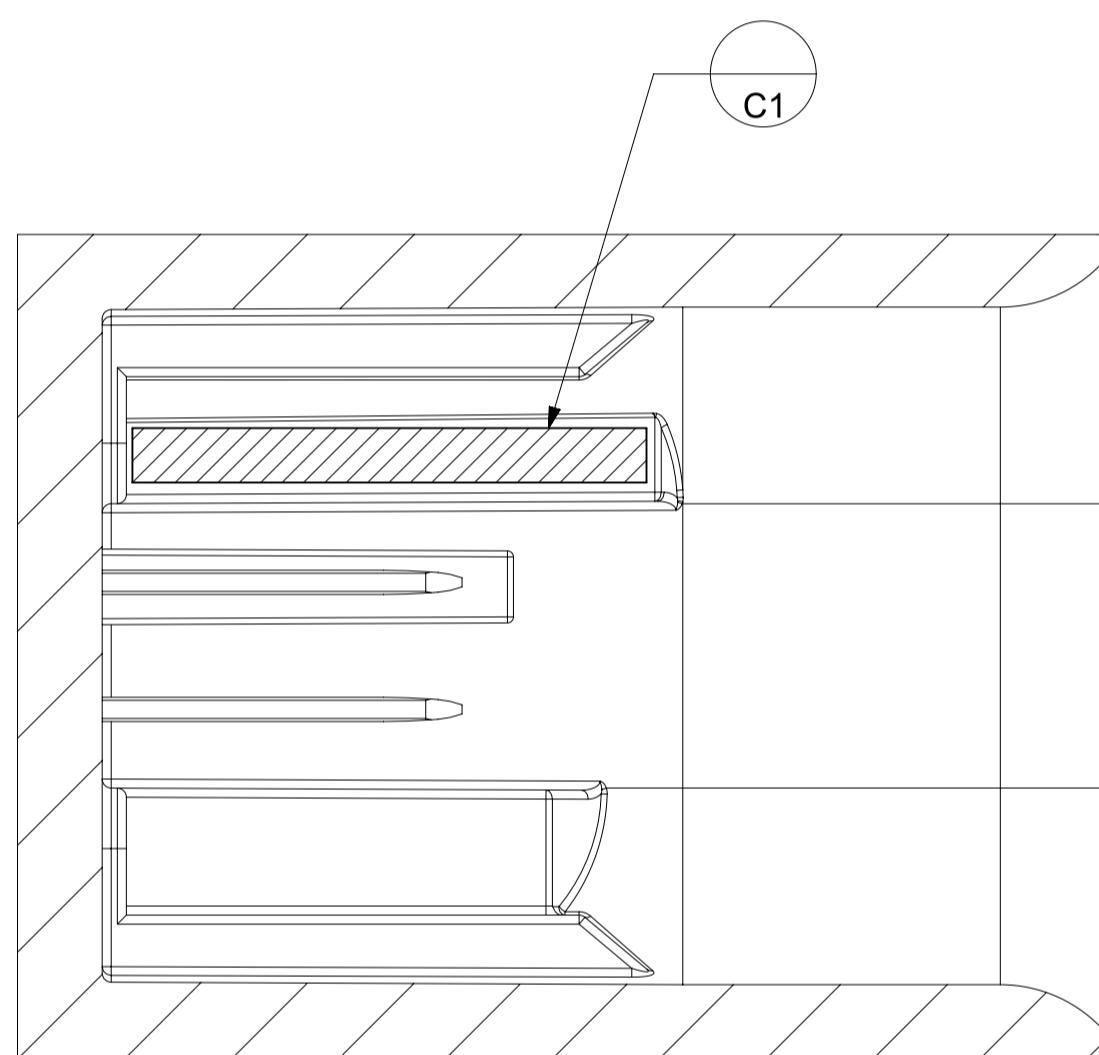
SHEET DESCRIPTION
 INTERFERENCE RIBS DEFINITION (FOR 2X4 ONLY)



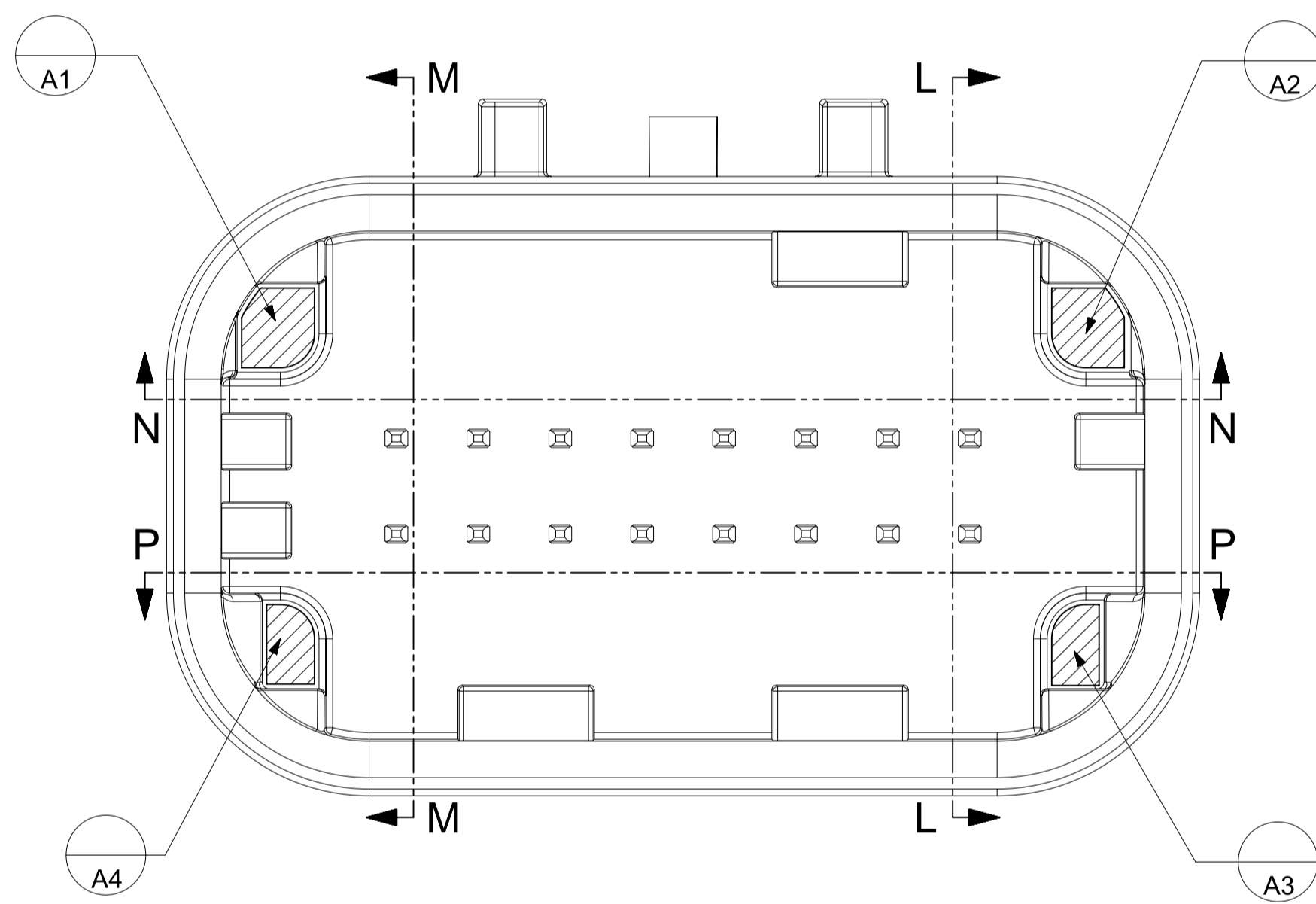
| | | | | | | |
|--|---|------------------------|---|--------|---|--|
| FUNCTIONAL SYMBOLS | THIS DRAWING CONTAINS INFORMATION THAT IS PROPRIETARY TO MOLEX ELECTRONIC TECHNOLOGIES, LLC AND SHOULD NOT BE USED WITHOUT WRITTEN PERMISSION | | CURRENT REV DESC: Added Interference Ribs to 2X4 | | | |
| | DIMENSION UNITS | SCALE | | | | |
| $\nabla_A = 0$ | mm | 8:1 | PHASE: Design Production CO NO: CO-000001789 DRWN: Michael Li 2022-11-23 CHK'D: Michael Li 2022-12-02 APPR: Mike Vanslambrouck 2022-12-15 | | MINI50 SEALED DUAL ROW HEADER INTERFACE | |
| $\nabla_C = 0$ | GENERAL TOLERANCES (UNLESS SPECIFIED) | | | | | |
| $\nabla_P = 4$ | ANGULAR TOL ± 3.0° | | INITIAL REVISION: DRWN: MLI149 APPR: | | PRODUCT SALES DRAWING | |
| DIVISIONAL SYMBOLS | 4 PLACES | ± | | | | |
| | 3 PLACES | ± | DOCUMENT NUMBER 348950800 | | DOC TYPE DOC PART REVISION PSD 000 B | |
| | 2 PLACES | ± 0.100 | | | | |
| | 1 PLACE | ± 0.20 | MATERIAL NUMBER SEE CHART | | CUSTOMER | |
| | 0 PLACES | ± | | | | |
| DRAFT WHERE APPLICABLE MUST REMAIN WITHIN DIMENSIONS | | THIRD ANGLE PROJECTION | DRAWING | SERIES | SHEET NUMBER | |
| | | | A1-SIZE | 34895 | 5 OF 6 | |



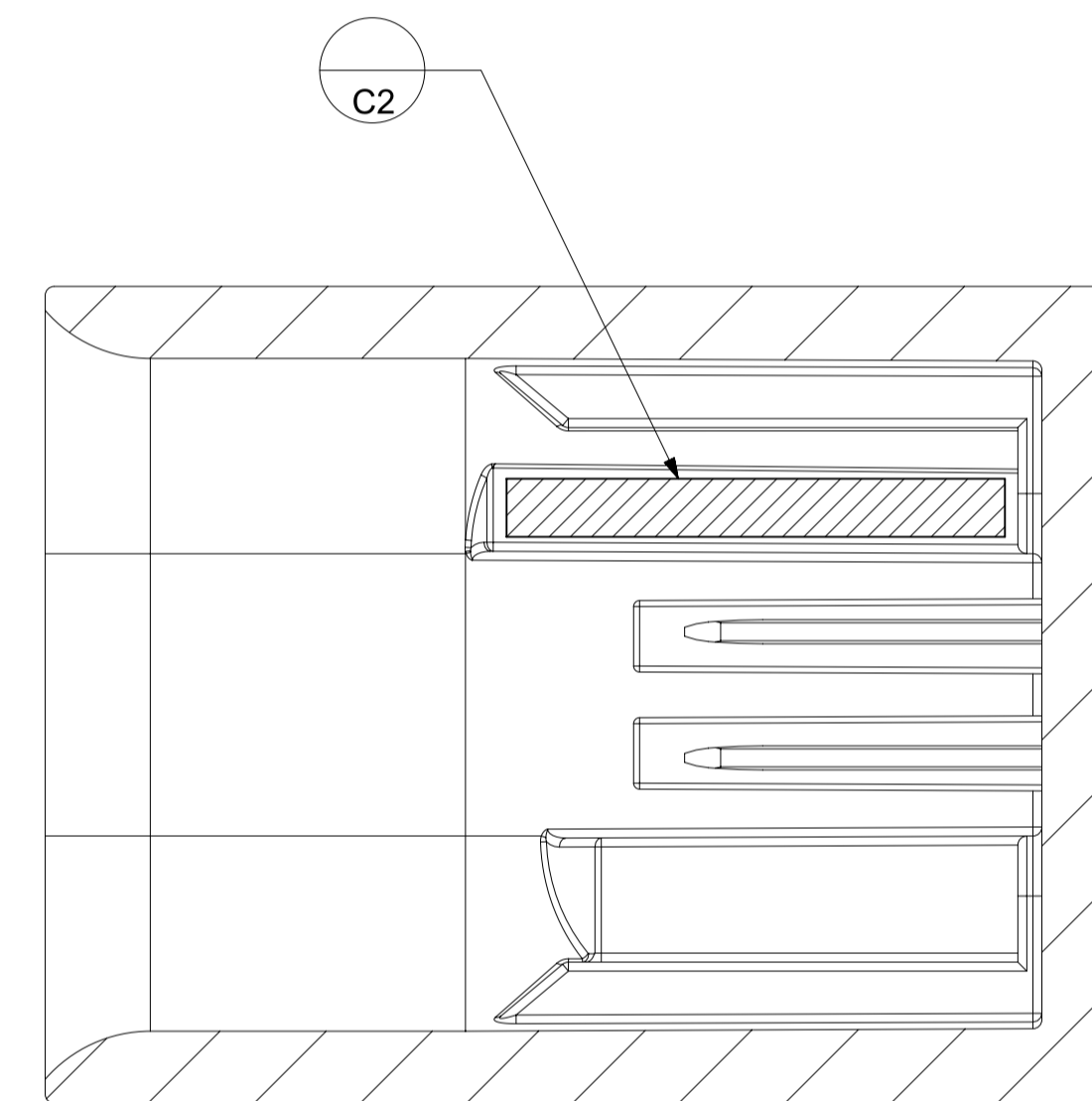
SECTION P-P



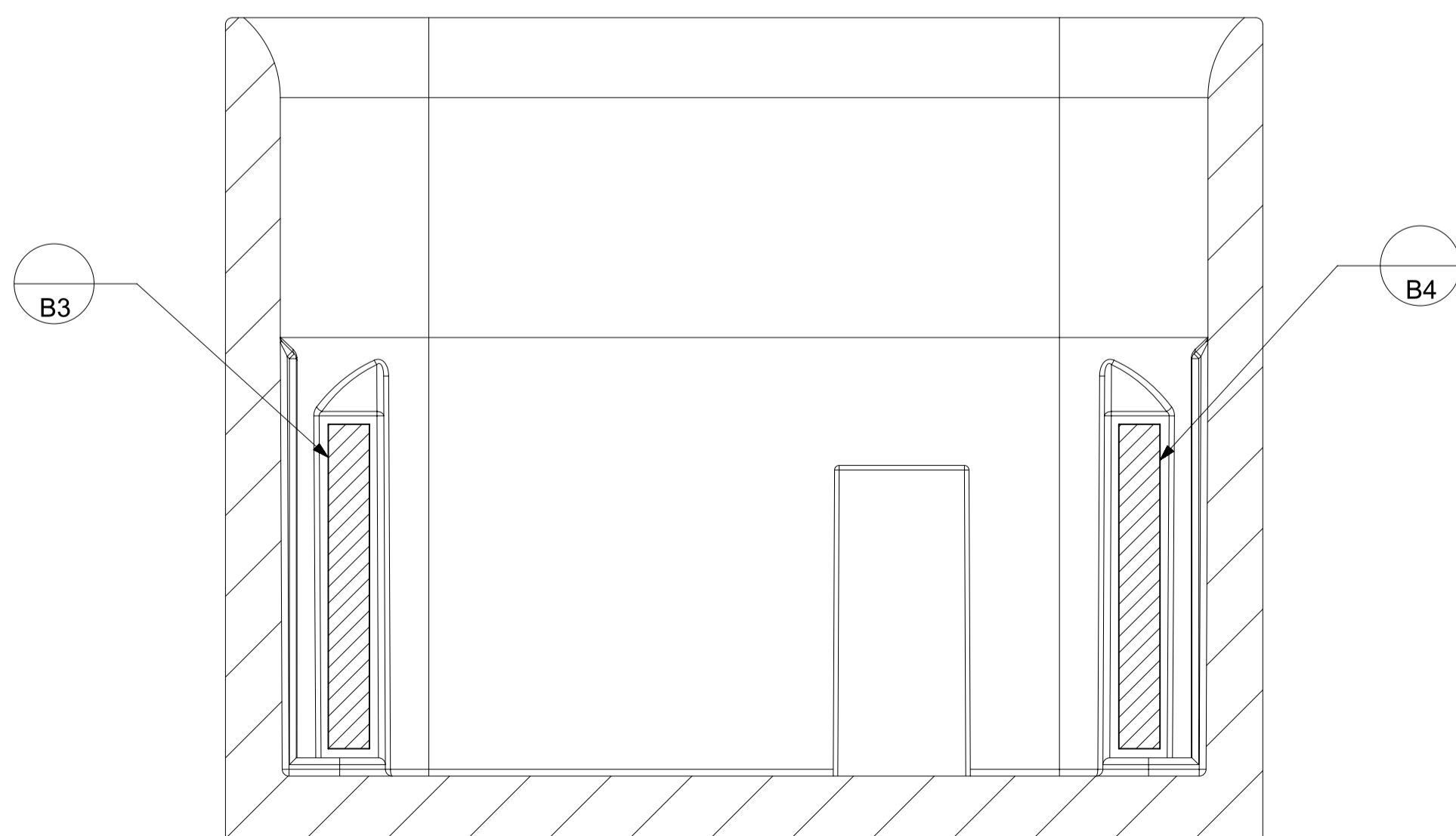
SECTION L-L



SECTION N-N



SECTION M-M



| | | | | |
|---|---|-------------------------------------|---|--------------|
| FUNCTIONAL SYMBOLS $\nabla_A = 0$ $\nabla_C = 0$ $\nabla_P = 0$ | THIS DRAWING CONTAINS INFORMATION THAT IS PROPRIETARY TO MOLEX ELECTRONIC TECHNOLOGIES, LLC AND SHOULD NOT BE USED WITHOUT WRITTEN PERMISSION | | molex MINI50 SEALED DUAL ROW HEADER INTERFACE | |
| | DIMENSION UNITS | SCALE | | |
| | mm | 8:1 | PHASE: Design Production | |
| | GENERAL TOLERANCES (UNLESS SPECIFIED) | | CO NO: CO-000001789 | |
| ANGULAR TOL $\pm 3.0^\circ$ | | DRWN: Michael Li 2022-11-23 | | |
| 4 PLACES \pm | | CHK'D: Michael Li 2022-12-02 | | |
| 3 PLACES \pm | | APPR: Mike Vanslambrouck 2022-12-15 | | |
| 2 PLACES ± 0.100 | | INITIAL REVISION: | | |
| 1 PLACE ± 0.20 | | DRWN: MLI149 | | |
| 0 PLACES \pm | | APPR: | | |
| DRAFT WHERE APPLICABLE MUST REMAIN WITHIN DIMENSIONS | | THIRD ANGLE PROJECTION | DRAWING | SERIES |
| | | | A1-SIZE | 34895 |
| | | MATERIAL NUMBER | CUSTOMER | SHEET NUMBER |
| | | 348950800 | SEE CHART | 6 OF 6 |
| | | DOCUMENT NUMBER | DOC TYPE | DOC PART |
| | | 348950800 | PSD | 000 |
| | | REVISION | | B |