

THIS DRAWING IS UNPUBLISHED.

RELEASED FOR PUBLICATION

© COPYRIGHT - By -

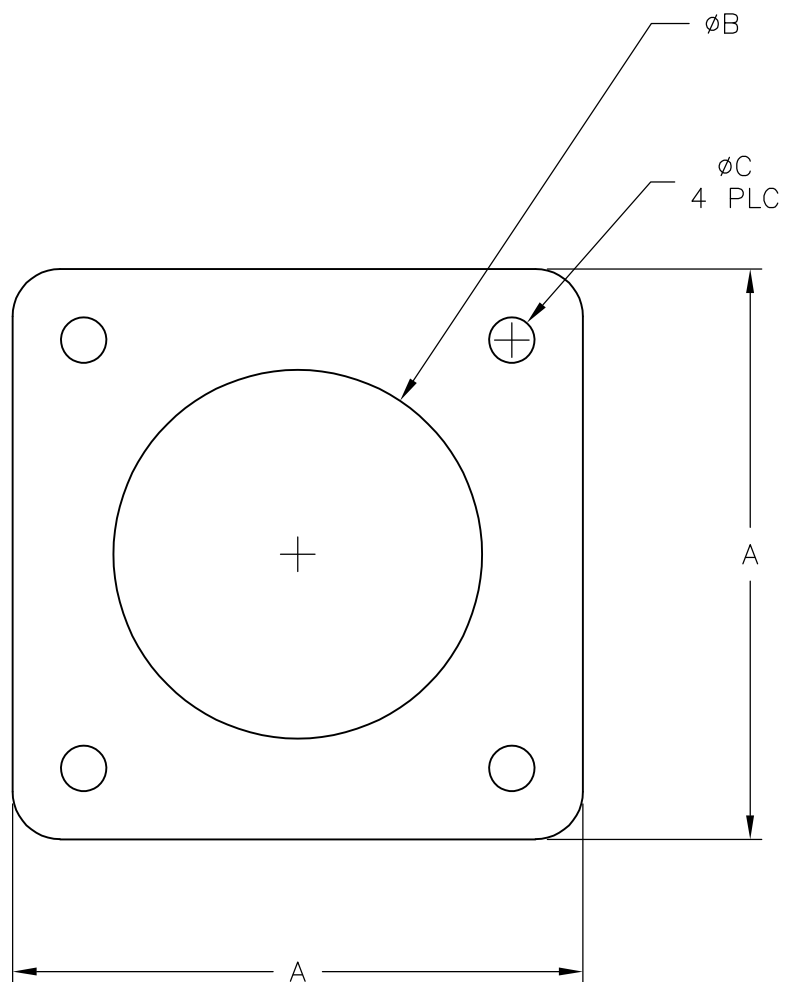
ALL RIGHTS RESERVED.

REVISIONS


P	LTR	DESCRIPTION	DATE	DWN	APVD
C1		REVISED PER ECO-11-004820	11MAR11	RK	HMR
D		REVISED PER ECO-17-000037	10MAR2017	RS	MZ

NOTES:

- ① MATERIAL: NEOPRENE, BLACK.
- ② OBSOLETE PART NUMER.



②	.125	1.030	1.185	14	81665-8
②	.120	1.110	1.530	22	81665-7
②	.142	1.492	1.950	28	81665-6
	.145	1.488	1.875	23	81665-5
	.120	.862	1.375	13	81665-4
	.120	.737	1.188	11	81665-3
	.145	1.100	1.500	17	81665-2
	.120	.970	1.500	-	81665-1
	C	B	A	CPC SHELL SIZE	PART NO.

THIS DRAWING IS A CONTROLLED DOCUMENT.		DWN S SCHLEGEL 16JUL03	 TE Connectivity		
DIMENSIONS: INCHES		CHK S HEADER 7/16/03			
TOLERANCES UNLESS OTHERWISE SPECIFIED:		APVD S HEADER 7/16/03	PRODUCT SPEC		
0 PLC ± - 1 PLC ± - 2 PLC ± - 3 PLC ± .015 4 PLC ± - ANGLES ± -		APPLICATION SPEC	RESTRICTED TO		
MATERIAL		WEIGHT	SIZE	CAGE CODE	DRAWING NO
①		-	A3	00779	C-81665
CUSTOMER DRAWING			SCALE	SHEET	REV
			NTS	1 OF 1	D