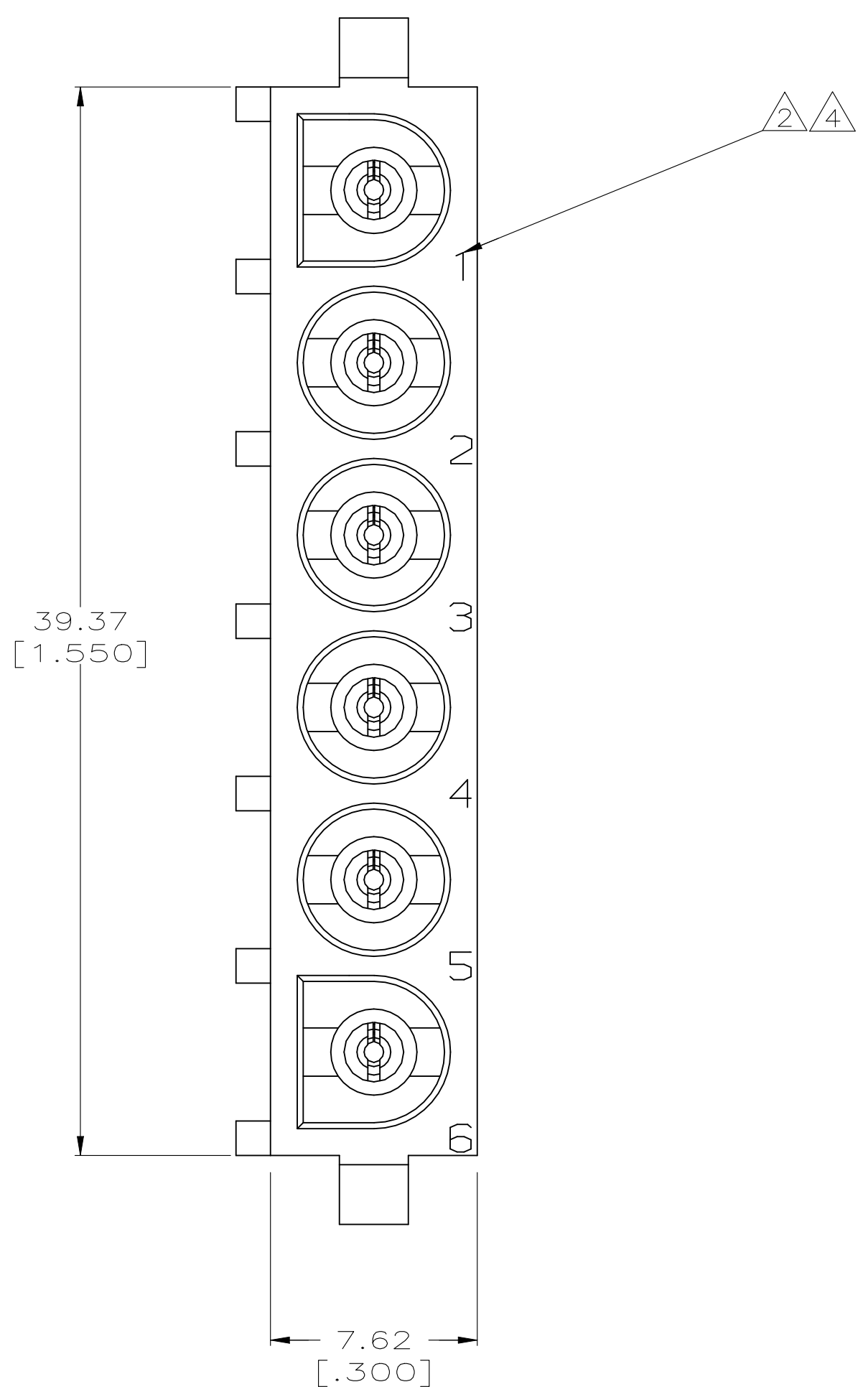
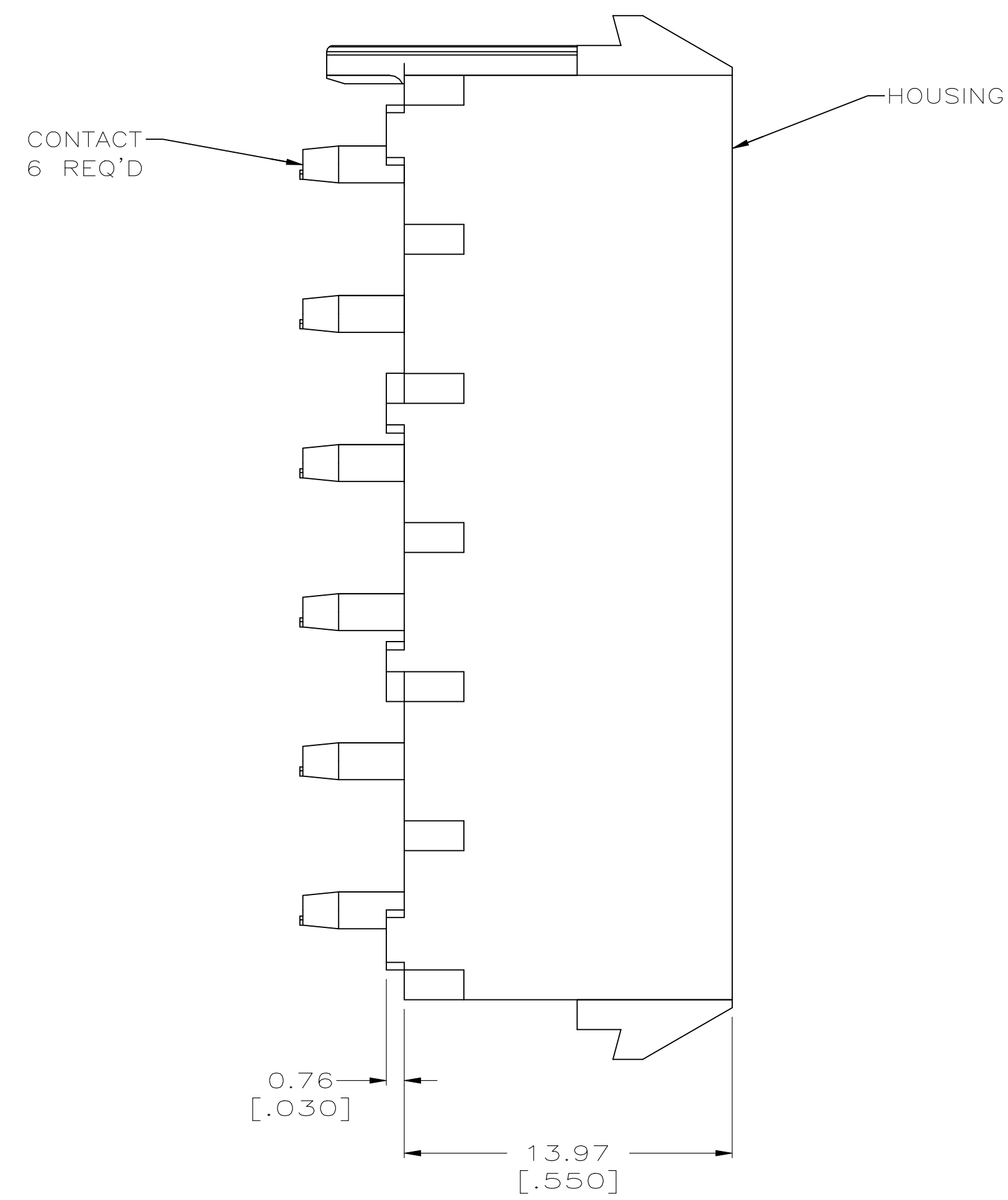
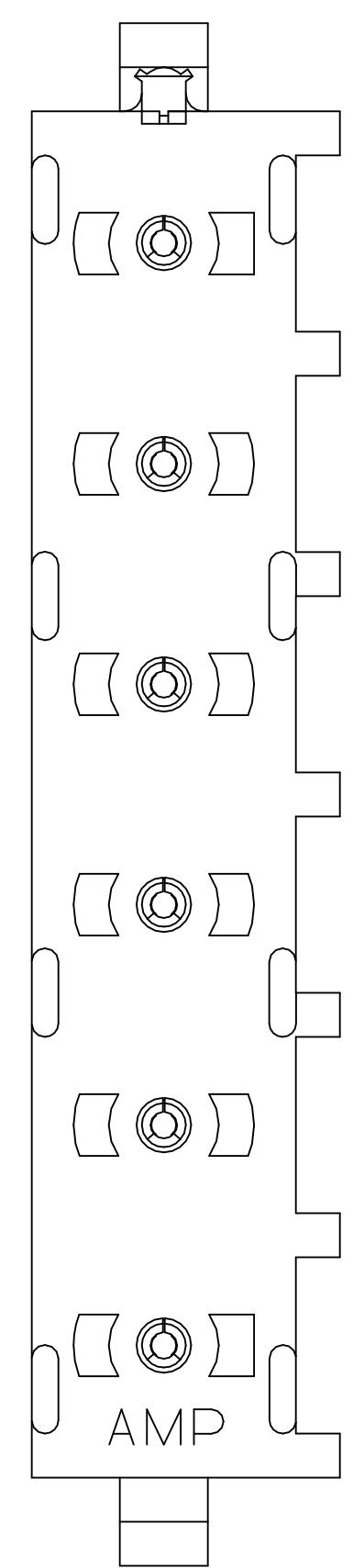
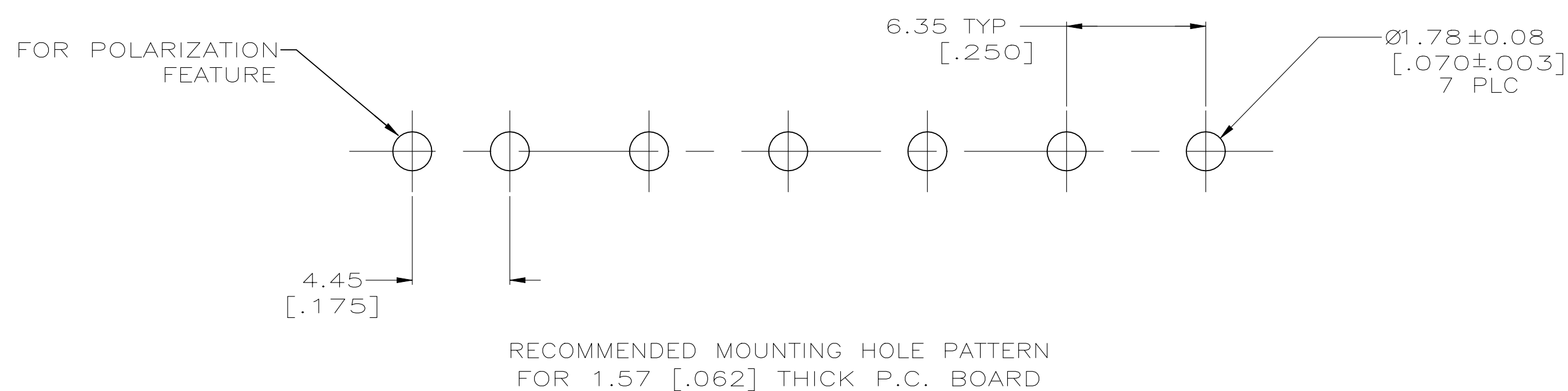
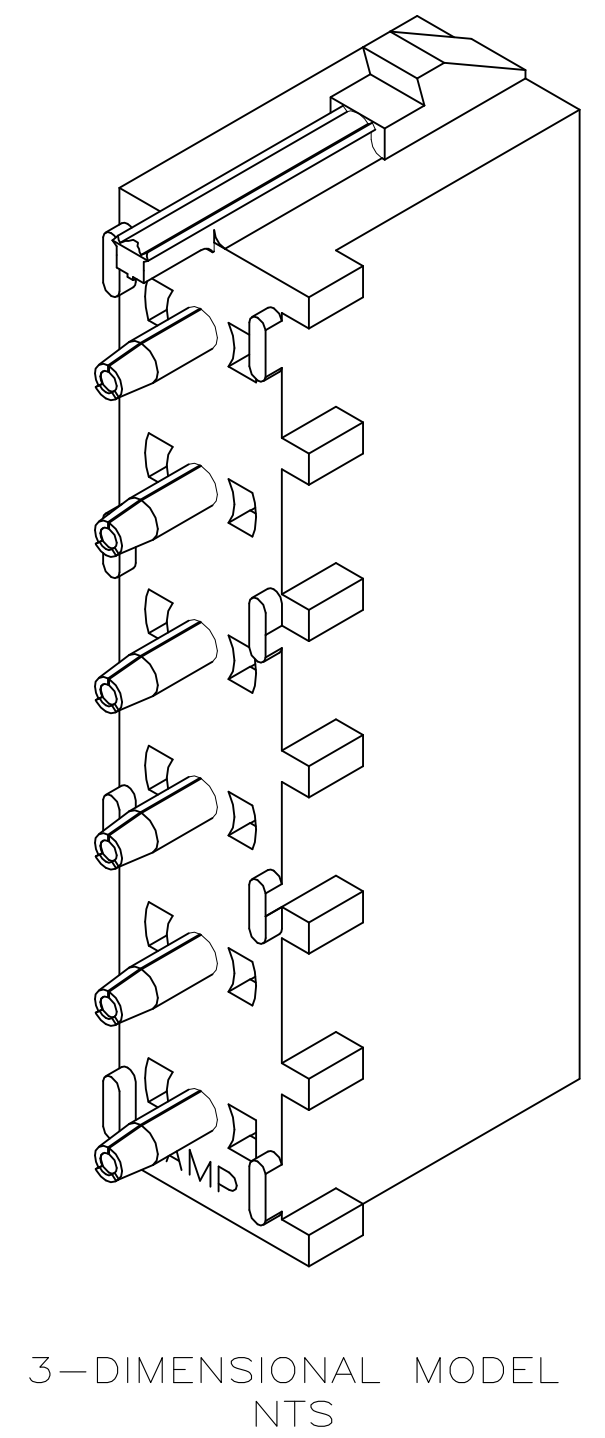
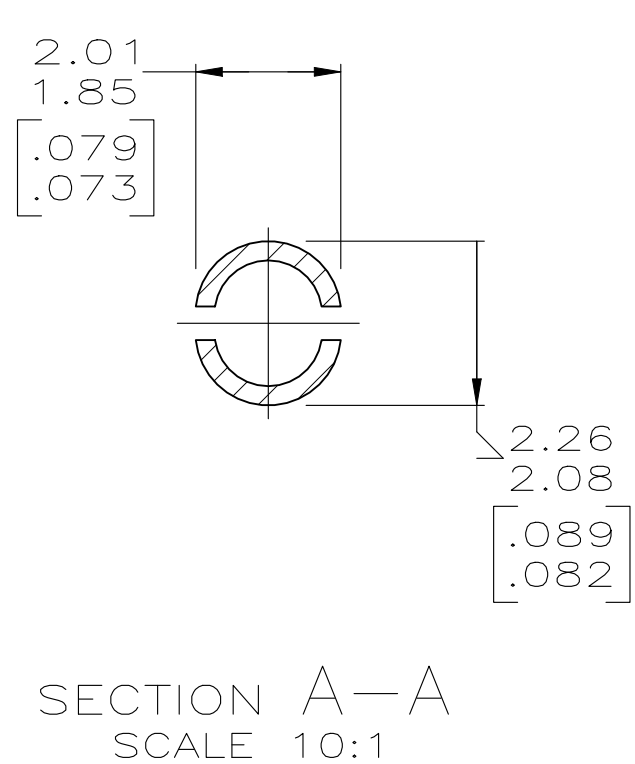
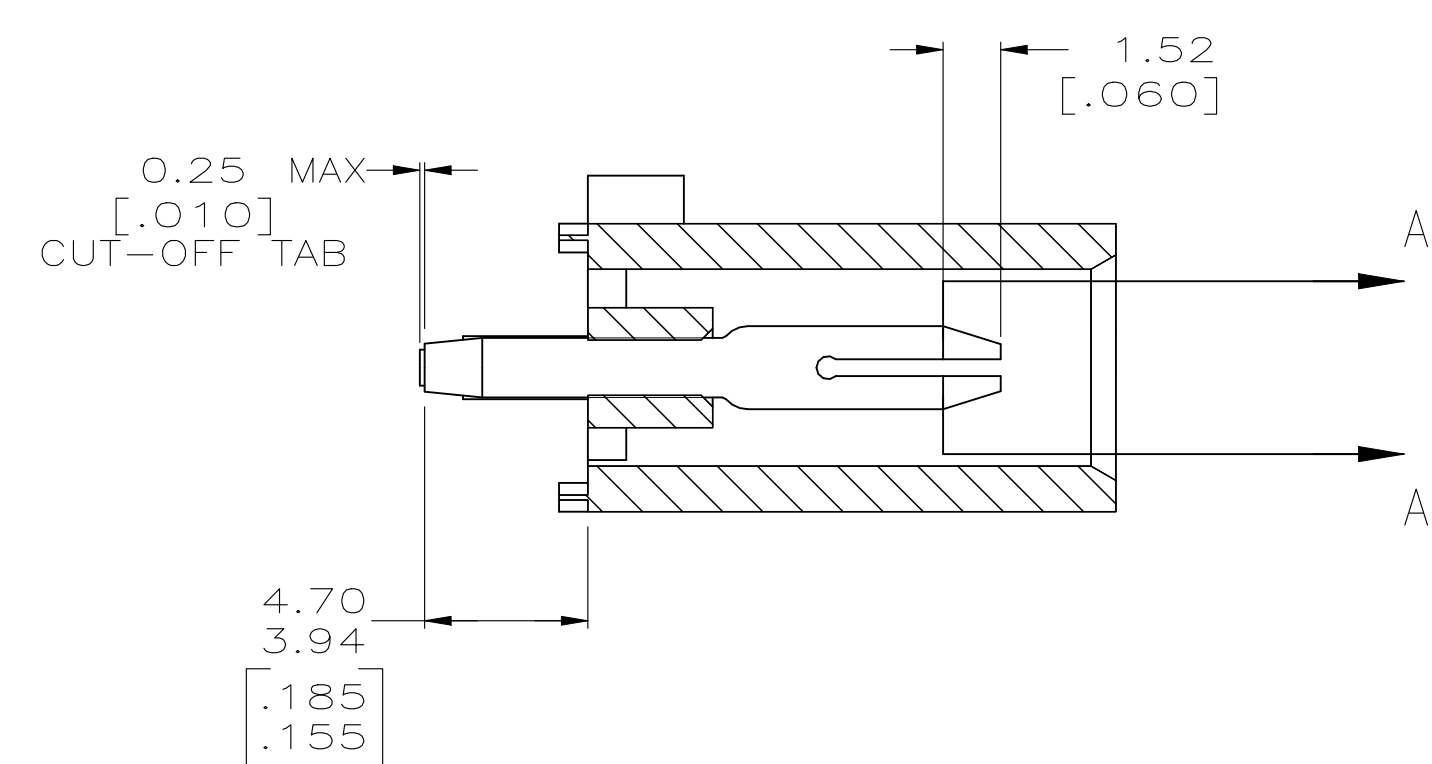


REVISIONS				
REV	DATE	DESCRIPTION	BY	APP'D
M4	08SEP2021	REVISED PER ECR-21-112682	JP	VS



- PARTS COMPLY TO AMP SOLDERABILITY SPECIFICATION 109-11-3.
- CIRCUIT IDENTIFICATION CHARACTERS ARE ADJACENT TO THE INDICATED CAVITIES, BUT LOCATION AND ORIENTATION MAY DIFFER FROM PRINT.
- DIMENSIONS IN BRACKETS ARE IN INCHES.
- IDENTIFICATION WILL APPEAR AT CIRCUIT NO. 1, OTHERS OPTIONAL.
- 0.76 MICRO-METERS [30 MICRO-INCHES] MINIMUM GOLD
- DIMENSIONS SHOWN REPRESENT PRODUCT IN DRY CONDITION. ADDITIONAL 2% GROWTH DUE TO END USE LOCATION MOISTURE ABSORPTION MAY OCCUR AND SHOULD BE ACCOUNTED FOR.



PHOSPHOR BRONZE, GOLD ⁵	NYLON, UL94V-0, WHITE	643408-3
PHOSPHOR BRONZE, PRE-TIN	NYLON, UL94V-0, WHITE	643408-1
PIN CONTACT MATL AND FINISH	HOUSING MATERIAL	PART NO.
THIS DRAWING IS A CONTROLLED DOCUMENT.		
DIMENSIONS: mm [INCHES] TOLERANCES UNLESS OTHERWISE SPECIFIED: 0 PLC ± - 1 PLC ± - 2 PLC ± 0.13 [.005] 3 PLC ± - 4 PLC ± - ANGLES ± -		APVD: L. McEACHIN 07-JAN-2000 CHK: K. COBLE 07-JUN-2000 APVD: K. COBLE 07-JUN-2000 PRODUCT SPEC APPLICATION SPEC NAME: PIN HEADER ASSEMBLY, POLARIZED, 6 CIRCUIT UNIVERSAL MATE-N-LOK SIZE: A1 CAGE CODE: 00779 DRAWING NO: 643408 RESTRICTED TO: -
MATERIAL: SEE TABLE	FINISH: SEE TABLE	WEIGHT: CUSTOMER DRAWING
SCALE: 5:1		SHEET: 1 of 1 REV: M4