

PART NUMBER	REV	FIRST USED
567959-1	C	854040-3

TERMINAL NAME: DUAC SOCKET CONTACT					
VISIBLE CRIMP DATA (AMP TERMINAL)					
PAD LTR	CRIMP HEIGHT	WIRE SIZE			
A	.042 ±.002 [1.07 ±0.05mm]	18			
B	.036 ±.002 [0.91 ±0.05mm]	20			
C	.032 ±.002 [0.81 ±0.05mm]	22			
D	NOT	USED			
CRIMP	SIZE	TYPE	RANGE		
WIRE	.062 [1.57mm]	F	22-18		
INSUL	.110 [2.79mm]	F	Ø.059-.094		
WIRE STRIP LENGTH	TERM APPL SPEC	FEED	APPL INSTRUCTION	SET UP GAGE	LAYOUT
.094-.126	114-19048	.472	SEE CUSTOMER MANUAL	NONE	L1769

SIM TO HDM 680308

QTY	REV	TER	APPL SPEC	DESCRIPTION	ITEM NO
2	-	C	6-354779-9	PIN, WIRE DISC (.3335)D	129
2	-	C	5-354779-7	PIN, WIRE DISC (.3275)C	128
					127
2	-	C	7-354779-8	PIN, WIRE DISC (.3380)A	126
1	-	A	986950-1	WASHER, FLAT PRECISION	125
1	-	A	217238-3	GENERAL INSTRUCTION PACKAGE	124
					123
					122
1	-	A	4-21028-0	PIN, SLT SPR (Ø.093x.75) ST 60E PL	121
1	-	B	690701-2	PLATE, SERIAL NO.	120
2	-	A	21899-2	WASHER, FLAT (#10) S G ADJ BLK	119
					118
2	-	A	21024-5	WASHER, LOCK (#10) ADJ BLOCK	117
					116
					115
2	-	A	21024-2	WASHER, LOCK (#4) FRONT STP GUIDE	114
REF	-	A	21024-4	WASHER, LOCK (#8) FEED FINGER	113
2	-	A	21024-4	WASHER, LOCK (#8) DEP-HOLD	112
REF	-	A	21024-4	WASHER, LOCK (#8) STRIPPER	111
					110
					109
1	-	A	21018-5	NUT, HEX (#6) HOLD DOWN	108
					107
					106
					105
					104
1	-	A	21009-2	SCR, SKT 5ET (1/4-20x.25 LW) RAM	103
					102
4	-	A	21017-2	SCR, DRIVE (#2x.19) ID PLATE	101
1	-	B	819347-1	PLATE, IDENTIFICATION	100
2	-	A	3-21002-0	SCR, BHC (10-32x.88) DRAG	99
1	-	A	22733-8	SCR, BHC (8-32x.38 LW) ANVIL	98
					97
1	-	A	3-21000-8	SCR, SHC (10-32x.88) MOUNTING	96
1	-	A	2-21002-7	SCR, BHC (10-32x.50) S G ADJ BLK	95
6	-	A	2-21002-2	SCR, BHC (8-32x.50) SHEAR-TERM SUP	94
					93
					92
1	-	A	1-21002-7	SCR, SHC (6-32x.50) CAM	91
2	-	A	2-21000-7	SCR, SHC (8-32x.50) SCR BLK	90
					89
					88
2	-	A	2-21000-7	SCR, SHC (8-32x.48) DEP-HOLD DOWN	87
REF	-	A	2-22603-0	SCR, HEX HD (8-32x.31) FEED FINGER	86
2	-	A	1-21000-3	SCR, SHC (4-40x.25) F ST GUIDE	85
REF	-	A	22733-9	SCR, BHC (8-32x.50 SL) STRIPPER	84
					83
					82
1	-	A	3-22603-1	SCR, HEX (10-32x.38) S G ADJ BL	81
					80
					79
					78
2	-	B	463310-5	BLADE, STRIPPING (#20)	77
					76
					75
1	-	A	690603-1	SPRING, ASSIST	74
1	-	A	23030-1	SCR, SKT CAP (6-32x.25) CP DSC	73
					72
					71

QTY	REV	TER	APPL SPEC	PART NO	DESCRIPTION	ITEM NO
-1	U/M					

PARTS LIST						
QTY	REV	TER	APPL SPEC	PART NO	DESCRIPTION	ITEM NO
-1	U/M					

QTY	REV	TER	APPL SPEC	PART NO	DESCRIPTION	ITEM NO
						70
						69
						68
						67
						66
						65
						64
						63
						62
						61
						60
						59
						58
						57
REF	-	B	694433-8	PAWL, FEED		56
						55
						54
						53
						52
1	-	A	811242-2	BUMPER, HOLDDOWN		51
1	-	A	690753-1	SPACER, TONKER		50
						49
1	-	A	690602-6	CAM, PRE-FEED 1.62 STROKE		48
						47
						46
1	-	A	690191-1	PLUG, NYLON		45
1	-	C	455673-1	RAM		44
1	-	A	690125-1	WASHER, LAMINATED		43
1	-	A	690124-3	WASHER, RAM		42
1	-	A	7-21002-9	BOLT, CRIMPER (5/16x1.00)		41
1	-	A	23241-6	BALL, STEEL		40
1	-	A	690170-1	SPRING, COMPRESSION		39
1	-	C	690142-1	DISC, INSULATION		38
1	-	D	354777-1	WIRE DISC, PLASTIC		37
1	-	A	22480-5	WASHER, SPRING		36
1	-	B	690212-1	POST, RAM		35
1	-	B	690786-1	SUPPORT, TERMINAL		34
1	-	C	462544-1	PLATE, BASE SPECIAL		33
1	-	A	690432-3	SCREW, ADJUSTMENT		32
1	-	B	462543-1	BLOCK, SCREW SPECIAL		31
1	-	B	455689-1	BLOCK, STRIP GUIDE ADJ		30
1	-	C	455671-1	PLATE, STRIP GUIDE		29
1	-	C	1-455888-7	SPACER, FRONT SHEAR DEP		28
2	-	A	1-22284-0	SPRING, DRAG		27
1	-	B	690546-1	LEVER, DRAG RELEASE		26
1	-	B	240792-5	DRAG, TERMINAL		25
1	-	D	6-690504-8	GUIDE, STRIP (REAR)		24
1	-	A	690438-1	GUIDE, STRIP (FRONT)		23
						22
1	-	A	463756-1	GUIDE, SCRAP		21
						20
REF	-	C	462615-1	STRIPPER		19
						18
						17
						16
						15
						14
						13
1	-	A	5-22280-0	SPRING, SHEAR		12
1	-	B	1-690461-6	STOP, SHEAR (FRONT)		11
1	-	B	462548-1	HOLDER, SHEAR (FRONT) SP		10
1	-	B	462547-1	SHEAR, FLOAT (FRONT) SP		9
1	-	C	8-189717-1	ANVIL		8
						7
						6
1	-	A	462838-1	DEPRESSOR, SHEAR (FRONT) SP		5
1	-	B	2-238011-5	SPACER, BLOCK CRIMPER		4
1	-	C	3-683453-8	CRIMPER, INSULATION		3
1	-	C	455888-3	SPACER, CRIMPER		2
1	-	C	1-456403-6	CRIMPER, WIRE		1

QTY	REV	TER	APPL SPEC	PART NO	DESCRIPTION	ITEM NO
-1	U/M					

PARTS LIST						
QTY	REV	TER	APPL SPEC	PART NO	DESCRIPTION	ITEM NO
-1	U/M					

DIMENSIONS IN INCHES. DO NOT SCALE PRINT. TOLERANCES UNLESS OTHERWISE SPECIFIED:

2 PLC DEC ±  
3 PLC DEC ±  
4 PLC DEC ±

ANGLES ± -  
SURF TEXTURE: ✓  
REMOVE BURRS, BREAK SHARP EDGES R.015 MAX

MATL - HT TR - FIN -

DR W.HOOVER 26FEB99 APP T.ELBIN 26FEB99  
CHK C.ERISMAN 26FEB99 REL -

AMP Incorporated Harrisburg, PA 17105-3608

NAME STRIPPER CRIMPER APPLICATOR MACHINE REF STRIPPER CRIMPER

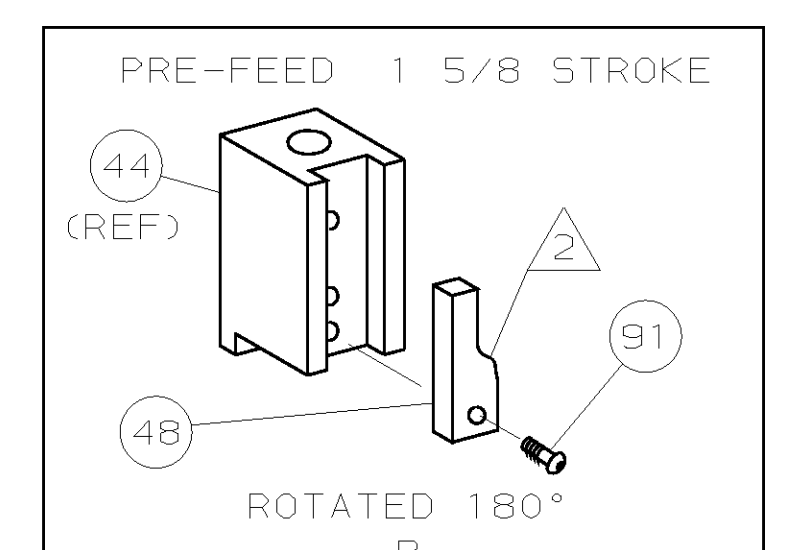
SCALE - DWG NO 567959 SHEET 1 OF 1 REV C

CASE CODE 00779 CUSTOMER AND ASSEMBLY DRAWING RESTRICTED TO

THIS DRAWING IS A CONTROLLED DOCUMENT.

RELEASED FOR PUBLICATION 07 APRIL 1999 BY AMP INCORPORATED. ALL RIGHTS RESERVED.

LOC A  
DIST 66



- 1 RECOMMENDED SPARE PARTS.
- 2 GREASE LIGHTLY.
- 3 ITEM NOT SHOWN.
- 4 CUT TO LENGTH AT ASSY.