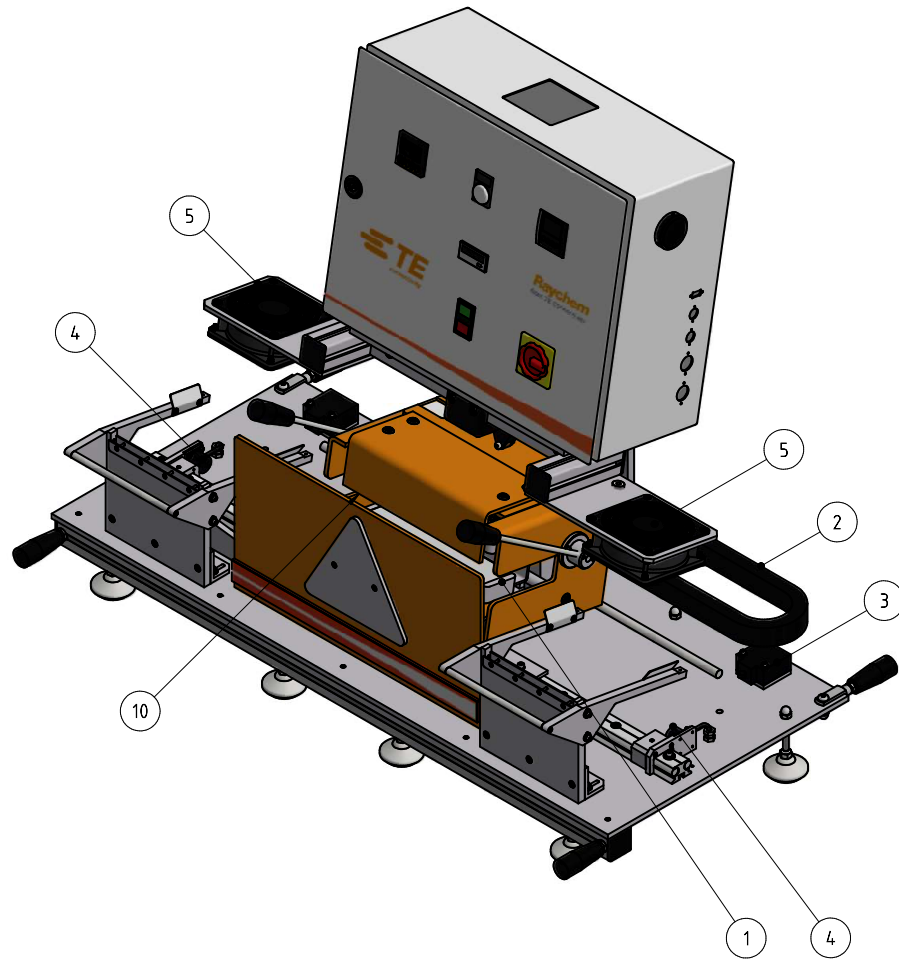


LOC	DIST	REVISIONS					
AI	00	P	LTR	DESCRIPTION	DATE	DWN	APVD
		D		ECR-20-005146	03APR20	RN	RN



**SPARE PARTS LIST**

POS	QTY	TE / PN	RAYCHEM / PN	DESCRIPTION	GUIDELINE
1	1		201256-000	IR-1891-STD-ELE-SET-ASSY - 1 heating element 230V / 750W without thermocouple - 1 heating element 230V / 750W with type "K" thermocouple NOTE! It is recommended to stock heating elements!	Heating Element
2	1		310862-000	IR-1891-CABLE-CHAIN-ASSY	Cable Chain Assembly
3	3	2256559-1		SWITCH, POSITION, SAFETY, ROLLER PLUNGER	Alarm Switch
4	2		954222-000	IR-1891-HC-MAGNT-ASY-GT25	Magnet Assembly
5	2	2168721-1		FAN, AXIAL, AC, COMPACT	Fan
6	1		CF6548-000	IR-1891-SOLD-ST-REL-TE10S	Solid State Relays
7	1		CF6549-000	IR-1891-TEMP-CONTR-3216	Temperature Controller
8	1		CF6550-000	IR-1891-TIMER-H5CX-A11	Timer
9	1		D83085-000	IR-1891-ROLLER-LW4-31mm	Rollers
10	1	4-529533-1		IR-1891-HEATER-HEAD-SILICON-PARTS	
11	1	537219-2		ELECTRICAL CABINET, EL DIAGRAM, IR-1891-SHUTTLE-RETN	Electrical diagram
12	1	3-744015-0		CUSTOMER MANUAL, IR-1891-230V-SHUTTLE-RETURN	Instruction Sheet

**THIS DRAWING IS A CONTROLLED DOCUMENT.**

DIMENSIONS: mm 	TOLERANCES UNLESS OTHERWISE SPECIFIED: 0 PLC ± 3 PLC ± 2 PLC ± 3 PLC ± ANGLS ±	DRAWN: R. Nitschke 04OCT2012 CHK: C. Nitsch 04OCT2012 APP'D: C. Nitsch 04OCT2012 PRODUCT SPEC	TE Connectivity NAME: IR-1891-230V-SHUTTLE-RETN -
MATERIAL	FINISH	APPLICATION SPEC GEWICHT / Weight in Kg: 62 kg SIZE: A2 CABE CODE: 00779 DRAWING NO: C= 528018-1 RESTRICTED TO	SCALE: 1:5 SHEET: 1 of 1 REV: D

**CUSTOMER DRAWING**