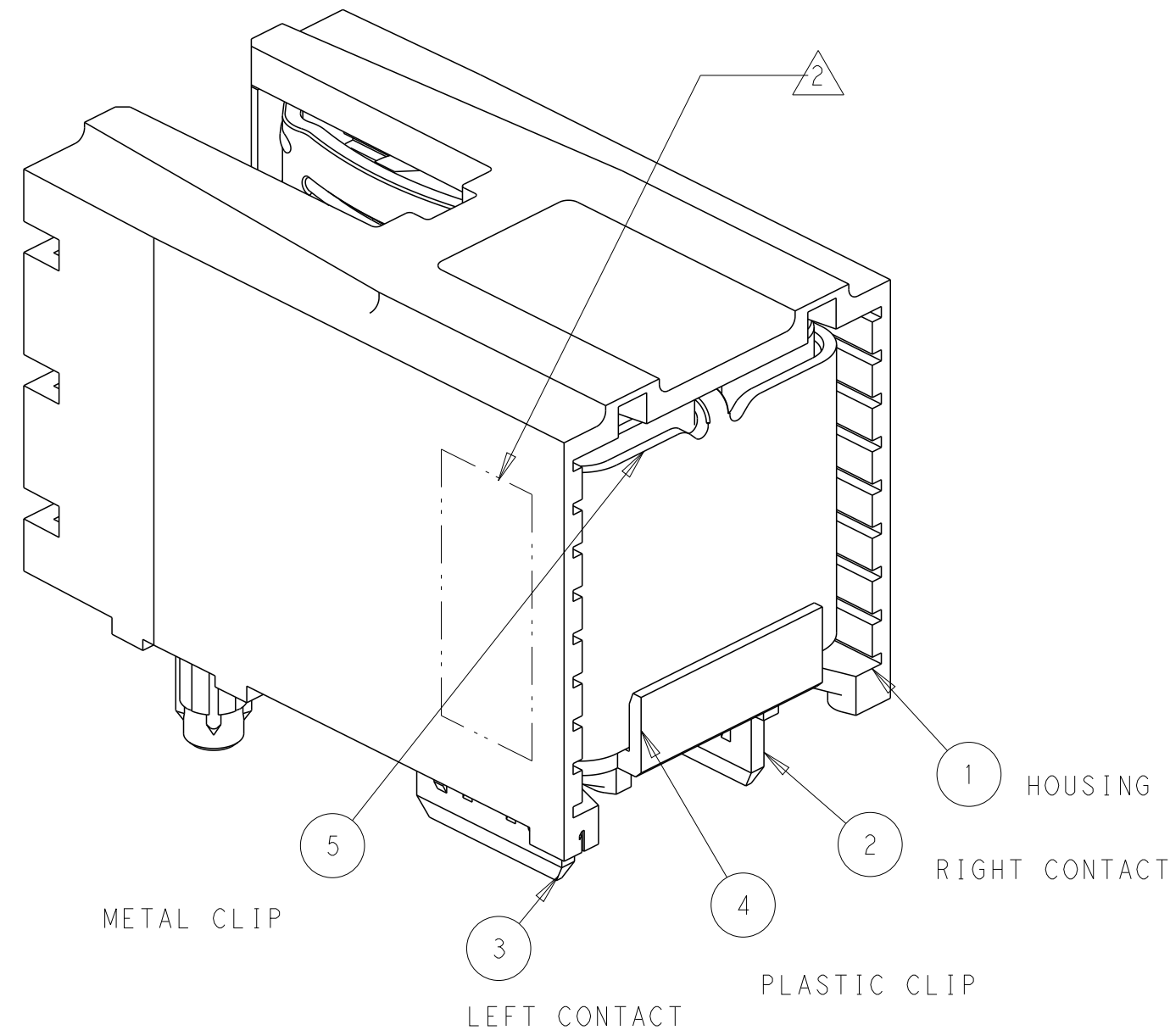
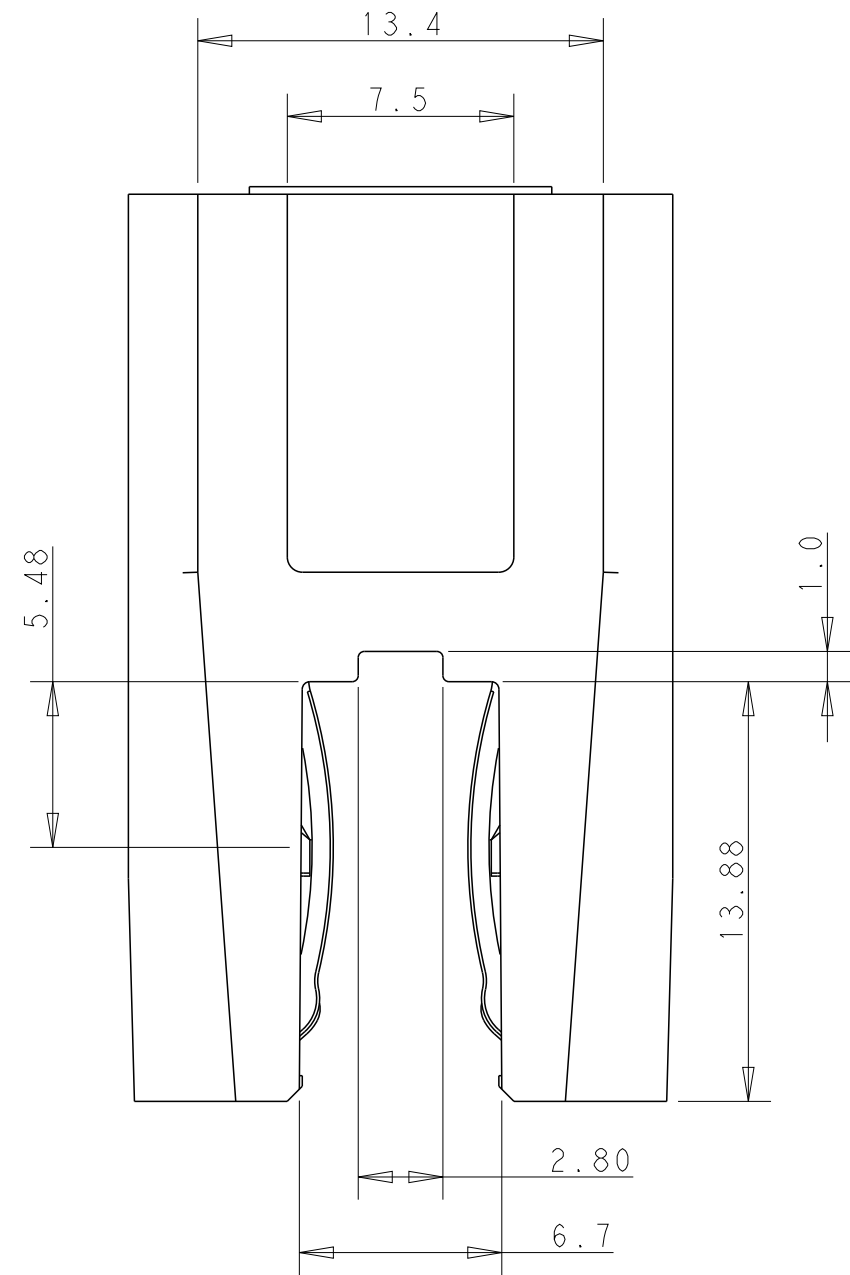


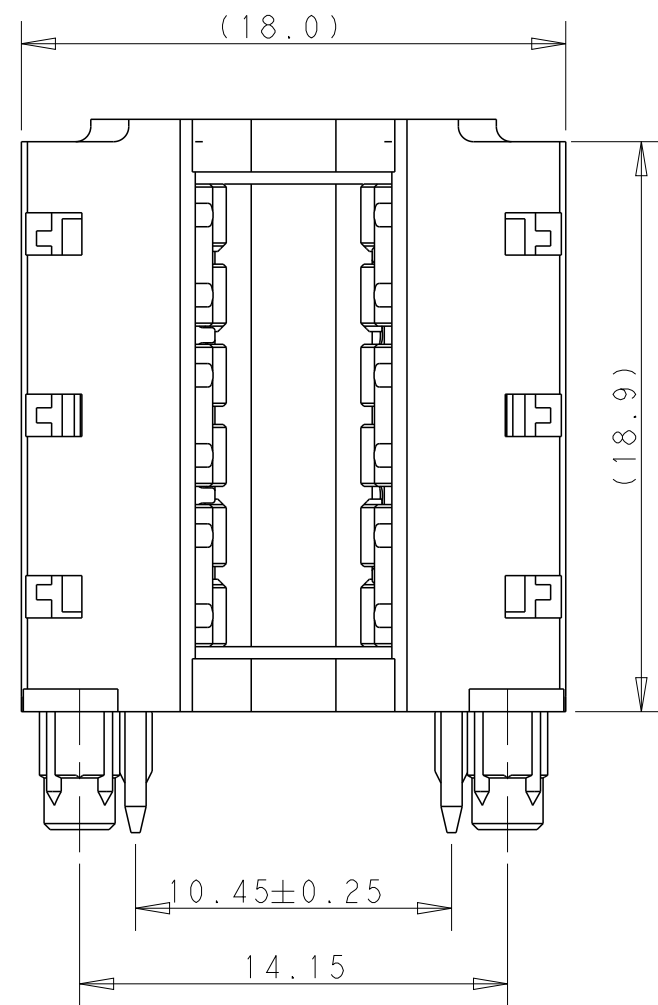
THIS DRAWING IS UNPUBLISHED. RELEASED FOR PUBLICATION 2011  
 © COPYRIGHT 2011 ALL RIGHTS RESERVED.

LOC	DIST	REVISIONS					
FT	0	P	LTR	DESCRIPTION	DATE	DWN	APVD
		A2		RELEASE NEW PART NUMBER -3	22AUG2022	MAC	SH

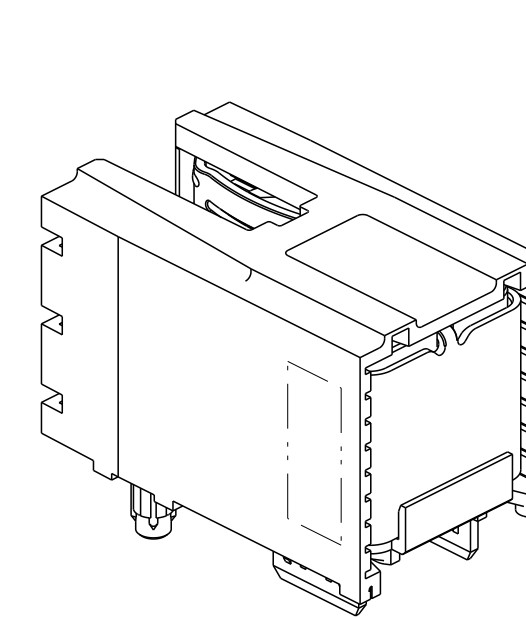
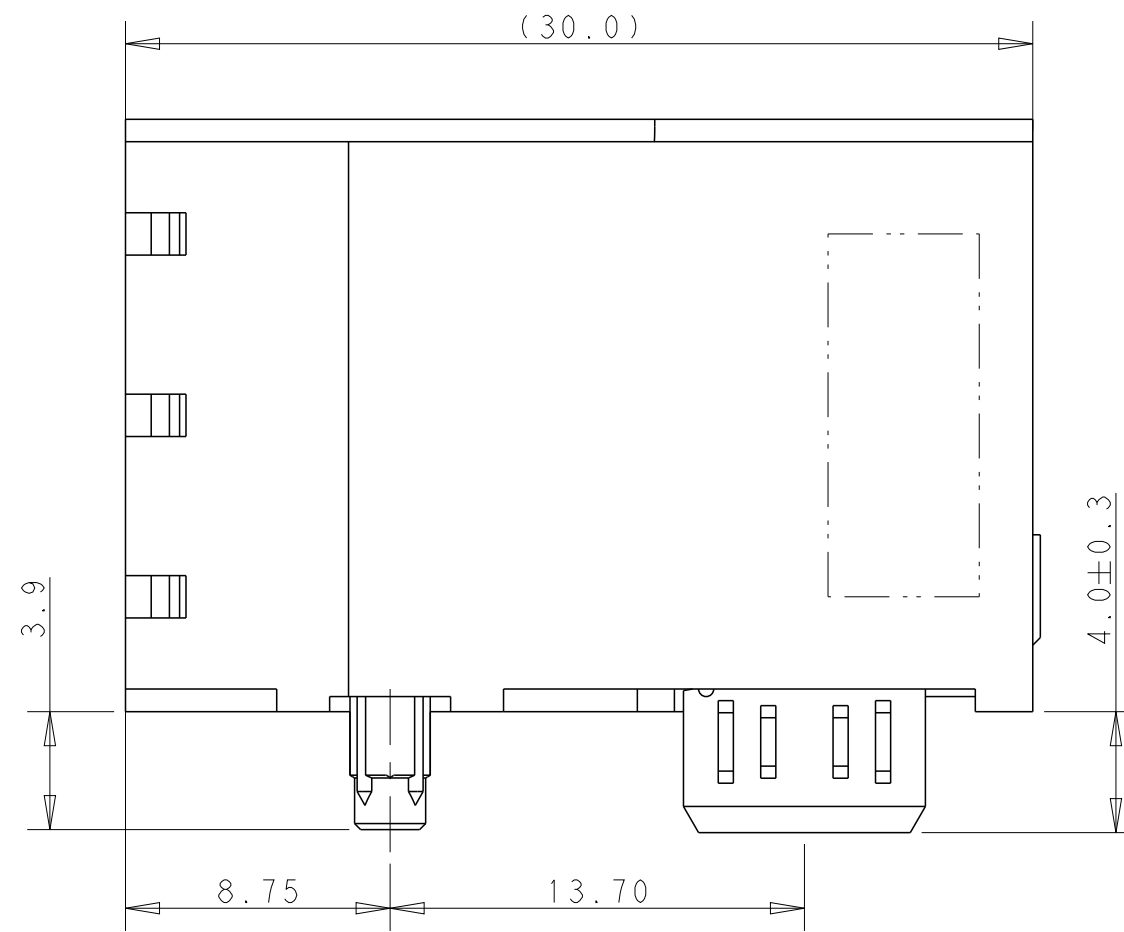


NOTES, UNLESS OTHERWISE SPECIFIED:

- MATERIAL:  
 HOUSING: THERMOPLASTIC GLASS PREINFORCED,  
 COLOR: BLACK, UL 94 V-0  
 CONTACT: HIGH CONDUCTIVITY COPPER ALLOY
- AREA FOR DATE CODE AND P/N.
- FINISH:  
 MATING AREA: NOBLE METAL PLATING OVERALL NICKEL PLATING  
 TAIL AREA: MATTE TIN PLATING OVERALL NICKEL PLATING.
- SURFACE ROUGHNESS IN CONTACT AREA: Ra 1.6um MAX.
- THE RECOMMENDED MATING BUSBAR SPEC. ;  
 HIGH CONDUCTIVITY COPPER ALLOY C11000/C10100/C10200  
 PLATING SPEC OF P/N: 2204018-1/-2:  
 0.76um OR 0.38um MIN GOLD PLATING OVER 1.27um MIN  
 MATTE NICKEL BASED-PLATING ON CONTACTING AREA,  
 PLATING SPEC OF P/N: 2204018-3:  
 3um MIN SEMI-BRIGHT OR BRIGHT SILVER PLATING OVER 1.27um  
 MIN MATTE NICKEL BASED-PLATING ON CONTACTING AREA,

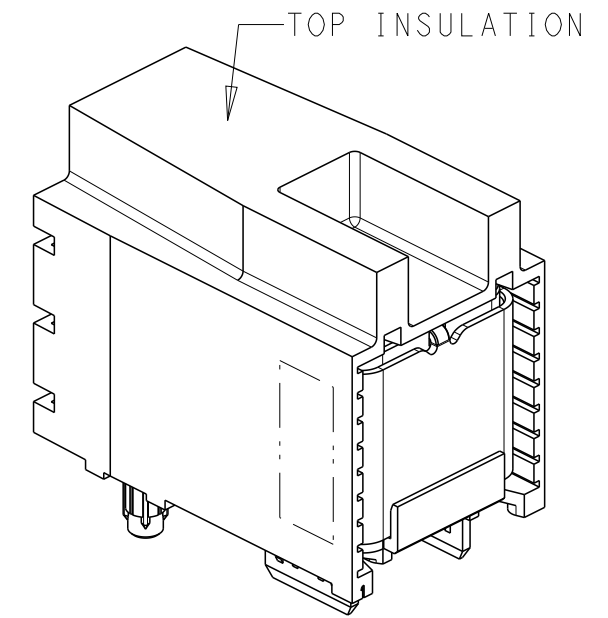


REFERENCE PRODUCT VIEW  
 P/N: 2204018-1/-3



SCALE 2:1

PRODUCT VIEW  
 P/N: 2204018-1/3



SCALE 2:1

PRODUCT VIEW W/ TOP INSULATION  
 P/N: 2204018-2

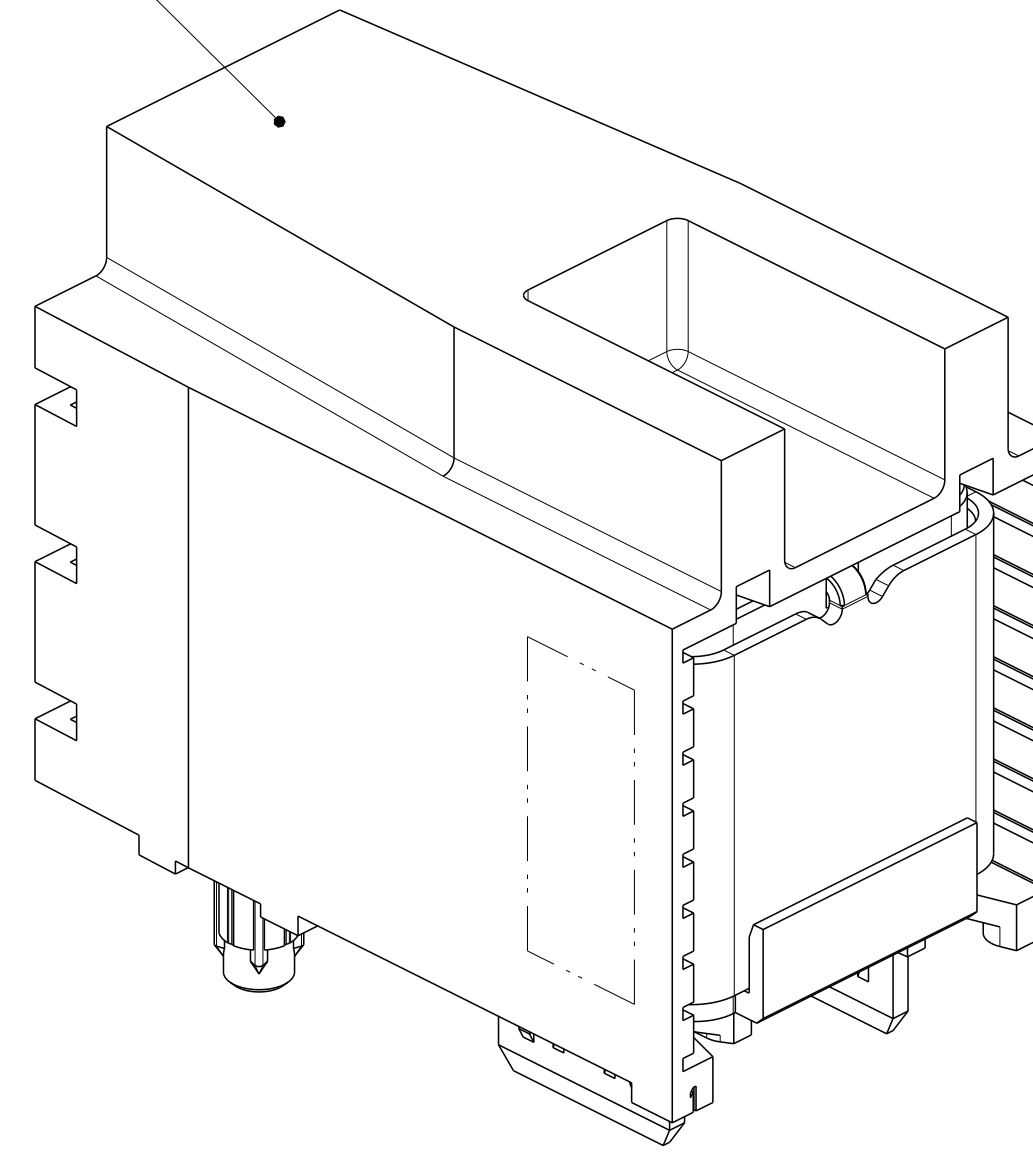
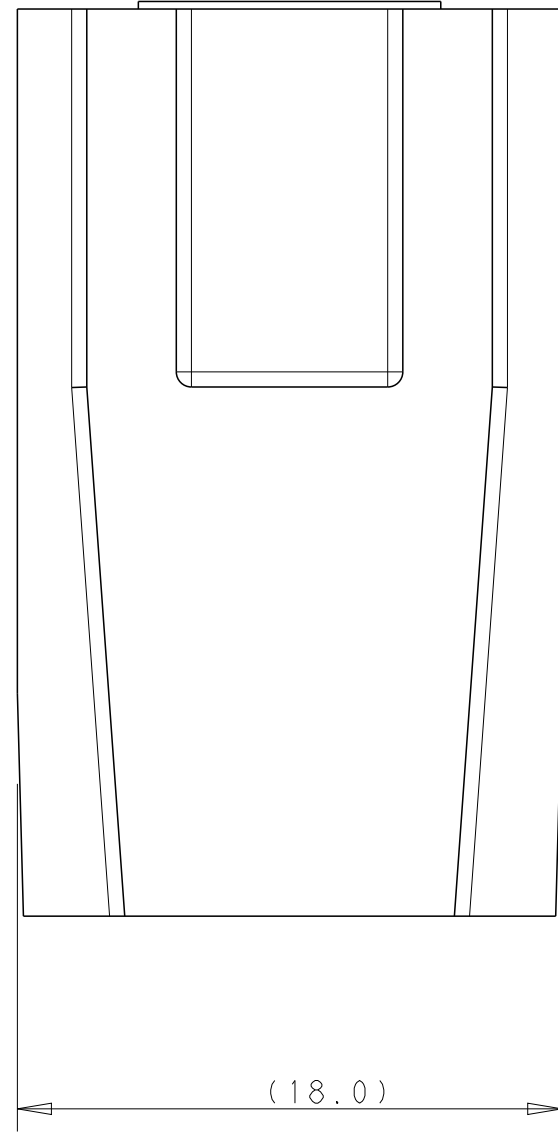
PRODUCT NUMBER	DESCRIPTION	MATING BUSBAR	ITEM
2204018-3	DUAL CROWN CLIP JUNIOR CONN, SILVER PLATING	Ag PLATING	5 3
2204018-2	DUAL CROWN CLIP JUNIOR CONN W/TOP INSULATION	Au PLATING	5 2
2204018-1	DUAL CROWN CLIP JUNIOR CONN	Au PLATING	5 1

THIS DRAWING IS A CONTROLLED DOCUMENT.		DWN	J. CHENG	11JAN2012	TE Connectivity	PLUGGABLE BUSBAR CONNECTOR SOLDER VERSION DUAL POLE CROWN CLIP JR		
DIMENSIONS: mm		CHK	S. ZHAO	11JAN2012		NAME	SIZE	CAGE CODE
TOLERANCES UNLESS OTHERWISE SPECIFIED:		APVD	S. ZHAO	11JAN2012		PRODUCT SPEC	DRAWING NO	RESTRICTED TO
0 PLC ± -		APPLICATION SPEC		WEIGHT		A2	00779	C-2204018
1 PLC ±0.25		MATERIAL		CUSTOMER DRAWING	SCALE	4:1	SHEET 1 OF 3	
2 PLC ±0.15							REV A2	
3 PLC ±0.05								
4 PLC ± -								
ANGLES ± °								
FINISH								

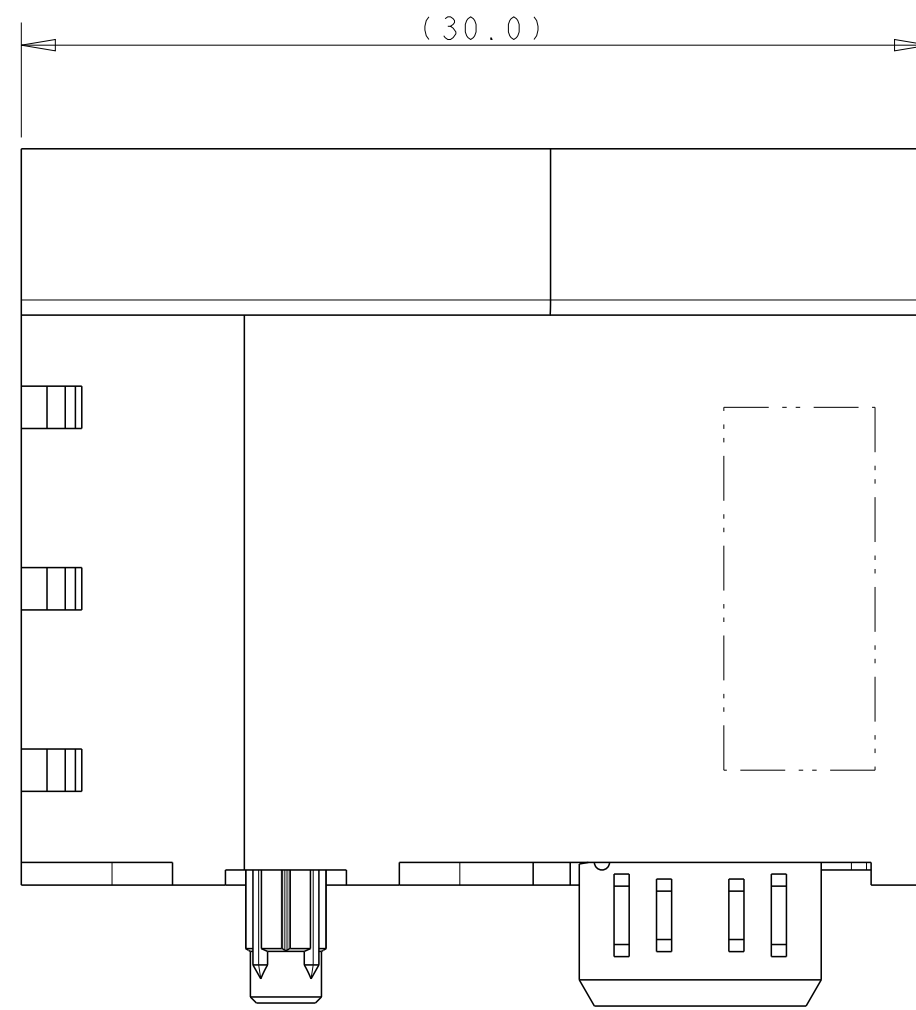
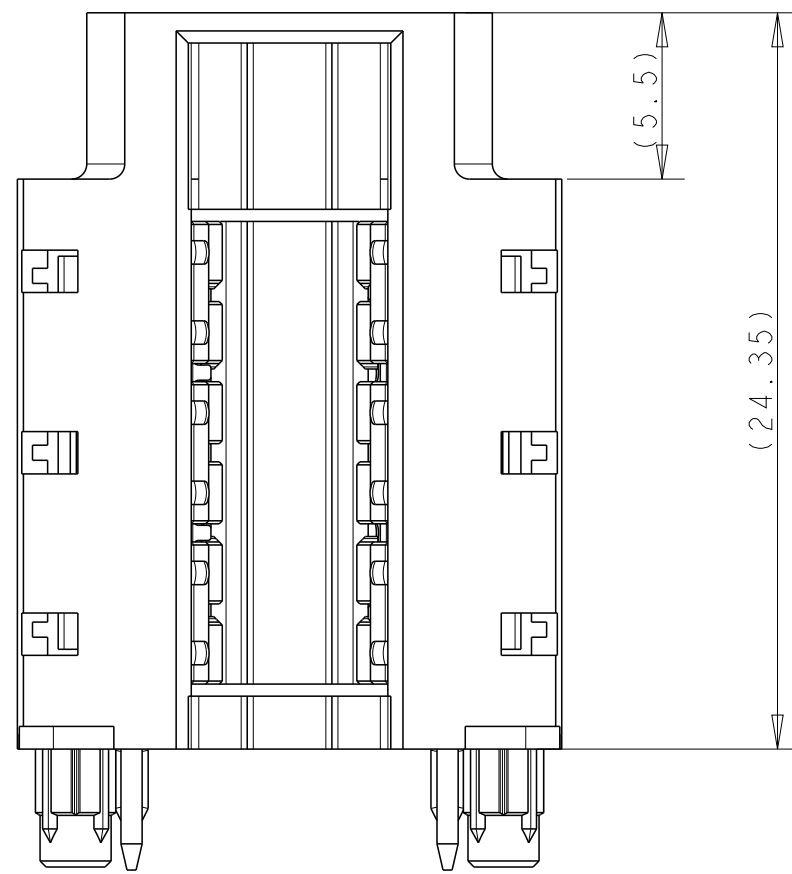
THIS DRAWING IS UNPUBLISHED. RELEASED FOR PUBLICATION 2011  
 © COPYRIGHT 2011 ALL RIGHTS RESERVED.

LOC		DIST		REVISIONS			
P	LTR	DESCRIPTION		DATE	DWN	APVD	
-	-	SEE SHEET 1		-	-	-	

TOP INSULATION FEATURE



SCALE 4:1

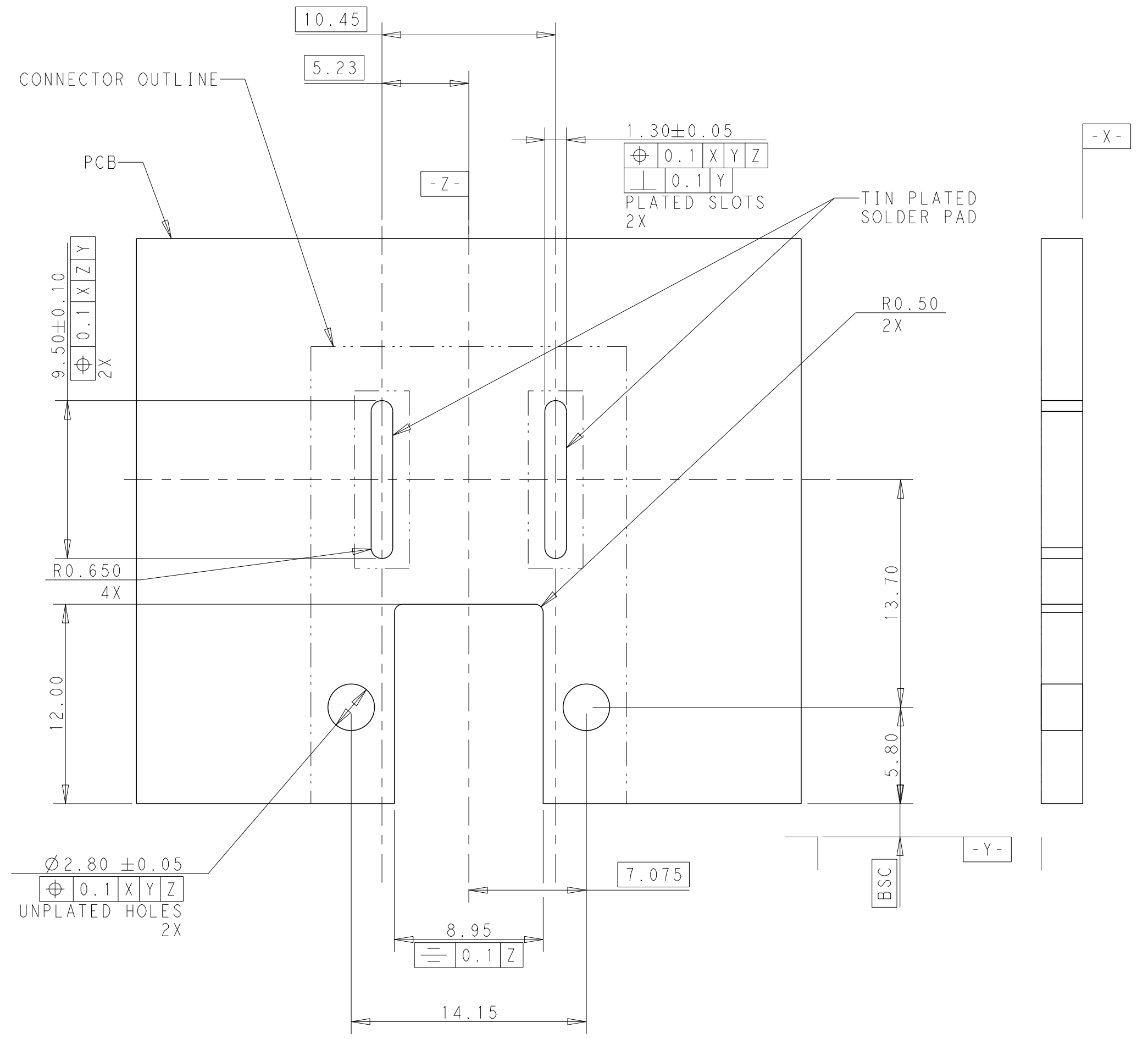
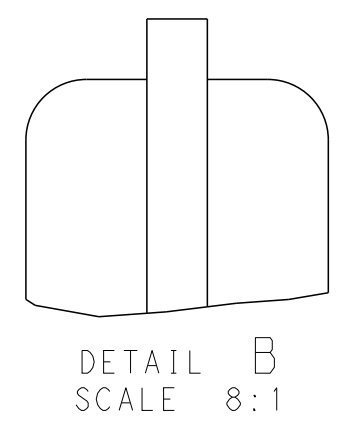
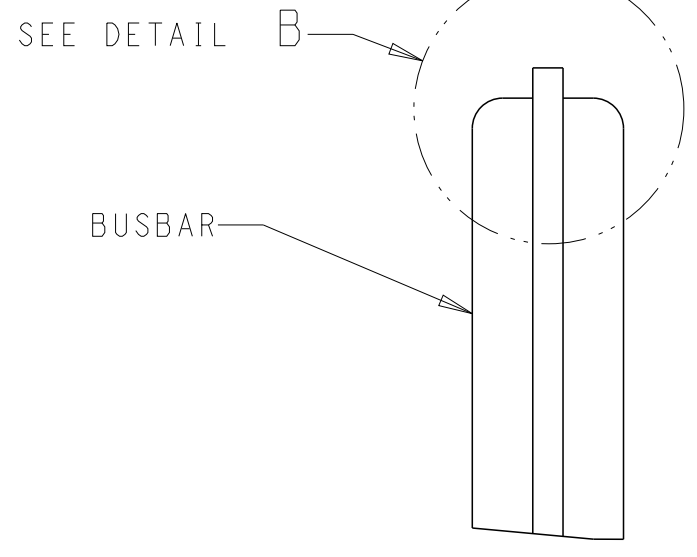
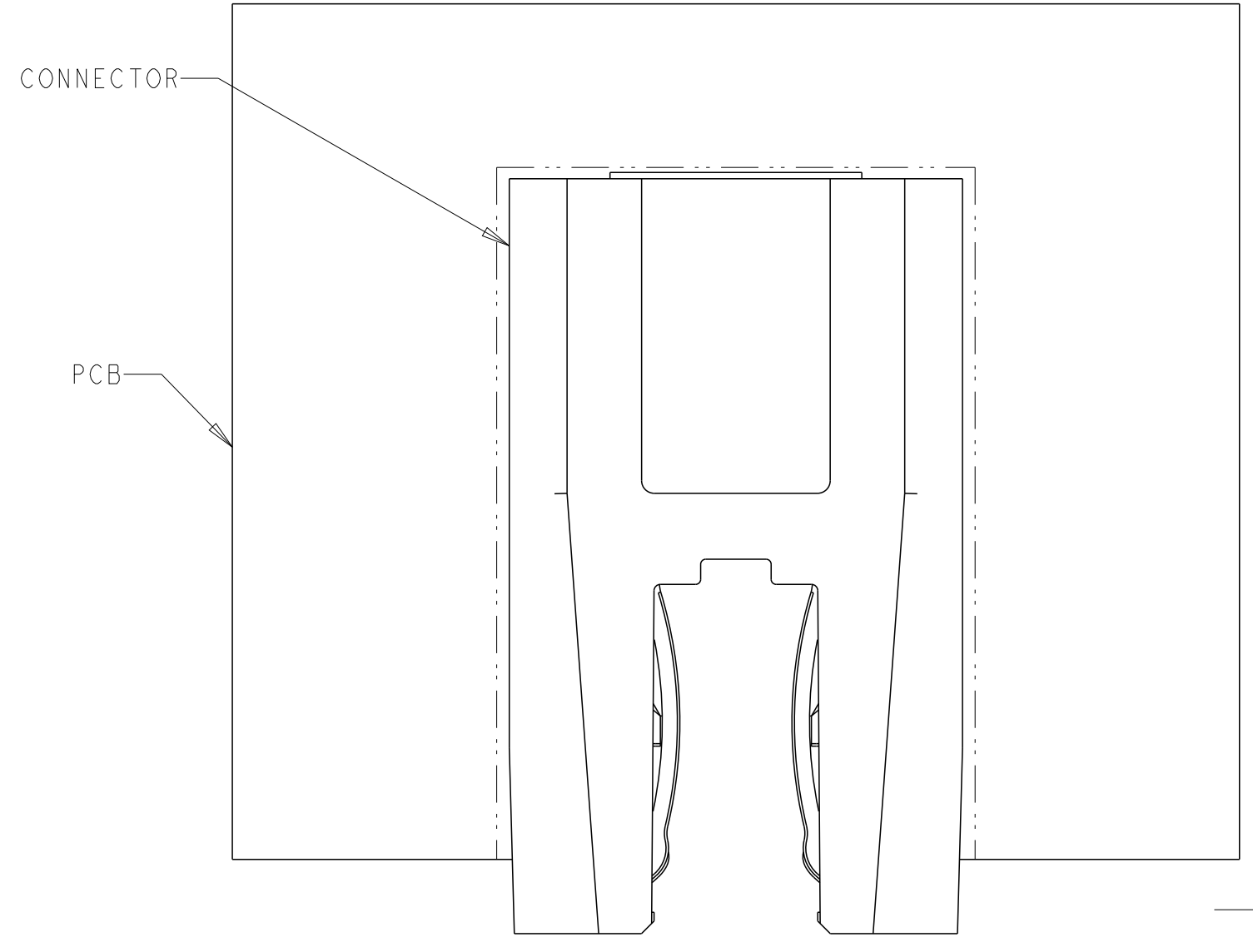


REFERENCE PRODUCT VIEW  
 P/N: 2204018-2  
 THE DIFFERENCE WITH P/N 2204018-1 IS TOP INSULATION FEATURE  
 SCALE 4:1


THIS DRAWING IS A CONTROLLED DOCUMENT.		DWN	J. CHENG	11JAN2012	 TE Connectivity
		CHK	S. ZHAO	11JAN2012	
		APVD	S. ZHAO	11JAN2012	
		PRODUCT SPEC			
DIMENSIONS: mm		TOLERANCES UNLESS OTHERWISE SPECIFIED: 0 PLC ± - 1 PLC ±0.25 2 PLC ±0.15 3 PLC ±0.05 4 PLC ± - ANGLES ±1°		NAME PLUGGABLE BUSBAR CONNECTOR SOLDER VERSION DUAL POLE CROWN CLIP JR	
		MATERIAL material_2		FINISH finish_spec_2	
		APPLICATION SPEC -		SIZE A2	
		WEIGHT -		CAGE CODE 100779	
		CUSTOMER DRAWING		DRAWING NO C-2204018	
		SCALE 4:1		RESTRICTED TO -	
		SHEET 2 OF 3		REV A2	

THIS DRAWING IS UNPUBLISHED. RELEASED FOR PUBLICATION 2011  
 © COPYRIGHT 2011 ALL RIGHTS RESERVED.

LOC		DIST		REVISIONS			
P	LTR	DESCRIPTION		DATE	DWN	APVD	
-	-	SEE SHEET 1		-	-	-	



RECOMMENDED PCB LAYOUT THICKNESS: 1.6-2.5MM

THIS DRAWING IS A CONTROLLED DOCUMENT.		DWN	J. CHENG	11JAN2012	 TE Connectivity
DIMENSIONS: mm		CHK	S. ZHAO	11JAN2012	
TOLERANCES UNLESS OTHERWISE SPECIFIED:		APVD	S. ZHAO	11JAN2012	
0 PLC ± - 1 PLC ±0.25 2 PLC ±0.15 3 PLC ±0.05 4 PLC ± - ANGLES ±1° FINISH -		PRODUCT SPEC	NAME		
MATERIAL	material_2	APPLICATION SPEC	SIZE		A2
CUSTOMER DRAWING		WEIGHT	CAGE CODE		00779
SCALE		DRAWING NO		RESTRICTED TO	
2:1		G-2204018		-	
SHEET		3 OF 3		REV	
3		A2			