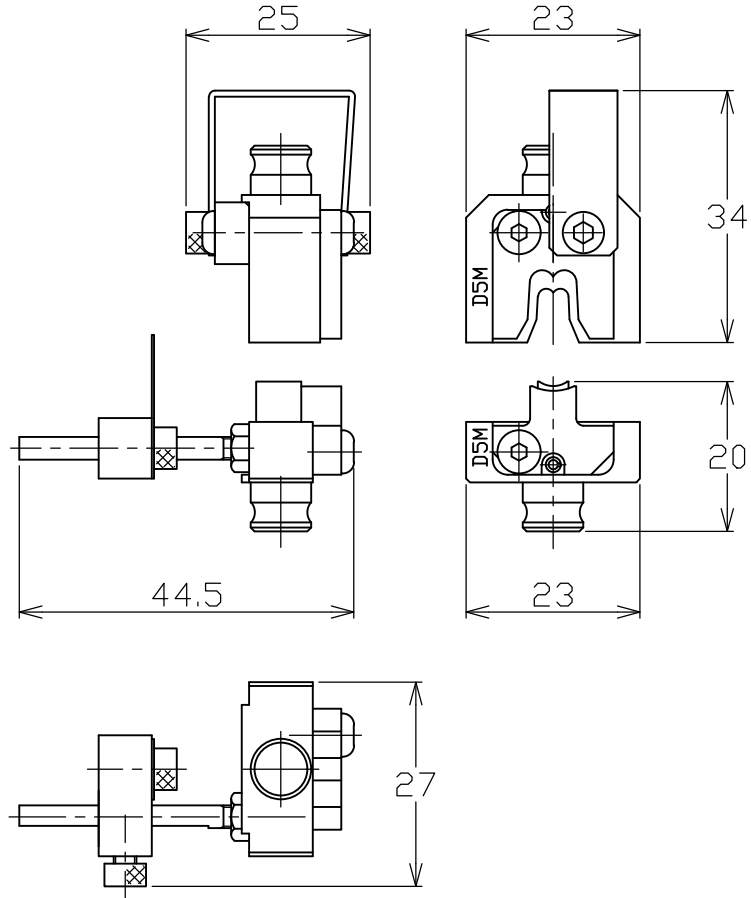


REVISIONS					
P	LTR	DESCRIPTION	DATE	DWN	APVD
	B2	ECR-20-002538	25FEB2020	SN	JS

TERMINAL No.	WIRE SIZE (mm ²)	AWG#	INS. RANGE (mm)	TERMINAL CH (mm)		APPL. SPEC.
				WIRE	INS.	
316041-2 316041-3 316041-6 917805-2 917805-3	3.08-4.60	#12	ø4.0-ø5.2	2.26-2.43	4.65-5.69	114-5206
	4.60-5.50	#10		2.26-2.75		



TE Connectivity. All Rights Reserved.

PART No.	REMARKS
2155503-1	D5000-M

DIMENSIONS: mm	DWN S.NAKA 11MAY2012	MATERIAL -	FINISH -		
	CHK S.NAKA 11MAY2012	TE Connectivity			
TOLERANCES UNLESS OTHERWISE SPECIFIED:	APVD J.KOGA 11MAY2012			NAME DIES, D5-M, TE REC-Li60	
0 PLC ± 0.1	PRODUCT SPEC -	SIZE A4	CAGE CODE 00779	DRAWING NO C-2155503	RESTRICTED TO -
1 PLC ± 0.1	APPLICATION SPEC -	WEIGHT Approx. 66g			
2 PLC ± 0.05		CUSTOMER DRAWING		SCALE 1:1	SHEET 1 OF 1
3 PLC ± 0.03				REV B2	
4 PLC ±					
ANGLES ± 0°30'					

